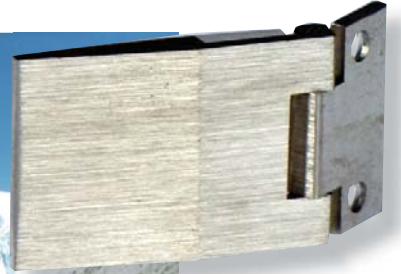


SISO GLASS

fittings



- high quality furniture fittings



The technical descriptions and dimensions in this catalogue, also those with the photographs and drawings, are not binding. We reserve the right to make design improvements.

We bear no liability for any misprints or other errors that might occur in the production of the catalogue.

SISO A/S tager forbehold for trykfejl samt ændringer i produktets specifikationer.

Für Druckfehler und Irrtümer ist jede Haftung ausgeschlossen. Produktänderungen behalten wir uns vor.



- high quality furniture fittings

SISO A/S
MILEPARKEN 11
DK - 2740 SKOVLUNDE
(COPENHAGEN)
DENMARK
PHONE: (+45) 45 830 900
FAX: (+45) 45 830 444

DISTRIBUTOR

CONTENTS

- high quality furniture fittings

SISO
DENMARK

GLASS CONNECTORS	3-5
GLASS DOOR LOCK & ACCESSORIES	6-22
SHELF SUPPORTS FOR GLASS	23-27
CABLE SIGN SYSTEM	28-29
ADJUSTABLE SHELF SUPPORT „PELICANS“	30-31
”SLOPE” SHELF BRACKET	32-33
GLASS CLAMPS	34-40
BALUSTER POSTS	41-45
CANOPY FITTINGS	46
MAGNETIC TOUCH LATCHES	47-48
STRIKING PLATES	49
GLASS DOOR HINGES - DRILLING	50-59
BUTT HINGES FOR UV-GLUE	60-61
GLASS PIVOT HINGE - NO DRILLING	62-64
GLASS DOOR HINGES - NO DRILLING	64-65
GLASS DOOR PULL F/SLIDING DOORS	66
GLASS DOOR HANDLE - NO DRILLING	66
ACCESSORIES F/MIRRORS	67
SIGNBOARD SCREWS & HOLDERS	68-69
ALUMINIUM SHELVES W/LED & ALU PROFILES	70-71
SUCTION PADS & BUMPERS	71
DISCS & LEGS F/GLASS TABLE TOPS	72



CONTENTS

TWISTER - THE LEG CONNECTOR 73-74

SHELVING LEG SYSTEM "THE POST"..... 75

SAUNA HINGES & ACCESSORIES FOR SAUNA DOORS76-80

GLASS DOOR HINGES & SHOWER DOOR HINGES81-97 & 103-104

SHOWER CLAMPS 98-103

SUPPORT BARS & ACCESSORIES 105-115

SHOWER DOOR KNOBS & HANDLES 116-118

DOOR HANDLES SS-304119-122

PVC SEALS FOR SHOWER DOORS123-124

ALUMINIUM U-CHANNELS & ACRYLIC GLASS CONNECTING PROFILES .. 125

DROP DOWN PROFILES FOR DOORS126-128

GLASS SEALING PVC SYSTEMS FOR SLIDING DOORS129-131

SLIDING DOOR SYSTEM FOR GLASS DOORS132-136

FOLDING GLASS DOOR SYSTEM 137-138

SISO SAN - TOILET ACCESSORIES139

TOILET CUBICLE FITTINGS 140-147

FLOOR SPRINGS & PATCH FITTINGS148-161

LOCKS & HANDLES FOR GLASS DOORS162-169 & 171-172

GLASS CALCULATION169

DOOR STOPPERS173-174

ALU PROFILE GLASS WALL SYSTEMS175-179

SOFT CLOSE GLASS DOOR HINGES & FLOOR HINGES180-185



GLASS CONNECTORS - TYPE „MAXI“ ZAMAK - GLASS THICKNESS 4-6 MM

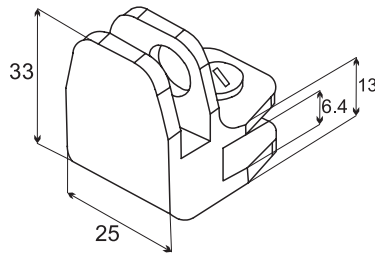
- high quality furniture fittings



GLASS CONNECTOR 2-WAY 90°

33 x 33 x 25 mm height

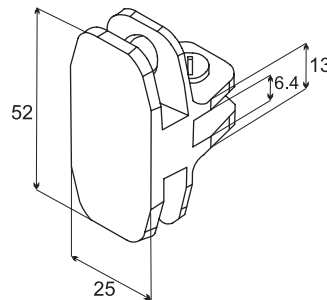
Chrome plated # 22.10.100
Black anodized # 22.10.102
Alu finish # 22.10.103



GLASS CONNECTOR 3-WAY T-JOINT

52 x 33 x 25 mm height

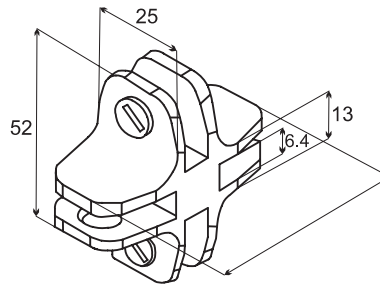
Chrome plated # 22.10.110
Brass plated # 22.10.111
Black anodized # 22.10.112
Alu finish # 22.10.113



GLASS CONNECTOR 4-WAY 90°

52 x 52 x 25 mm height

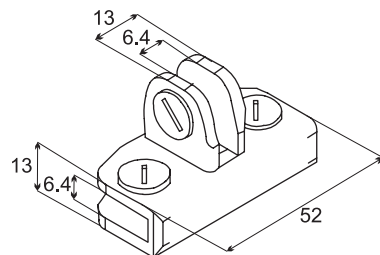
Chrome plated # 22.10.120
Brass plated # 22.10.121
Black anodized # 22.10.122
Alu finish # 22.10.123



GLASS CONNECTOR 3-WAY T-JOINT

Closed end - bottom/top connector

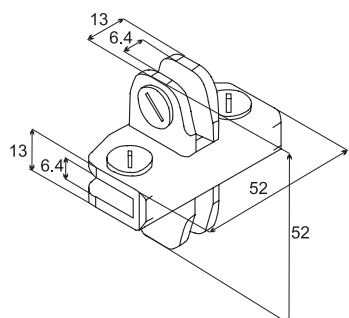
Chrome plated # 22.10.130
Brass plated # 22.10.131
Black anodized # 22.10.132



GLASS CONNECTOR 4-WAY 90°

Closed end - bottom/top connector

Chrome plated # 22.10.140
Brass plated # 22.10.141
Black anodized # 22.10.142



GLASS CONNECTORS - TYPE „MINI“

ZAMAK - GLASS THICKNESS 4 - 5.5 MM

GLASS CONNECTOR HINGE

60 mm open width x 40 mm height.

Chrome plated # 22.10.010
 Brass plated # 22.10.011
 Black anodized # 22.10.012



GLASS CONNECTOR HINGE

60 mm open width x 22 mm height.

Chrome plated # 22.10.020
 Black anodized # 22.10.022



GLASS CONNECTOR 2-WAY - 90°

33 x 33 mm x 22 mm height

Chrome plated # 22.10.060
 Brass plated # 22.10.061
 Black anodized # 22.10.062



GLASS CONNECTOR 3-WAY - T-JOINT

52 x 34 mm x 22 mm height

Brass plated # 22.10.041
 Black anodized # 22.10.042



GLASS CONNECTOR 4-WAY - 90°

52 x 52 mm x 22 mm height

Chrome plated # 22.10.050
 Brass plated # 22.10.051
 Black anodized # 22.10.052



GLASS CONNECTOR 4-WAY - 90°

52 x 52 mm x 22 mm height
 bottom mounted connector

Chrome plated # 22.10.055



GLASS/GLASS CONNECTOR #CLAW" 2-WAY

- high quality furniture fittings

Application

Connecting glass plates
Drilling required

Material

2 mm steel, nickel plated

Size: 35 x 35 mm

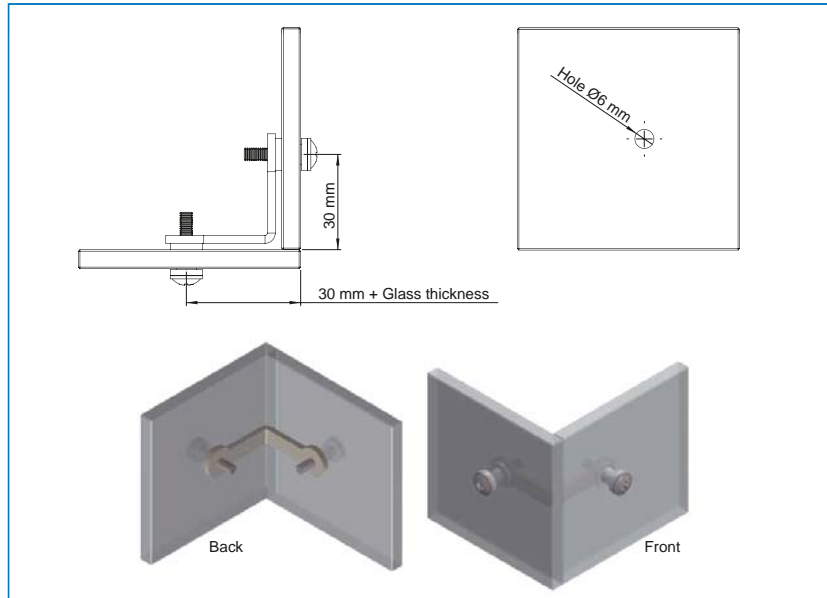
Bore hole: \varnothing 6 mm

Bore distance: 30 mm from
centre to edge + glass thickness

Glass thickness: 4 - 8 mm

Item No.: # 22.10.090

Inclusive transparent tube & washers



GLASS/GLASS CONNECTOR #CLAW" 3-WAY

Application

Connecting glass plates
Drilling required

Material

2 mm steel, nickel plated

Size: 35 x 35 x 35 mm

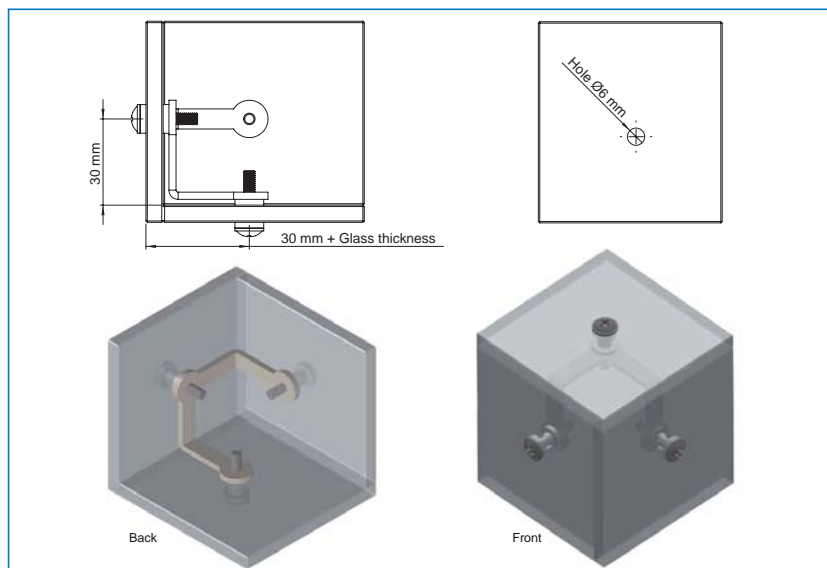
Bore hole: \varnothing 6 mm

Bore distance: 30 mm from
centre to edge + glass thickness

Glass thickness: 4 - 8 mm

Item No.: # 22.10.091

Inclusive transparent tube & washers



GLASS DOOR LOCK „MINI“ SLIDING DOORS

MODEL „MINI“

Finish
Chrome plated

Application
Glass sliding door

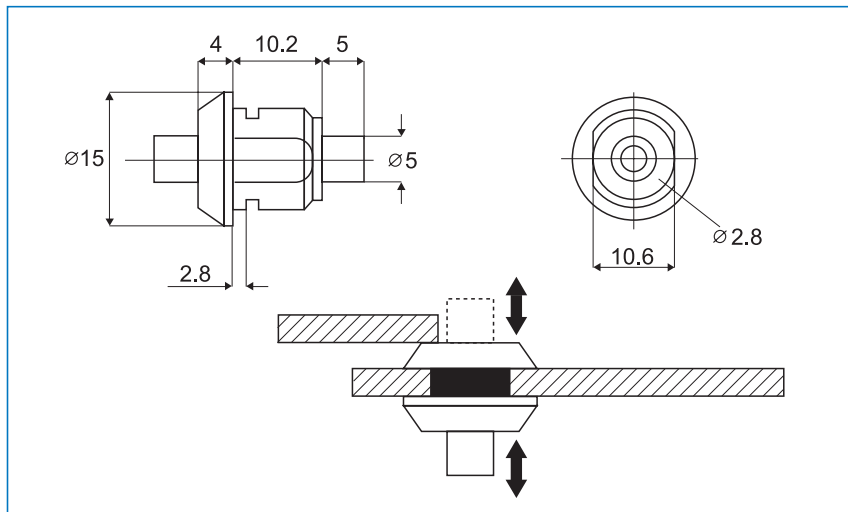
Accessories for 1 set
1 lock
2 car keys
1 nut

Function
to lock - push the cylinder
to unlock - turn key

200 key combinations # 14.03.040
key alike # 14.03.041

Options
15 000 key combinations

Packing
100 pcs per box
5 box per export carton



BRASS GLASS DOOR LOCK „SWAN“ FOR 8-10 MM GLASS

MODEL „SWAN“

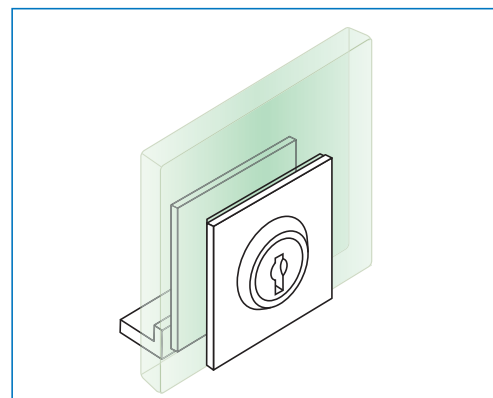
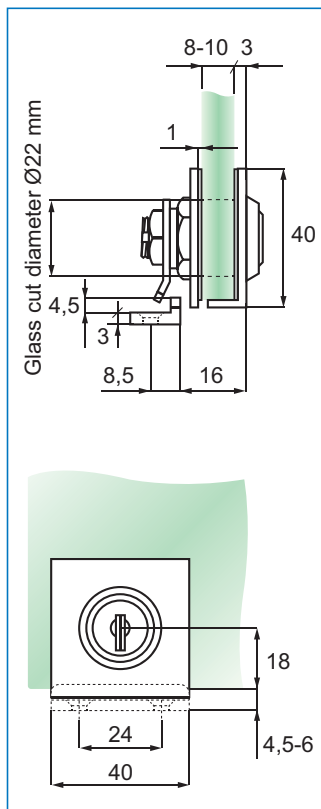
Finish
Gold plated # 14.09.000
Chrome plated # 14.09.001

Material
Brass

Consists of:
1 cylinder $\varnothing 20 \times 23$ mm
1 front plate w/bottom support
40 x 40 mm
1 back plate 40 x 40 mm
2 SISO metal keys, key alike
2 transparent cushions
1 hexagonal nut
1 off-set brass cam
1 raised brass striker

Function
Turn key 180° to lock or unlock

Packing
100 pcs per export carton



GLASS DOOR LOCK „AUDIO“ - NO DRILLING

- high quality furniture fittings



MODEL „AUDIO“

Finish

Plastic black # 14.09.256

Application

Hinged glass doors
particularly for audio/hi-fi cabinets
No boring required

Accessories for one set

- 1 lock
- 1 washer
- 2 screws
- 2 keys

Function

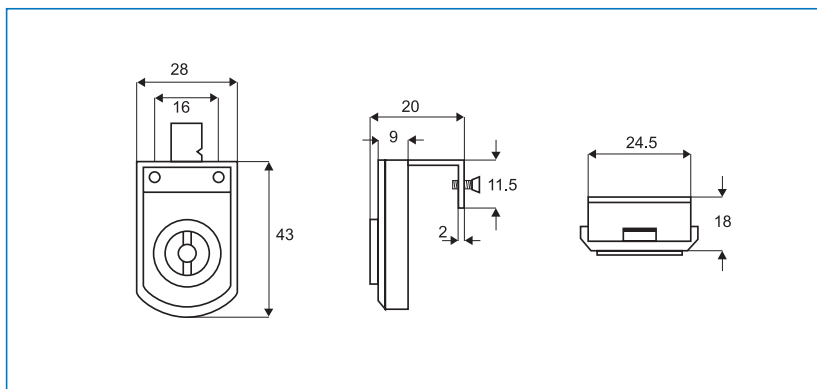
Turn key 180°
to lock or unlock

Specification

Plastic/metal combination
one key change only

Packing

500 pcs per export carton



GLASS DOOR LOCK #409 SLIDING DOORS

MODEL # 409

Finish

Brass, chrome plated

Application

Glass sliding doors

Accessories for one set

- 1 plug - in cylinder
- 1 housing (2 parts)
- 2 rubber washers
- 2 screws
- 2 keys

Function

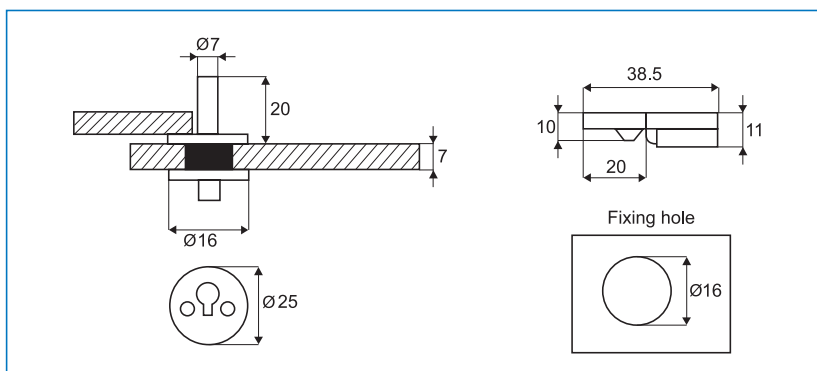
Place cylinder into lock case,
turn and remove key,
key removable in locked
position only

Specification

Brass lock
25 key combinations # 14.09.300
or key alike # 14.09.315

Packing

500 pcs per export carton
25 pcs per box



GLASS DOOR LOCK VITRIO „M“ - HINGED DOORS

MODEL „VITRIO“

Finish

Chrome plated	# 14.09.350
Alu finish	# 14.09.352
Gold plated	# 14.09.353
Black anodized	# 14.09.351
Brass plated	# 14.09.360

Application

Double hinged glass doors
Accessories for one set

A) left door

- 1 decorative cylinder
- 1 stainless steel front plate
- 1 hexagonal nut
- 1 plastic washer

B) right door

- 1 off-set hook cam
- 1 stainless steel front plate
- 1 hexagonal nut
- 1 plastic washer
- 2 car keys

Function

Turn key 90° to lock
or unlock

Specification

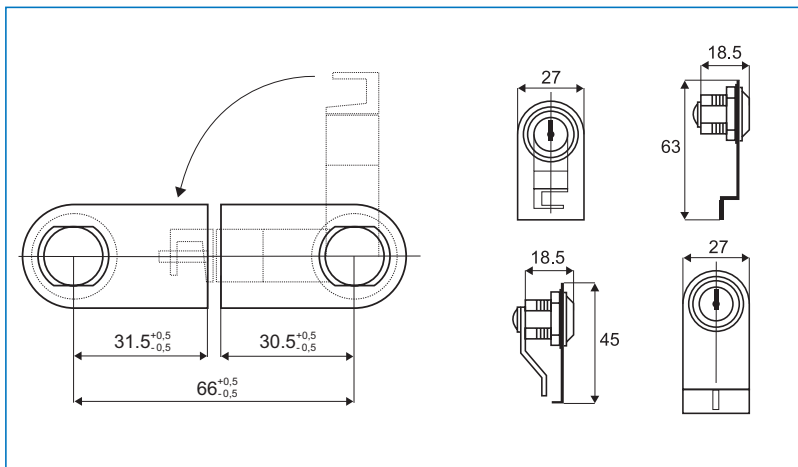
Cylinder zamak
front plates stainless steel
400 key combinations or key alike

Option

Master key system

Packing

300 pcs per export carton
25 pcs per box



GLASS DOOR LOCK NO. 750

MODEL X-750

Finish

Chrome plated - 100 mm	# 14.09.025
Chrome plated - 132 mm	# 14.09.031
Chrome plated - 135 mm	# 14.09.029

Application

Glass sliding doors

Accessories for one set:

- 1 removable lock
- 1 ratchet 100 or 132 mm
- 1 screw w/protection pad
- 2 metal keys

Function

Mount ratchet into lock flat
end facing the fastening screw
(see illustration).

Turn key 180° and remove key
to activate the lock

Specification

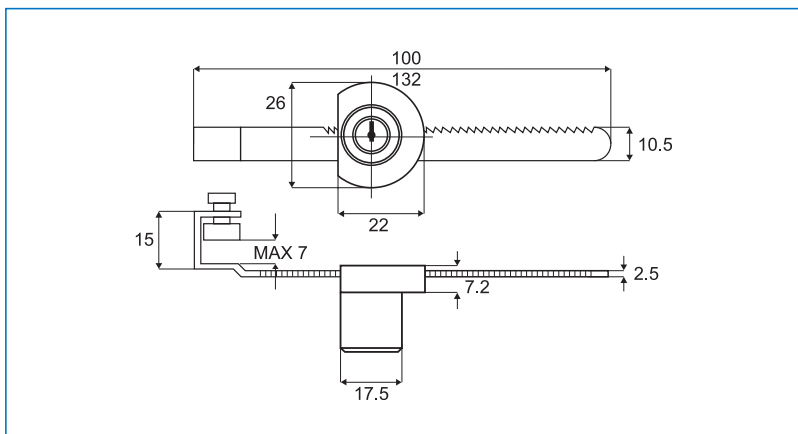
Zamak lock
Ratchet steel
25 key combinations

Option

Master key or key alike

Packing

240 pcs per export carton
12 pcs per box



PUSH BUTTON LOCK #8600 „M“ F/DOUBLE SLIDING GLASS DOORS

- high quality furniture fittings



MODEL # 8600

Finish

Chrome plated # 14.09.420

Alu finish # 14.09.423

Chrome w/Master key # 14.09.422

Application

Double sliding glass doors
on alu rails

Accessories

1 lock cylinder 22 mm

1 grub screw for fastening

2 metal keys, double entry

Function

Push cylinder to lock

Turn key to unlock

Specification

Zamak house: 28 x 24 x 12 mm

400 key combinations or key alike

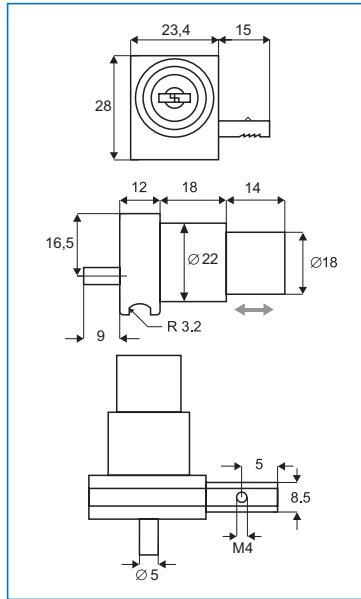
Option:

Master key

Packing:

250 pcs per export carton

25 pcs per box



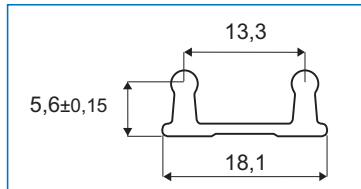
ACCESSORIES

BOTTOM TRACK

Aluminium:

Anodized # 22.26.030

Standard length: 2 metres

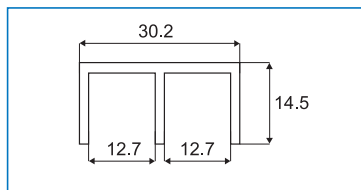


TOP E-TRACK

Aluminium:

Anodized # 22.26.010

Standard length: 2 metres



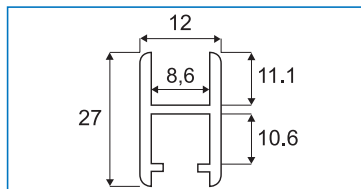
GLASS H-RAIL

Aluminium:

Anodized # 22.26.020

Standard length: 2 metres

For 5 - 6 mm glass thickness

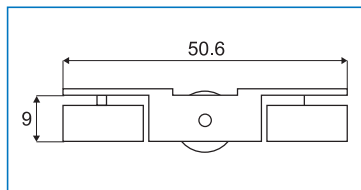


TROLLEY

w/Nylon Wheels

Nickel plated # 22.26.040

Load capacity: 3 kg



U-SPLINE PVC

22.26.060

Rolls of 100 mts

SILENCER

Plastic, clear
Bags of 100 pcs

22.26.070

END CAP ZAMAK

Chrome plated
Alu finish

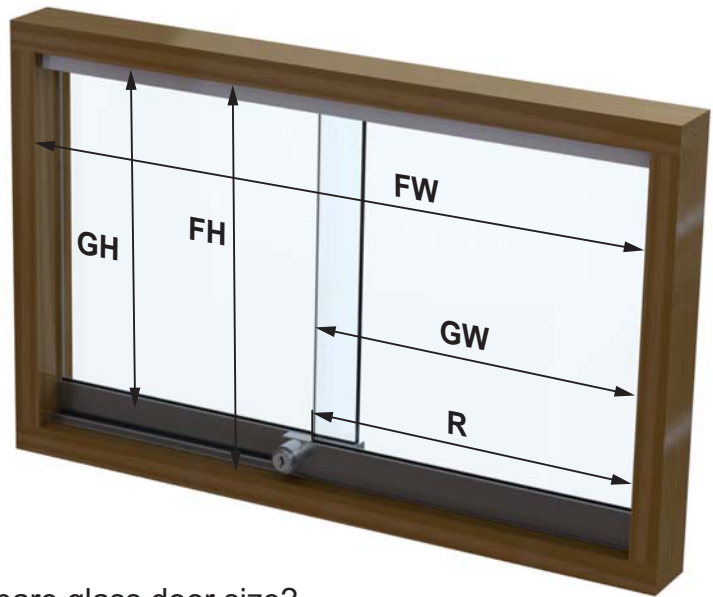
22.26.050
22.26.049



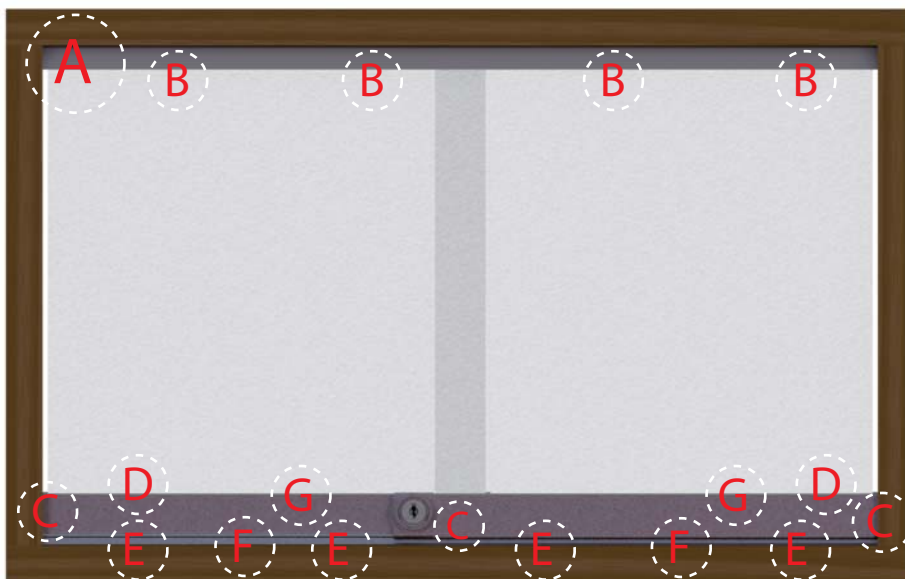
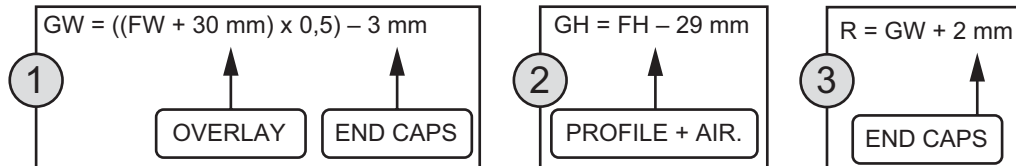
MOUNTING INSTRUCTION F/LOCK #8600

SYSTEM #8600

- FW = Frame width (inside measurement)
- GW = Glass width
- FH = Frame height (inside measurement)
- GH = Glass height
- R = Rail length



How to prepare glass door size?



- | | | | |
|---|---|---|--|
| <p>A</p> <p>TOP E-Track #22.26.010</p> | <p>B</p> <p>SILENCER #22.26.070
inside TOP E-Track</p> | <p>C</p> <p>END CAP ZAMAK #22.26.050</p> | <p>D</p> <p>U-SPLINE PLASTIC #22.26.060</p> |
| <p>E</p> <p>TROLLEY #22.26.040</p> | <p>F</p> <p>BOTTOM TRACK #22.26.030</p> | <p>G</p> <p>GLASS H-RAIL #22.26.020</p> | |

PUSH BUTTON LOCK #2010 „M“ F/DOUBLE SLIDING GLASS DOORS

- high quality furniture fittings



MODEL #2010

Finish

Alu finish	# 14.09.460
Chrome plated	# 14.09.461
Gold mat plated	# 14.09.463
Gold bright plated	# 14.09.462

Application

Double sliding glass doors
premounted on aluminium frame

Accessories for one set

- 1 cylinder push lock $\varnothing 22$ mm
- 1 universal bottom part premounted for insertion into H-rail on left or right side
- 2 grub screws for fastening onto the h-rail
- 5 allen keys for every
- 20 lock sets for tightening the grub screws
- 2 car keys, double entry

Function

Push cylinder to lock
and turn key to unlock

Specification

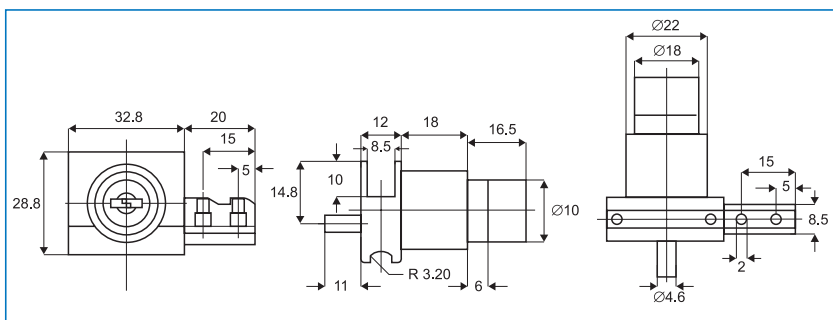
Zamak with 400 key combinations
or key alike

Option

Master key system

Packing

200 pcs per export carton
20 pcs per box



ACCESSORIES

U-SPLINE PVC
22.26.060
Rolls of 100 mts

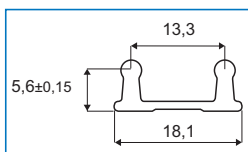
SILENCER
22.26.070
Plastic, clear
Bags of 100 pcs

END CAP ZAMAK
Chrome plated # 22.26.051
Alu finish # 22.26.052



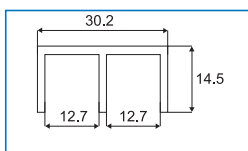
BOTTOM TRACK

Aluminium:
Anodized # 22.26.030
Standard length: 2 metres



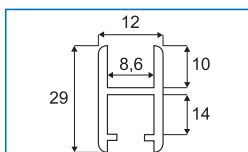
TOP E-TRACK

Aluminium:
Anodized # 22.26.010
Standard length: 2 metres

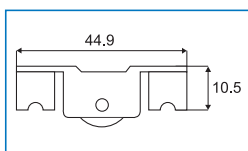


GLASS H-RAIL

Aluminium:
Anodized # 22.26.021
Standard length: 2 metres
For 5 - 6 mm glass thickness



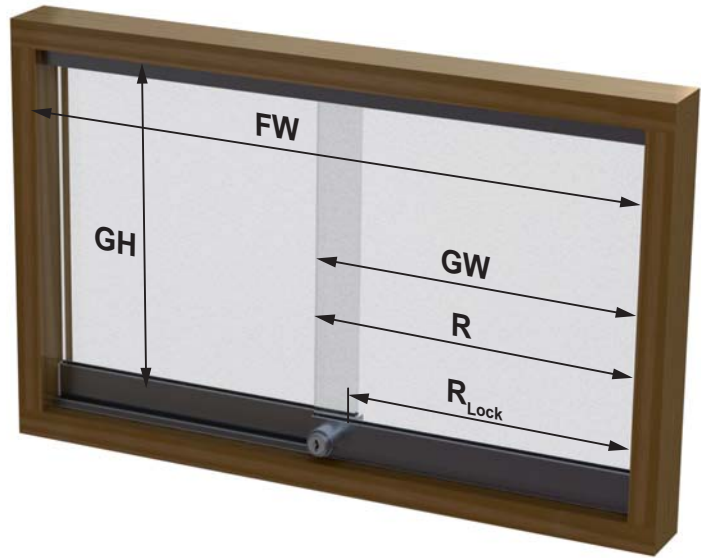
TROLLEY w/Nylon Wheels
Nickel plated # 22.26.041
Load capacity: 3 kg



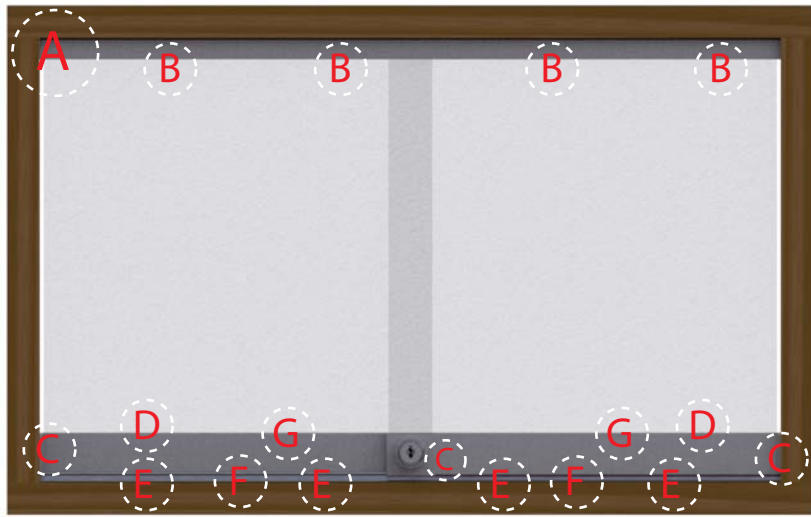
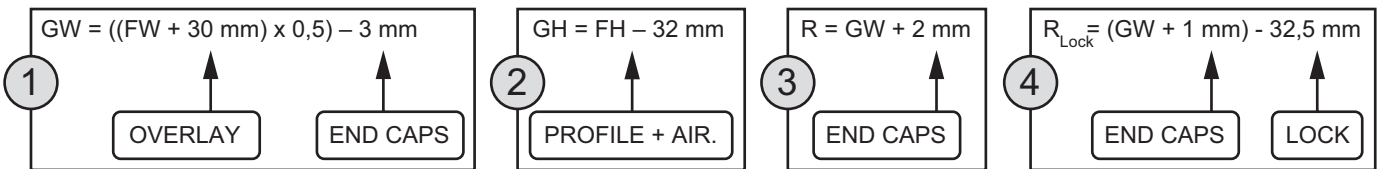
MOUNTING INSTRUCTION F/LOCK #2010








SYSTEM #2010

- FW = Frame width (inside measurement)
- GW = Glass width
- FH = Frame height (inside measurement)
- GH = Glass height
- R = Rail length
- R_{Lock} = Rail length for lock



How to prepare glass door size?



- | | | | |
|---|---|---|--|
| <p>A</p> <p>TOP E-Track #22.26.010</p>  | <p>B</p> <p>SILENCER #22.26.070
inside TOP E-Track</p>  | <p>C</p> <p>END CAP ZAMAK #22.26.051</p>  | <p>D</p> <p>U-SPLINE PLASTIC #22.26.060</p>  |
| <p>E</p> <p>TROLLEY #22.26.041</p>  | <p>F</p> <p>BOTTOM TRACK #22.26.030</p>  | <p>G</p> <p>GLASS H-RAIL #22.26.021</p>  | |

PUSH BUTTON LOCK #2740 „M“ W/STRIKER

- high quality furniture fittings



Application

Double sliding glass doors
Premounted on aluminium frame

Function

Push & turn cylinder with key to lock
& turn key to unlock.
Can be installed into H-rail
on left or right side

Specification

Zamak with 400 key combinations,
key alike or/and master key system

1 set consists of

- 1 cylinder push lock \varnothing 22 mm
with hook pin
- 1 striker
- 2 round SISO metal keys, double
entry
- 1 hex key 2 mm
- 2 grub screws for fastening
onto the H-rail

Lock #2740 w/striker

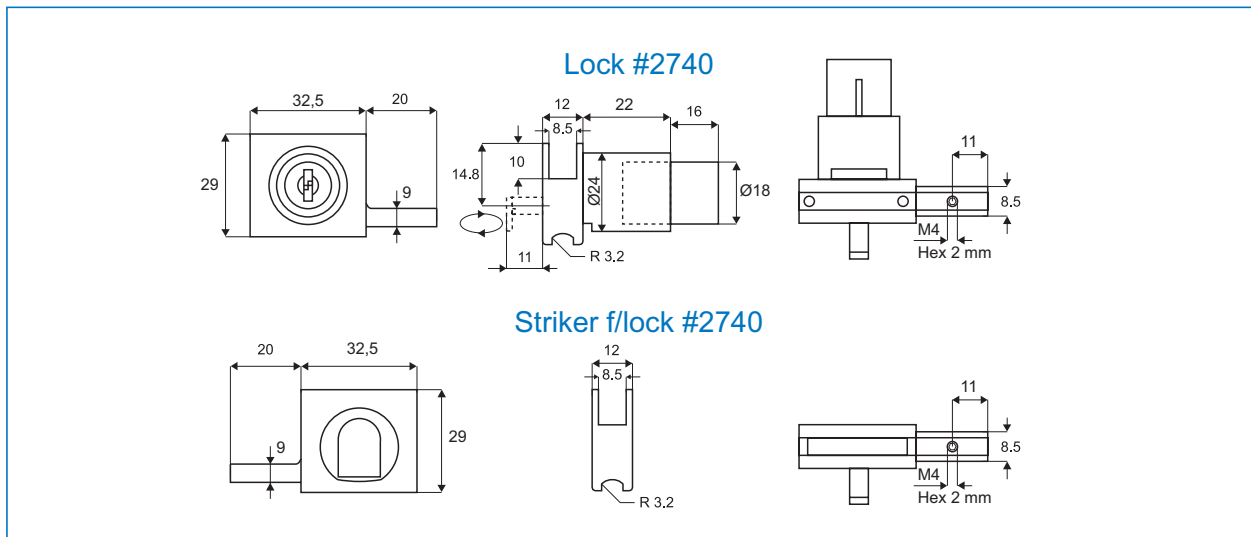
- Alu finish - key to differ # 14.09.440
- Alu finish - key alike # 14.09.441
- Alu finish - w/master key # 14.09.442

Packing

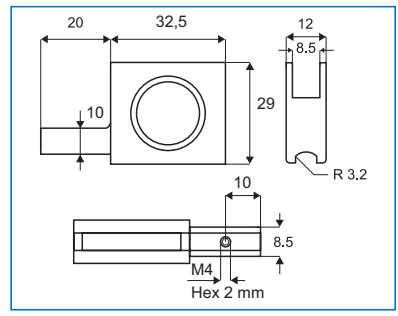
- 150 pcs per export carton
- 15 pcs per box



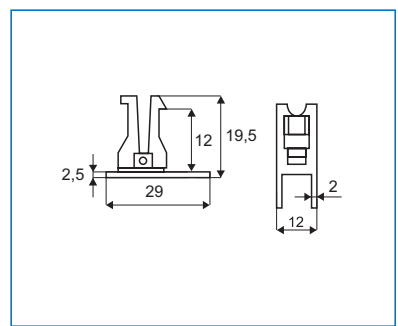
Not for sale in Germany



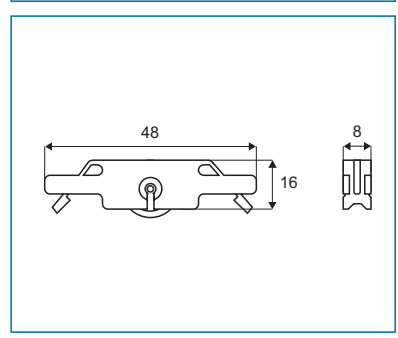
Glass door handle - Plastic
 Alu finish # 14.09.445
 F/fixing on H-rail w/grub screw



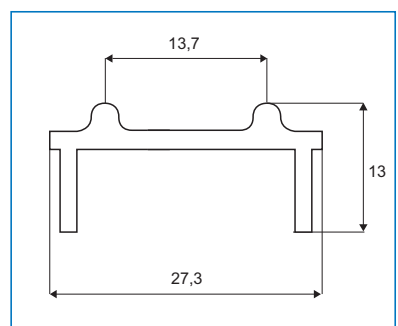
End cap - Plastic
 Alu finish # 22.26.053
 F/pressing into H-rail



Trolley - w/ball bearing
 Zinc plated # 22.26.042
 F/fixing on H-rail be use of tool # 22.26.08
 Load capacity: 5 kg pr. trolley



Bottom frame track
 Aluminium # 22.26.032
 Anodized
 2 metres length

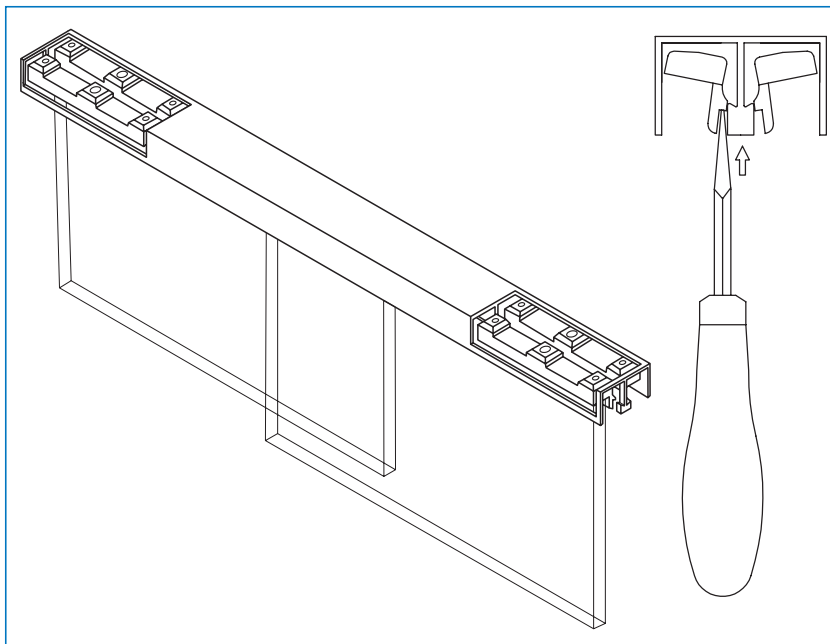


Tool for fixing trolley
 Blue # 22.26.080



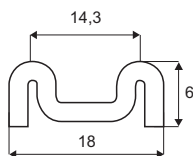
Anti-lift stopper - Plastic

Transparent # 22.26.075
F/pressing into top E-track to prevent lifting of glass



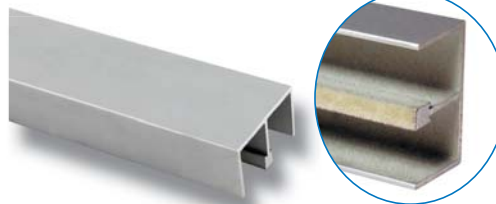
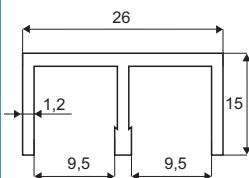
Bottom Track

Aluminium # 22.26.031
Anodized
2 metres length



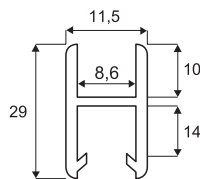
Top E-track with felt

Aluminium # 22.26.011
Anodized
2 metres length



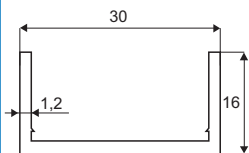
Glass H-rail f/ 5 - 6 mm glass

Aluminium # 22.26.023
Anodized
2 metres length



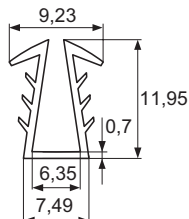
Side & bottom frame track

Aluminium # 22.26.025
Anodized
2 metres length

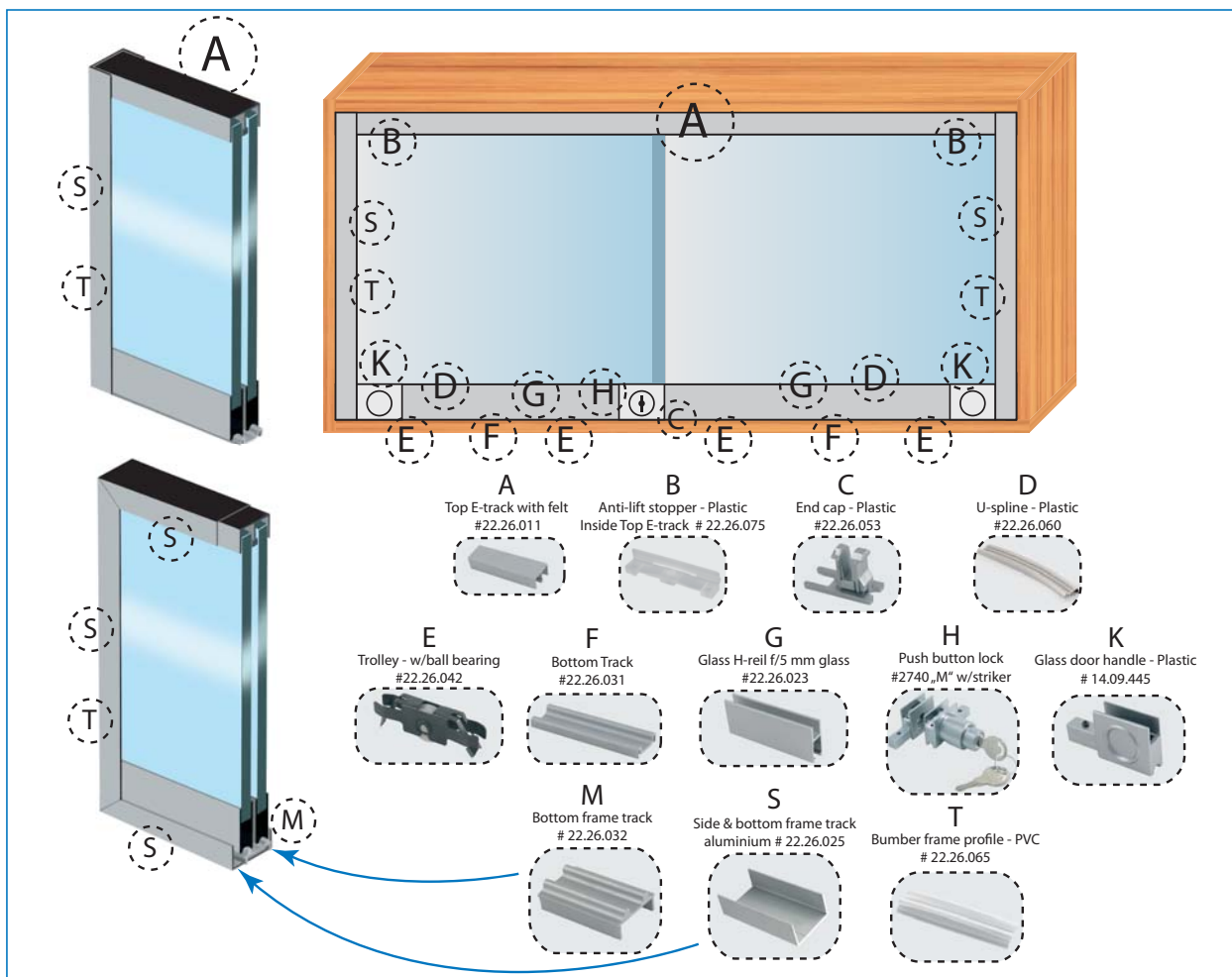
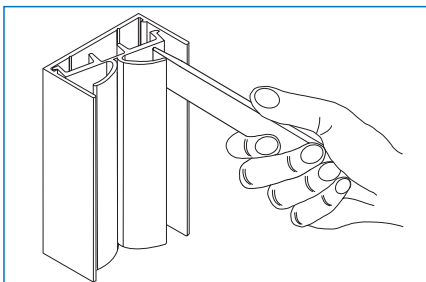


U-SPLINE PVC

Grey color #22.26.060
Rolls of 100 meters



Bumper frame profile - PVC
Transparent # 22.26.065
2 metres length



#2740 MODEL

With frame and high bottom rail (like on picture):

$$GW = ((W - 2,50 \text{ mm}) + 30 \text{ mm}) \times 0,5$$



With bumpers at the sides deduct 10 mm from the GW result.

$$GH = H - 40 \text{ mm}$$



Without frame and with low bottom rail:

$$GW = (W + 30 \text{ mm}) \times 0,5$$

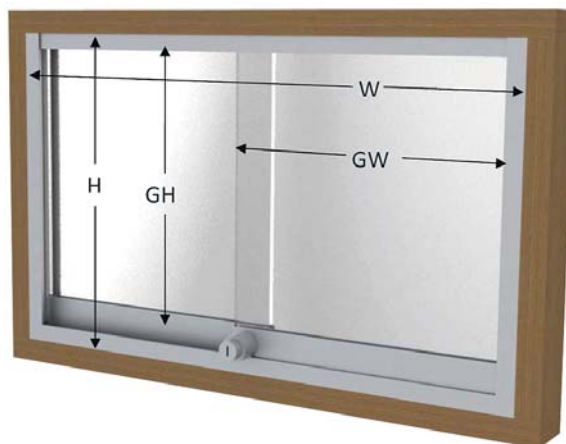


With bumpers at the sides deduct 10 mm from the GW result.

$$GH = H - 32 \text{ mm}$$



W = Inside width of frame
GW = Glass width
H = Inside height of frame
GH = Glass height



GLASS DOOR LOCK #907 „M“ - SLIDING DOORS

- high quality furniture fittings

SISO
DENMARK

MODEL #907

Finish

Chrome plated	# 14.09.417
Mat nickel plated	# 14.09.416
Gold plated	# 14.09.418
Black anodized	# 14.09.419

Application

Glass sliding doors

Accessories

- 1 lock
- 2 car keys, double entry
- 2 transparent washers

Function

Push and turn key
90° to lock or unlock

Specification

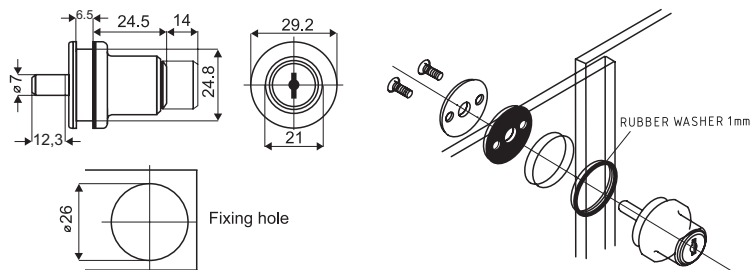
Zamak
400 key combinations or key alike

Options

Master key system

Packing

200 pcs per box



GLASS DOOR LOCK #910 „MIC“ SINGLE DOOR, HINGED

MODEL #910

Finish

Chrome plated	# 14.09.108
---------------	-------------

Application

Glass hinged doors	4-6 mm
Bore	Ø 25 mm

Accessories for one set

- 1 cylinder lock
- 5 washer (plastic & rubber)
- 1 zamak stopper
- 2 metal keys, double entry

Function

Turn key 180° to lock or unlock
- w/click sound

Specification

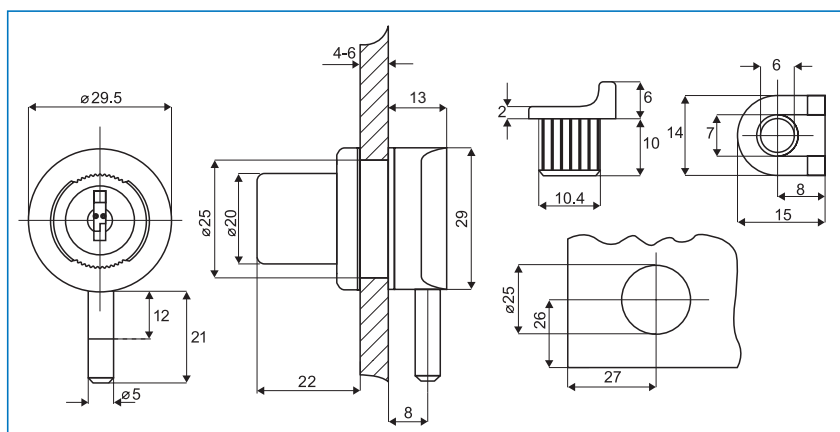
Zamak
400 key combinations or key alike

Options

Master key and
interchangeable system

Packing

240 pcs per export carton



GLASS DOOR LOCK #689 „MIC“ SINGLE DOOR, HINGED

MODEL #689

Finish

- Chrome plated # 14.09.130
- Mat nickel plated # 14.09.131
- Gold plated # 14.09.129
- Alu finish # 14.09.132
- Black anodized # 14.09.136

Application

Glass hinged doors 4-6 mm
Bore: Ø 26 mm

Accessories for one set

- 1 cylinder lock
- 5 plastic washer
- 1 zamak stopper
- 2 car keys, double entry

Function

Turn key 180° to lock
or unlock - w/click sound

Specification

Zamak
400 key combinations or key alike

Option

Master key
and interchangeable system

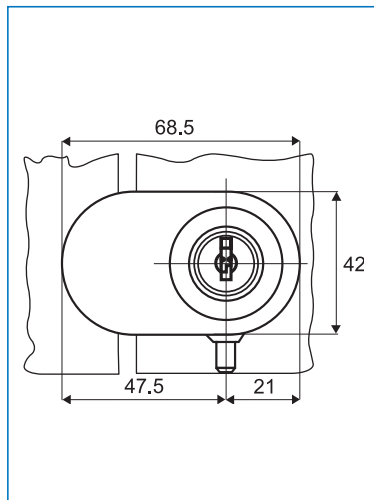
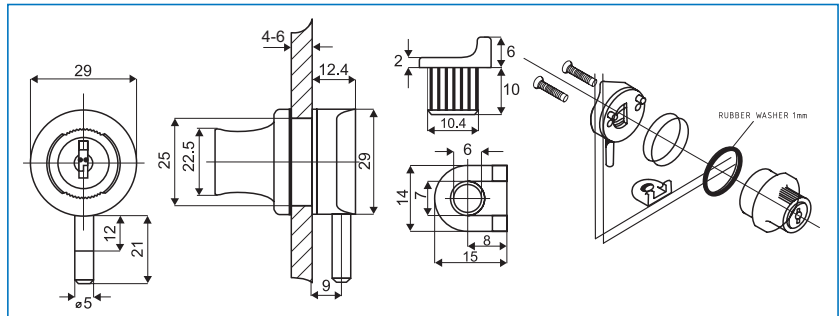
Packing

20/200 pcs per box

Option

Lock can be supplied with special designed plate for double hinged door

- Chrome plated # 14.09.170
- Mat nickel plated # 14.09.171
- Alu finish # 14.09.172
- Gold plated # 14.09.173

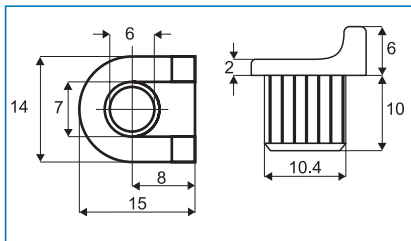


DOOR STOPPER

DOOR STOPPER w/hole

Finish: black plastic # 14.09.118

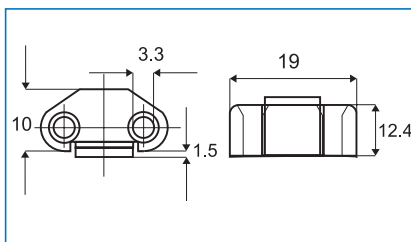
Application: inset glass door hinged
Recommended to use with locks
X-689 and 910 (as a stopper and
striking plate)



DOOR STOPPER w/bumper

Finish: black plastic # 14.09.105

Application: glass door hinged
Recommended to use with lock 0914



GLASS DOOR LOCK #916 „M“ DOUBLE OR SINGLE DOORS, HINGED

- high quality furniture fittings



MODEL #916

Finish

Black anodized # 14.09.047
 Chrome plated # 14.09.048
 Gold plated # 14.09.049

Application

Hinged glass doors 4-6 mm
 Bore Ø 19 mm

Accessories for one set

1 cam lock
 1 straight steel cam
 1 plastic washer + 1 hex nut
 1 flat striking plate: 11 x 57 mm
 2 car keys, double entry
 1 front plate zamak

Function

Turn key 180° to lock
 or unlock - w/click action

Specification

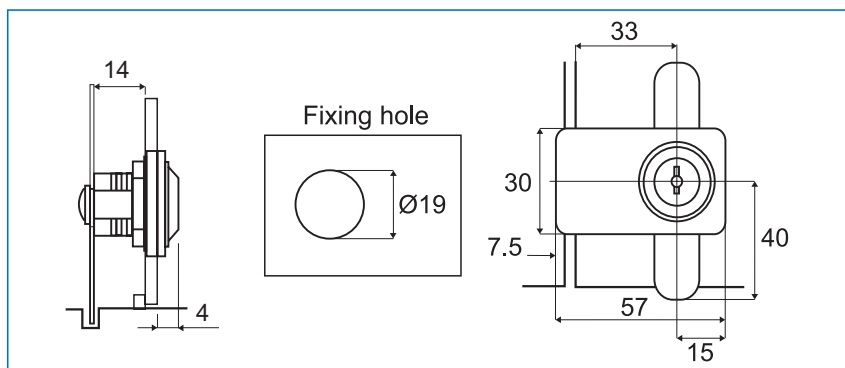
Plate & house: zamak
 400 key combinations or key alike

Option

Master key system

Packing

12 pcs per box
 240 pcs per export carton



GLASS DOOR LOCK „SAFE“ „M“ SINGLE DOOR, HINGED

MODEL „SAFE“

Finish

Chrome plated # 14.09.320

Application

Single glass door, hinged
 Bore Ø 19 mm

Accessories for one set

1 cam lock
 1 hexagonal nut
 1 plastic washer
 1 straight cam
 1 front plate
 1 flat striking plate
 2 car keys, double entry

Function

Turn key 90°
 to lock or unlock - w/click sound

Specification

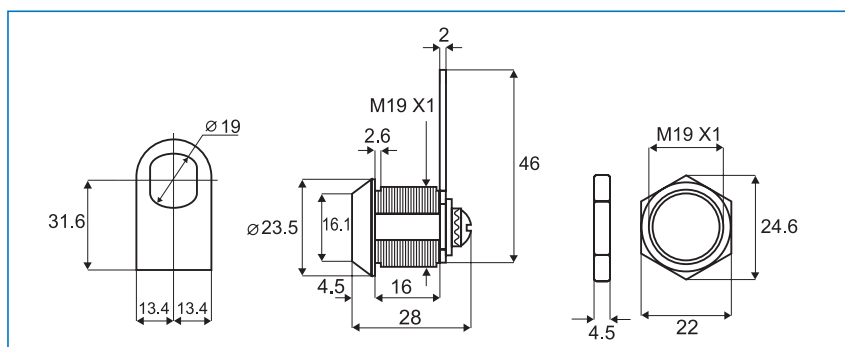
Zamak
 400 key combinations or key alike

Option

Master key system

Packing

12 pcs per box
 240 pcs per export



GLASS DOOR LOCK „VETRO“ „MIC“ SINGLE DOOR, HINGED

MODEL „VETRO“

Finish

Chrome plated	# 14.09.261
Gold plated	# 14.09.260
Black anodized	# 14.09.262

Application

Single glass door, hinged
No boring required

Glass thickness: 4 - 6 mm

Accessories for one set

- 1 lock w/front plate:
- 2 fastening screws
- 1 flat striking plate
- 2 car keys double entry
- 1 plastic distance plate

Function

Turn key 180° to lock
and reverse to unlock

Specification

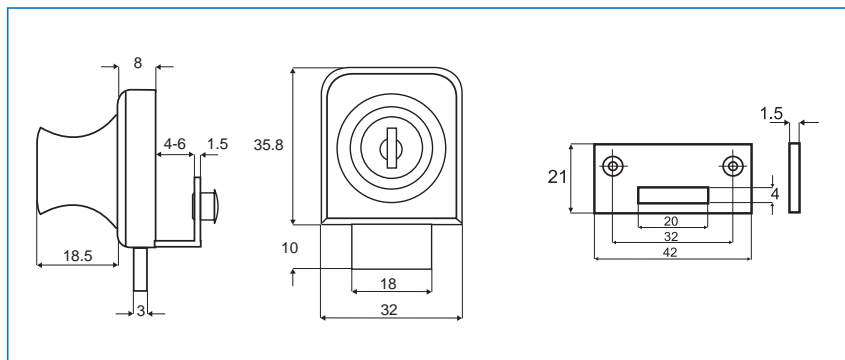
Zamak
400 key combinations
or key alike

Option

Master key
and interchangeable system

Packing

24 pcs per box
240 pcs per export carton



GLASS DOOR LOCK „VETRO-DOUBLE“ „MIC“ DOUBLE DOORS, HINGED

MODEL „VETRO-DOUBLE“

Finish

Chrome plated	# 14.09.270
Gold plated	# 14.09.271
Black anodized	# 14.09.272

Application

Double glass doors, hinged
No boring required

Glass thickness: 4 - 6 mm

Accessories for one set

- 1 lock w/front plate
- 2 fastening screws
- 1 flat striking plate
- 2 car keys double entry
- 1 plastic distance plate

Optionals

Door stopper	# 14.09.118
Spring stopper	# 14.09.119

Function

Turn key 180°
to lock and reverse to unlock

Specification

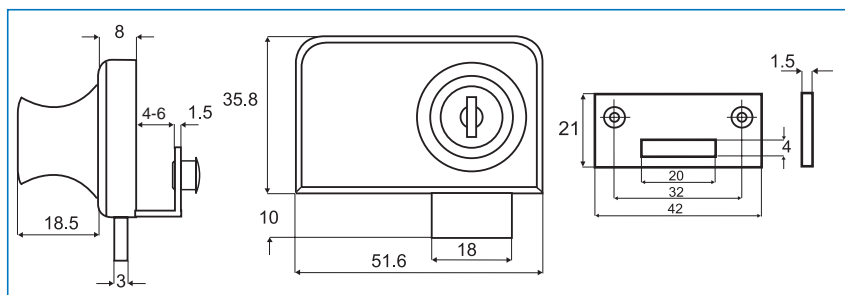
Zamak, 400 key combinations
or key alike

Option

Master key
and interchangeable system

Packing

24 pcs per box
240 pcs per export carton



GLASS DOOR LOCK #64081 „MIC“ SINGLE DOOR, HINGED

- high quality furniture fittings



MODEL #64081

Finish

Chrome plated # 14.09.210
Gold plated # 14.09.211
Black anodized # 14.09.212

Application

Single glass door, hinged
No boring required

Glass thickness: 4 - 6 mm

Accessories for one set

1 lock w/front plate
2 fastening screws
1 flat striking plate
2 car keys double entry
1 plastic distance plate

Function

Turn key 180° to lock
and reverse to unlock

Specification

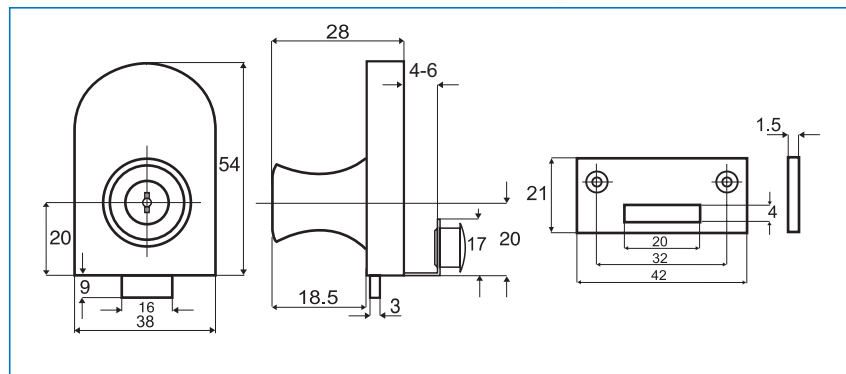
Zamak
400 key combinations
or key alike

Option

Master key
and interchangeable system

Packing

20 pcs per box
200 pcs per export carton



GLASS DOOR LOCK #917 „MIC“ NO BORE - DOUBLE DOORS, HINGED

MODEL #917

Finish

Chrome plated # 14.09.220
Alu finish # 14.09.223

Application

Double glass doors, hinged
No boring required

Glass thickness: 4 - 6 mm

Accessories for one set

1 lock w/large front plate
2 fastening screws
1 flat striking plate
2 car keys double entry
1 plastic distance plate

Optionals

Door stopper # 14.09.118
Spring stopper # 14.09.119

Function

Turn key 180° to lock
and reverse to unlock

Specification

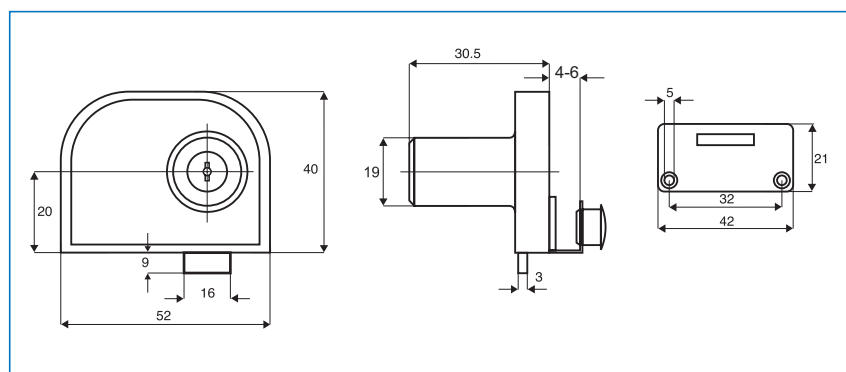
Zamak
400 key combinations or key alike

Option

Master key
and interchangeable system

Packing

12 pcs per box
240 pcs per export box carton



GLASS DOOR LOCK #918 „MIC“ NO BORE - SINGLE DOOR, HINGED

MODEL No. 918

FINISH

Chrome plated # 14.09.217
Alu finish # 14.09.217-1

Application

Single glass doors, hinged
No boring required

Glass thickness: 4 - 6 mm

Accessories for one set

1 lock w/front plate
2 fastening screws
1 flat striking plate
2 car keys double entry
1 plastic distance plate

Optionals

Door stopper # 14.09.118
Spring stopper # 14.09.119

Function

Turn key 180°
to lock and reverse to unlock

Specification

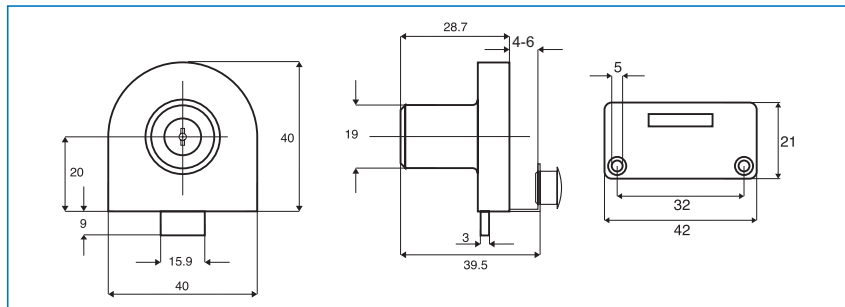
Zamak
400 key combinations or key alike

Option

Master key
and interchangeable system

Packing

12 pcs per box
240 pcs per export carton



STRIKER (FOR LOCK #918) FOR DOUBLE HINGED DOORS

MODEL „STRIKER“

Finish

Chrome plated # 14.09.246
Alu finish # 14.09.247
Gold plated # 14.09.248

Application

Double glass door, hinged
No boring required

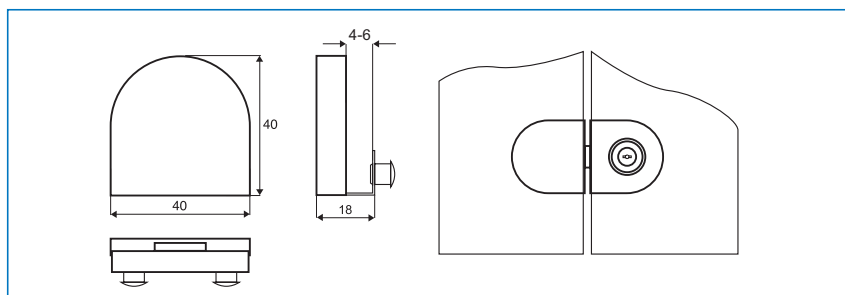
Glass thickness: 4 - 6 mm

Accessories for one set

1 lock w/front plate
2 fastening screws
1 flat striking plate
1 plastic distance plate

Packing

24 pcs per box
240 pcs per export carton



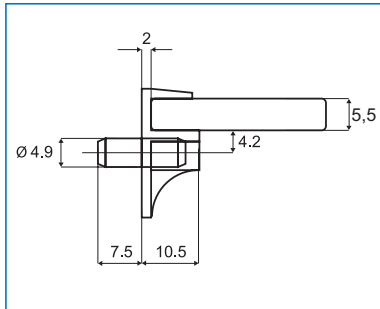
SHELF SUPPORTS FOR GLASS

- high quality furniture fittings

GLASS SHELF SUPPORT - with retainer

Material: Steel pin \varnothing 5 mm, bright zinc plated and transparent plastic support with retainer

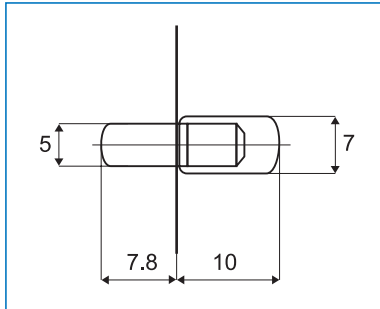
Suitable for GLASS THICKNESS
5,5 mm # 22.02.080



GLASS SHELF SUPPORT „CRISTAL“

Material: Steel pin \varnothing 5 mm, mantled with transparent plastic to 7 mm diam.

Bright zinc plated # 22.02.037
Brass plated # 22.02.038

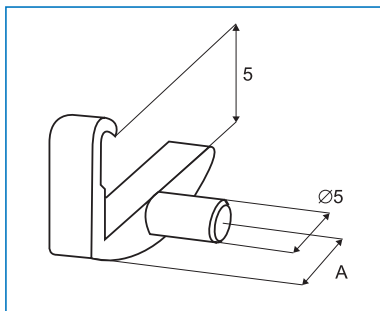


GLASS SHELF SUPPORT

with slide lock No. 1630
- moulded in sets (left + right)

Material: transparent plastic # 22.02.082

Pin: \varnothing 5 mm
Bore hole: 9,5 mm from edge
Glass: 5 mm
Packing: 3500 pcs



GLASS SHELF SUPPORT „PARROT“ w/clip fixing to secure the glass

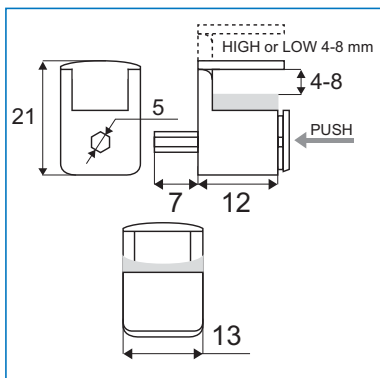
Material: Zamak, Nickel plated

Pin: \varnothing 5 mm

Glass thickness: 4 - 8 mm

Item No. # 22.02.456

Packing: 1000 pcs per export carton



SHELF SUPPORT - w/ flexible Retainer for GLASS SHELVES (min. 5mm)

Material: Plastic

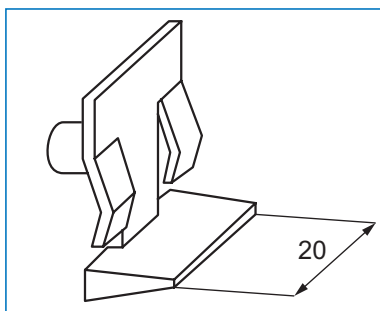
PIN: 5 mm

Colours

White # 22.02.066

Black # 22.02.067

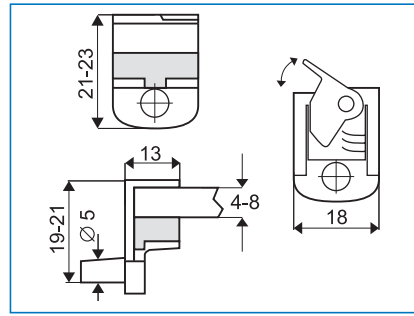
For glass minimum 5mm



SHELF SUPPORTS FOR GLASS

SHELF SUPPORT „ALFA“ - w/ catch for glass 4-8 mm
 with eccentric Pin \varnothing 5 mm
 Zamak
 Nickel plated # 22.02.245

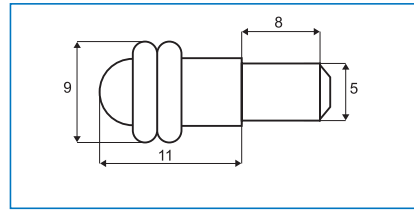
Options
 Without pin but with hole \varnothing 5 mm for screw



SHELF SUPPORT w/2 rubber O-rings

Material
 Steel, NPL # 22.02.200

Packing
 5000 pcs

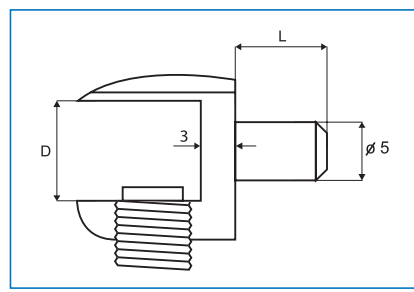


SHELF SUPPORT w/soft plastic screw

Material
 Zamak, nickel plated

Sizes: D \varnothing L
 8 mm 5 mm 8 mm # 22.02.231
 5 mm 5 mm 8 mm # 22.02.230

Packing
 1000 pcs

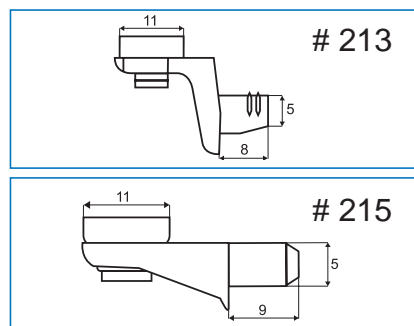


SHELF SUPPORT W/SUCTION PAD

Material
 Zamak, nickel plated

NO.213 # 22.02.240
 NO.215 # 22.02.241

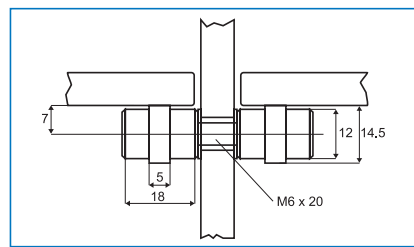
Packing
 2500 pcs



SHELF SUPPORT - "Double" - Brass - w/2 black rubber rings

Material: Brass, nickel plated
Size: 2 pcs each \varnothing 12 x 18 mm
Bore: \varnothing 8 mm
Glass thickness: 6 - 8 mm

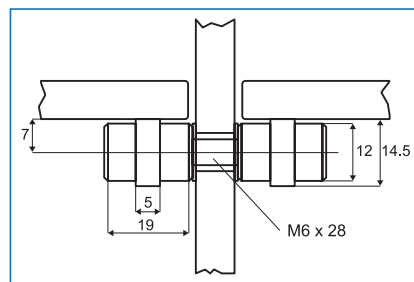
Item No.: # 22.02.116



SHELF SUPPORT - "Double" - Steel - w/2 transparent rings

Material: Steel, chrome plated
Size: 2 pcs each \varnothing 12 x 19 mm
Bore: \varnothing 8 mm
Glass thickness: 4 - 8 mm

Item No.: # 22.02.111



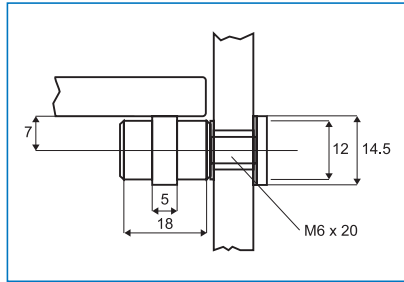
SHELF SUPPORTS FOR GLASS

- high quality furniture fittings

SHELF SUPPORT - "Single" - Brass - w/1 black rubber ring

Material: Brass, nickel plated
Size: $\varnothing 12 \times 18$ mm
Bore: $\varnothing 8$ mm
Glass thickness: 6 - 8 mm

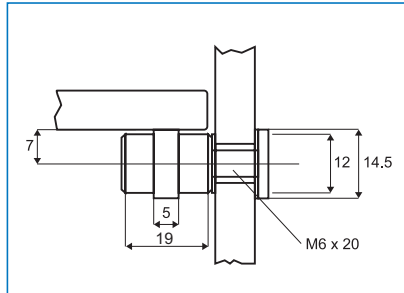
Item No.: # 22.02.115



SHELF SUPPORT - "Single" - Steel - w/1 transparent ring

Material: Steel, chrome plated
Size: $\varnothing 12 \times 19$ mm
Bore: $\varnothing 8$ mm
Glass thickness: 4 - 8 mm

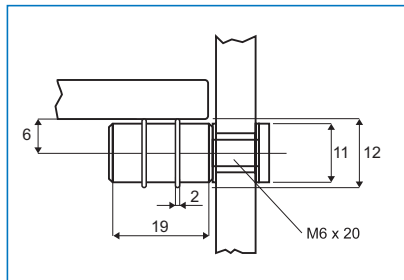
Item No.: # 22.02.106



SHELF SUPPORT - "Single" - Steel - w/2 transparent rings

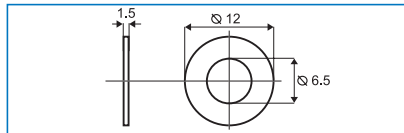
Material: Steel, chrome plated
Size: $\varnothing 11 \times 19$ mm
Bore: $\varnothing 8$ mm
Glass thickness: 4 - 8 mm

Item No.: # 22.02.105



EXTRA RUBBER washer for shelf support # 22.02.115 & 116

Transparent # 22.02.114



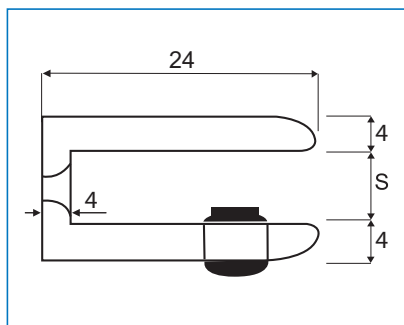
SHELF SUPPORT - Cylindrical Mounting with wood screw $\varnothing 4,5$ mm

Material: Zamak

Sizes

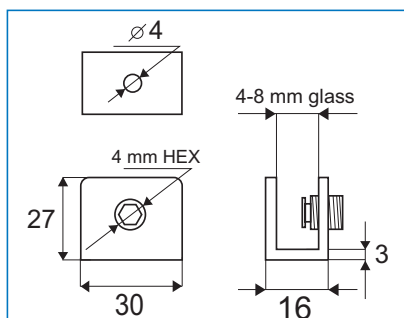
\varnothing	S	Item No.
CPL $\varnothing 17$ mm	4 - 6 mm	# 22.02.220
ALU $\varnothing 17$ mm	4 - 6 mm	# 22.02.221
CPL $\varnothing 20$ mm	8 - 10 mm	# 22.02.210
ALU $\varnothing 20$ mm	8 - 10 mm	# 22.02.213

Packing
100 pcs



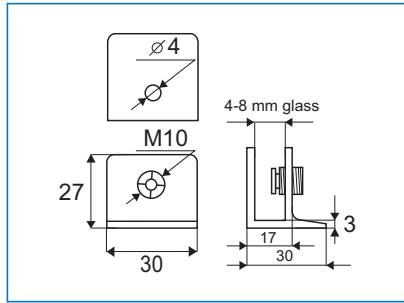
GLASS SHELF SUPPORT „SQUARE“ w/ $\varnothing 4$ mm screw hole, CSK

Material: Zamak
Size: (W/H/D) 30 x 27 x 16 mm
Glass thickness: 4 - 8 mm
 Chrome plated # 22.02.560
 Alu finish # 22.02.561
 SS-look # 22.02.563



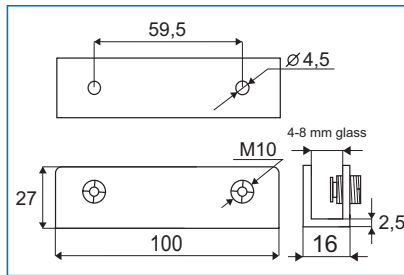
**GLASS SHELF SUPPORT „SQUARE“
"X-STRONG"**

Material: Zamak
Size: (W/H/D) 30 x 30 x 27 mm
Glass thickness: 4 - 8 mm
Mounting: Ø 4 mm CSK hole
 Chrome plated # 22.02.610
 Alu finish # 22.02.611



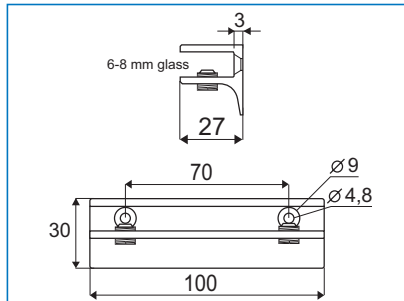
GLASS SHELF SUPPORT „SQUARE XL“

Material: Zamak
Size: (W/H/D) 100 x 16 x 27 mm
Glass thickness: 4 - 8 mm
Mounting: Ø 4 mm CSK hole
 Chrome plated # 22.02.565
 Alu finish # 22.02.566



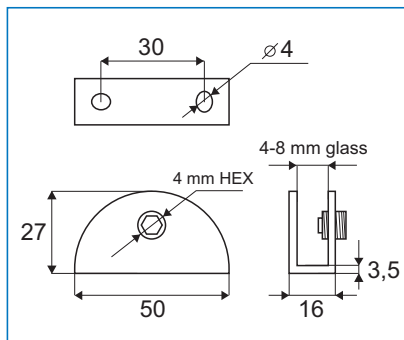
GLASS SHELF SUPPORT "SHELFIE"

Material: Zamak
Size: (W/H/D) 100 x 30 x 27 mm
Glass thickness: 6 - 8 mm
Mounting: Ø 5 mm CSK Holes
 Item No.: # 22.02.625



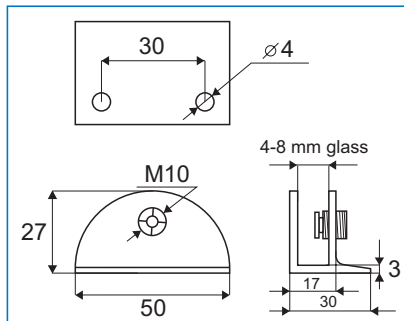
**GLASS SHELF SUPPORT „HALF MOON“
w/ø4 mm screw hole, CSK**

Material: Zamak
Size: (W/H/D) 50 x 16 x 27 mm
Glass thickness: 4 - 8 mm
 Chrome plated # 22.02.570
 Alu finish # 22.02.571
 SS-look # 22.02.573



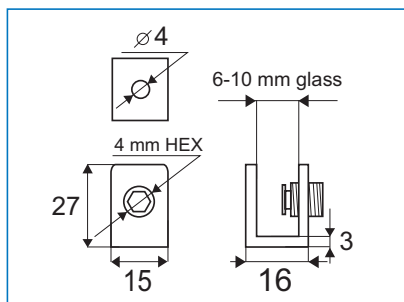
**GLASS SHELF SUPPORT „HALF-MOON“
"X-STRONG"**

Material: Zamak
Size: (W/H/D) 50 x 30 x 27 mm
Glass thickness: 4 - 8 mm
Mounting: Ø 4 mm CSK hole
 Chrome plated # 22.02.620
 Alu finish # 22.02.621



**GLASS SHELF SUPPORT „MUS“
w/ø4 mm screw hole, CSK**

Material: Zamak
Size: (W/H/D) 15 x 16 x 27 mm
Glass thickness: 6 - 10 mm
 Chrome plated # 22.02.600
 Alu finish # 22.02.601
 SS-look # 22.02.603

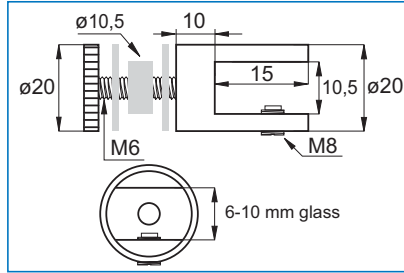


SHELF SUPPORTS FOR GLASS

- high quality furniture fittings

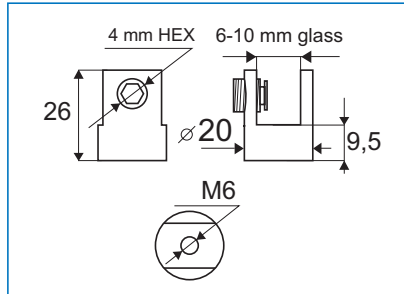
GLASS SHELF SUPPORT „CYLINDRICAL“ F/GLASS WALL FIXING

Material: Brass
Size: Ø 20 x 26 mm
Glass thickness: 6 - 10 mm
Chrome plated # 22.02.235



GLASS SHELF SUPPORT „CYLINDRICAL“ w/M6 mm screw hole

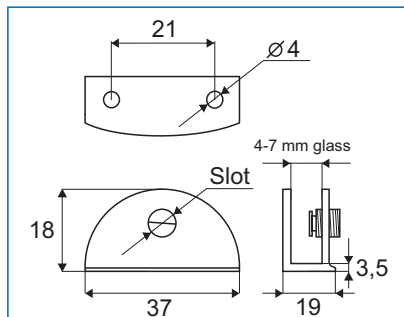
Material: Zamak
Size: Ø 20 x 26 mm
Glass thickness: 6 - 10 mm
Chrome plated # 22.02.226
Alu finish # 22.02.227
SS-look # 22.02.228



GLASS SHELF SUPPORT „DOME“ SMALL w/Ø4 mm screw hole, CSK

Material: Zamak, Chrome plated
Size: (W/H/D) 37 x 19 x 18 mm
Glass thickness: 4 - 7 mm
Item No. # 22.02.575

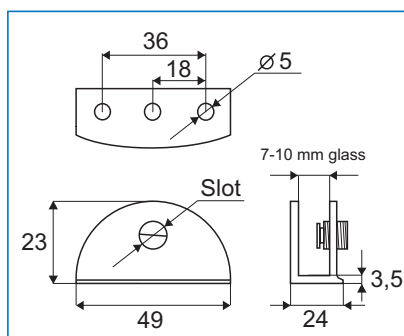
Inclusive screws and wall plugs



GLASS SHELF SUPPORT „DOME“ LARGE w/Ø5 mm screw holes, CSK

Material: Zamak
Size: (W/H/D) 49 x 24 x 23 mm
Glass thickness: 7 - 10 mm
Chrome plated # 22.02.580

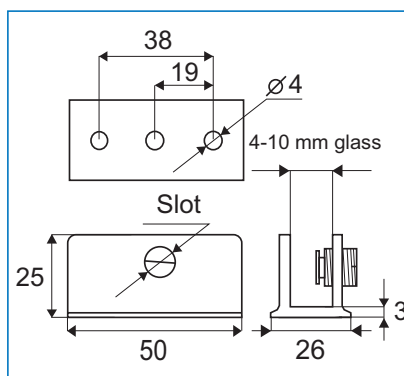
Inclusive screws and wall plugs



GLASS SHELF SUPPORT „RECTA“ LARGE w/Ø5 mm screw holes, CSK

Material: Zamak, Chrome plated
Size: (W/H/D) 50 x 26 x 25 mm
Glass thickness: 4 - 10 mm
Item No. # 22.02.595

Inclusive screws and wall plugs



CABLE SIGN SYSTEM F/WALL MOUNTING ALUMINIUM ANODIZED

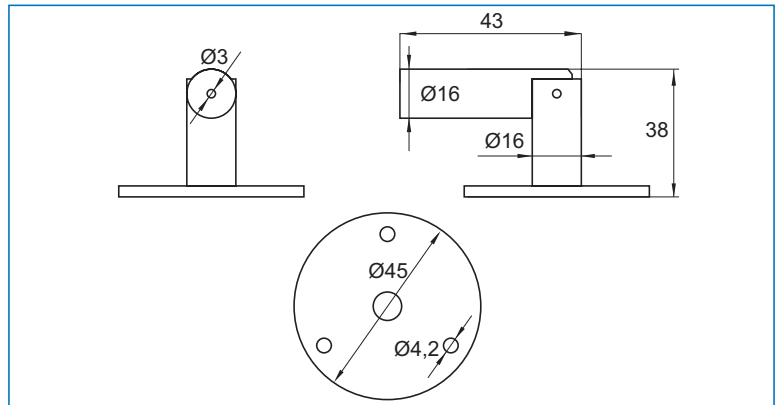
1 SET CONSISTS OF:

2 x 2 meters \varnothing 1,5 mm SS 304 wire
 2 x top fixings & 2 bottom fixings with spring tension
 Suitable for A1, A2, A3 & A4 signs
 (Sign holders to be bought separately)

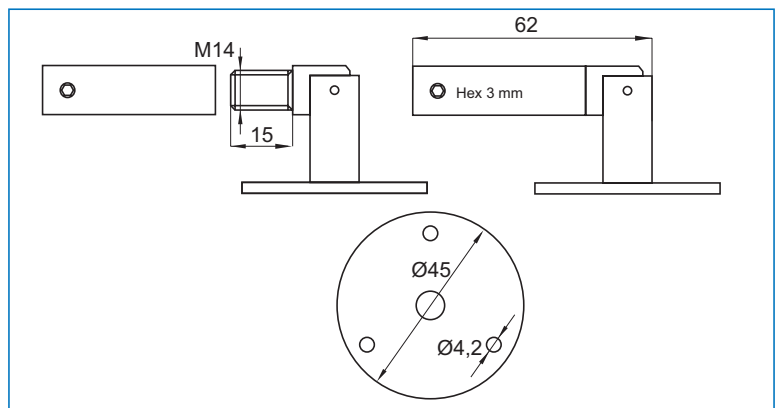
Item No. # 22.12.050



Top fixing



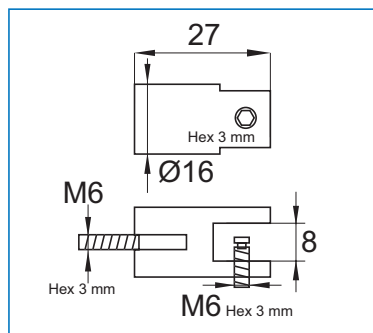
Bottom fixing



**CABLE SIGN HOLDERS
IN ALUMINIUM**

Size: \varnothing 16 x 27 mm
 Display thickness from 6 - 8 mm
 4 pcs per sign is needed

Item No. # 22.12.060



CABLE SHELF SYSTEM F/WALL MOUNTING ALUMINIUM ANODIZED

- high quality furniture fittings



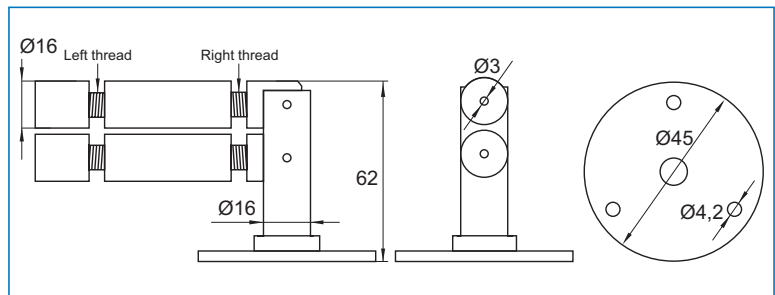
1 SET CONSISTS OF:

- 2 x 4 meters \varnothing 3 mm SS 304 wire
- 2 x top fixings & 2 bottom fixings with spring tension
- 4 x shelf sticks
- Max 20 kg per shelf
- Max shelf size: 330 x 500 mm (D/L)
- (Shelf holders to be bought separately)

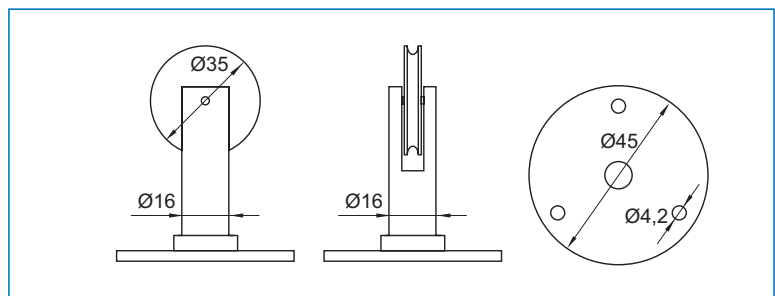
Item No. # 22.12.000



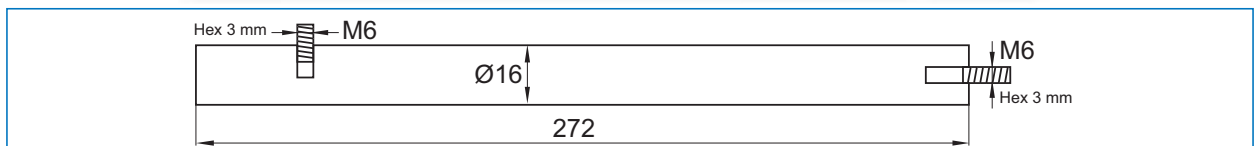
Bottom fixing



Top fixing



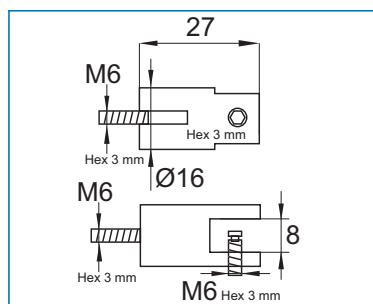
Shelf stick



CABLE SHELF HOLDERS IN ALUMINIUM

- Size: \varnothing 16 x 27 mm
- Display thickness from 6 - 8 mm
- 4 pcs per shelf is needed

Item No. # 22.12.010

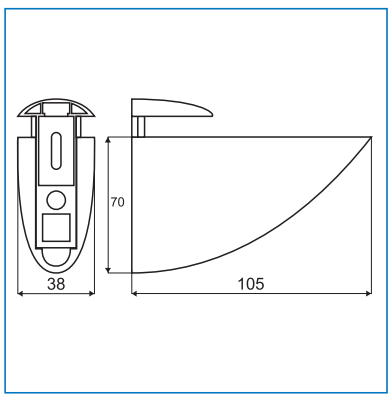


ADJUSTABLE SHELF SUPPORT „PELICANS“

MODEL NO. 53
 For glass & wood shelves

Material: Zamak
Shelf thickness: 4-40 mm
Max load: 40 kg

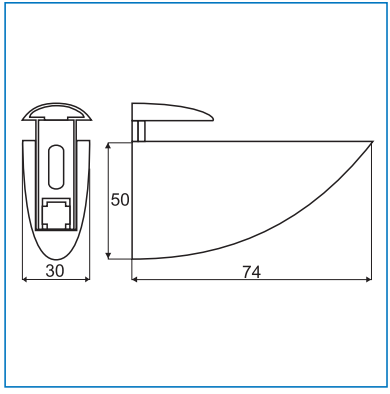
Finish:
 Alu finish # 22.02.550
 Polished chrome # 22.02.552



MODEL NO. 52
 For glass & wood shelves

Material: Zamak
Shelf thickness: 4-26 mm
Max load: 30 kg

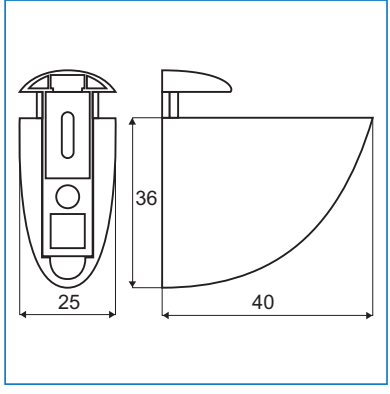
Finish:
 Alu finish # 22.02.545
 Mat nickel # 22.02.546
 Polished chrome # 22.02.547
 SS-look # 22.02.548



MODEL NO. 45
 For glass & wood shelves

Material: Zamak
Shelf thickness: 4-10 mm
Max load: 20 kg

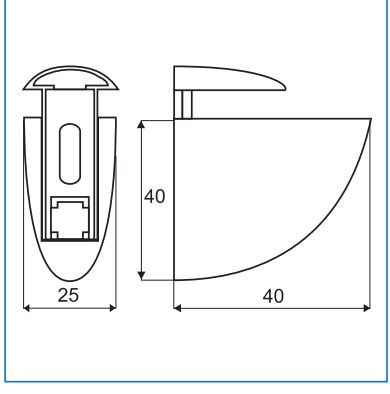
Finish:
 Polished chrome # 22.02.495
 SS-look # 22.02.496



MODEL NO. 48
 For glass & wood shelves

Material: Zamak
Shelf thickness: 4-24 mm
Max load: 20 kg

Finish:
 Mat chrome coated # 22.02.520
 Mat nickel coated # 22.02.521



ADJUSTABLE SHELF SUPPORT „PELICANS“

- high quality furniture fittings

MODEL NO. 49

For glass & wood shelves

Material: Zamak

Shelf thickness: 4-19 mm

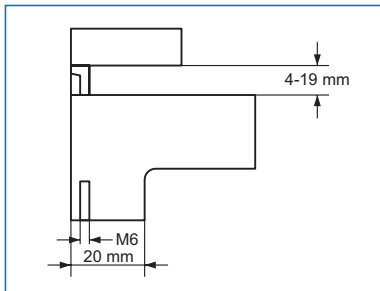
Max load: 20 kg

Finish:

Chrome plated # 22.02.525

Alu finish # 22.02.526

SS-look # 22.02.527



MODEL NO. 54

For glass & wood shelves

Material: Zamak

Shelf thickness: 4-44 mm

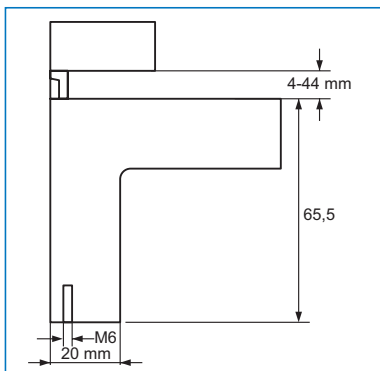
Max load: 20 kg

Finish:

Chrome plated # 22.02.555

Alu finish # 22.02.556

SS-look # 22.02.557



MODEL NO. 43

For glass & wood shelves

Material: Zamak

Shelf thickness: 4-24 mm

Max load: 20 kg

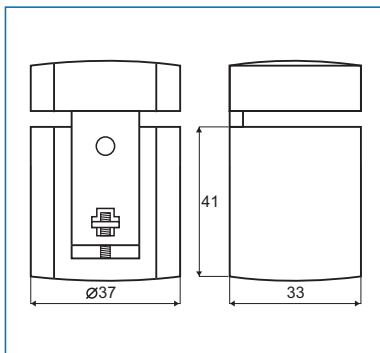
Finish:

Black coated # 22.02.470

Alu finish # 22.02.471

SS-look # 22.02.473

Matt nickel # 22.02.474



MODEL NO. 44

For glass & wood shelves

Material: Zamak

Shelf thickness: 4-24 mm

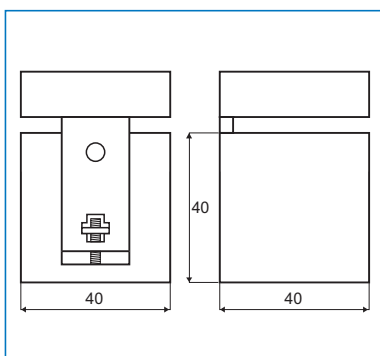
Max load: 20 kg

Finish:

Black coated # 22.02.475

Polished chrome # 22.02.477

Matt nickel # 22.02.479



MODEL NO. 47

For glass & wood shelves

Material: Zamak

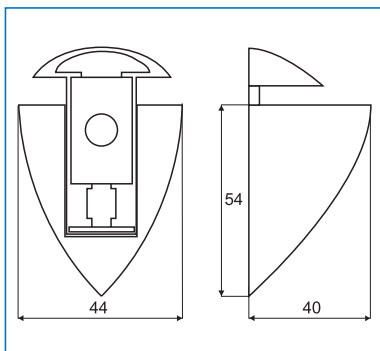
Shelf thickness: 4-22 mm

Max load: 20 kg

Finish:

Mat chrome coated # 22.02.510

SS-look # 22.02.513



"SLOPE" SHELF BRACKET - F/SLOPING WALLS

"Slope" is an ideal shelf bracket solution for roof top apartments, bathrooms, living rooms, offices or shops where you have sloping walls. The "Slope" can be used for both wood & glass shelves.

Specifications:
Adjustable from 90 - 156°

Max depth of shelf: 45 cm

Max load: 30 kg when using 2 brackets

Size: 335 x 113 x 23,5 mm (L/H/W)

Material: Stainless Steel 304

Item No.:

Brushed	# 22.02.800
Polished	# 22.02.801
Raw	# 22.02.802

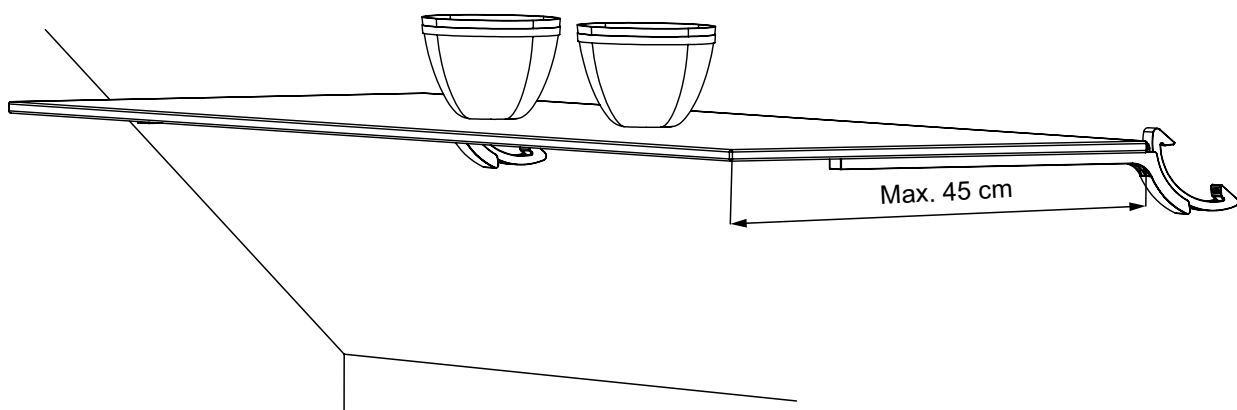
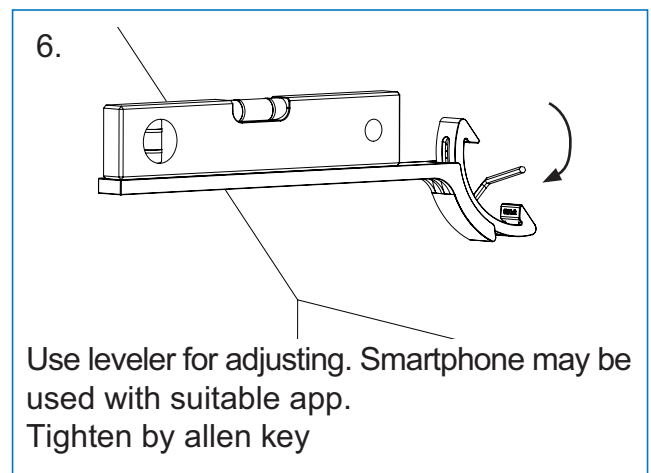
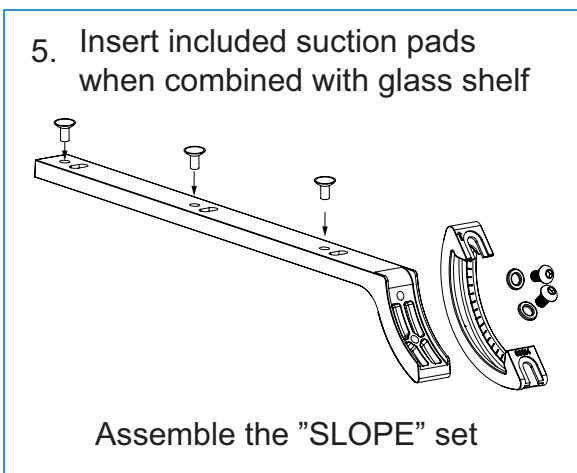
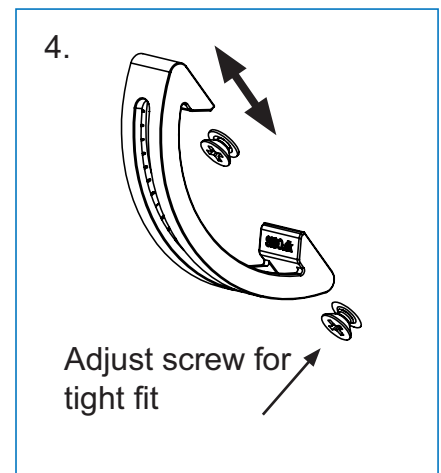
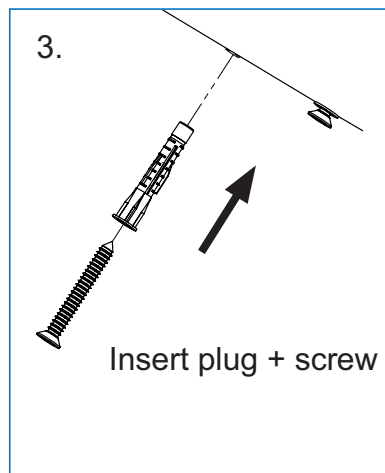
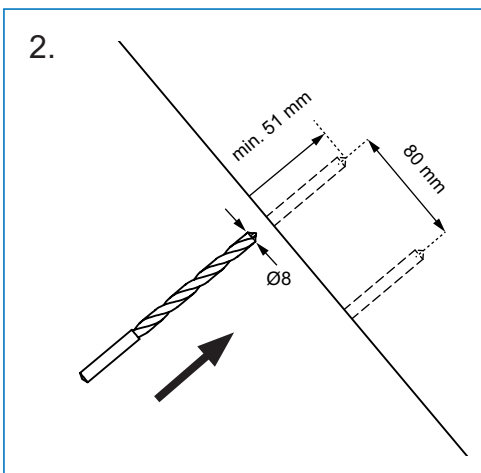
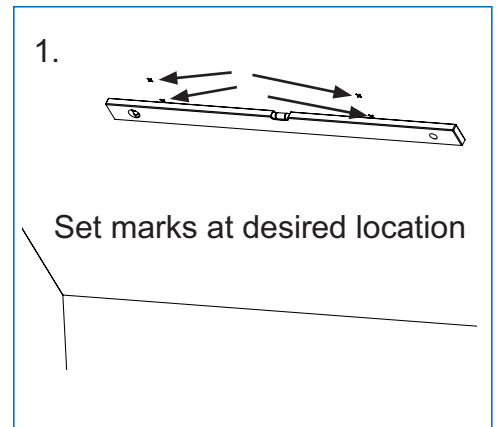
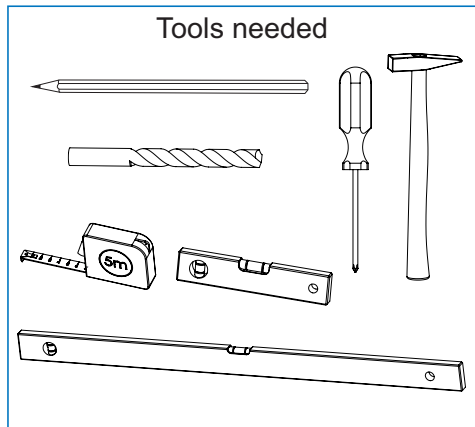
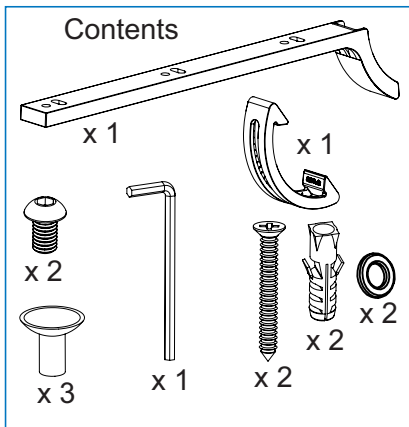
Incl.:

- 2 Socket Screws M6x8mm DIN 7984
- 2 x CSK Chipboard Screws 5 x 50mm
- 2 Plastic Wall Plugs Ø8 x 50mm
- 1 x 4mm L-shaped Hex Key
- 2 Flat Washers
- 3 x Suction Pads F/Glass Shelves
- 1 x Installation manual



"SLOPE" SHELF BRACKET – "HOW TO DO!"

- high quality furniture fittings



ZAMAK GLASS CLAMP NO. 31 F/WALL MOUNTING

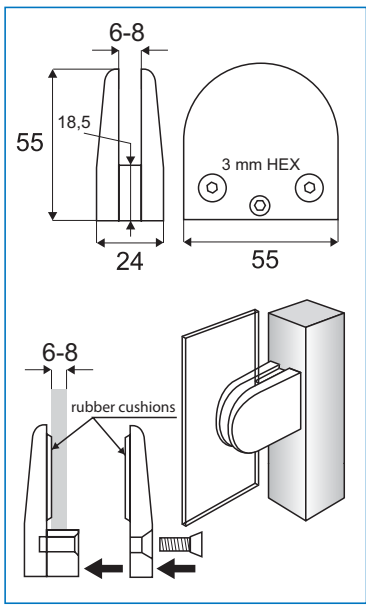
Application
Balconies, balustrade, shelves etc.

Material
Zamak

Model „Large“ w/round rubber rings f/glass thickness 6-8 mm

Chrome plated # 22.10.150
Gold plated # 22.10.151
Matt nickel plated # 22.10.152

Packing
100 pcs per carton



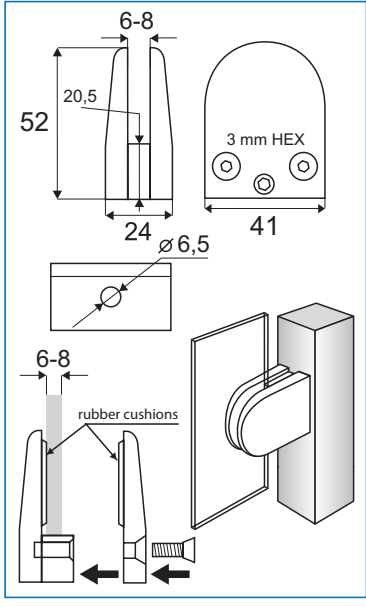
Application
Balconies, balustrade, shelves etc.

Material
Zamak

Model „Medium“ w/flat rubber cushions f/glass thickness 6-8 mm

Chrome plated # 22.10.160
Matt nickel plated # 22.10.161

Packing
100 pcs per carton



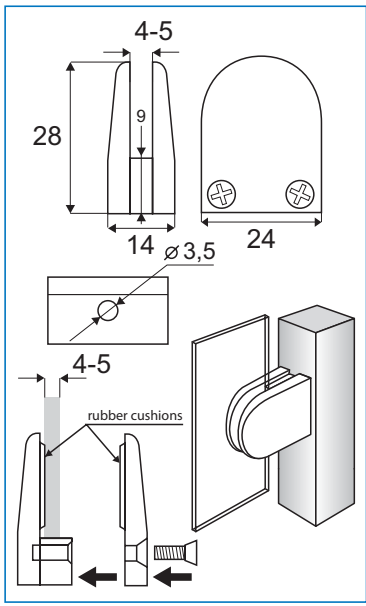
Application
Balconies, balustrade, shelves etc.

Material
Zamak

Model „Small“ w/flat rubber cushions f/glass thickness 4-5 mm

Chrome plated # 22.10.165
Matt nickel plated # 22.10.166

Packing
500 pcs per carton



ZAMAK GLASS CLAMP NO. 31 F/TUBE MOUNTING

- high quality furniture fittings



Application

Balconies, balustrade, staircases etc.

Material

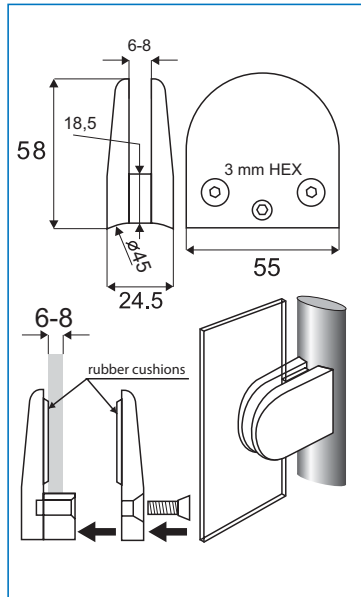
Zamak

ø45 mm tube „L“ w/round rubber rings f/glass thickness 6-8 mm

Chrome plated # 22.10.170
Matt nickel plated # 22.10.171

Packing

100 pcs per carton



Application

Balconies, balustrade, staircases etc.

Material

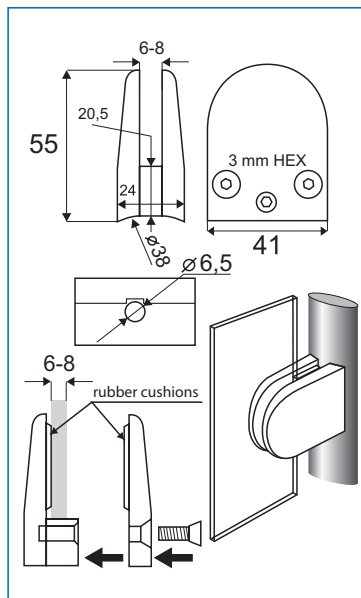
Zamak

ø38 mm tube „M“ w/flat rubber cushions f/glass thickness 6-8 mm

Chrome plated # 22.10.175
Matt nickel plated # 22.10.176

Packing

100 pcs per carton



Application

Balconies, balustrade, staircases etc.

Material

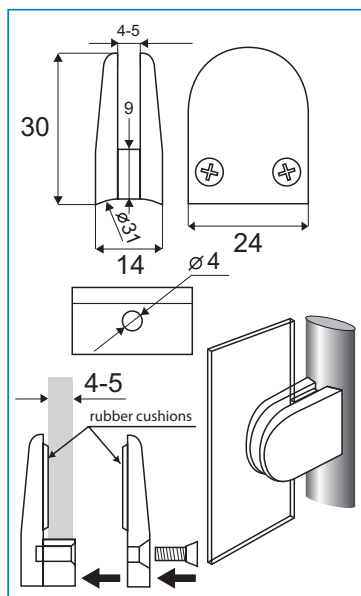
Zamak

ø31 mm tube „S“ w/flat rubber cushions f/glass thickness 4-5 mm

Chrome plated # 22.10.180
Matt nickel plated # 22.10.181

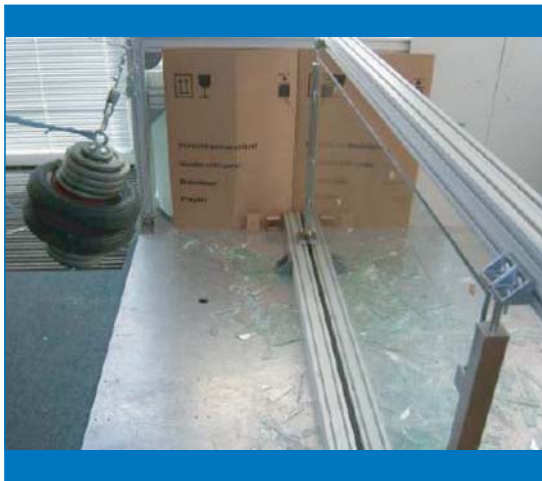
Packing

500 pcs per carton





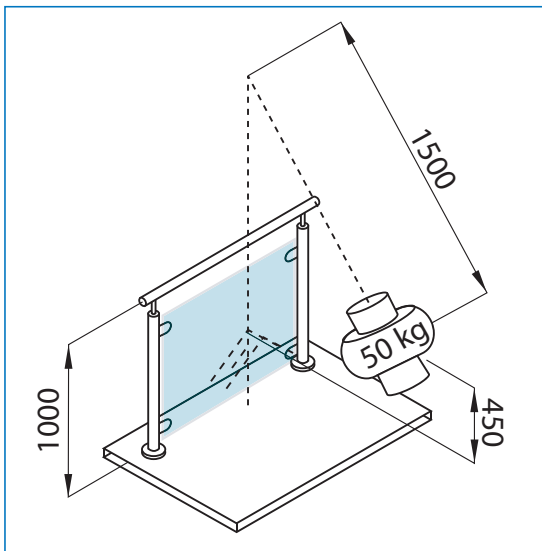
ON THE BASIS OF THE EN-12600 STANDARD, SISO'S GLASS CLAMPS MODEL SQUARE, OVAL-S & OVAL-L IN STAINLESS STEEL 304, 316 & ZAMAK HAVE BEEN APPROVED BY TÜV – GERMANY.



DROP IMPACT TEST



DROP IMPACT TEST



STATIC TEST

STAINLESS STEEL & ZAMAK GLASS CLAMPS „SQUARE“

- high quality furniture fittings



Material: Brushed stainless steel 304 & 316 or zamak, raw

Glass thickness: 6 - 10,76 mm

Size: 45 x 47 x 27 mm

Model „Flat“ without cushions

SS-316 Brushed # 22.10.200-0

SS-304 Brushed # 22.10.200-9

Zamak Raw # 22.10.200-8

Model „Tube ø33,7 mm“ without cushions

SS-316 Brushed # 22.10.201-0

SS-304 Brushed # 22.10.201-9

Zamak Raw # 22.10.201-8

Model „Tube ø42,4 mm“ without cushions

SS-316 Brushed # 22.10.202-0

SS-304 Brushed # 22.10.202-9

Zamak Raw # 22.10.202-8

Model „Tube ø48,3 mm“ without cushions

SS-316 Brushed # 22.10.203-0

SS-304 Brushed # 22.10.203-9

Zamak Raw # 22.10.203-8

EPDM-cushions to regulate glass thickness to be bought seperately

Optional:

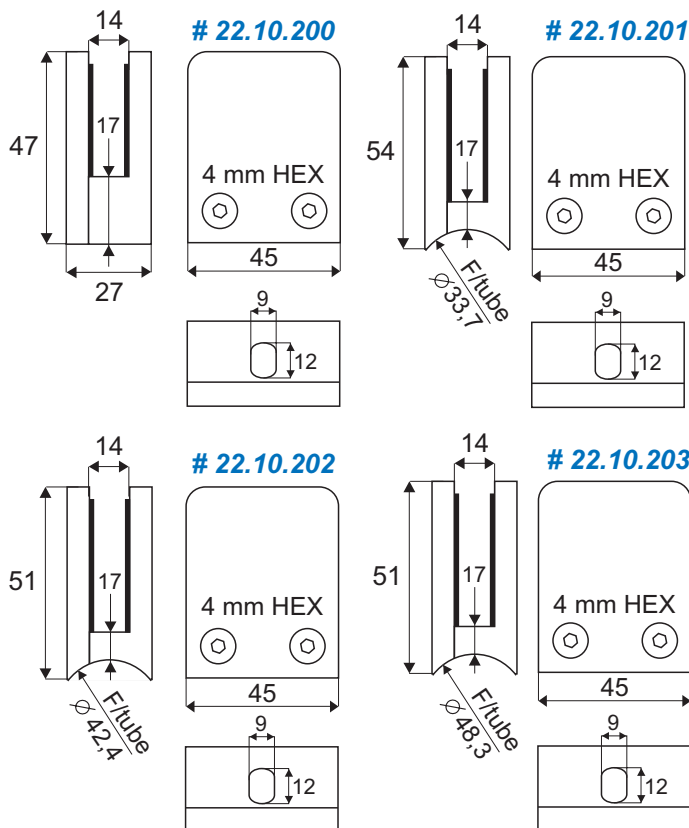
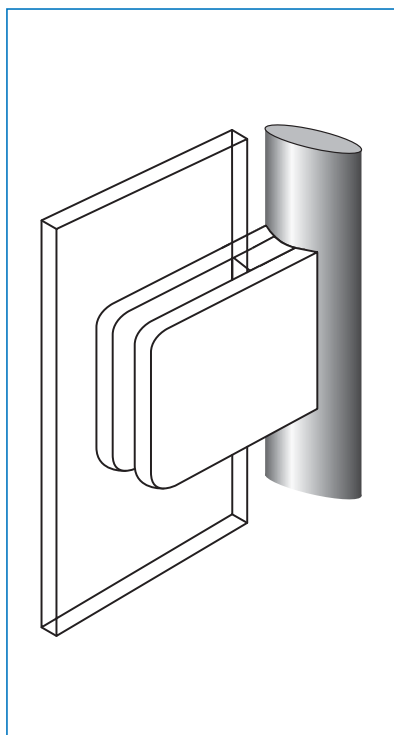
Cover cap - silver color # 22.10.251

Mounting screw SS 304

for clamp fixing

M8 x 12 mm # 22.10.248

M8 x 14 mm # 22.10.249



Attention: All zamak clamps are with ø9 mm fixing hole

MODEL „SQUARE“	Glass thickness	Glass Type	Cushion mm	Item numbers		
	6	mono	4 + 5	22.10.207	+	22.10.208
	6,76	Lam.	4 + 4	22.10.207	+	22.10.207
	8	mono	3 + 4	22.10.206	+	22.10.207
	8,76	Lam.	3 + 3	22.10.206	+	22.10.206
	10	mono	2 + 3	22.10.205	+	22.10.206
	10,76	Lam.	2 + 2	22.10.205	+	22.10.205

STAINLESS STEEL & ZAMAK GLASS CLAMPS „OVAL-S“

Material: Brushed/polished stainless steel 304 & 316 or zamak, raw

Glass thickness: 6 - 10,76 mm

Size: 40 x 50 x 27 mm

Model „Flat“ without cushions

- SS-316 Brushed # 22.10.210-0
- SS-316 Polished # 22.10.260-0
- SS-304 Brushed # 22.10.210-9
- Zamak Raw # 22.10.210-8

Model „Tube ø33,7 mm“ without cushions

- SS-316 Brushed # 22.10.211-0
- SS-304 Brushed # 22.10.211-9
- Zamak Raw # 22.10.211-8

Model „Tube ø42,4 mm“ without cushions

- SS-316 Brushed # 22.10.212-0
- SS-316 Polished # 22.10.262-0
- SS-304 Brushed # 22.10.212-9
- Zamak Raw # 22.10.212-8

Model „Tube ø48,3 mm“ without cushions

- SS-316 Brushed # 22.10.213-0
- SS-304 Brushed # 22.10.213-9
- Zamak Raw # 22.10.213-8

EPDM-cushions to regulate glass thickness to be bought seperately

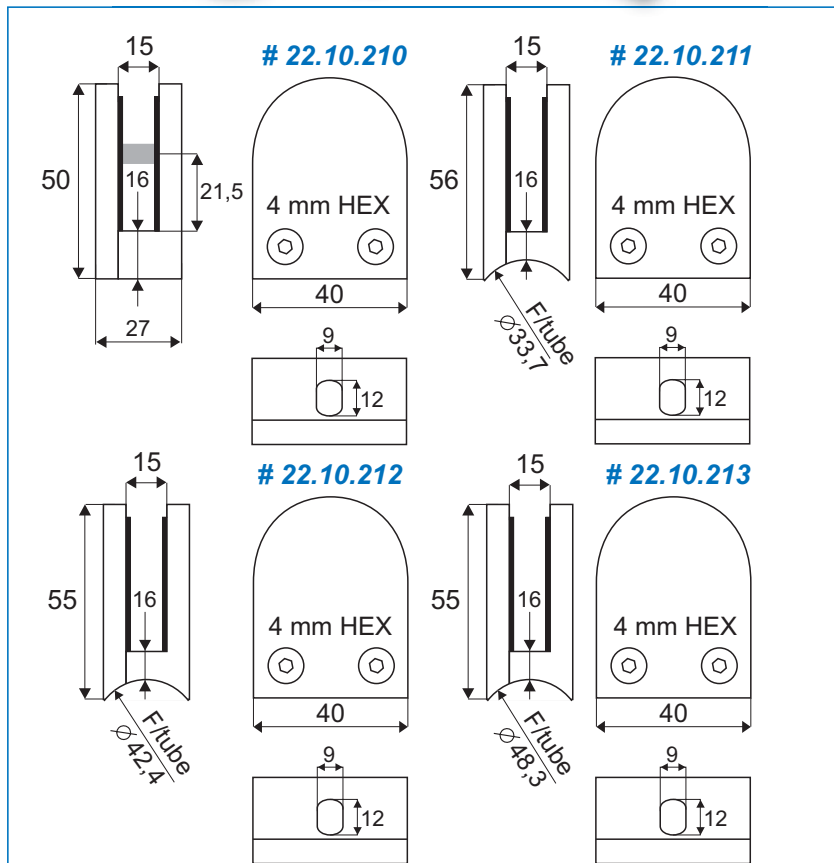
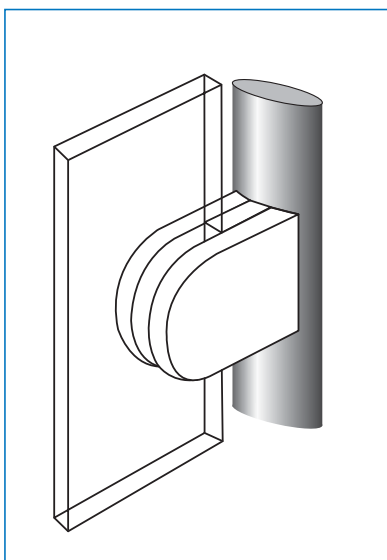
Optional:

- Safety pins ø5,5 x 18 mm
- White plastic # 22.10.240
- SS-304 w/tube # 22.10.239


Cover cap - silver color # 22.10.251

Mounting screw SS 304 for clamp fixing

- M8 x 12 mm # 22.10.248
- M8 x 14 mm # 22.10.249



Attention: All zamak clamps are with ø9 mm fixing hole

MODEL „OVAL-S“	Glass thickness	Glass Type	Cushion mm	Item numbers		
	6	mono	5 + 5	22.10.217	+	22.10.217
	6,76	Lam.	4 + 5	22.10.216	+	22.10.217
	8	mono	4 + 4	22.10.216	+	22.10.216
	8,76	Lam.	3 + 4	22.10.215	+	22.10.216
	10	mono	3 + 3	22.10.215	+	22.10.215
	10,76	Lam.	2 + 3	22.10.214	+	22.10.215

STAINLESS STEEL & ZAMAK GLASS CLAMPS „OVAL-L“

- high quality furniture fittings



Material: Brushed stainless steel 304 & 316 or zamak, raw

Glass thickness: 6 - 10,76 mm

Size: 45 x 64 x 26,5 mm

Model „Flat“ without cushions

SS-316 Brushed # 22.10.220-0

SS-304 Brushed # 22.10.220-9

Zamak Raw # 22.10.220-8

Model „Tube ø33,7 mm“ without cushions

SS-316 Brushed # 22.10.221-0

SS-304 Brushed # 22.10.221-9

Zamak Raw # 22.10.221-8

Model „Tube ø42,4 mm“ without cushions

SS-316 Brushed # 22.10.222-0

SS-304 Brushed # 22.10.222-9

Zamak Raw # 22.10.222-8

Model „Tube ø48,3 mm“ without cushions

SS-316 Brushed # 22.10.223-0

SS-304 Brushed # 22.10.223-9

Zamak Raw # 22.10.223-8

EPDM-cushions to regulate glass thickness to be bought seperately

Optional:

Safety pins ø7,5 x 19 mm

White plastic # 22.10.241

SS-304 w/tube # 22.10.242

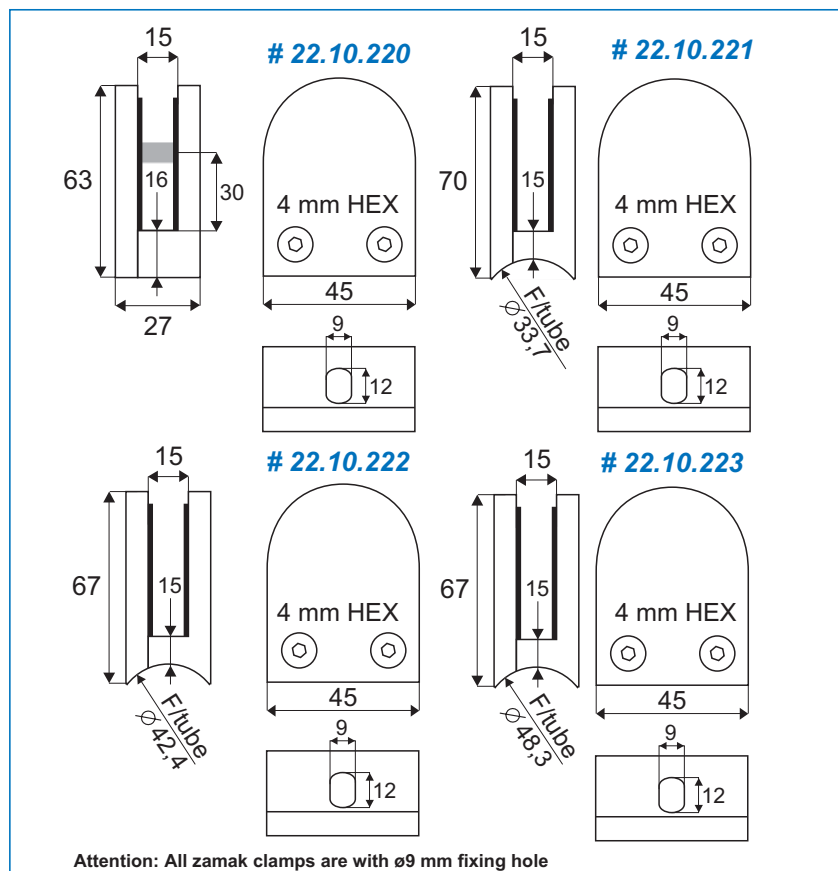
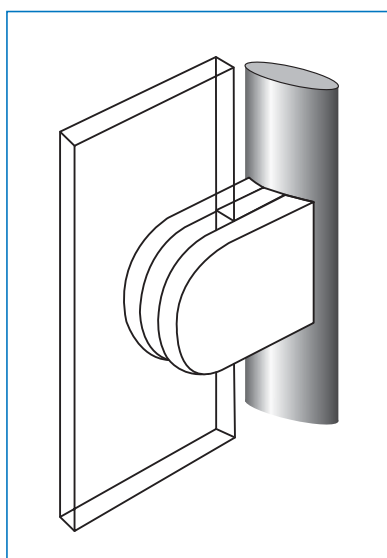
Cover cap - silver color # 22.10.251

Mounting screw SS 304

for clamp fixing

M8 x 12 mm # 22.10.248

M8 x 14 mm # 22.10.249



Attention: All zamak clamps are with ø9 mm fixing hole

MODEL „OVAL-L“	Glass thickness	Glass Type	Cushion mm	Item numbers		
	6	mono	5 + 5	22.10.227	+	22.10.227
	6,76	Lam.	4 + 5	22.10.226	+	22.10.227
	8	mono	4 + 4	22.10.226	+	22.10.226
	8,76	Lam.	3 + 4	22.10.225	+	22.10.226
	10	mono	3 + 3	22.10.225	+	22.10.225
	10,76	Lam.	2 + 3	22.10.224	+	22.10.225

STAINLESS STEEL & ZAMAK GLASS CLAMPS „SQUARE” W/ BOTTOM PLATE F/EASY MOUNTING

SISO

DENMARK - high quality furniture fittings

Material:

Brushed or polished stainless steel 304 & 316 or zamak, raw.

Glass thickness: 6,76 – 12,76 mm

Size: 45 x 47 x 30 mm

Specifications:

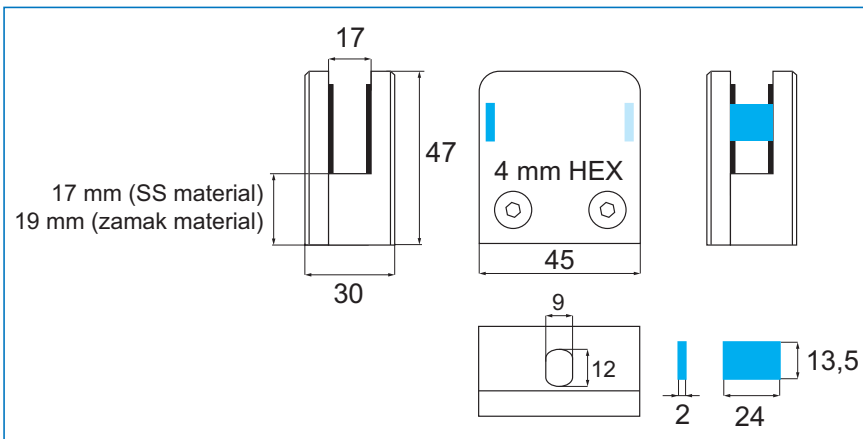
Flat back side.
W/stainless steel bottom plate
Without cushions (to be bought separately)

Item No:

Zamak raw # 22.10.300
SS 304 brushed # 22.10.310
SS 316 brushed # 22.10.320
SS 316 polished # 22.10.321

Mounting screw SS 304
for clamp fixing

M8 x 12 mm # 22.10.248
M8 x 14 mm # 22.10.249



MODEL SQUARE	Glass thickness	Glass type	Cushion mm	Item numbers		
	6,76 mm	Lam.	6 + 6	22.10.209	+	22.10.209
	8 mm	Mono	5 + 6	22.10.208	+	22.10.209
	8,76 mm	Lam.	5 + 5	22.10.208	+	22.10.208
	10 mm	Mono	4 + 5	22.10.207	+	22.10.208
	10,76 mm	Lam.	4 + 4	22.10.207	+	22.10.207
	12 mm	Mono	3 + 4	22.10.206	+	22.10.207
	12,76 mm	Lam.	3 + 3	22.10.206	+	22.10.206

ADJUSTABLE STAND-OFF GLASS HOLDER

Description:

Stand-off with adjustable back plate.
Can be adjusted up to 10 mm.

Material:

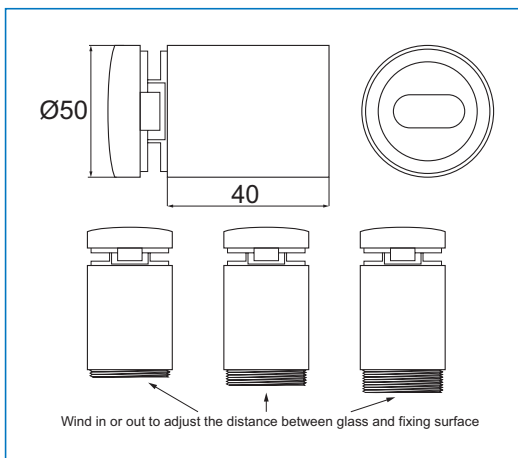
Stainless Steel 316 – brushed

Size: ø 50 x 40 mm

Glass thickness: 6,76 to 14 mm

Hole Drilling in glass: ø 26 mm

Item No.: # 22.10.475



BALUSTER POSTS IN SS-304 - 960 MM HEIGHT - W/PRE-INSTALLED RAIL SUPPORTS

- high quality furniture fittings



Application:

Baluster posts square or round tubes, for balconies, balustrades, stair cases etc.

Material:

Brushed stainless steel 304

Sizes:

40 x 40 x 960 x 1,5 mm
or $\varnothing 42,2$ x 960 x 1,7 mm

Specifications:

Supplied with pre-tapped holes for mounting of glass clamps. Fixed or flexible handrail tops (not adjustable in the height)

Models:

Square w/fixed handrail top f/square tubes

W/ 2 holes on 2 sides for 90° angle # 22.10.352

Square w/flexible handrail top f/square tubes

W/ 2 through holes # 22.10.355
W/2 holes on one side # 22.10.356
W/ 2 holes on 2 sides for 90° angle # 22.10.357

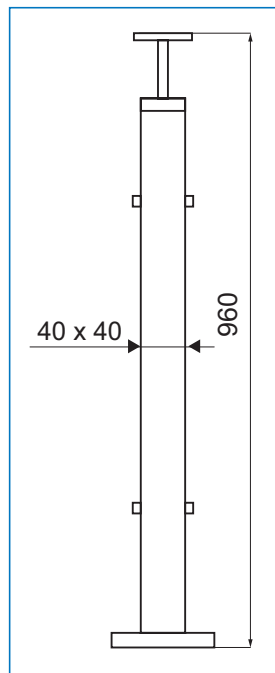
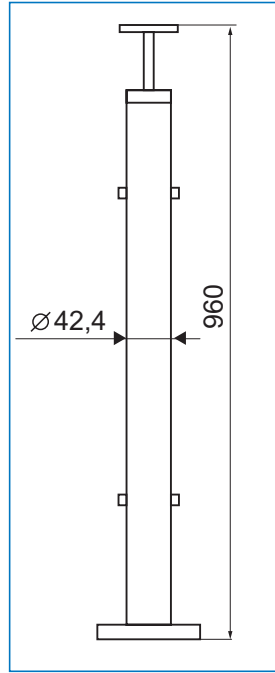
Round w/fixed handrail top f/ $\varnothing 42,2$ mm tubes

W/ 2 through holes # 22.10.360

Packing:

1 post incl. mounting screws M8 x 14 mm for fixing of glass clamps. Incl. base cover & 4 floor plugs and screws

Glass clamps to be ordered separately.



Flexible handrail top



BALUSTER POSTS IN SS-304 & SS-316

Ø42,4 X 1150 MM

Application:

Baluster posts w/round tube
F/balconies, balustrades, stair cases etc.

Material:

Brushed stainless steel 304 & 316

Specifications:

Supplied with or without pre-tapped holes
For mounting of glass clamps.
Handrail tops to be ordered separately

Size: ø42,4 x 2 x 1150 mm

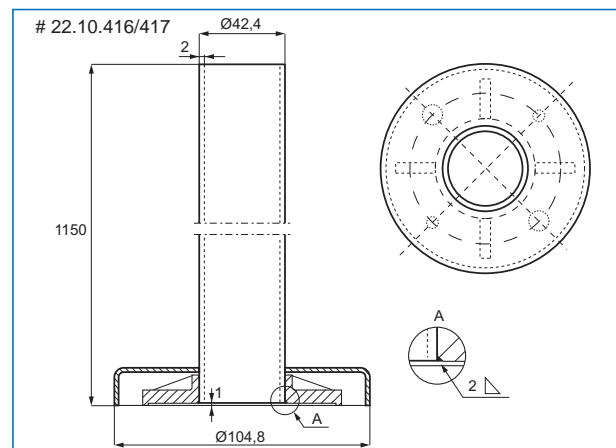
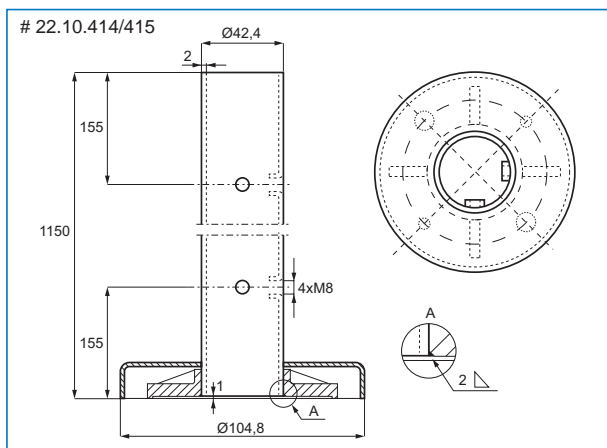
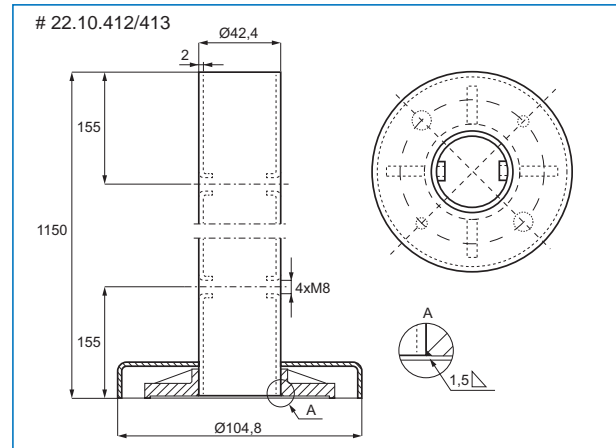
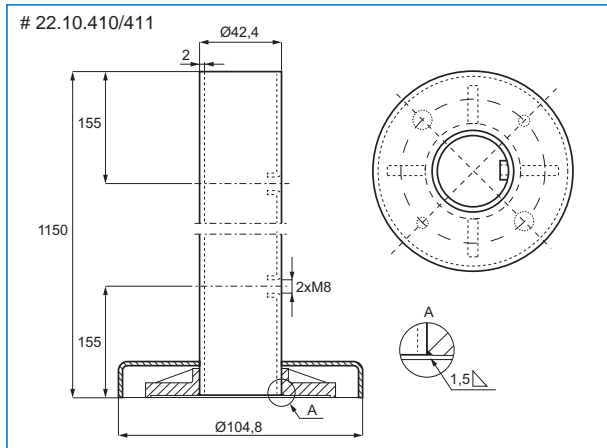
Model:

- End Baluster – 2 holes on 1 side
- SS-304 # 22.10.410
- SS-316 # 22.10.411

- 180° Baluster – 4 holes on 2 sides
- SS-304 # 22.10.412
- SS-316 # 22.10.413

- 90° Baluster – 4 holes on 2 sides
- SS-304 # 22.10.414
- SS-316 # 22.10.415

- Baluster – No holes
- SS-304 # 22.10.416
- SS-316 # 22.10.417



RAIL SUPPORTS F/ROUND BALUSTER POSTS IN SS-304 & SS-316

- high quality furniture fittings



Application:

To be used with Baluster posts w/round tube.

Material:

Brushed stainless steel 304 & 316

Specifications:

Supplied with fixed or flexible top

Size: $\varnothing 42,4 \times 2 \times 79/81$ mm

Model:

Flat fixed support f/Square handrails

SS-304 # 22.10.398

SS-316 # 22.10.399

Round fixed support f/Round handrails

SS-304 # 22.10.400

SS-316 # 22.10.401

Flat flexible support f/Square handrails

SS-304 # 22.10.402

SS-316 # 22.10.403

Round flexible support f/Round handrails

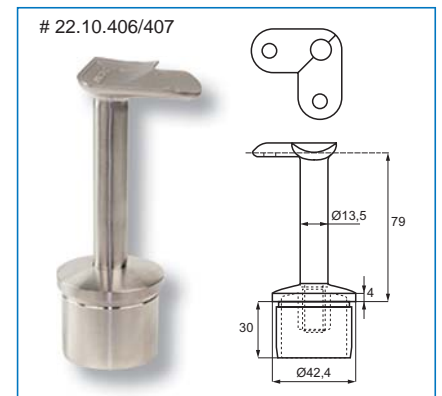
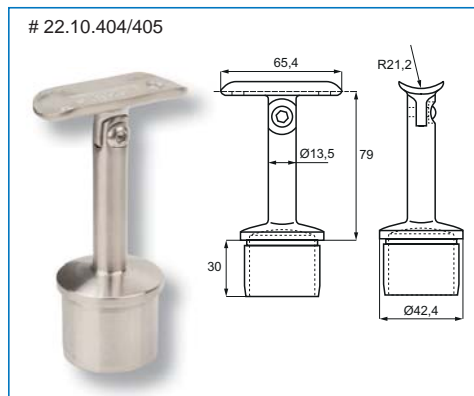
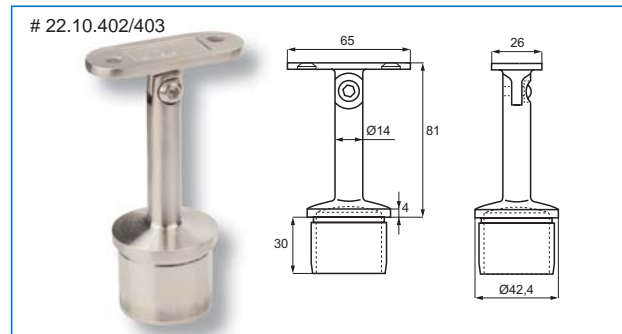
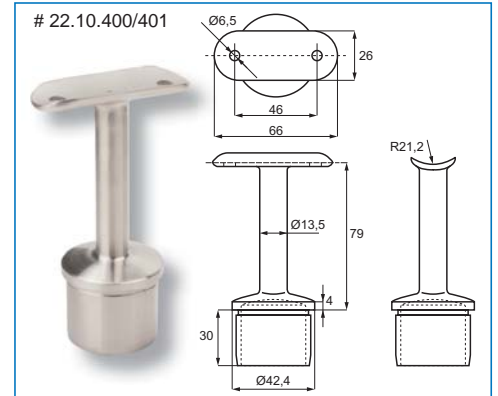
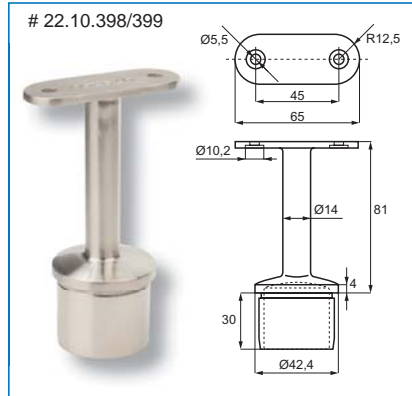
SS-304 # 22.10.404

SS-316 # 22.10.405

90° Round fixed support f/Round handrails

SS-304 # 22.10.406

SS-316 # 22.10.407



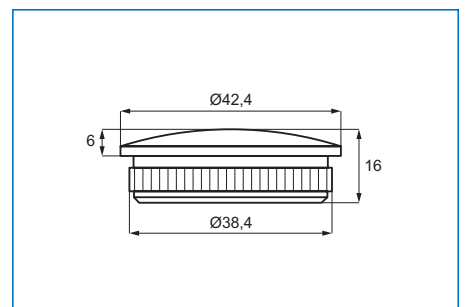
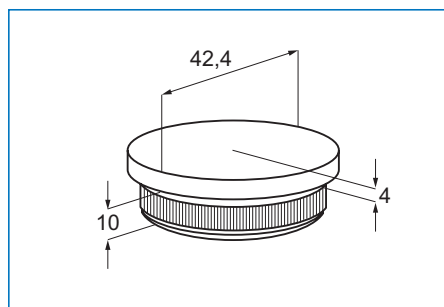
END CAPS F/ROUND BALUSTER POSTS IN SS-304 & SS-316

Flat end cap

SS-304 # 22.10.460

Domed ripped end cap

SS-316 # 22.10.461



BALUSTER POSTS IN SS-304 & SS-316

40 X 40 X 1150 MM

Application:

Baluster posts w/square tubes
F/balconies, balustrades, stair cases etc.

Material:

Brushed stainless steel 304 & 316

Specifications:

Supplied with or without pre-tapped holes
For mounting of glass clamps.
Handrail tops to be ordered separately

Size: 40 x 40 x 2 x 1150 mm

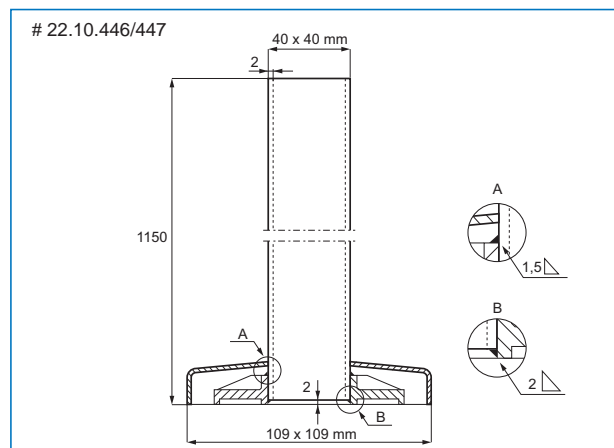
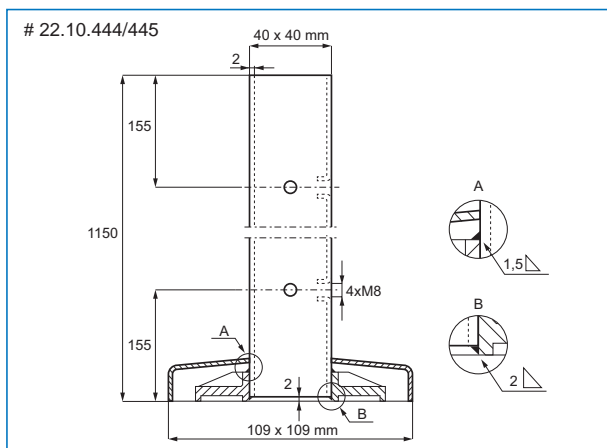
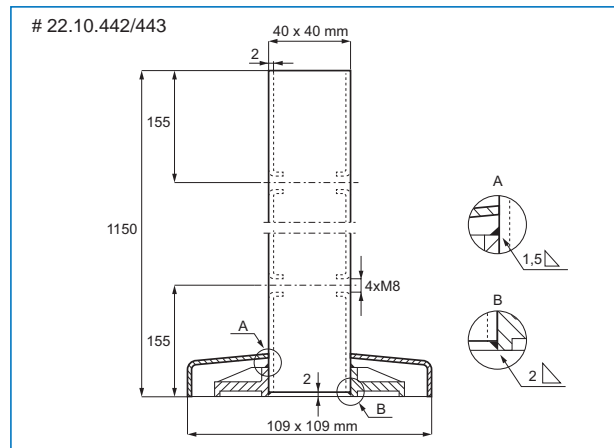
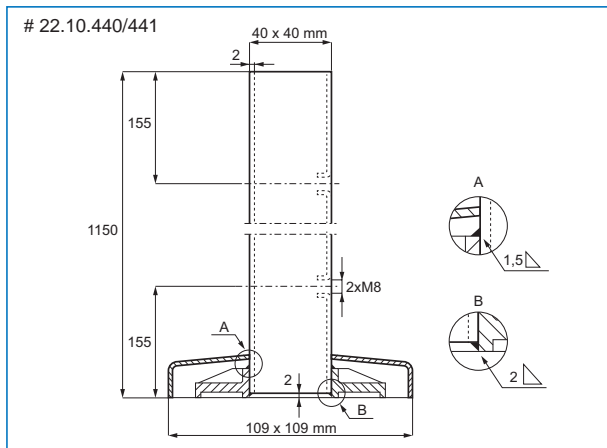
Model:

- End Baluster – 2 holes on 1 side
- SS-304 # 22.10.440
- SS-316 # 22.10.441

- 180° Baluster – 4 holes on 2 sides
- SS-304 # 22.10.442
- SS-316 # 22.10.443

- 90° Baluster – 4 holes on 2 sides
- SS-304 # 22.10.444
- SS-316 # 22.10.445

- Baluster – No holes
- SS-304 # 22.10.446
- SS-316 # 22.10.447



RAIL SUPPORTS F/SQUARE BALUSTER POSTS IN SS-304 & SS-316

- high quality furniture fittings



Application:
To be used with Baluster posts w/square tube.

Material:
Brushed stainless steel 304 & 316

Specifications:
Supplied with fixed or flexible top

Size: 40 x 40 x 2 x 79/81 mm

Model:

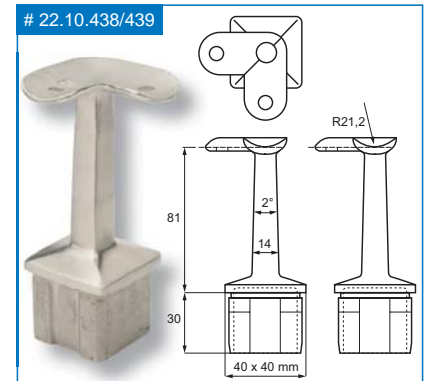
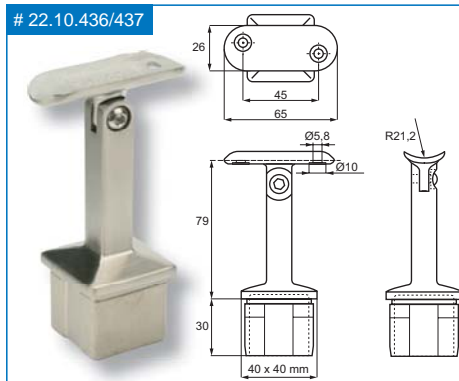
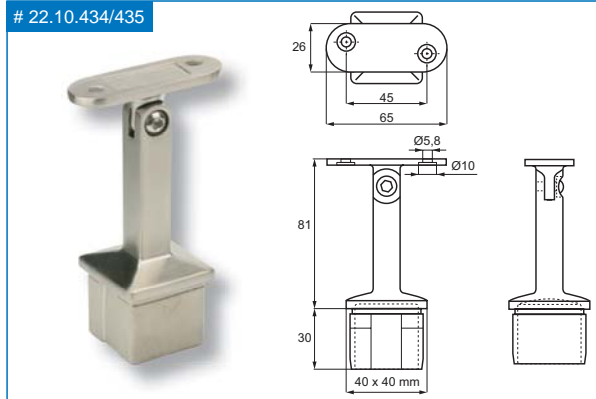
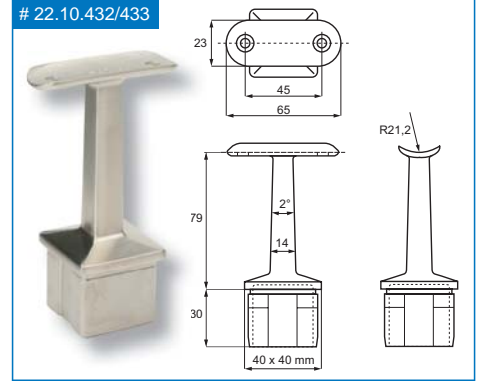
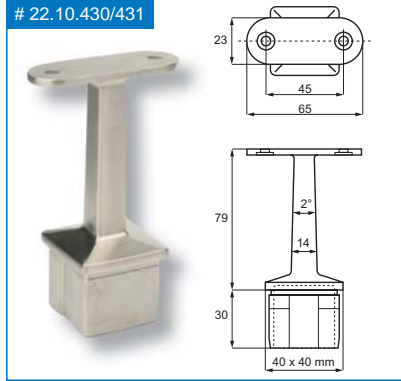
Flat fixed support f/Square handrails
SS-304 # 22.10.430
SS-316 # 22.10.431

Round fixed support f/Round handrails
SS-304 # 22.10.432
SS-316 # 22.10.433

Flat flexible support f/Square handrails
SS-304 # 22.10.434
SS-316 # 22.10.435

Round flexible support f/Round handrails
SS-304 # 22.10.436
SS-316 # 22.10.437

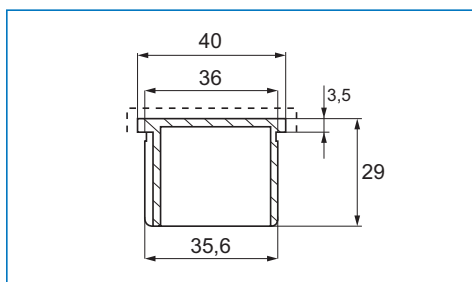
90° Round fixed support f/Round handrails
SS-304 # 22.10.438
SS-316 # 22.10.439



END CAP F/SQUARE BALUSTER POSTS IN SS-316

Flat end cap

SS-316 # 22.10.466



BLIND RIVET NUTS & TOOLING F/BALUSTER POSTS

Application:

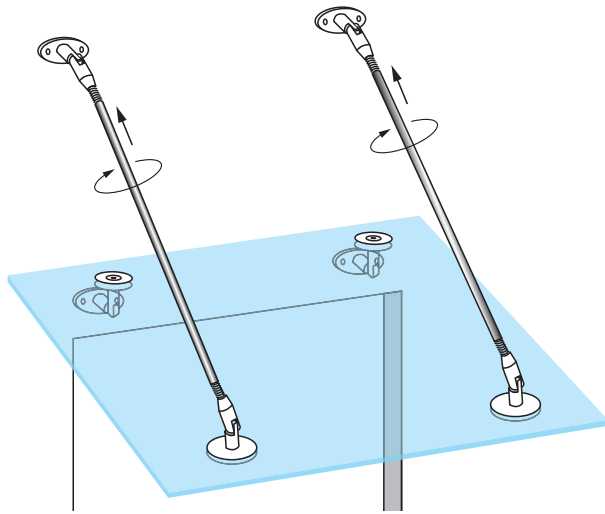
To be used with Baluster posts without pre-drilled holes.

Rivet - SS-304 # 22.10.450
Rivet - SS-316 # 22.10.451

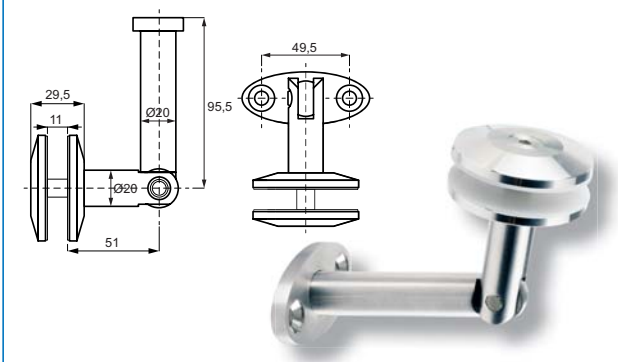
Tool # 22.10.452



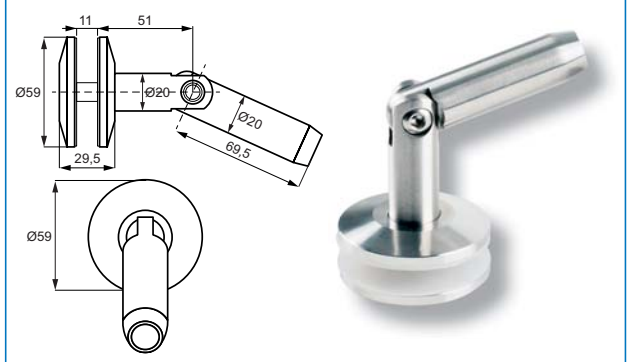
Material: SS-316, Brushed
Glass thickness: 12,76 mm
Max glass size: 750 x 1500 mm
Drill: Ø12 mm



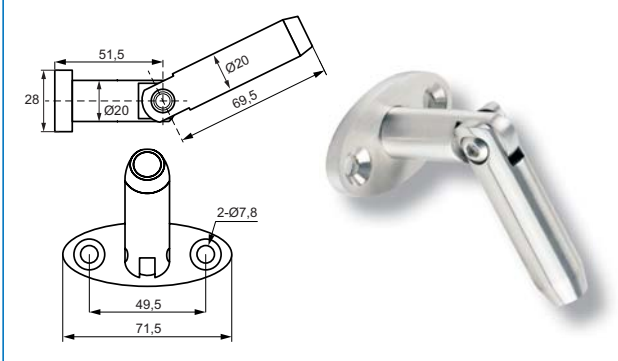
Glass/wall corner connector # 22.10.500



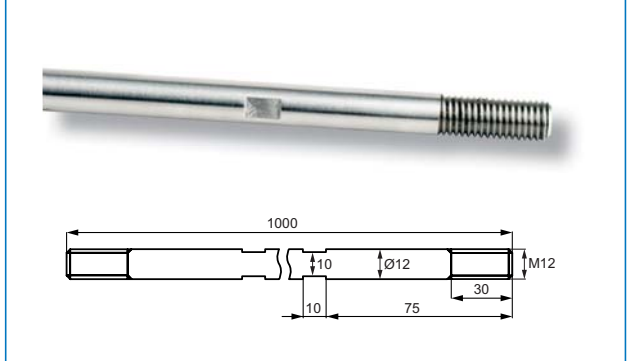
Glass/rod corner connector # 22.10.501



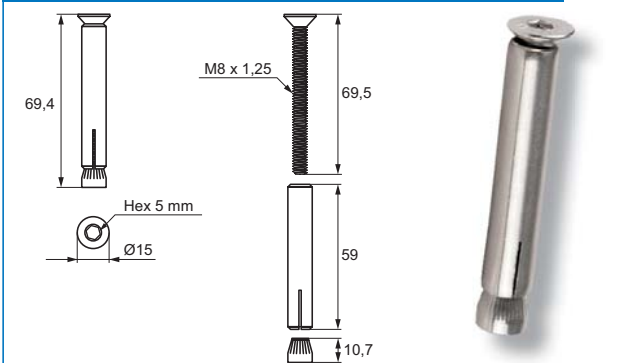
Wall/rod corner connector # 22.10.502



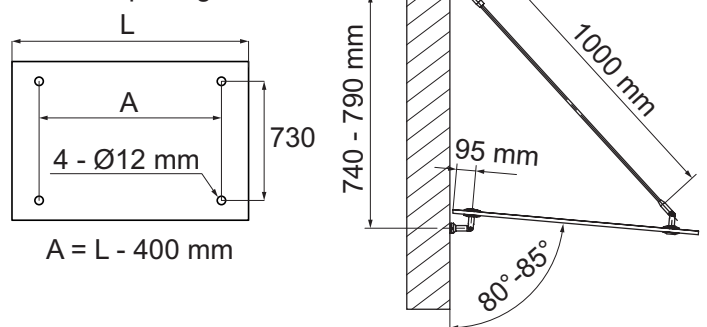
Rod connector 1000 mm # 22.10.503



Expansion Bolt SS-316, M8 x 1,25 x 70 mm # 22.10.502-9



Glass openings



MAGNETIC TOUCH LATCHES

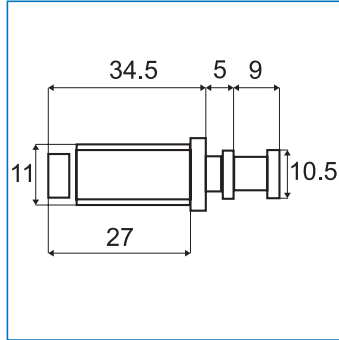
- high quality furniture fittings

MAGNETIC TOUCH LATCH

Knock in type
- No striker included

Finish: Black Plastic # 22.01.095
Bore: Ø 11 x 38 mm

Packing
350 pcs per box
2800 pcs per export carton

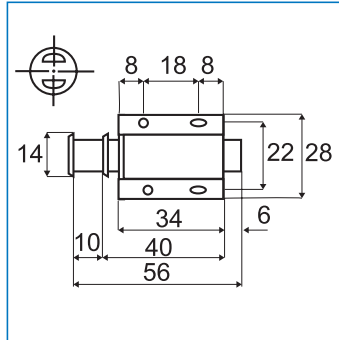


MAGNETIC TOUCH LATCH - SINGLE

Screw on - No striker included
- round type

Finish: black plastic # 22.01.070
Fixation: c.c. 22 mm

Packing
250 pcs per box
1000 pcs per export carton

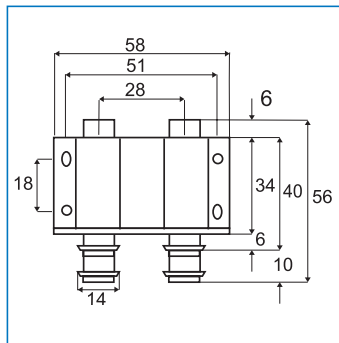


MAGNETIC TOUCH LATCH - DOUBLE

Screw on - no striker included
- round type

Finish: black plastic # 22.01.088
Fixation: c.c. 18 mm/51 mm

Packing
500 pcs per box

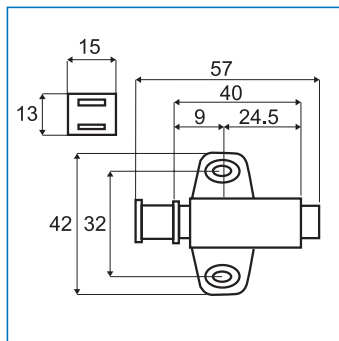


MAGNETIC TOUCH LATCH - SINGLE

Screw on - no striker included
- square type

Finish: black plastic # 22.01.075
Fixation: c.c. 32 mm

Packing
250 pcs per box
1000 pcs per export carton

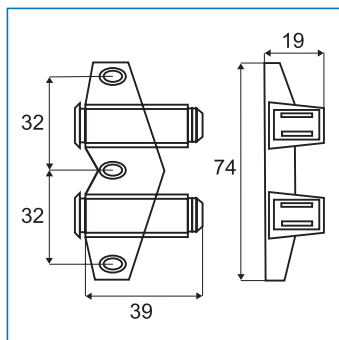


MAGNETIC TOUCH LATCH - DOUBLE

Screw on - no striker included
- square type

Finish: black plastic # 22.01.087
Fixation: c.c. 32 mm/64 mm

Packing
125 pcs per box
500 pcs per export carton



TOUCH LATCHES "PUSH-TO-OPEN"

MAGNET TOUCH LATCH "SLIM" W/STRIKER

Application: Push-to-open touch latch for doors and drawers with magnet & striker. Suitable for wood & glass fronts

Material: Black ABS, White ABS, Grey ABS RAL 7040

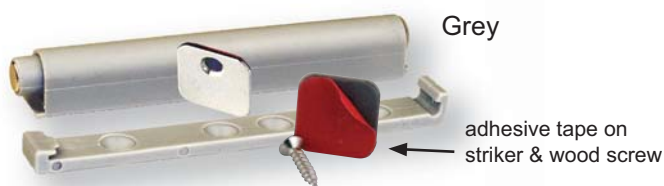
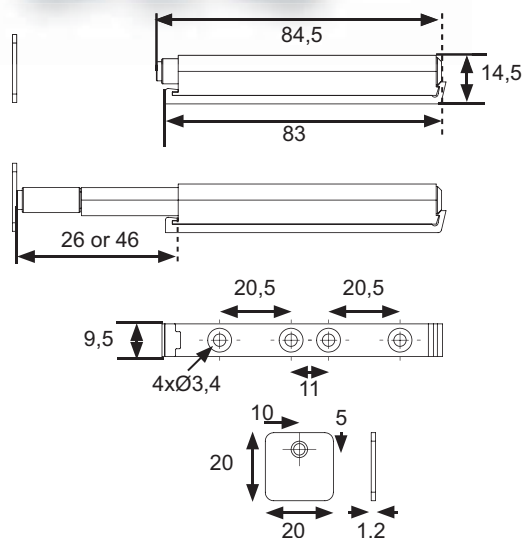
Overall size: 84,5 mm x 14,5 mm

Extended: 105 mm

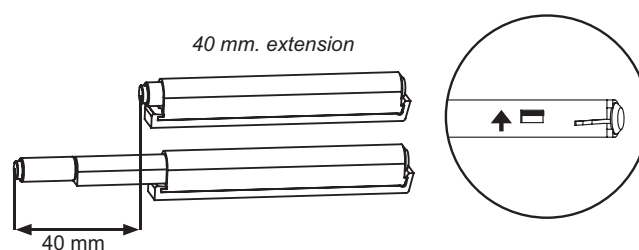
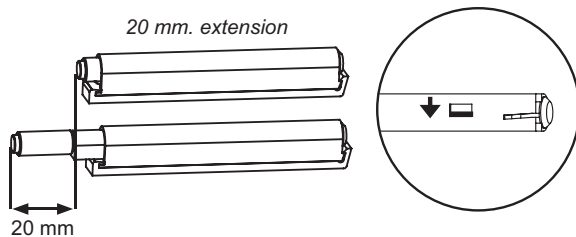
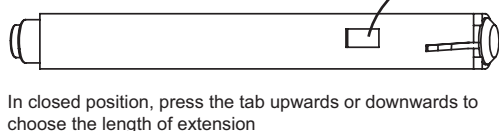
Item No.: # 22.01.104 (White)
22.01.105 (Black)
22.01.106 (Grey)

Incl. Steel striker 20 x 20 mm with adhesive tape for glass fixing & screw hole for wood fixing.

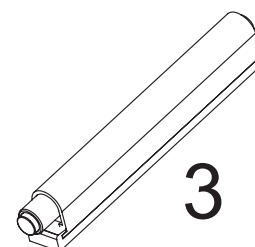
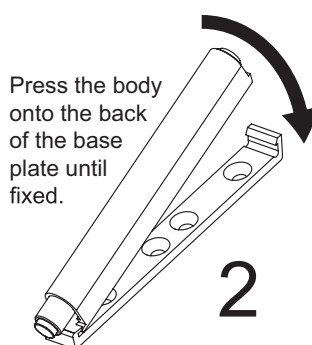
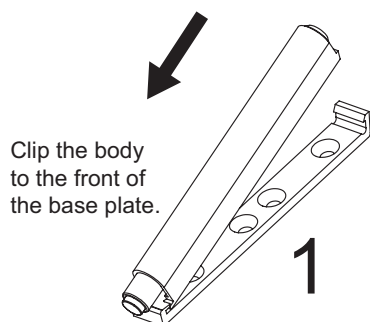
Screws to be ordered separately



CHANGE OF EXTENSION LENGTH



Mounting of latch



STRIKING PLATES

- high quality furniture fittings

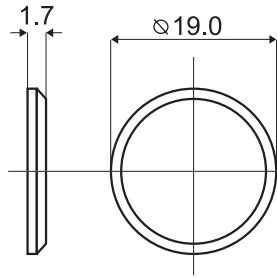
SISO
DENMARK

ROUND STRIKER - SELF ADHESIVE

For Rigid Fixation
- Stick On Type

Material: Steel
Nickel plated
Diameter: Ø 19 mm

22.01.118



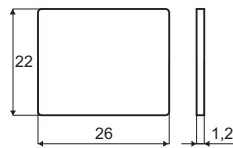
SQUARE STRIKER - SELF ADHESIVE

For Rigid Fixation
- Stick On Type

Material: Steel
Nickel plated

22.01.127

Size: 26 x 22 mm



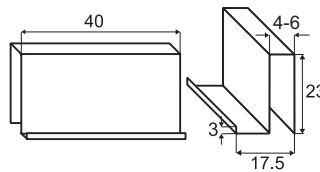
CATCH PLATE - GLASS

with Handle & Pad
Size: 23 x 40 mm
4-6 mm glass thickness

Material: Steel
Chrome plate # 22.03.015
Black anodized # 22.03.016
Brass plated # 22.03.017

Packing

200 pcs per box
1000 pcs per export carton



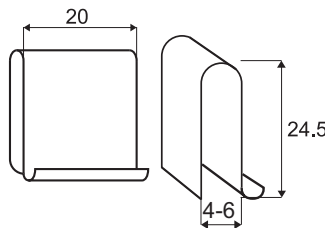
CATCH PLATE - GLASS

With Handle
Model: #558
Size: 20 x 20 mm
4-6 mm glass thickness

Material: Steel
Black anodized # 22.03.018

Packing

200 pcs per box
2000 pcs per export carton



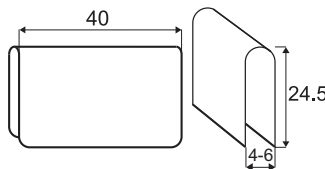
CATCH PLATE - GLASS

With Pad
Size: 40 x 25 mm
4-6 mm glass thickness

Material: Steel
Black anodized # 22.03.111
Chrome plated # 22.03.115

Packing

200 pcs per box
1000 pcs per export carton



GLASS DOOR HINGES „MINI“ WITH FRONT COVER

AUTOMATIC GLASS DOOR HINGE WITH DOUBLE SPRING ACTION

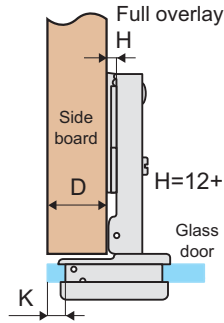
Opening angle: 92°
Glass door drilling:
26 mm for glass thickness 4 to 6 mm
Supplied complete with wing mounting plate.
Steel nickel pl. 3 mm distance
for chipboard screw attachment
housing: plastic black
Hingearm keyhole type,
steel nickel pl.

TYPE A = FULL OVERLAY DOORS

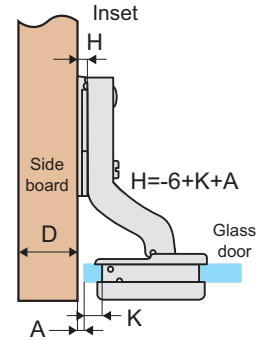
0 mm cranking # 15.01.700

TYPE C = INSET DOORS

17 mm cranking # 15.01.710

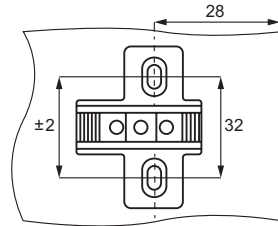
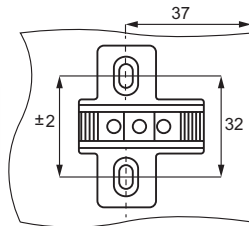


Application case
of glass hinge Ø26 mm
H - height of mounting plate
D - panel thickness
K - drilling distance from
the edge of glass door
to the edge of the hole
A - gap between door
and side board



$\frac{D}{H}$	$\frac{K}{H}$	3	4	5	6	7
0	0	15	16	17	18	19

$\frac{A}{H}$	$\frac{K}{H}$	3	4	5	6	7
0	0	3	2	1	0	-1

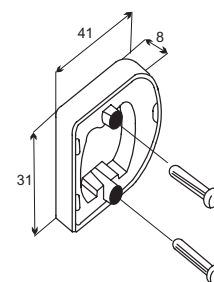
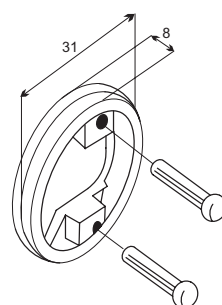


COVER CAPS FOR HINGE „MINI“

FRONT COVER PLASTIC

Round cover, chrome # 15.02.720
Round cover, gold # 15.02.721
Round cover, black # 15.02.722
Round cover, alu # 15.02.723
Round cover, matt NPL # 15.02.724

Oval cover, chrome # 15.02.730
Oval cover, gold # 15.02.731
Oval cover, black # 15.02.732
Oval cover, alu # 15.02.733
Oval cover, matt NPL # 15.02.734



GLASS DOOR HINGE „SMART-92°“ WITH FRONT COVER

- high quality furniture fittings



GLASS DOOR HINGE „SMART-92°“

Application

For inset doors. Ideal for furniture where only a very narrow wooden side-wall/pole is available. Direct fixing to side-wall/pole without any mounting plate

Mounting

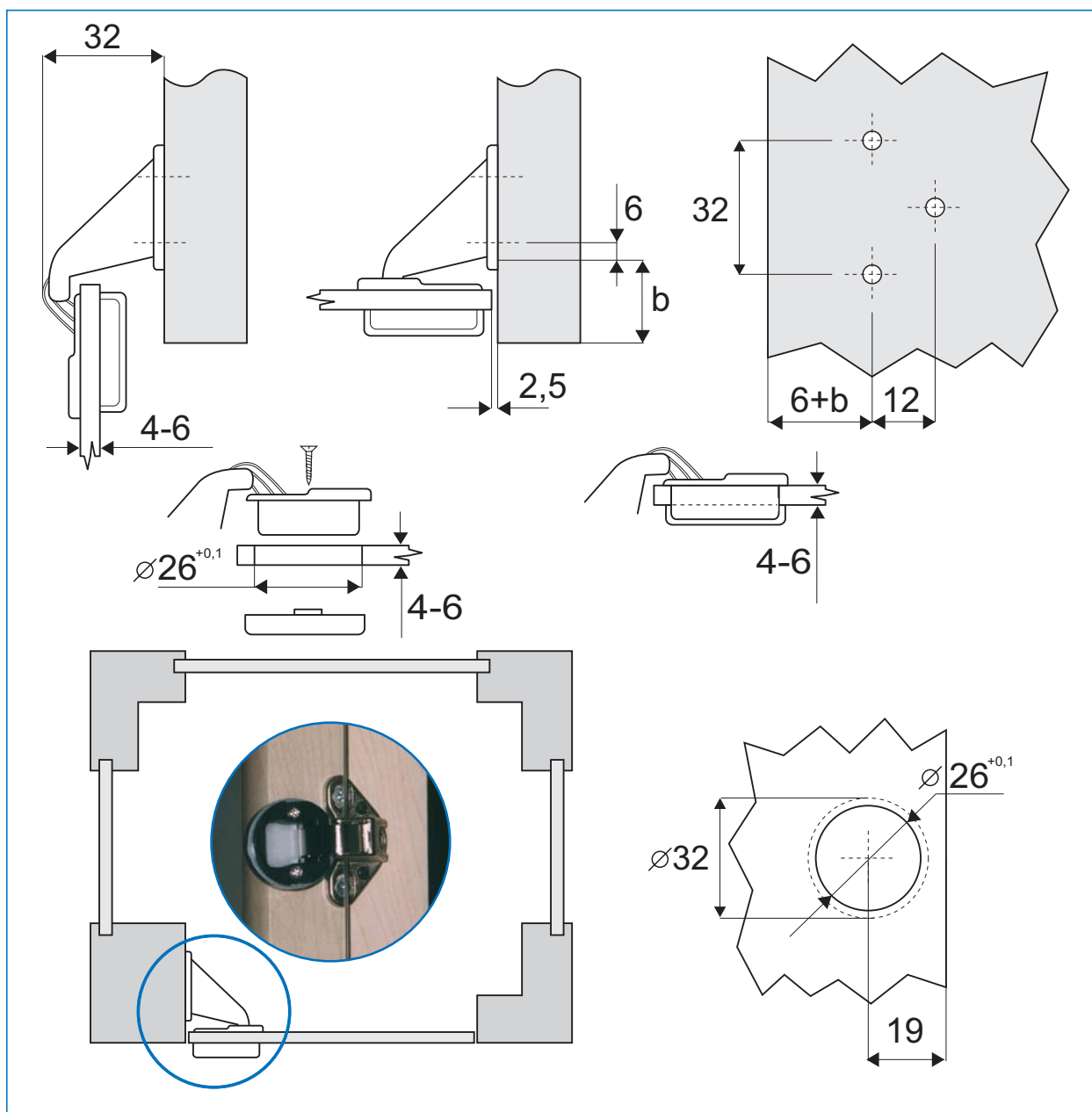
Glass door drilling: $\varnothing 26$ mm
Glass thickness: 4-6 mm
C.C. 32 mm

Material

Hinge arm: Zamak, nickel plated
Hinge cup: Black plastic
Item No. # 15.01.000
Plastic cover cap $\varnothing 32$ mm

Finish

Alu finish # 15.01.050

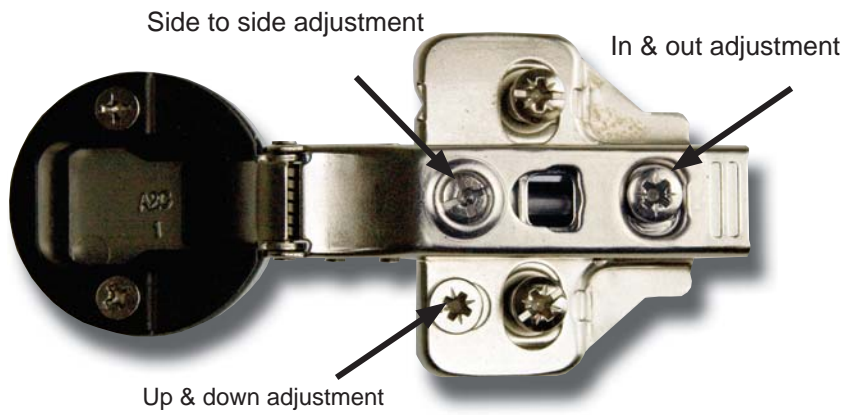


SOFT CLOSE MINI GLASS DOOR HINGE Ø 26 MM - 95°

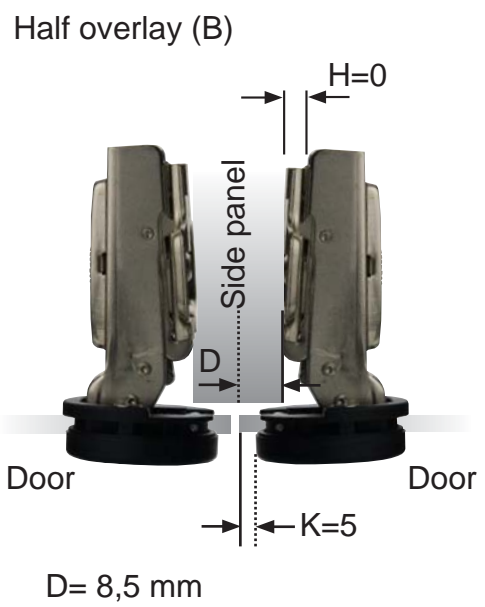


Standard model

Hinge w/mounting plate f/easy up & down adjustment (optional)



- H** = height of mounting plate
- D** = required door overlay
- K** = drilling distance from the edge of door to the edge of the cup hole
- A** = gap between door and sidepanel



SOFT CLOSE MINI GLASS DOOR HINGE Ø 26 MM - 95°

- high quality furniture fittings


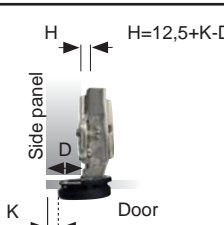

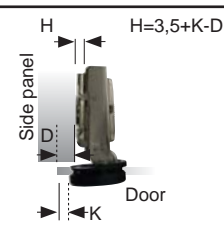

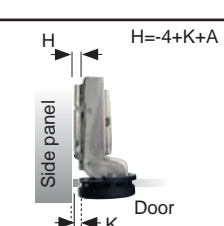

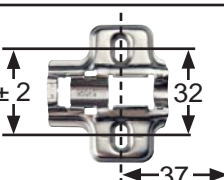

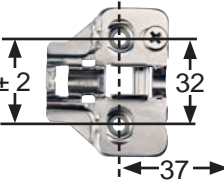






Cup drawing



Opening angle: 95°
 Depth of hinge cup: 10,6 mm
 Diameter of hinge cup: 26 mm
 Possible drilling distances on the glass door (K): 4-7 mm
 Glass door thickness: 4-6 mm



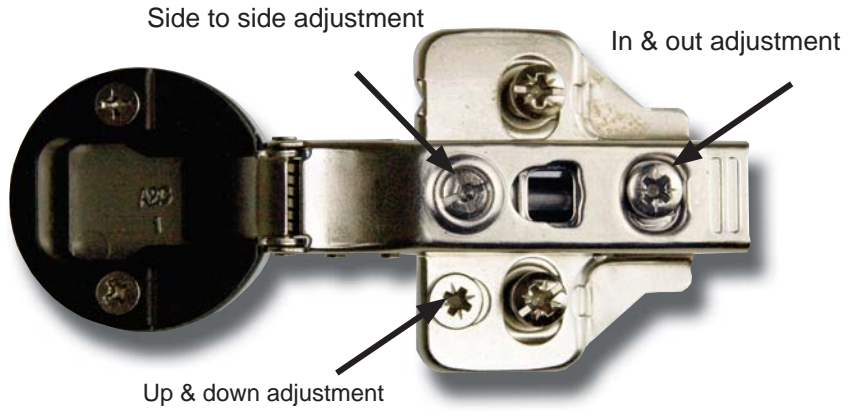
Steel - Nickel Plated		Item No.	D: Overlay calculations	A: Gap calculations																		
Full overlay (A) 		15.01.720 Incl. SISO name plate + mounting plate H = 0	<table border="1"> <tr> <th>D \ K</th> <th>3</th> <th>4</th> <th>5</th> </tr> <tr> <th>0</th> <td>15,5</td> <td>16,5</td> <td>17,5</td> </tr> <tr> <th>2</th> <td>13,5</td> <td>14,5</td> <td>15,5</td> </tr> <tr> <th>4</th> <td>11,5</td> <td>12,5</td> <td>13,5</td> </tr> </table>	D \ K	3	4	5	0	15,5	16,5	17,5	2	13,5	14,5	15,5	4	11,5	12,5	13,5			
D \ K	3	4	5																			
0	15,5	16,5	17,5																			
2	13,5	14,5	15,5																			
4	11,5	12,5	13,5																			
Half overlay (B) 		15.01.721 Incl. SISO name plate + mounting plate H = 0	<table border="1"> <tr> <th>D \ K</th> <th>3</th> <th>4</th> <th>5</th> </tr> <tr> <th>0</th> <td>6,5</td> <td>7,5</td> <td>8,5</td> </tr> <tr> <th>2</th> <td>4,5</td> <td>5,5</td> <td>6,5</td> </tr> <tr> <th>4</th> <td>2,5</td> <td>3,5</td> <td>4,5</td> </tr> </table>	D \ K	3	4	5	0	6,5	7,5	8,5	2	4,5	5,5	6,5	4	2,5	3,5	4,5			
D \ K	3	4	5																			
0	6,5	7,5	8,5																			
2	4,5	5,5	6,5																			
4	2,5	3,5	4,5																			
Inset (C) 		15.01.722 Incl. SISO name plate + mounting plate H = 0	<table border="1"> <tr> <th>A \ K</th> <th>3</th> <th>4</th> <th>5</th> </tr> <tr> <th>0</th> <td>1</td> <td>0</td> <td>-1</td> </tr> <tr> <th>2</th> <td>3</td> <td>2</td> <td>1</td> </tr> </table>	A \ K	3	4	5	0	1	0	-1	2	3	2	1							
A \ K	3	4	5																			
0	1	0	-1																			
2	3	2	1																			
		H = 0 f/chipboard screws Clip-on	Delivered as standard mounting plate with all hinges. Chipboard screws to be ordered separately.																			
		15.03.728-0 H = 0 f/euro screws Clip-on	To be ordered separately if easy up & down adjustment is wanted. Pre-mounted euro screws included.																			
																						
15.01.830 , ABS Chrome plated cover	15.01.831 , ABS Alu plated cover	15.01.820 , ABS Chrome plated cover	15.01.821 , ABS Alu plated cover																			

SOFT CLOSE MAXI GLASS DOOR HINGE Ø 35 MM -100°

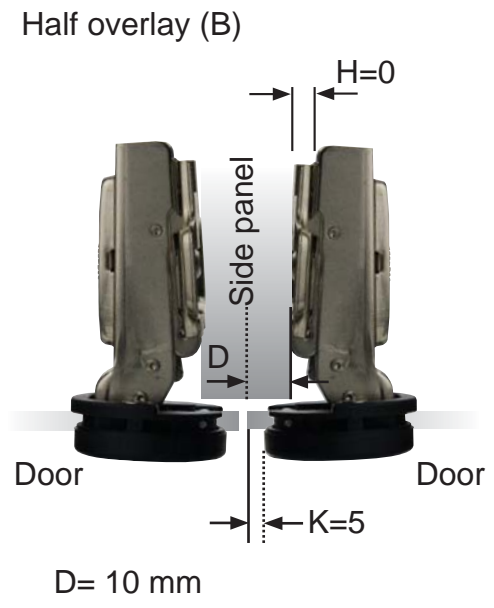


Standard model

Hinge w/mounting plate f/easy up & down adjustment (optional)



- H = height of mounting plate
- D = required door overlay
- K = drilling distance from the edge of door to the edge of the cup hole
- A = gap between door and sidepanel



SOFT CLOSE MAXI GLASS DOOR HINGE Ø 35 MM -100°

- high quality furniture fittings


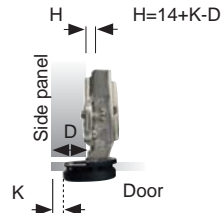

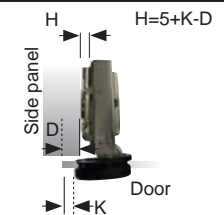

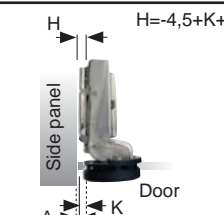

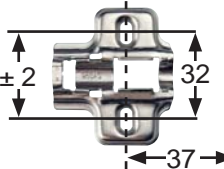

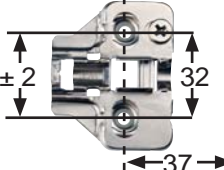






Cup drawing



Opening angle: 100°
 Depth of hinge cup: 11,3 mm
 Diameter of hinge cup: 35 mm
 Possible drilling distances on the glass door (K): 4-8 mm
 Glass door thickness: 4-6 mm



Steel - Nickel Plated		Item No.	D: Overlay calculations	A: Gap calculations																												
Full overlay (A) 		15.01.715 Incl. SISO name plate + mounting plate H = 0	<table border="1"> <tr> <th>D \ K</th> <th>3</th> <th>4</th> <th>5</th> <th>6</th> <th>7</th> </tr> <tr> <th>0</th> <td>17</td> <td>18</td> <td>19</td> <td>20</td> <td>21</td> </tr> <tr> <th>2</th> <td>15</td> <td>16</td> <td>17</td> <td>18</td> <td>19</td> </tr> <tr> <th>4</th> <td>13</td> <td>14</td> <td>15</td> <td>16</td> <td>17</td> </tr> </table>	D \ K	3	4	5	6	7	0	17	18	19	20	21	2	15	16	17	18	19	4	13	14	15	16	17					
D \ K	3	4	5	6	7																											
0	17	18	19	20	21																											
2	15	16	17	18	19																											
4	13	14	15	16	17																											
Half overlay (B) 		15.01.716 Incl. SISO name plate + mounting plate H = 0	<table border="1"> <tr> <th>D \ K</th> <th>3</th> <th>4</th> <th>5</th> <th>6</th> <th>7</th> </tr> <tr> <th>0</th> <td>8</td> <td>9</td> <td>10</td> <td>11</td> <td>12</td> </tr> <tr> <th>2</th> <td>6</td> <td>7</td> <td>8</td> <td>9</td> <td>10</td> </tr> <tr> <th>4</th> <td>4</td> <td>5</td> <td>6</td> <td>7</td> <td>8</td> </tr> </table>	D \ K	3	4	5	6	7	0	8	9	10	11	12	2	6	7	8	9	10	4	4	5	6	7	8					
D \ K	3	4	5	6	7																											
0	8	9	10	11	12																											
2	6	7	8	9	10																											
4	4	5	6	7	8																											
Inset (C) 		15.01.717 Incl. SISO name plate + mounting plate H = 0	<table border="1"> <tr> <th>A \ K</th> <th>3</th> <th>4</th> <th>5</th> <th>6</th> <th>7</th> </tr> <tr> <th>0</th> <td>1,5</td> <td>0,5</td> <td>0,5</td> <td>-1,5</td> <td>-2,5</td> </tr> <tr> <th>2</th> <td>3,5</td> <td>2,5</td> <td>1,5</td> <td>0,5</td> <td>-0,5</td> </tr> <tr> <th>4</th> <td>5,5</td> <td>4,5</td> <td>3,5</td> <td>2,5</td> <td>1,5</td> </tr> </table>	A \ K	3	4	5	6	7	0	1,5	0,5	0,5	-1,5	-2,5	2	3,5	2,5	1,5	0,5	-0,5	4	5,5	4,5	3,5	2,5	1,5					
A \ K	3	4	5	6	7																											
0	1,5	0,5	0,5	-1,5	-2,5																											
2	3,5	2,5	1,5	0,5	-0,5																											
4	5,5	4,5	3,5	2,5	1,5																											
		H = 0 f/chipboard screws Clip-on	Delivered as standard mounting plate with all hinges. Chipboard screws to be ordered separately.																													
		15.03.728-0 H = 0 f/euro screws Clip-on	To be ordered separately if easy up & down adjustment is wanted. Pre-mounted euro screws included.																													
		15.01.810 , ABS Chrome plated cover			15.01.811 , ABS Alu plated cover	15.01.800 , ABS Chrome plated cover	15.01.801 , ABS Alu plated cover																									

GLASS DOOR HINGE „NICE“

MODEL „NICE“

Finish

Chrome plated w/catch # 15.06.450

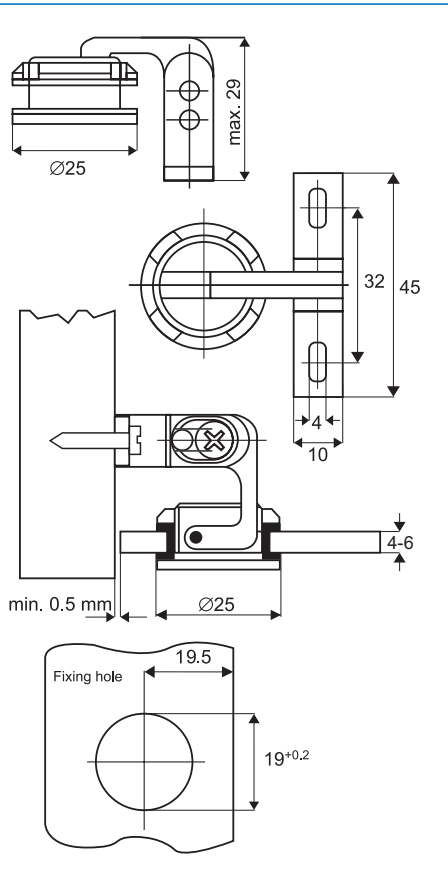
Material

Brass

Mounting

Inset doors 4-6 mm thickness
without catch

Opening angle: 105°
universal top or bottom
height can be adjusted.
Drill size 19 mm diam.



GLASS DOOR HINGE „GRACE“ SS304 FOR WOOD/GLASS

MODEL „GRACE“

Mounting: Glass: \varnothing 10 mm boring holes
Wood: 7 x 4 mm screw holes

Material: Stainless steel 304 - polished

Hinge size: 52 x 31 x 13 mm (H/W/D)

Glass thickness: 5 - 8,76 mm

Max door size: 650 x 900 mm

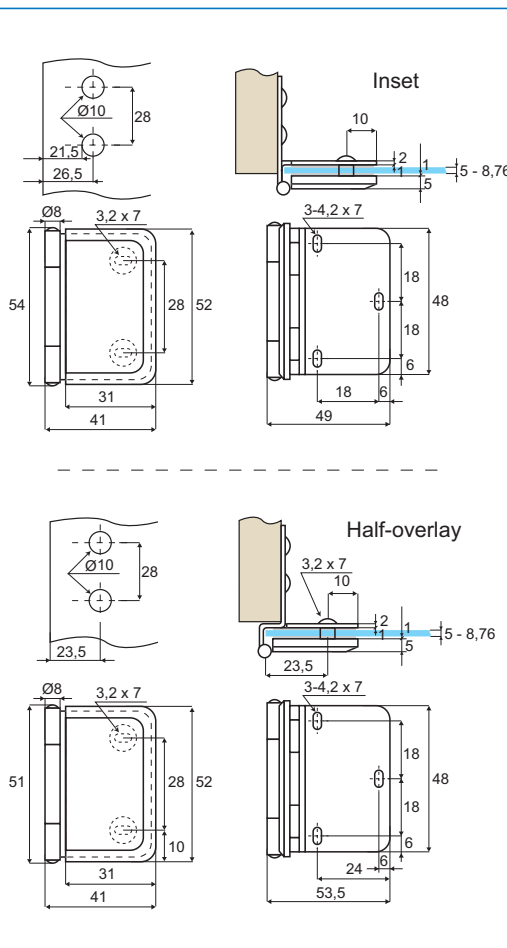
Max door weight: 6 kg per hinge

Function: Inset or half-overlay
Opening 180°

Inset: # 15.06.470

Half-overlay: # 15.06.471

Each hinge is supplied with 2 white cushions 1 mm thickness



GLASS DOOR HINGE "SOFIA" GLASS TO GLASS 180°

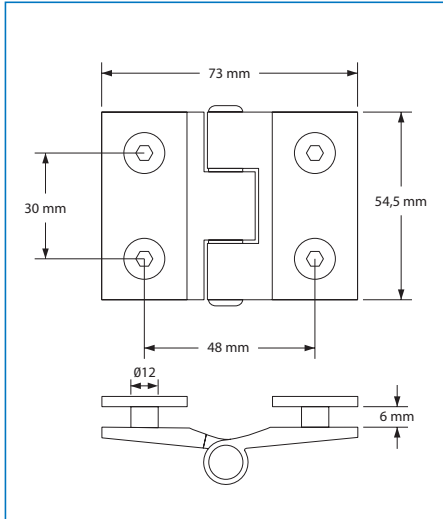
Application:
Suitable for glass door
Drilling/cutting required

Opening: 180°
Glass thickness: 6 mm
Material: Brass

1 hinge consists of:
1 hinge 54,5 x 73 mm
4 transparent cushions 1 mm thickness
4 transparent tubes $\varnothing 12$ mm
1 L-shaped hex key 4 mm

Finish:
Chrome plated # 15.23.050

Packing:
20 pcs per carton



GLASS DOOR HINGE „ROME“ GLASS TO GLASS 180°

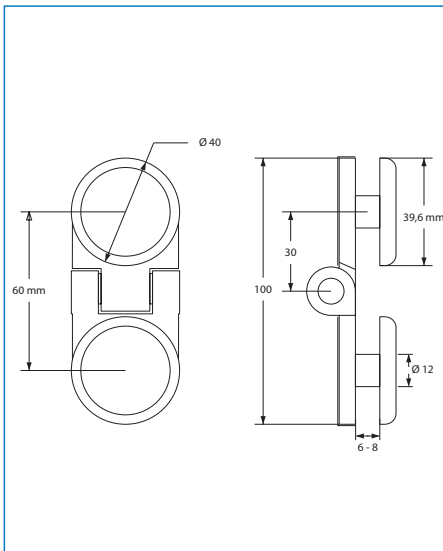
Application:
Suitable for glass door
Drilling/cutting required

Opening: 180°
Glass thickness: 6 - 8 mm
Material: Brass

1 hinge consists of:
1 hinge 100 x 40 mm
4 transparent cushions 1 mm thickness
2 transparent tubes $\varnothing 12$ mm
1 L-shaped hex key 4 mm

Finish:
Chrome plated # 15.23.055

Packing:
20 pcs per carton



GLASS CLAMP „ROME“ WALL TO GLASS 90°

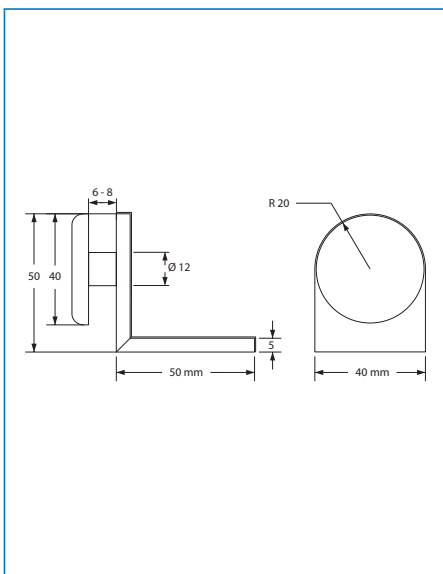
Application:
Suitable for glass door
Drilling/cutting required

Angle: 90°
Glass thickness: 6 - 8 mm
Material: Brass

1 clamp consists of:
1 clamp 50 x 50 mm
2 transparent cushions 1 mm thickness
1 transparent tubes $\varnothing 12$ mm
2 cover caps
1 L-shaped hex key 4 mm
1 wall plug
1 wall mounting screw

Finish:
Chrome plated # 15.23.770

Packing:
20 pcs per carton



GLASS DOOR HINGE „BOSCH“ GLASS/GLASS

Model „BOSCH“

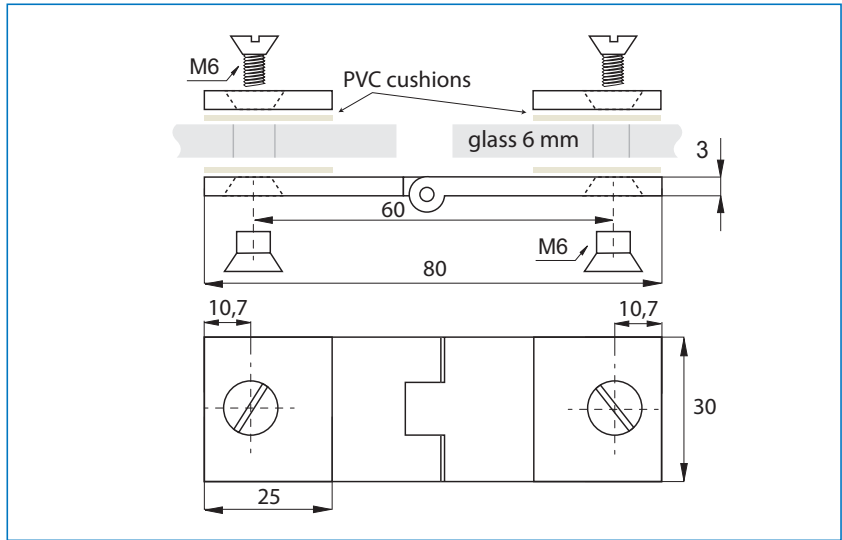
Material
3 mm brass

Hinge size: 30 x 80 mm (H/W)

Function
Inset or overlay doors

Glass thickness: 6 mm
Opening angle: 270°
Drilling: ø11 mm

Finish
Chrome plated # 15.06.500



GLASS DOOR HINGE “BOSCH” WALL/GLASS

MODEL „BOSCH“ F/WALL TO GLASS

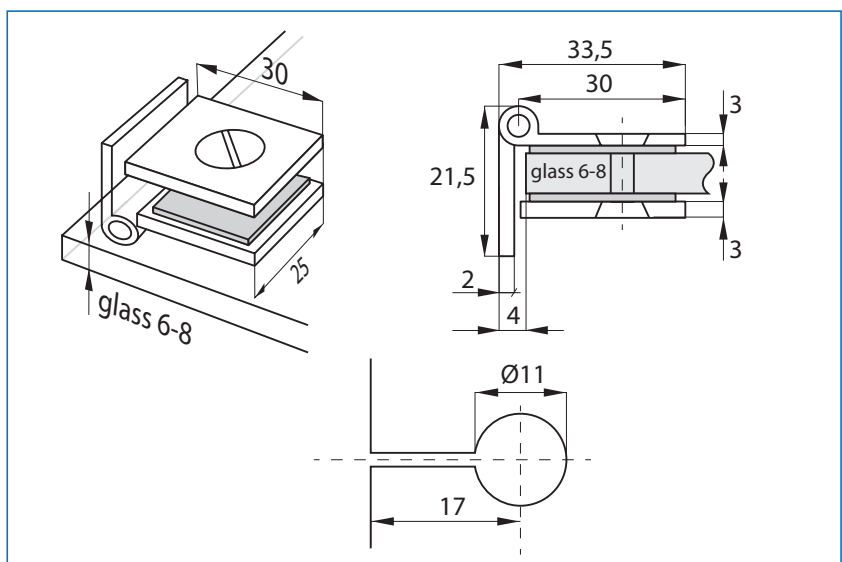
Material
Brass, Chrome plated

Size
Hinge: 25 x 30 mm (H/W)
Mounting plate: 25 x 12 mm (H/W)

Function
Inset doors

Glass thickness: 6 - 8 mm
Drilling: ø11 mm

Finish
Chrome plated # 15.06.520



GLASS DOOR HINGE „ELEGANT“

- high quality furniture fittings

MODEL „ELEGANT“

Material

Natural brass

Finish

Brushed natural brass # 15.06.460

Brushed nickel # 15.06.461

Mounting

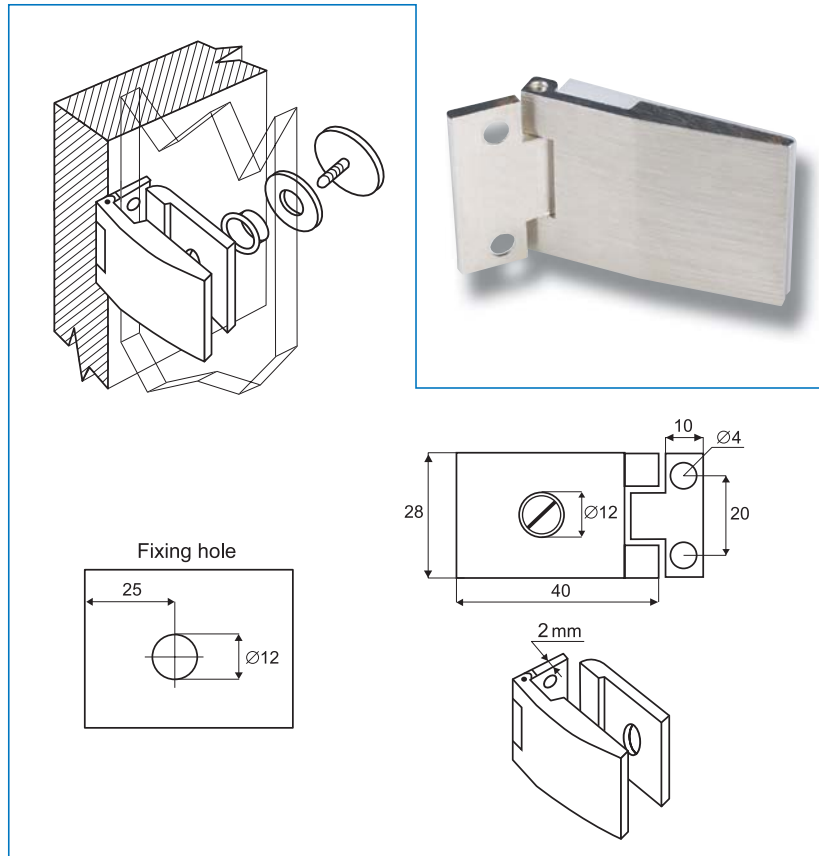
Inset doors 6 mm thickness

Opening 270°

Drill size 12 mm

Packing

40 pcs



GLASS DOOR HINGE "JONES"

MODEL "JONES"

Material

Brass, Chrome plated

Overlay doors 4-8 mm glass

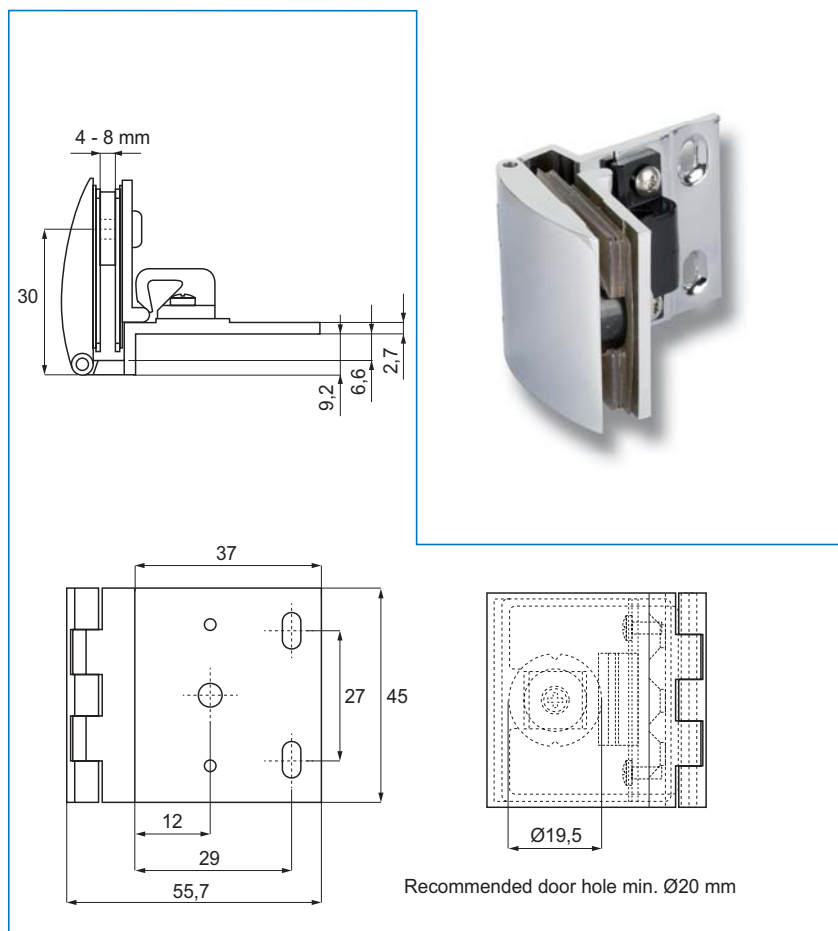
Drill size $\varnothing 19$ mm

Opening 170°

Max door weight: 15 kg per hinge

Item No.

15.06.472



LIFT-OFF BUTT HINGE SS304 FOR UV-GLUE

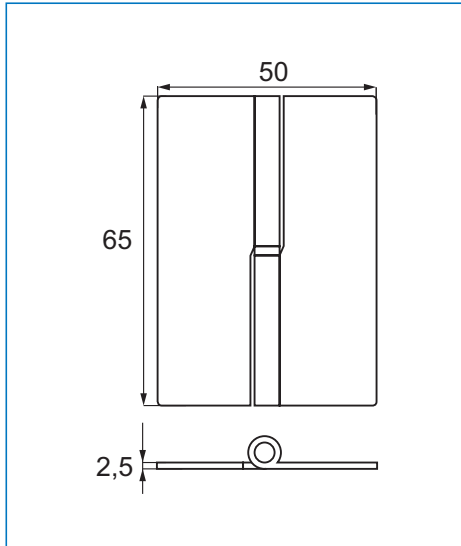
Mounting: By UV-glue B 682-0 from Bohle.
UV-lamp is needed

Material: 2,5 mm stainless steel 304 - polished

Hinge size: 65 X 50 mm (H/W)

Function: Inset doors
Max door width 500 mm
Load capacity: 7,5 KG per pair
Opening angle 270°
Glass thickness: 4-8 mm

Right hand: # 15.13.590
Left hand: # 15.13.600



BUTT HINGE SS304 FOR UV-GLUE

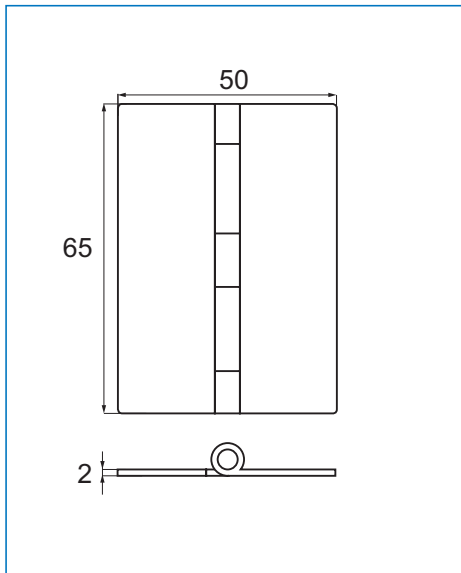
Mounting: By UV-glue B 682-0 from Bohle.
UV-lamp is needed

Material: 2 mm stainless steel 304 - polished

Hinge size: 65 x 50 mm (H/W)

Function: Inset doors
Max door width 500 mm
Load capacity: 7,5 KG per pair
Opening angle 270°
Glass thickness: 4-8 mm

Item No: # 15.13.105



GLASS DOOR HINGE BRASS FOR UV-GLUE

Mounting: By UV-glue B 682-0 from Bohle
UV-lamp is needed

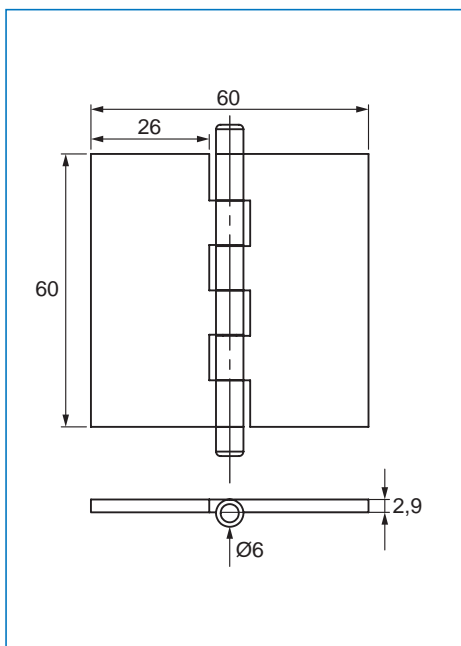
Material: 2,9 mm Brass - Chrome Plated

Hinge size: 60 x 60 mm (H/W)

Function: Inset doors
Max door width 500 mm

Load Capacity: 7,5 Kg per pair
Opening: 270°
Glass thickness: 4-8 mm

Finish: Chrome Plated (CPL) # 15.13.110
SS-Look (nickel brushed) # 15.13.111



PIVOT HINGE FOR UV GLUE, SS-304

- high quality furniture fittings

Description:

Pivot hinge for UV-glue, max 12 mm glass thickness, max load cap. 10 kg per pair.

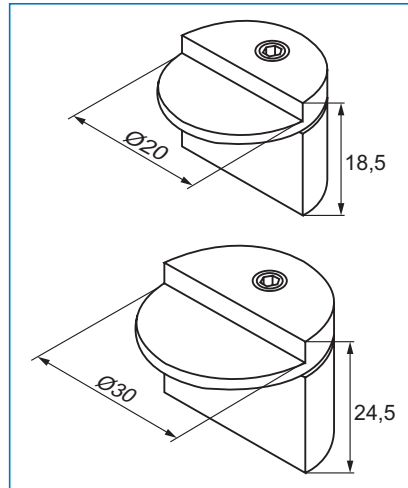
A threaded pin in the hinge allows the door to be removed after gluing.

Finish:

Brushed SS-304

Item No:

Pivot Hinge \varnothing 20 mm # 15.06.015
Pivot Hinge \varnothing 30 mm # 15.06.016



PIVOT HINGE FOR UV GLUE, SS-304

Description:

Pivot hinge for UV-glue, 6-10 mm glass thickness, 180°, max load cap. 5 kg per hinge.

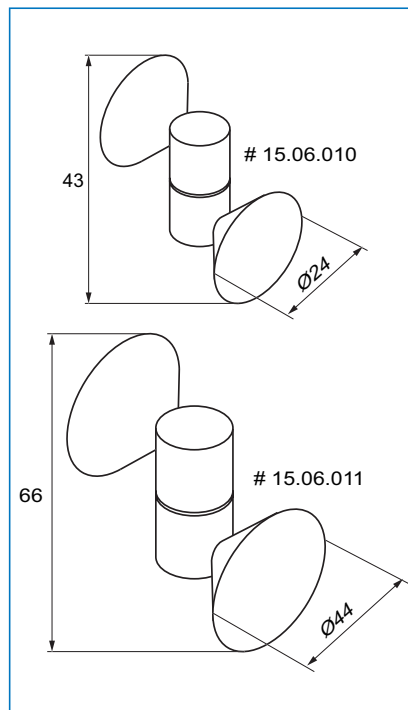
For the door a lateral overhang of at least 28 mm must be considered on the cabinet.

Finish:

Brushed SS-304

Item No:

Pivot Hinge \varnothing 24 mm # 15.06.010
Pivot Hinge \varnothing 44 mm # 15.06.011



MAGNETIC CATCH FOR UV GLUE, SS-304

Description:

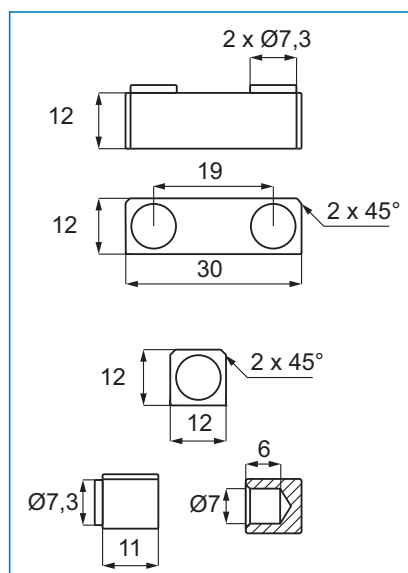
Magnetic catch for UV glue, magnetic locking-force 2 kg.

Finish:

Brushed SS-304

Item No:

Magnetic catch 30x12x12 mm # 22.01.140
Magnetic catch 11x12x12 mm # 22.01.145



GLASS DOOR HINGE 11.300 - NO DRILLING

MODEL
No. 11.300 inset doors

Material: Steel
 Chrome plated # 15.06.036
 Black anodized # 15.06.037
 Alu finish # 15.06.038

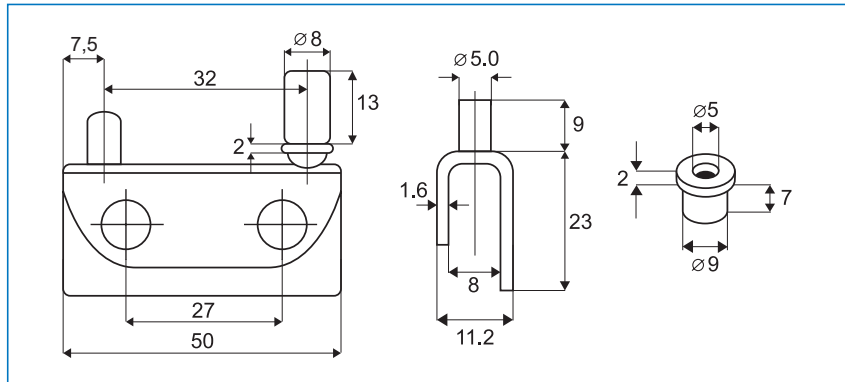
Mounting: Top + Bottom
 Inset Doors, max 4-6 mm
 Complete with nylon bushings

Front plate:
 Size: 50 x 23 mm - polished

Packing:
 Each pair (Right + Left)
 is packed in a polybag complete
 with bushings & steel screws w/soft tip

BALL CATCH # 15.06.076
Material: Brass
Size: Ø 8 mm x 13 mm

Optional, to be ordered separately



GLASS DOOR HINGE 11.561 - NO DRILLING

MODEL
No. 11.561 inset doors

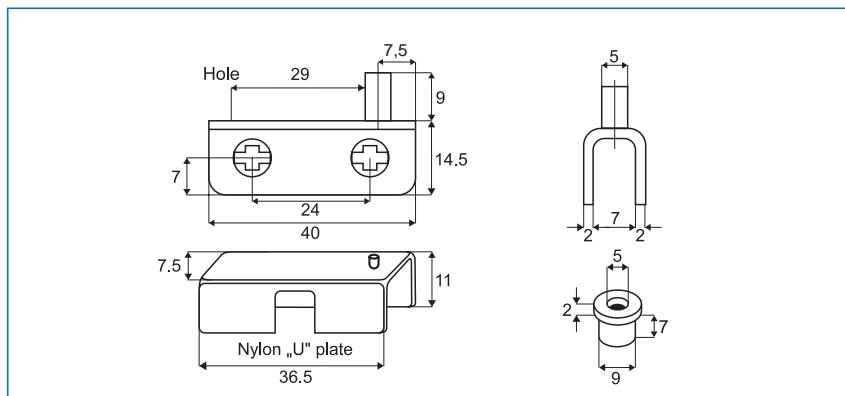
Material: Steel
 Chrome plated # 15.06.096
 Black anodized # 15.06.095
 Alu finish # 15.06.098

Mounting: Top + Bottom
 Inset Doors, max 5 mm
 Complete with nylon bushings
 & sleeve

Front plate:
 Size: 40 x 15 mm - polished

Packing:
 Each pair (Right + Left) is packed
 in a polybag complete with bushings
 & sleeves.
 500 pairs per box

BALL CATCH # 15.06.076
Material: Brass
Size: Ø 8 mm x 13 mm
 Optional, to be ordered separately



GLASS PIVOT HINGE „STAINLESS STEEL“ - NO DRILLING

- high quality furniture fittings



MODEL „SMALL“

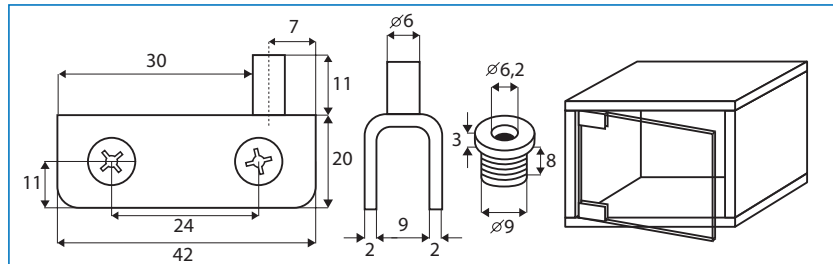
Mounting:
Inset doors. Complete with brass bushings & soft tip screws

Material:
2 mm stainless steel, polished

Hinge size: 42 x 20 x 13 mm (W/H/D)
Bushing size: $\varnothing 9 \times 8$ mm
Glass thickness: 6 mm

Item No. # 15.06.060

Packing:
70 pairs per carton



MODEL „MEDIUM“

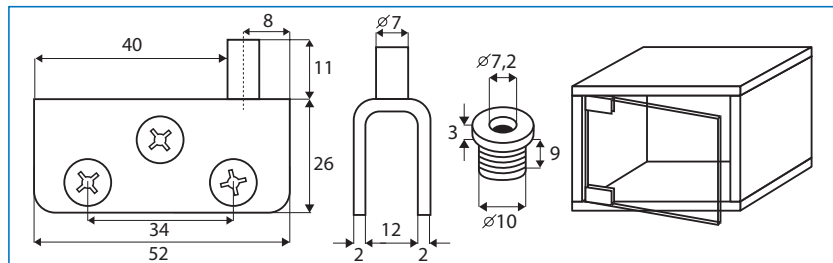
Mounting:
Inset doors. Complete with brass bushings & soft tip screws

Material:
2 mm stainless steel, polished

Hinge size: 52 x 26 x 16 mm (W/H/D)
Bushing size: $\varnothing 10 \times 9$ mm
Glass thickness: 8 mm

Item No. # 15.06.062

Packing:
70 pairs per carton



MODEL „LARGE“

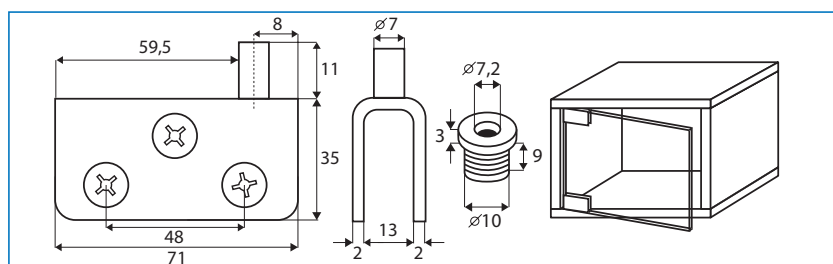
Mounting:
Inset doors. Complete with brass bushings & soft tip screws

Material:
2 mm stainless steel, polished

Hinge size: 71 x 35 x 17 mm (W/H/D)
Bushing size: $\varnothing 10 \times 9$ mm
Glass thickness: 10 mm

Item No. # 15.06.064

Packing:
70 pairs per carton



GLASS PIVOT HINGE „BRASS“ - NO DRILLING

Mounting: Inset doors. Complete with brass bushings & soft tip screws

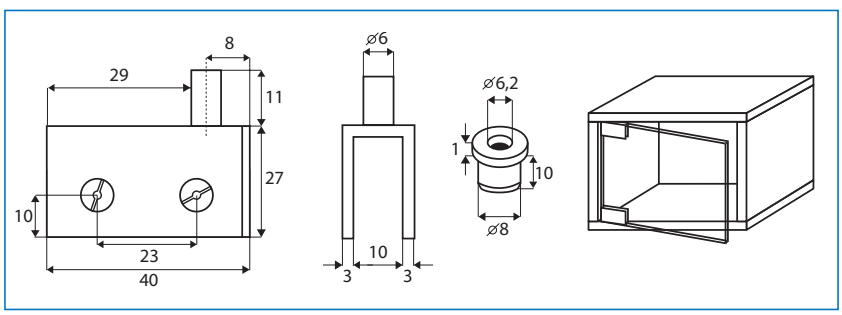
Material: 3 mm brass

Hinge size: 42 x 27 x 16 mm (W/H/D)

Bushing size: Ø 8 x 11 mm

Glass thickness: 4 - 8 mm

Chrome plated # 15.06.070
Alu finish # 15.06.071



GLASS DOOR HINGE A-11 - NO DRILLING

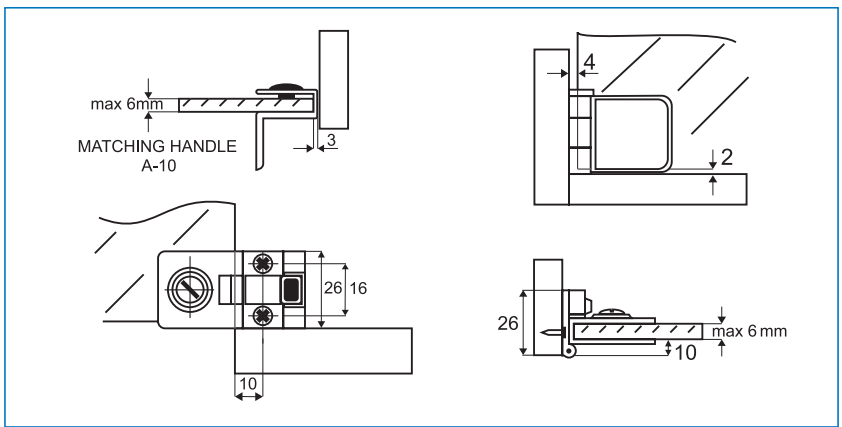
MODEL NO. A-11 w/Catch inset doors

Material: Zamak
Chrome plated # 15.06.126
Brass plated # 15.06.120
Black anodized # 15.06.127

Mounting: Inset doors, max 5-6 mm
Side fixation

Front plate: Size: 25 x 25 mm - framed & sparkled

Packing: Each pair (Right + Left) incl. pads/cushions is packed in a polybag
200 pairs per box



GLASS DOOR HINGE D-13/2 - NO DRILLING

- high quality furniture fittings

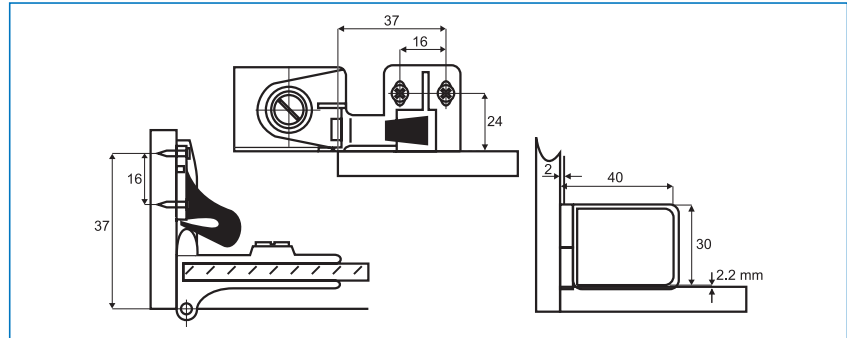
**MODEL w/Catch
NO. D 13/2 inset doors**

Material: Zamak
 Chrome plated # 15.06.102
 Bronze plated # 15.06.103

Mounting:
 Inset doors, max 5 mm

Front plate:
 Size 40 x 30 mm
 sparkled

Packing:
 Each pair (right + left) incl. pads/cushions
 is packed in a polybag
 50 pairs per box
 200 pairs per export carton



GLASS DOOR HINGE D-16 - NO DRILLING

**MODEL w/Catch
D-16 OVERLAY DOORS**

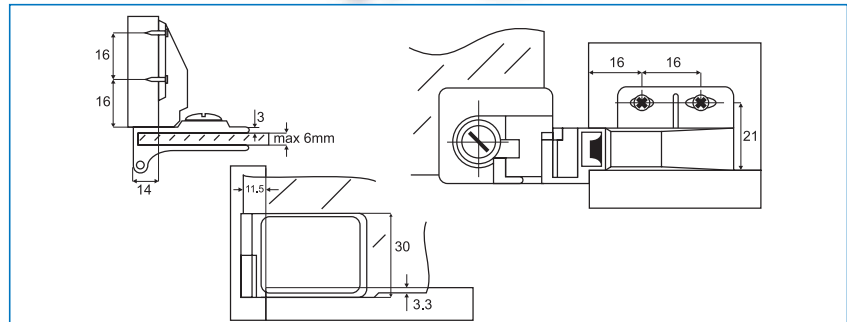
Material:
 Zamak

Finish
 Chrome plated # 15.06.415
 Brass plated # 15.06.410

Mounting:
 Overlay doors, max 5 mm

Front plate:
 Size: 40 x 30 mm, sparkled

Packing:
 Each pair (Right + Left)
 incl. pads/cushions is packed
 in a polybag
 150 pairs per box



GLASS DOOR HINGE C-13 CENTER - NO DRILLING

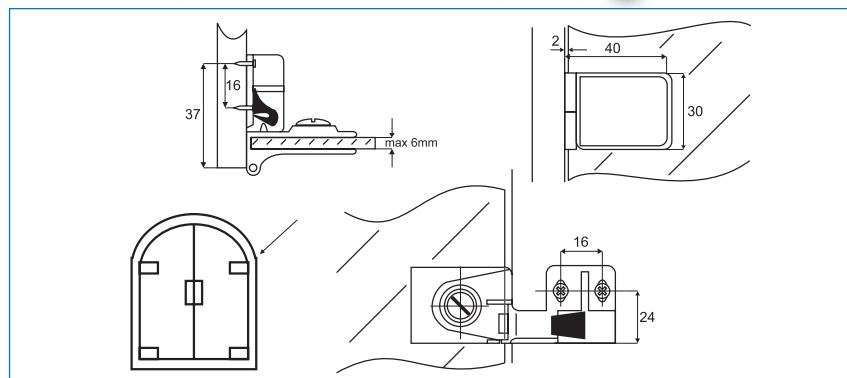
**MODEL w/Catch
C-13 INSET DOORS**

Material: Zamak L/R
 Chrome plated # 15.06.311/321
 Brass plated # 15.06.310/320
 Black anodized # 15.06.313/323

Mounting:
 Inset doors, max 5 mm
 Centre- or Top fixation for
 rounded doors

Front plate:
 Size: 40 x 30 mm - framed
 & sparkled

Packing:
 100 pairs per box
 400 pairs per export carton



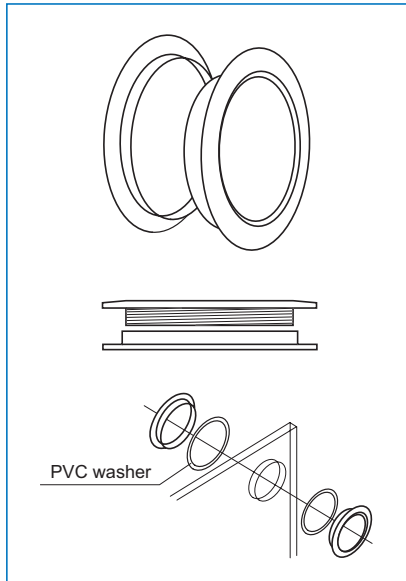
GLASS DOOR PULL F/SLIDING DOORS

GLASS DOOR PULL FOR SLIDING DOORS

Material: Brass
Ø30 x 9 mm - bore Ø26 mm
Finish:
 Chrome plated # 17.40.100
 Alu finish # 17.40.101
 Polish brass # 17.40.103
 Satin brass # 17.40.104

Material: Brass
Ø43 x 9 mm - bore Ø35 mm
Finish:
 Chrome plated # 17.40.110
 Matt nickel # 17.40.112

For glass thickness 4 - 8 mm

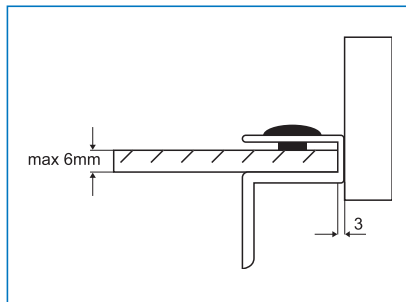


GLASS DOOR HANDLE - NO DRILLING

Model A10
 No Drilling, F/Single doors.

Material: Zamak

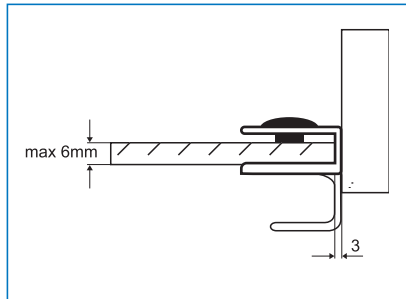
Item No.
 Chrome plated # 17.40.032
 Brass plated # 17.40.030
 Black Anodized # 17.40.031



MODEL 11-200
 No Drilling, F/Single doors.

Material: Zamak

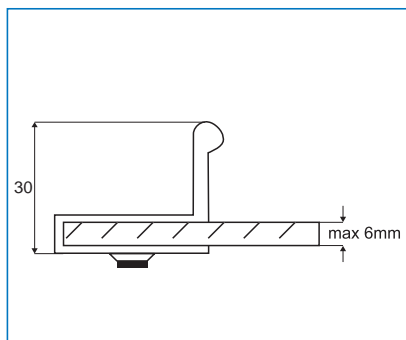
Item No.
 Chrome plated # 17.40.011



MODEL D-12/2
 No Drilling, F/Single doors.

Material: Zamak
Finish: Sparkled

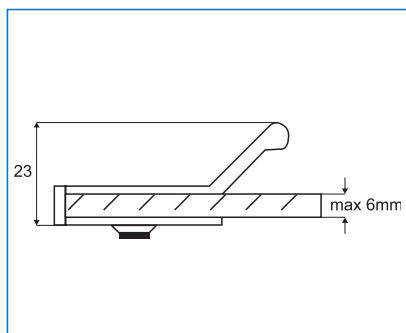
Item No.
 Chrome plated # 17.40.018
 Black anodized # 17.40.017



MODEL D-120
 No Drilling, F/Double doors.

Material: Zamak
Finish: Sparkled

Item No.
 Brass plated # 17.40.040
 Bronze plated # 17.40.042



MIRROR SCREWS W/CAP

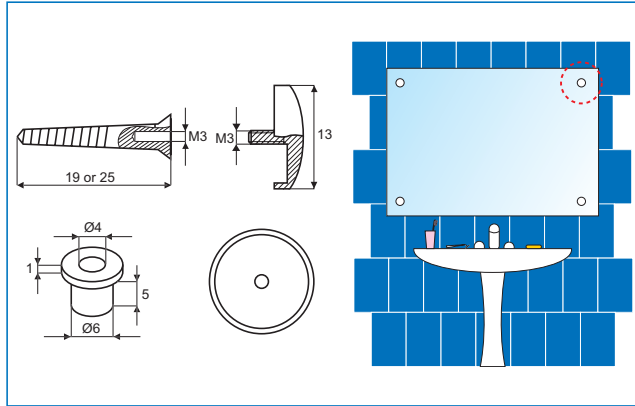
- high quality furniture fittings

Application:
Fixing of mirrors.
Drilling in glass required.

Consists of:
Steel NPL screw,
plastic bushing & brass cover cap.

ø4 x 19 mm screw. ø13 mm cap
Chrome plated # 22.05.140

ø4 x 25 mm screw. ø13 mm cap
Chrome plated # 22.05.145



MIRROR OR GLASS CLIP

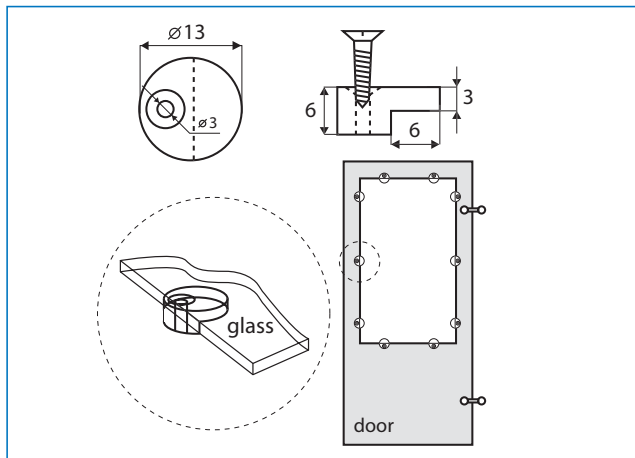
Application:
For safe mounting of mirrors or other
glass panels of 4 mm thickness.

Material:
Plastic transparent

Screw holes: ø3 mm

Item No.: # 22.05.200

Option:
Also available for other glass thickness
upon special request or inquiry.
Other colour available.



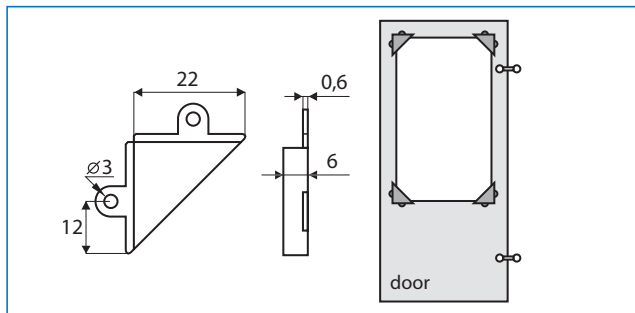
SHALLOW MIRROR CORNERS

Application:
For mounting of mirrors.

Material:
Steel

Size: 22 x 22 mm

Item No.:
Nickel plated # 22.05.070
Brass plated # 22.05.071



MIRROR CLIPS W/SPRING

Application:
Fixing of mirrors.
No drilling in glass required.

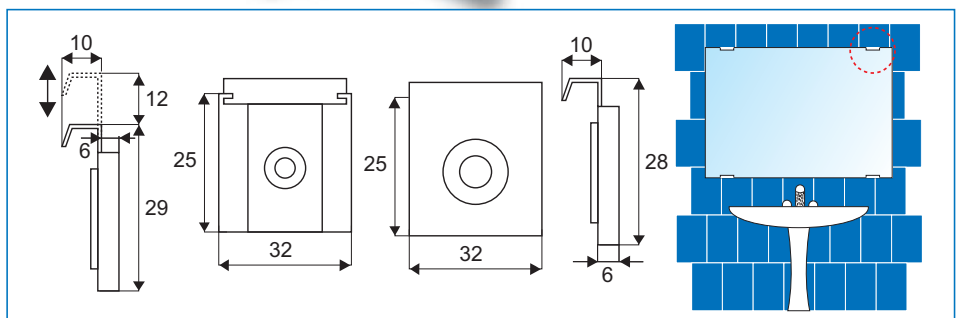
Consists of:
2 spring loaded top clips
& 2 fixed bottom clips.

Glass thickness:
5 mm
Screw holes ø5 mm

Finish:
Steel, nickel plated # 22.05.100
Stainless steel 304 # 22.05.105

Packing:
400 sets per carton

W/screws and wall plugs



Application

Mounting of signboards, mirrors etc.

Material

Aluminium

Mounting

∅ 4 mm screw hole

∅ 13 x 13 mm

Panel thickness: 2 - 6 mm

- Anodized # 22.11.110
- Red # 22.11.111
- Blue # 22.11.112
- Gold # 22.11.113
- Black # 22.11.114
- Alu polished # 22.11.115

∅ 13 x 19 mm

Panel thickness: 2 - 8 mm

- Anodized # 22.11.120
- Red # 22.11.121
- Blue # 22.11.122
- Gold # 22.11.123
- Black # 22.11.124
- Alu polished # 22.11.125

∅ 19 x 25 mm

Panel thickness: 2 - 12 mm

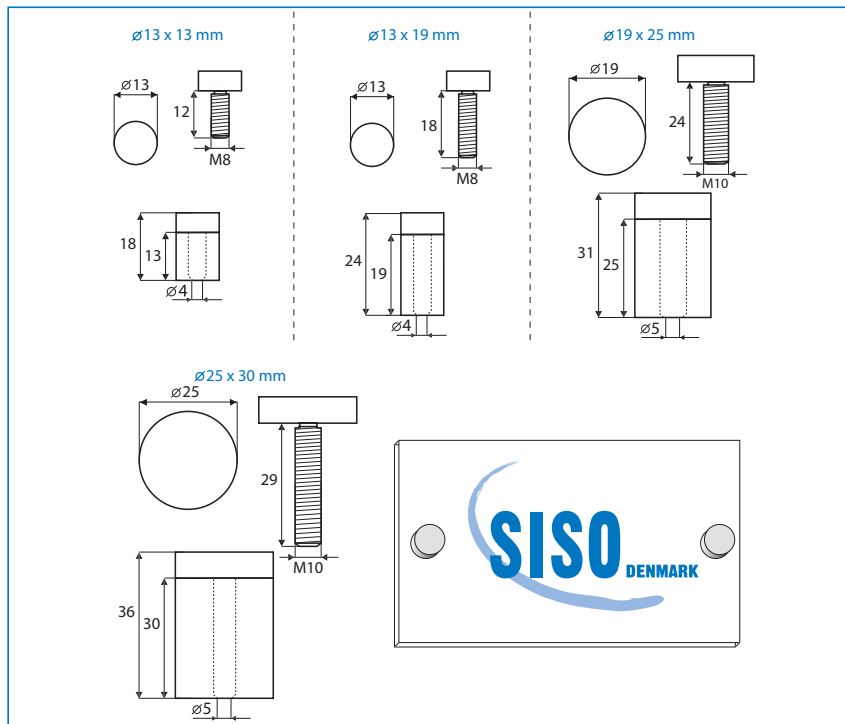
- Anodized # 22.11.130
- Red # 22.11.131
- Blue # 22.11.132
- Gold # 22.11.133
- Black # 22.11.134
- Alu polished # 22.11.135

∅ 25 x 30 mm

Panel thickness: 2 - 12 mm

- Anodized # 22.11.140
- Red # 22.11.141
- Blue # 22.11.142
- Gold # 22.11.143
- Black # 22.11.144
- Alu polished # 22.11.145

All signboard screws are supplied w/2 transparent washers



SIGNBOARD SCREW „SS“ W/CSK HEAD

Application

Mounting of signboards, mirrors etc.

Features

Counter sunk head with snake eyes

Material

Stainless steel 304

Mounting

8 x 14 mm screw hole

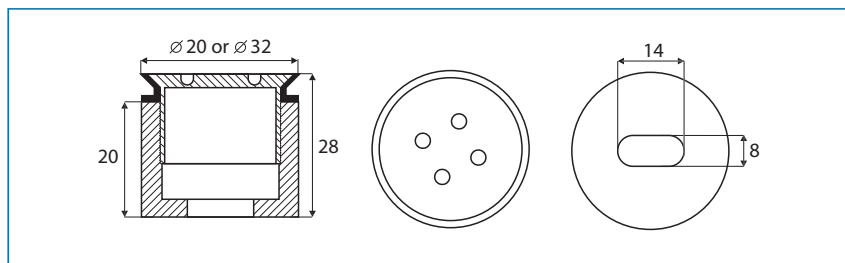
∅ 20 x 28 mm

Panel thickness: 8 - 12 mm
SS 304 # 22.11.150

∅ 32 x 28 mm

Panel thickness: 8 - 12 mm
SS 304 # 22.11.152

All signboard screws are supplied with black plastic washers



Application

Mounting of signboards, mirrors etc.

Material

Brass

Mounting

ø4 mm screw hole

ø 13 x 19 mm

Panel thickness: 2 - 10 mm
 Chrome plated # 22.11.000
 SS-look # 22.11.001

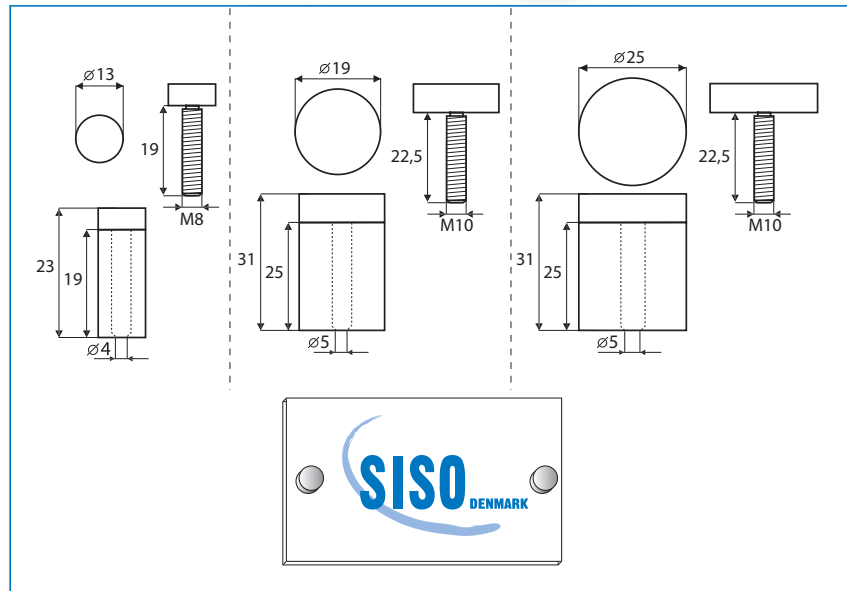
ø 19 x 25 mm

Panel thickness: 2 - 15 mm
 Chrome plated # 22.11.050
 SS-look # 22.11.051

ø 25 x 25 mm

Panel thickness: 2 - 15 mm
 Chrome plated # 22.11.100
 SS-look # 22.11.101

All signboard screws are supplied
 w/2 transparent washers



SIGNBOARD HOLDERS

Application

Mounting of signboards, mirrors etc.

Material

Brass

Mounting

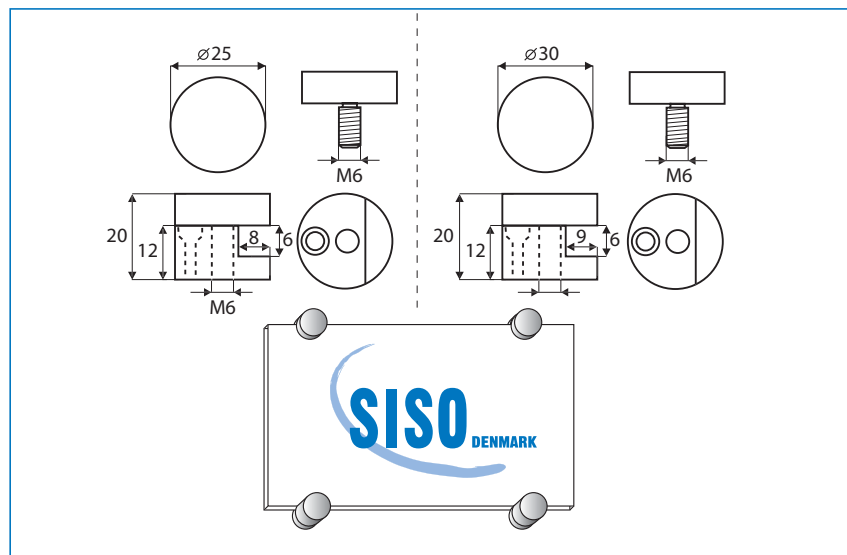
ø4 mm screw hole

ø 25 x 20 mm

Panel thickness: 6 mm
 Chrome plated # 22.11.200
 SS-look # 22.11.201

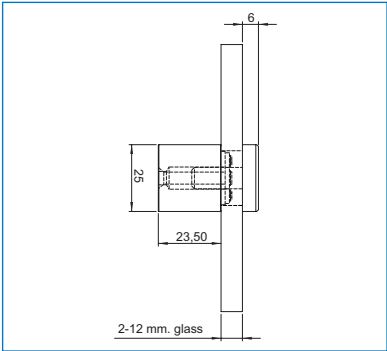
ø 30 x 20 mm

Panel thickness: 6 mm
 Chrome plated # 22.11.210
 SS-look # 22.11.211

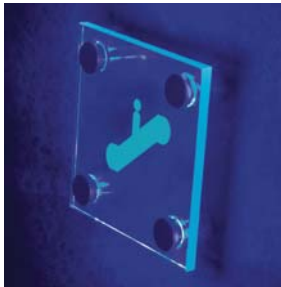


ALU SIGN BOARD SCREWS W/LED LIGHT

Alu sign board screws w/LED light
 F/ 2- 12 mm glass or acrylic plates
 White or blue light incl. 2 mtr. LED cable
 Transformer with 150 cm cable w/euro-plug
 Size ø 25 x 25 mm.
 Polished chrome or alu-look finish
 In sets of 2 or 4 sign board screws

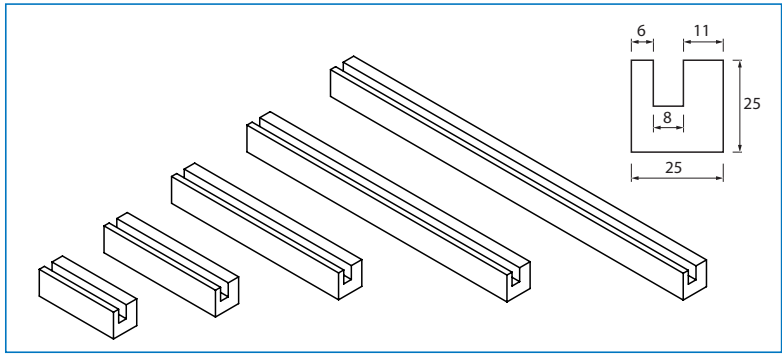


Quantity:	Finish:	Led light:	Item No.:
Set of 2 pieces	Chrome	Blue	# 22.11.316
Set of 2 pieces	Chrome	White	# 22.11.318
Set of 2 pieces	Alu	Blue	# 22.11.321
Set of 2 pieces	Alu	White	# 22.11.323
Set of 4 pieces	Chrome	Blue	# 22.11.331
Set of 4 pieces	Chrome	White	# 22.11.333
Set of 4 pieces	Alu	Blue	# 22.11.336
Set of 4 pieces	Alu	White	# 22.11.338



ALU CLAMPS W/LED LIGHT

Alu clamps w/LED light
 F/ 8mm glass or acrylic plates
 White light incl. 2 mtr. LED cable
 Transformer with 150 cm cable w/euro-plug
 Size from 80 mm to 380 mm.
 Polished chrome or alu-look finish



Size:	Finish:	Led light:	Item No.:
80 mm	Chrome	White	# 22.11.300
80 mm	Alu finish	White	# 22.11.302
120 mm	Chrome	White	# 22.11.303
120 mm	Alu finish	White	# 22.11.305
180 mm	Chrome	White	# 22.11.306
180 mm	Alu finish	White	# 22.11.308
280 mm	Chrome	White	# 22.11.309
280 mm	Alu finish	White	# 22.11.311
380 mm	Chrome	White	# 22.11.312
380 mm	Alu finish	White	# 22.11.313



ALUMINIUM SHELF W/LED & GLASS PLATE

- high quality furniture fittings



Specifications

Tempered frosted 8mm glass plate
 White LED lamps – 6000K
 From 450 to 1200 mm length.
 Complete with 1,5 m cable (no plug)
 Maximum load 3 kg
 Built-in grey on/off switch
 LED driver built into the profile. Input: 200 - 240V, 50 Hz.
 IP20 rated, RoHS complaint & CE certified

Item No.:

450 x 175 x 70 mm	24 SMD LEDs – 2,0w	# 22.02.710
500 x 175 x 70 mm	27 SMD LEDs – 2,2w	# 22.02.711
600 x 175 x 70 mm	33 SMD LEDs – 2,7w	# 22.02.712
900 x 175 x 70 mm	51 SMD LEDs – 4,1w	# 22.02.713
1200 x 175 x 70 mm	69 SMD LEDs – 5,6w	# 22.02.714



ALUMINIUM PROFILE WITHOUT LED & GLASS PLATE

Item No.:

450 x 175 x 70 mm	F/8 x 443 mm glass	# 22.02.701
500 x 175 x 70 mm	F/8 x 493 mm glass	# 22.02.702
600 x 175 x 70 mm	F/8 x 593 mm glass	# 22.02.703
1200 x 175 x 70 mm	F/8 x 1193 mm glass	# 22.02.705



SUCTION PADS & BUMPERS

BUMBER DISCS – SELF ADHESIVE

Material

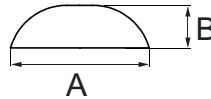
PVC, transparent color

Application

Self adhesive bumpers are the ideal solution to avoid scratching surfaces, prevent objects from skidding or vibrating, cushioning the closing of doors and drawers & equalizing height differences

Tip

Avoid using the bumper discs for at least 24 hours after mounting to guarantee maximum adhesion



Item number	Color	A diameter	B height
# 10.39.010	Transparent	Ø7	1,5 mm
# 10.39.015	Transparent	Ø8	1,6 mm
# 10.39.020	Transparent	Ø10	1,5 mm
# 10.39.030	Transparent	Ø10	3,0 mm
# 10.39.040	Transparent	Ø13	4,0 mm



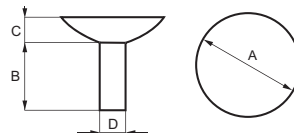
SUCTION PADS W/HOLLOW PIN

Material

PVC, transparent color

Application

For glass table tops
 Hollow pin



Item number	A diameter	B height	C height	D diameter
# 10.38.210	Ø15	10 mm	4 mm	Ø6
# 10.38.220	Ø20	8,5 mm	6,5 mm	Ø6



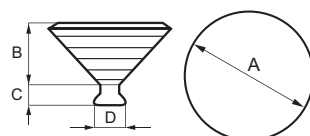
SUCTION PADS W/BALL PIN

Material

PVC, transparent color

Application

For glass table tops
 Ball pin



Item number	A diameter	B height	C height	D diameter
# 10.38.310	Ø20	10 mm	4 mm	Ø6
# 10.38.312	Ø30	13 mm	5 mm	Ø8



STAINLESS STEEL DISCS F/TABLE LEGS F/UV GLUE

Description:
To be used with table legs mounted on glass table tops

For legs with M8 bolt

Item No:
 ø 38 x 10,5mm # 06.10.064
 ø 50 x 10,5mm # 06.10.065
 ø 60 x 10,5mm # 06.10.066

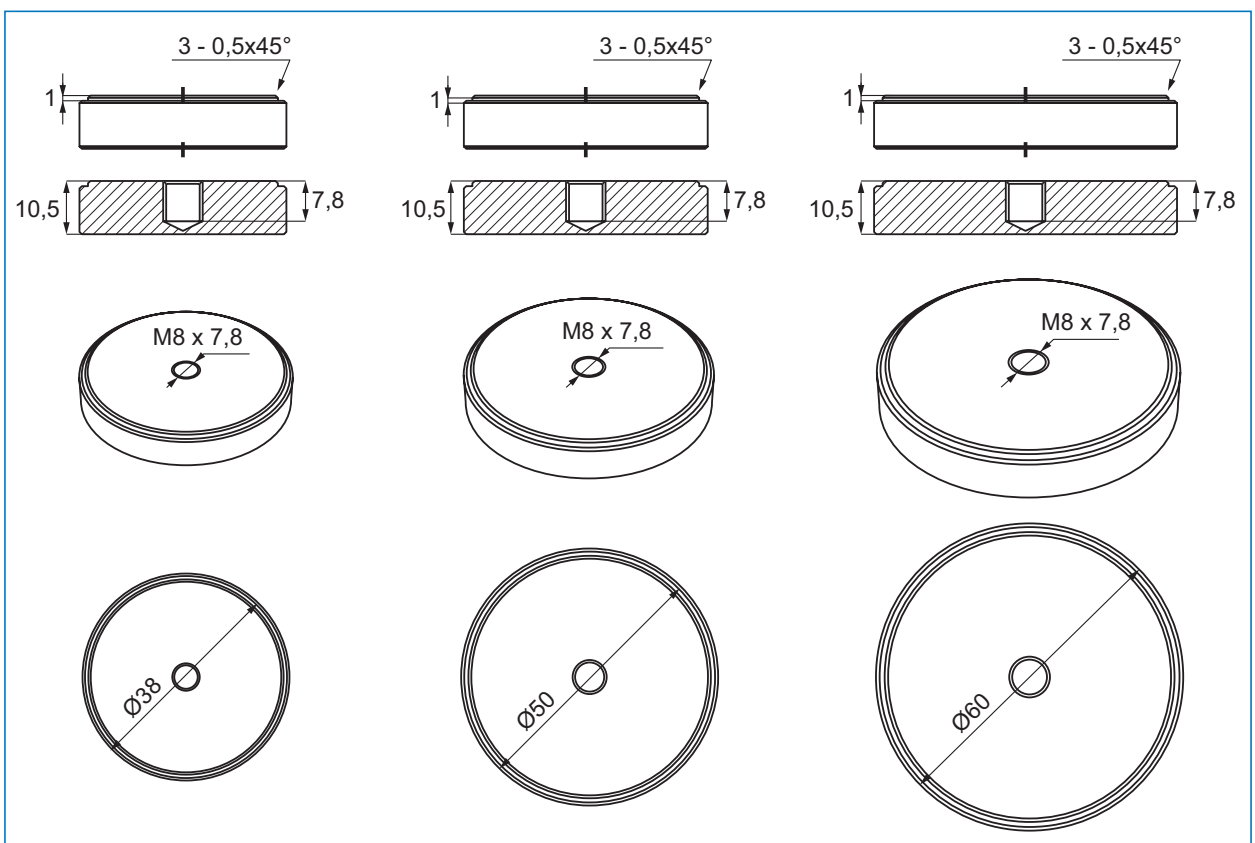


TABLE LEG F/GLASS TABLE TOPS

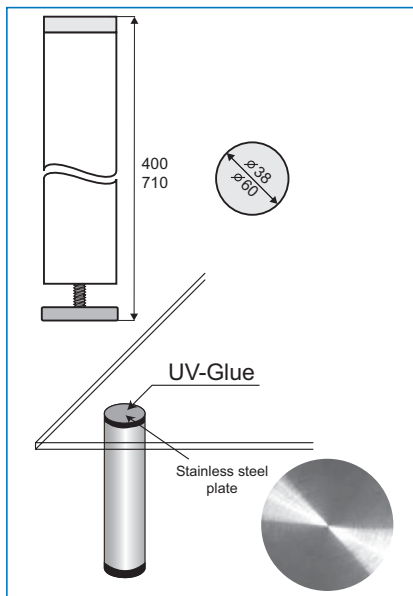
Application
Table legs for glass table tops.
With adjustable glide.

Mounting
UV-Glue

Material
Steel, chrome plated legs
Stainless steel mounting plate
Black plastic adjuster

ø38 x 400 mm # 06.10.070
ø60 x 710 mm # 06.10.100

Packing
4 legs = 1 set



TWISTER - THE LEG CONNECTOR

- high quality furniture fittings

SISO DENMARK



PATENTED

The "Twister" leg connector is designed for installing a leg in any position from 0 – 20 degrees – one way, simply by twisting the leg tightly onto the connector plate. May be used on tables, cabinets, beds, sofas ect. wherever a leg is needed.

"Twister" gives the possibility to change the design on the furniture whenever there is a demand. Furthermore it may be used as a height adjuster/leveller in case of uneven floors. Adjustable up to 40mm when changing the angle from 0 – 20 degrees. "Twister" is designed for maximum leg diameter of 50mm and M8 bolt.

The round sliding plate and body are made of black reinforced ABS. The internal part is made of steel.

Danish design by SISO & Jesper Møller Hansen.
Pat. Pending in EU & US.



Wood top mounting

(Leg: customer provided)

**Glass top mounting
w/aluminium disc & UV-glue**

(Leg: customer provided)



TWISTER - THE LEG CONNECTOR

WOOD TOP MOUNTING

Material:
Reinforced ABS & steel

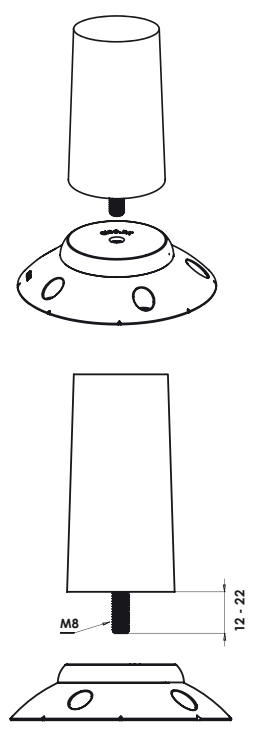
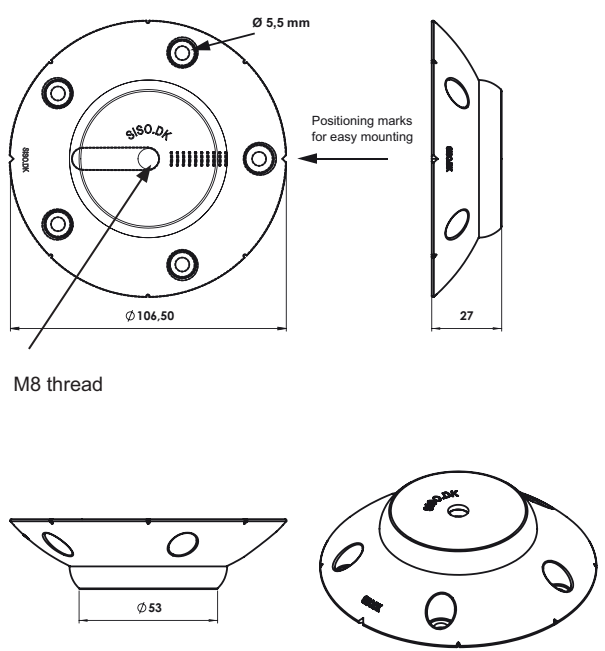
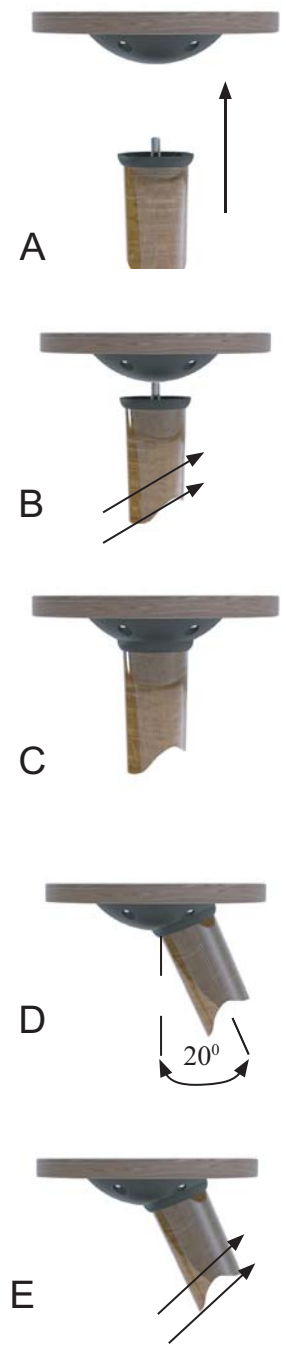
Total size:
Ø106,5 x 27 mm

Screw holes:
Ø5,5 mm

Item No.:
06.11.100

Packing:
1 pce pr. inner box

Screws and hangerbolt to be bought separately.



**GLASS TOP MOUNTING
W/ALUMINIUM DISC & UV-GLUE**

For glass top mounting by use of Twister connector combined with an aluminium disc.

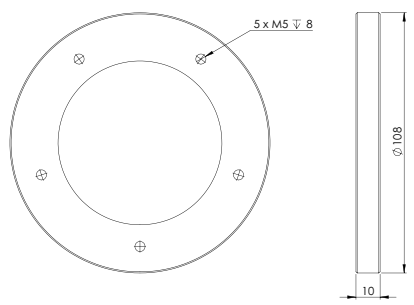
Material:
Aluminium

Size:
Ø108 x 10 mm, For screws M5 x 8mm

Item No.:
06.11.121

Fixing screws and Twister connector to be ordered separately.

The aluminium disc is glued to the glass by use of Bohle UV-Glue B 682-0. UV-lamp is needed.



SHELVING LEG SYSTEM „THE POST“

- high quality furniture fittings

„The Post“

Shelving leg system.

Can be used for shelving, storage or display purposes. Office shelves, desk shelf, shop fittings, movable trade fair displays, entertainment centres.

Easy assembly and dis-assembly

Reconfigurable

Mounting clip for wood	Zamak Aluminium finish	# 22.30.000
Foot plug	Black plastic	# 22.30.001
Mounting plug clip	Black plastic	# 22.30.002
Mounting plate for glass	Stainless Steel	# 22.30.003
Aluminium bar of 2 meters	Aluminium anodized	# 22.30.004

Mounting instruction for glass tops

The stainless steel plate is first glued to the zamak mounting clip by use of BOHLE UV-Glue B 682-0 together with BOHLE UV-Activator B 953-0. UV-lamp is not needed.

After the 2 parts are glued together the stainless steel plate is glued to the glass plate by use of BOHLE UV-Glue B 682-0. UV-lamp is needed.

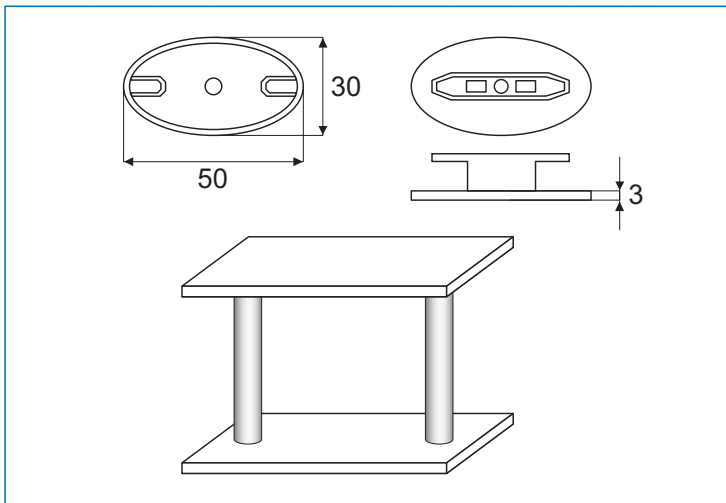
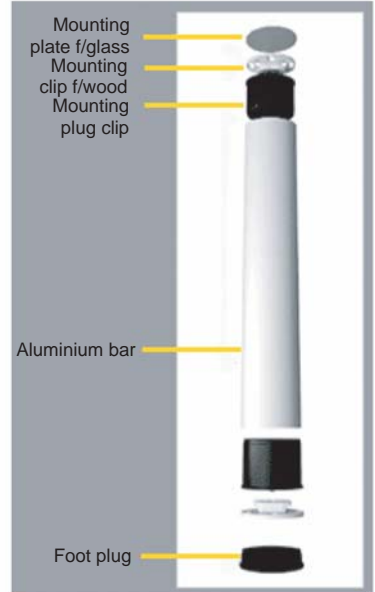
The Post - Connector detail



Kitchens



Extrusion illustration of The Post



Assembly

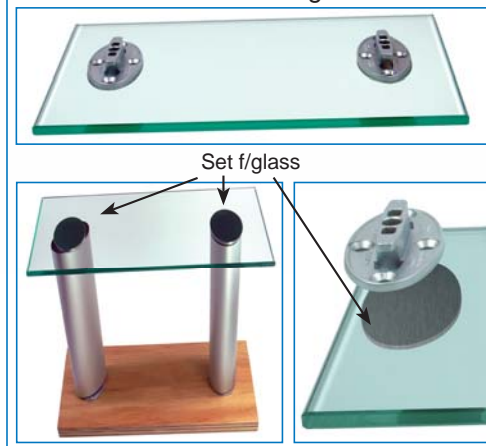


1. Screw connectors into desk/bench and shelf and place posts on connectors

2. Place shelf on posts

3. Twist posts until it locks „click“, simply twist to unlock

The Post for glass



SAUNA HINGE F/GLASS DOORS W/MOUTING PLATE

Model „SLOVAKIA“

Opening: 180°.

Load capacity: 20 kg per hinge.

Glass thickness: 6-8 mm.

Max glass width: 700 mm.

One hinge consists of:

1 zamak mounting plate 15 x 84 mm.

3 CSK screw holes \varnothing 5 mm. c/c 70 mm.

1 zamak hinge body 60 x 55 mm.

1 stainless steel connecting pin.

2 plastic bushings.

1 stainless steel tightening screw

M8 x 20 mm.

1 transparent height adjustment

washer. Bore hole \varnothing 20 mm.

1 transparent protection ring.

Bore hole \varnothing 16 mm.

3 plastic cover caps.

Finish

Brown powder painted # 15.25.050

Chrome plated # 15.25.051

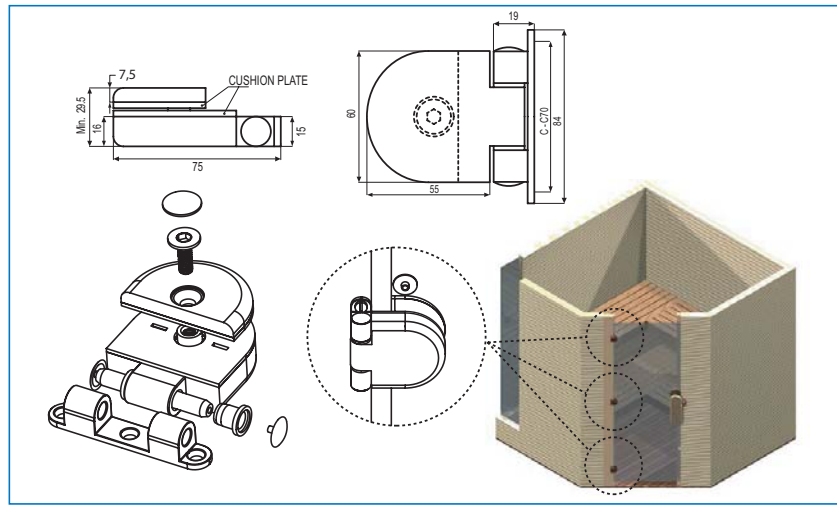
Aluminium look # 15.25.052

Satin nickel plated # 15.25.053

White powder painted # 15.25.054



Not for sale in Germany
Private usage



SAUNA HINGE F/GLASS DOORS - PIN MOUNTING

Model „TREBISOV“

Opening: 180°.

Load capacity: 20 kg per hinge.

Glass thickness: 6-8 mm.

Max glass width: 700 mm.

One hinge consists of:

2 steel cylinders \varnothing 15 mm

w/ M8 x 40 mm pins for door frame mounting. c/c. 45 mm.

1 zamak hinge body 60 x 55 mm.

1 stainless steel connecting pin.

2 plastic bushings.

1 stainless steel tightening screw

M8 x 20 mm.

1 transparent height adjustment

washer. Bore hole \varnothing 20 mm.

1 transparent protection ring. Bore hole \varnothing 16 mm.

3 plastic cover caps.

Finish

Brown powder painted # 15.25.000

Chrome plated # 15.25.002

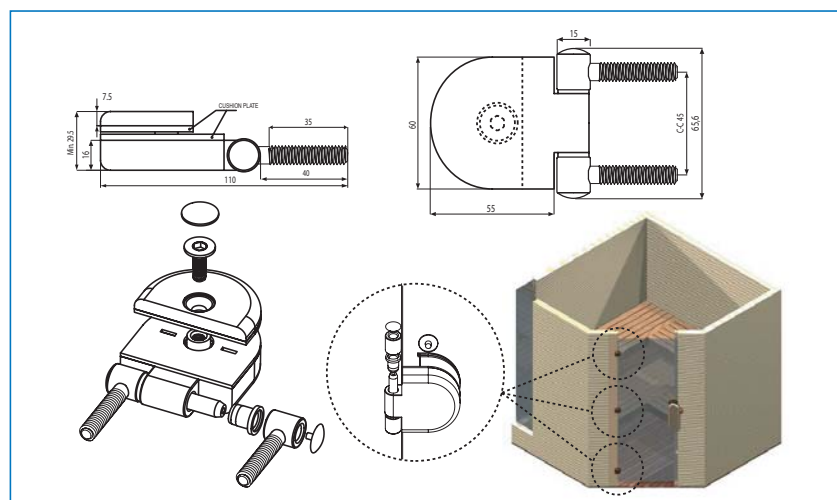
Aluminium look # 15.25.001

Satin nickel plated # 15.25.003

White powder painted # 15.25.004

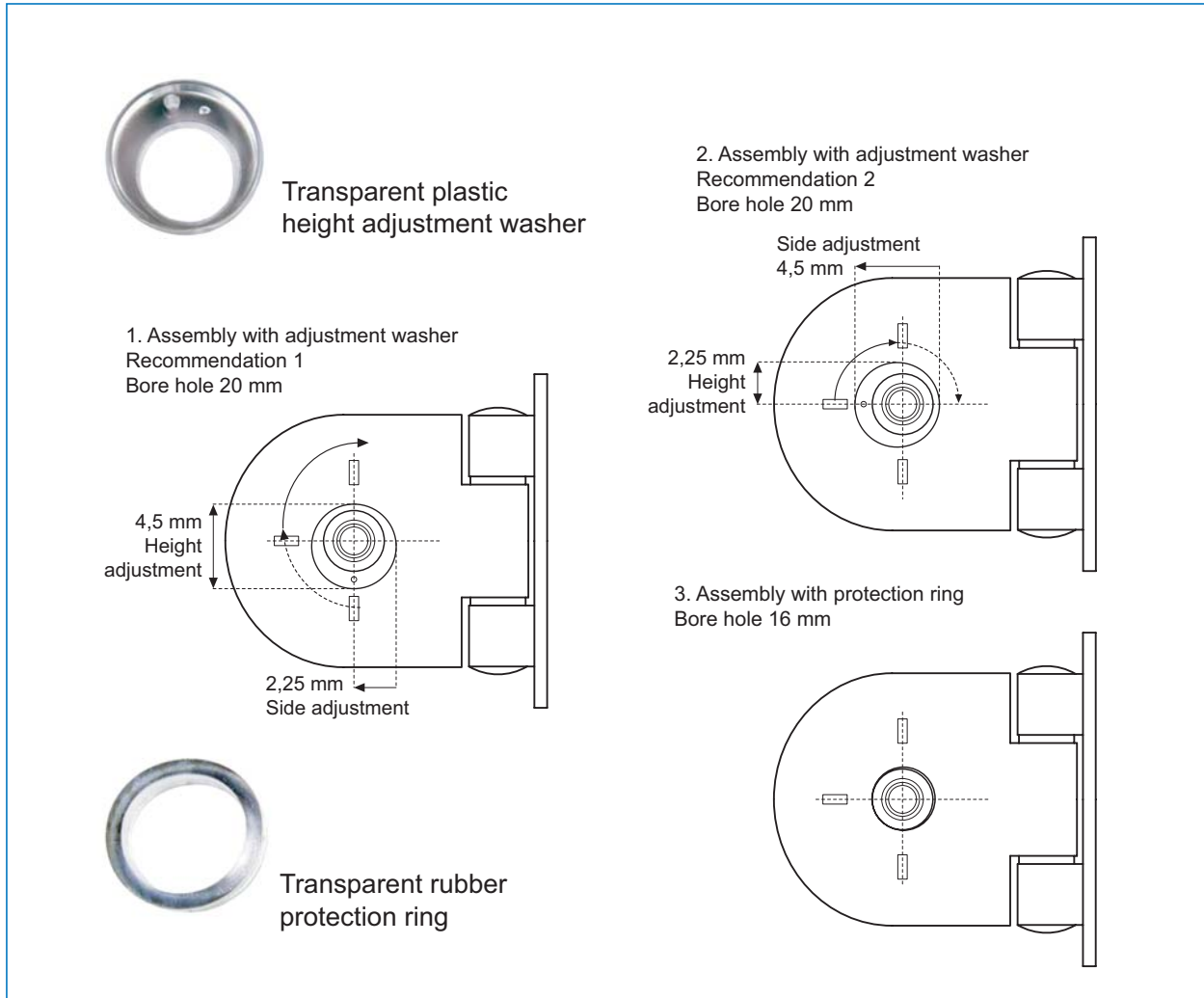


Not for sale in Germany
Private usage

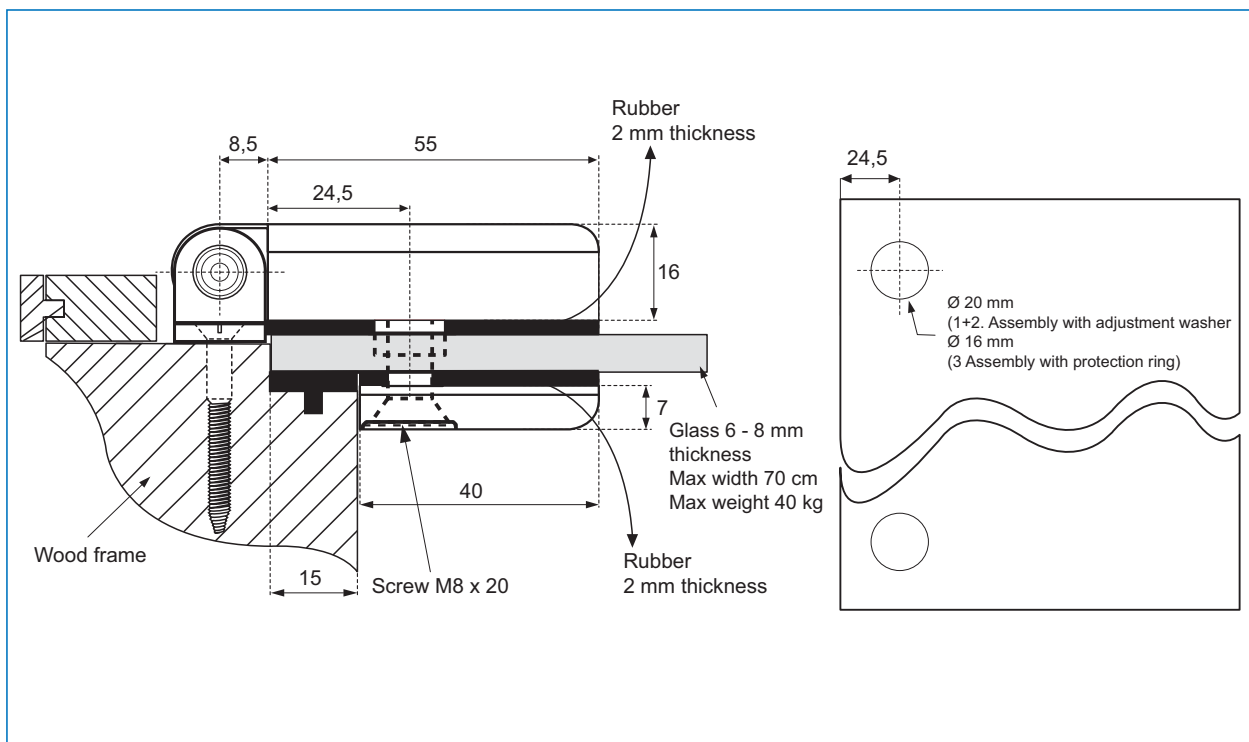


HEIGHT ADJUSTMENT WASHER INSTRUCTION

- high quality furniture fittings



MOUNTING INSTRUCTION F/GLASS DOOR HINGE MODEL SLOVAKIA & TREBISOV



SAUNA HINGE F/WOODEN DOORS - PIN MOUTING

Model „BELARUS“

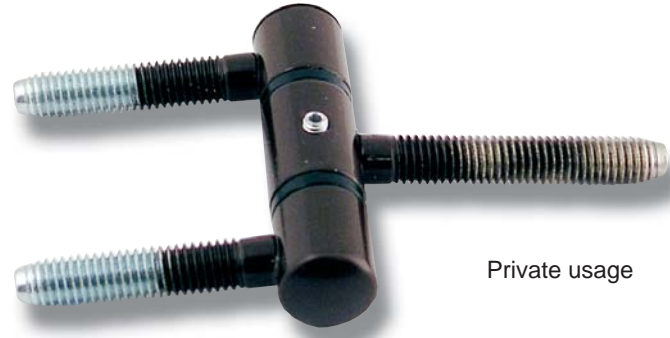
Opening: 180°.
Load capacity: 20 kg per hinge.

One hinge consists of

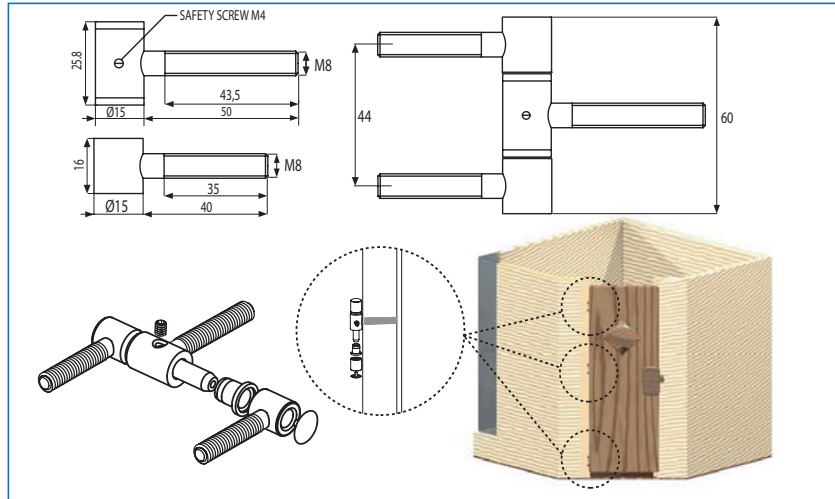
- 2 steel cylinders ø15 mm w/ M8 x 40 mm pins for door frame mounting. c/c 44 mm.
- 1 steel cylinder ø15 mm w/ M8 x 50 mm pin for door mounting.
- 1 stainless steel connecting pin.
- 2 plastic bushings.
- 2 plastic cover caps.
- 1 safety screw M4.

Colour

Brown powder painted # 15.25.080
(other colours on request)



Private usage



SAUNA HINGE F/WOODEN DOORS W/MOUTING PLATE

Model „ESTI“

Opening: 180°.
Load capacity: 20 kg per hinge.

One hinge consists of

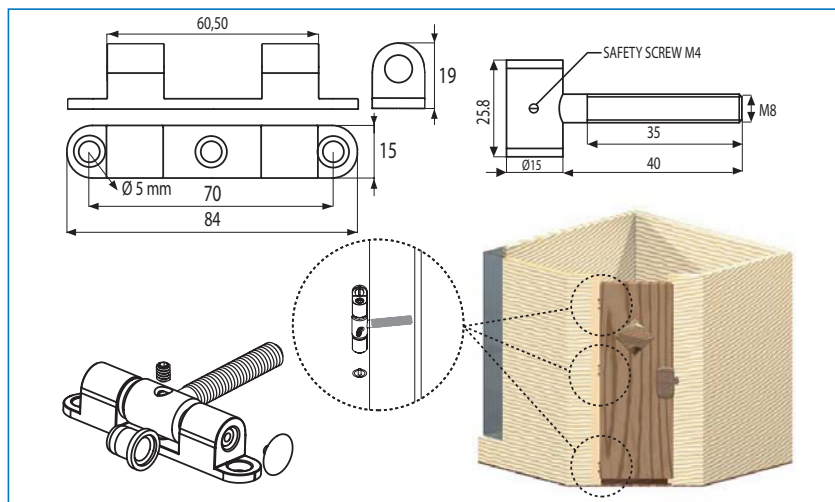
- 1 zamak mounting plate 15 x 84 mm.
- 3 CSK screw holes ø 5 mm. c/c 70 mm.
- 1 steel cylinder ø15 mm w/ M8 x 50 mm pin for door mounting.
- 1 stainless steel connecting pin.
- 2 plastic bushings.
- 2 plastic cover caps.
- 1 safety screw M4.

Colour

Brown powder painted # 15.25.070
(other colours on request)



Private usage



SAUNA HINGE F/GLASS DOORS - CRANKED

- high quality furniture fittings



Model „SUOMI“

Opening: 130°.
Load capacity: 20 kg per hinge.
Glass thickness: 6-8 mm.
Max glass width: 700 mm.
2 bore holes \varnothing 12 mm for extra safety.
40 mm distance from centre of bore hole to edge of glass door.

One hinge consists of

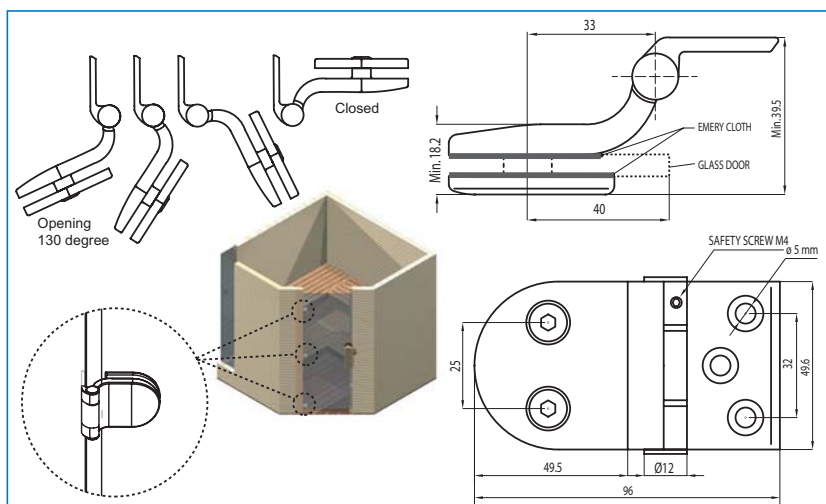
1 zamak mounting plate 25 x 50 mm.
w/3 CSK screw holes \varnothing 5 mm.
c/c 32mm.
1 zamak hinge body 49,5 x 49,5 mm.
1 stainless steel connecting pin.
2 plastic bushings.
1 safety screw M4.
2 stainless steel tightening screws
M8 x 12 mm c/c 25 mm.

Item No.

Brown powder painted # 15.25.060
Chrome plated # 15.25.061
Aluminium finish # 15.25.062
SS-look # 15.25.063
White powder painted # 15.25.064



Private usage



SAUNA DOOR CATCH

Model „UKRAINE“

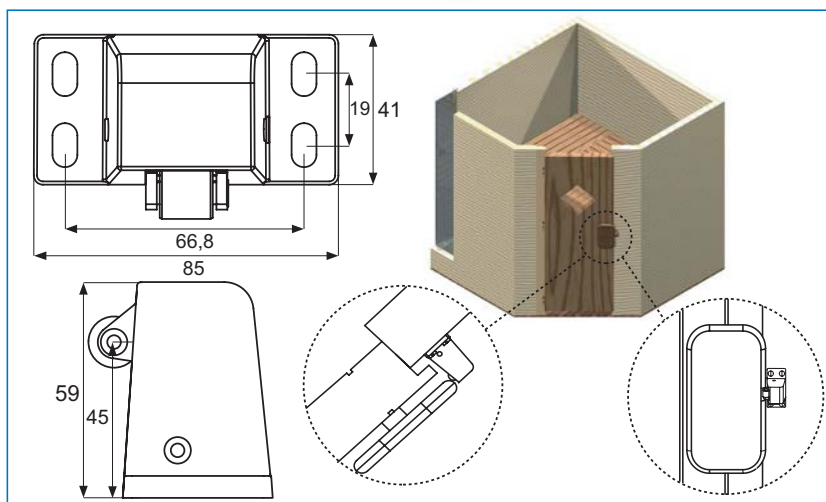
Size
85 x 41 mm

Material
Zamak house & stainless steel spring

Pulling power
13 -15 kg.

Colour
Brown powder painted
(other colours on request)

Item No.
Brown powder painted # 15.25.020
Chrome plated # 15.25.021
Aluminium finish # 15.25.022
SS-look # 15.25.023
White powder painted # 15.25.024



SAUNA DOOR CATCH ROLLER W/STRENGTH ADJUSTMENT FUNCTION

Model „DANIA“

Application

For sauna doors

Mounting

Inset hole 29 x 36 mm c.c. 48 mm

Material

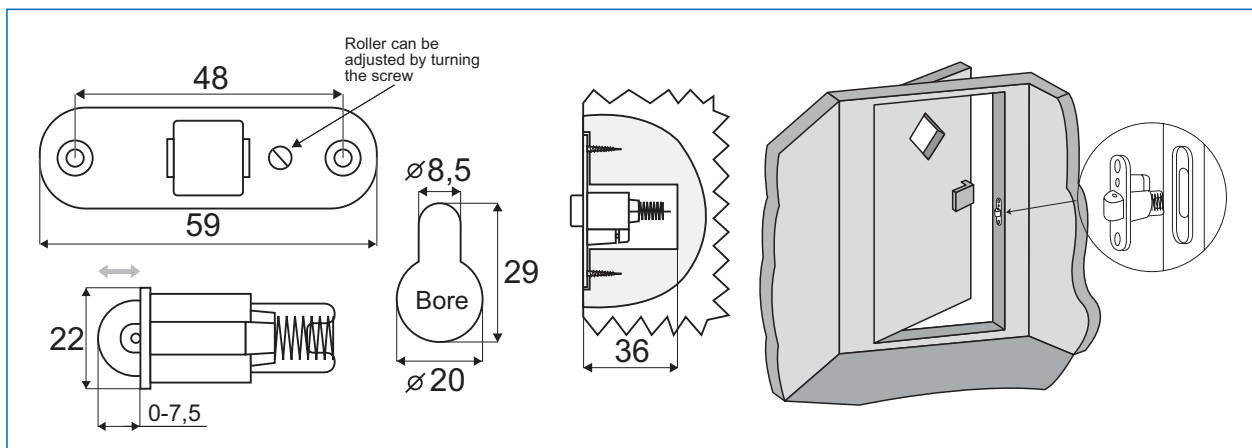
Zamak housing & plastic roller

Function

By turning in the screw the depth of the roller can be adjusted from 0 - 7,5 mm

Item No.

Brown # 15.25.031
Chrome plated # 15.25.030



MAGNET SCREW WITH 14 MM HEX HEAD

MAGNET SCREWS W/HEX HEAD

Size M6 x 28 mm
Material Steel
Finish Nickel plated
Pulling power 9,5 kg
Item No.:
W/14mm hex head # 15.25.010
W/22mm hex head # 15.25.009

CATCH PLATE:

Size 35 x 27 mm
Material Steel

Finish

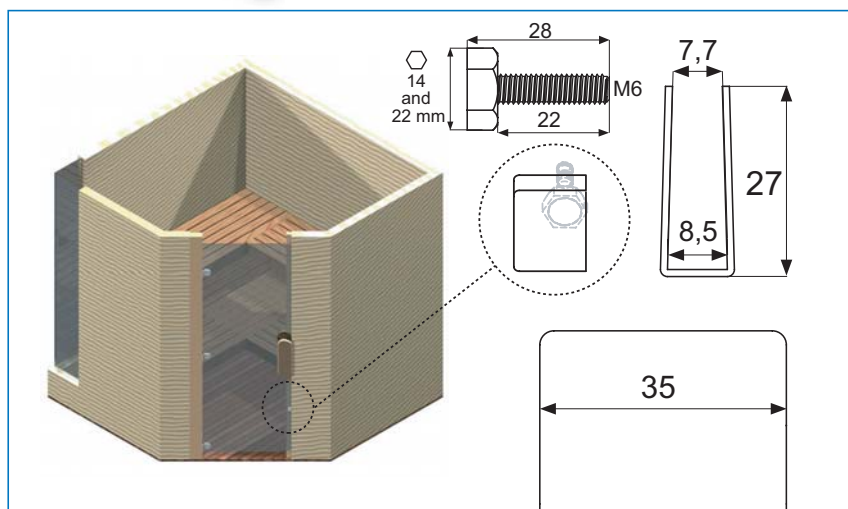
W/1 mm cushion for 8 mm glass thickness:

Aluminium look # 15.25.013
Nickel plated # 15.25.015
Chrome plated # 15.25.017

Finish

W/2 mm cushion for 6 mm glass thickness:

Aluminium look # 15.25.014
Nickel plated # 15.25.016
Chrome plated # 15.25.018



GLASS DOOR HINGE "PRAHA"

- high quality furniture fittings

SISO
DENMARK

Application:

Can be used for left & right hand doors
For inlay doors
For public & private usage

Opening: 180°

Load Capacity: 45 kg. pr. hinge

Glass thickness: 8 - 10 mm glass

Max glass width: 1000 mm

Drilling: \varnothing 16 mm

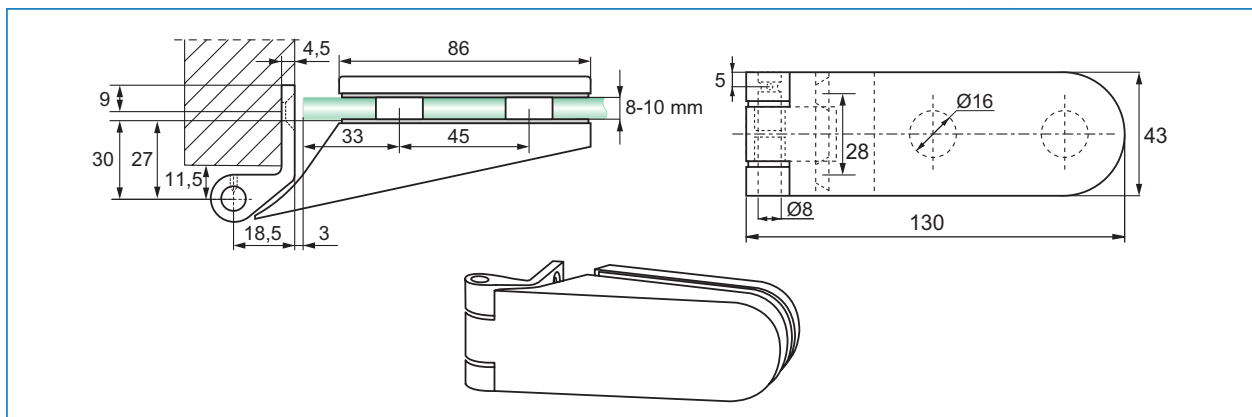
Finish: SS-look or Alu anodized

One hinge consist of

- 1 aluminum mounting plate 43 x 30 mm
- 1 aluminum hinge body 130 x 43 mm
- 1 aluminum back plate 84 x 40 mm
- 1 stainless steel cover plate w/adhesive tape

Item No.:

Alu anodized # 15.25.090
SS-look # 15.25.091



GLASS DOOR HINGE "BONN"

Application:

Can be used for left & right hand doors

Opening: 180°

Load Capacity: 45 kg pr. hinge

Glass thickness: 8 - 10 mm

Max glass width: 1000 mm

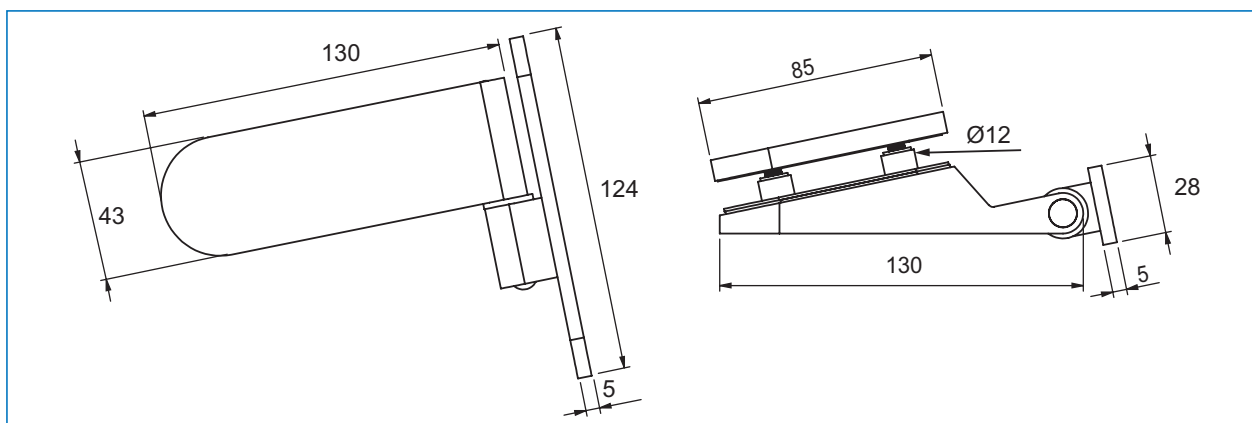
Drilling: \varnothing 12 mm

One hinge consists of

- 1 aluminium mounting plate 28 x 124 mm w/3 CSK screws holes \varnothing 6,5 mm
- 1 aluminium hinge body 43 x 130 mm
- 1 aluminium back cover plate 42 x 85 mm
- 4 gaskets in 1 mm thickness
- 3 stainless steel wall mounting screws M6 x 30 mm
- 3 steel expansion wall plugs \varnothing 8 x 24 mm.

Item No.

#15.25.035



GLASS DOOR HINGE "RIGA"

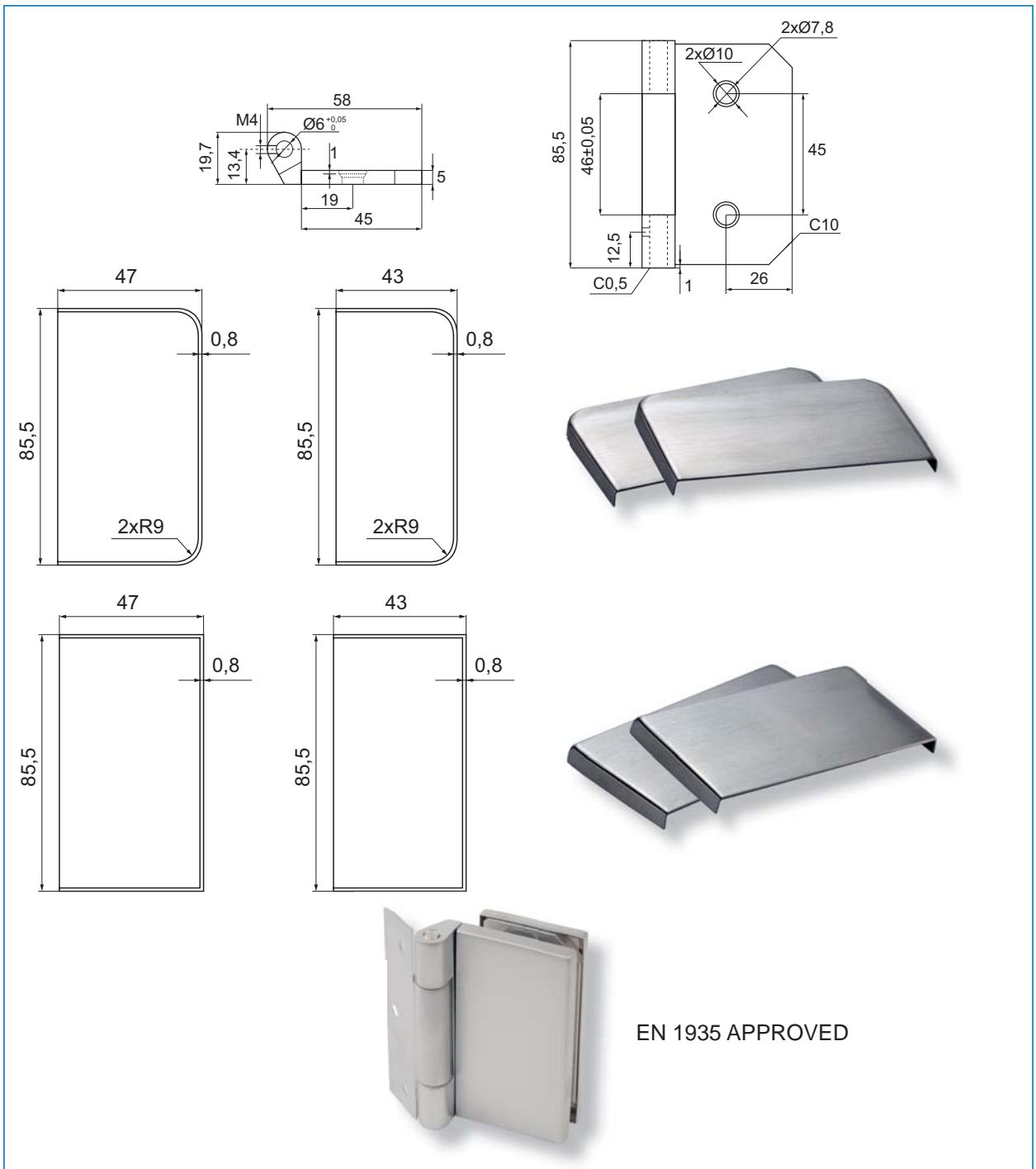
Description:
 Glass door aluminium hinge, wall/glass for 6-10mm glass, **without** cover plates (to be ordered seperately).

Load capacity: 45 kg pr. pair.

Finish:
 SS-Look or Alu-Look

Item No:
 Glass door hinge Alu-Look # 15.30.002-0
 Glass door hinge SS-Look # 15.30.002-9

Seperate cover caps SS-304 (set with 2 pcs):
 Cover Caps, Round, Alu-Look # 15.30.003
 Cover Caps, Square, Alu-Look # 15.30.004
 Cover Caps, Round, SS-Look # 15.30.005
 Cover Caps, Square, SS-Look # 15.30.006



GLASS DOOR HINGE "GRAZ"

- high quality furniture fittings

Description:

Glass door aluminium hinge, wall/glass for 6 - 10 mm glass.

Without cover plates (to be bought seperately)

Load capacity: 45 kg pr. pair

Item No:

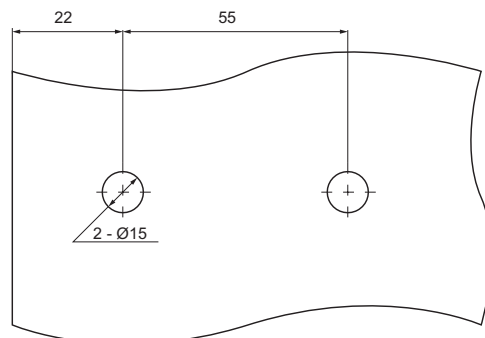
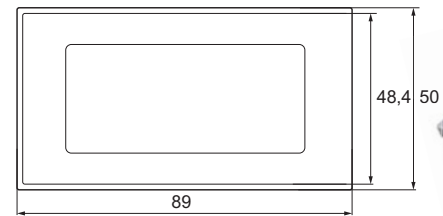
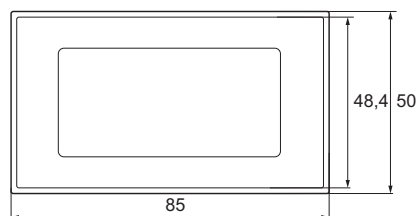
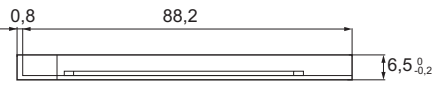
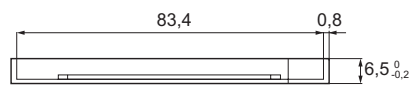
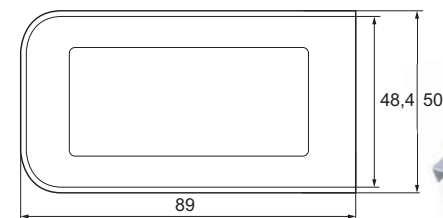
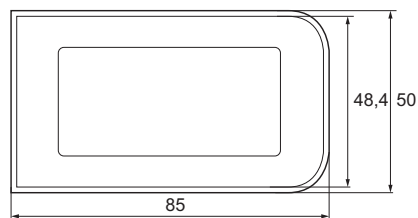
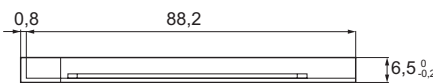
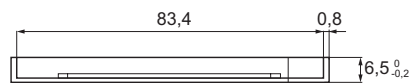
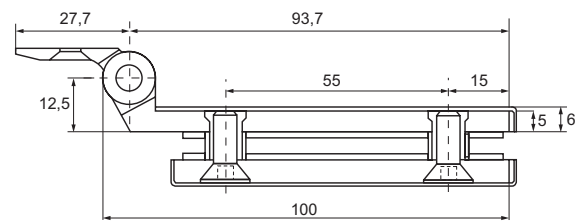
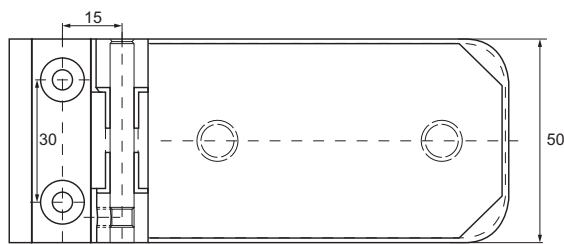
Glass door hinge SS-Look # 15.30.010
 Glass door hinge Alu-Look # 15.30.012

Separate cover plates SS-304 (set with 2 pieces):

Cover caps, Round, SS-Look # 15.30.013
 Cover caps, Square, SS-Look # 15.30.014
 Cover caps, Round, Alu-Look # 15.30.017
 Cover caps, Square, Alu-Look # 15.30.018



EN 1935 APPROVED



SHOWER DOOR HINGE „TEX“

Application

Suitable for glass door/shower doors
 Drilling/cutting required
 W/angle adjustment function
 W/25° return function (self-centering)

Opening: 90°

Max glass width: 800 mm

Load capacity: 18 kg per hinge

Glass thickness: 6-10 mm

Material

Brass

1 hinge consists of

- 1 hinge 90 x 55 mm
- 1 mounting plate 4 x 90 x 50 mm
- 2 hex screws 4 mm
- 1 L-shaped 4 mm hex key
- 2 transparent cushions 1 mm thickness
- 2 transparent cushions 1,5 mm thickness
- 2 screws w/2,5 mm hex
- 1 L-shaped hex key 2,5 mm
- 4 wall plugs
- 4 wall screws
- 1 drilling/cutting template

Finish

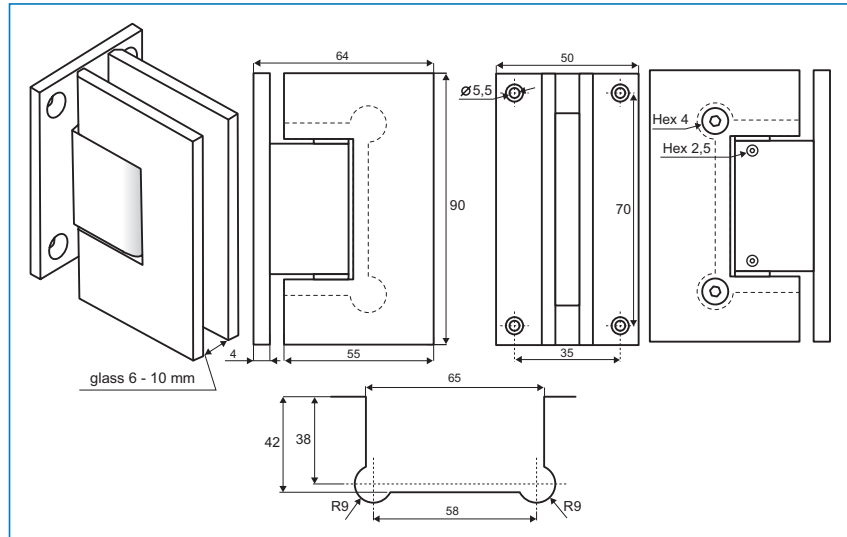
- SS-look # 15.24.000
- Chrome plated # 15.24.002
- Alu-finish # 15.24.001

Packing

20 pcs per carton



EN 1935 APPROVED



SHOWER DOOR HINGE „TEX“ W/OFF CENTRE MOUNTING PLATE

Application

Suitable for glass door/shower doors
 Drilling/cutting required
 W/angle adjustment function
 W/25° return function (self-centering)

Opening: 90°

Max glass width: 800 mm

Load capacity: 18 kg per hinge

Glass thickness: 6-10 mm

Material

Brass

1 hinge consists of

- 1 hinge 90 x 55 mm
- 1 mounting plate 4 x 90 x 50 mm
- 2 hex screws 4 mm
- 1 L-shaped 4 mm hex key
- 2 transparent cushions 1 mm thickness
- 2 transparent cushions 1,5 mm thickness
- 2 screws w/2,5 mm hex
- 1 L-shaped hex key 2,5 mm
- 3 wall plugs
- 3 wall screws
- 1 drilling/cutting template

Finish

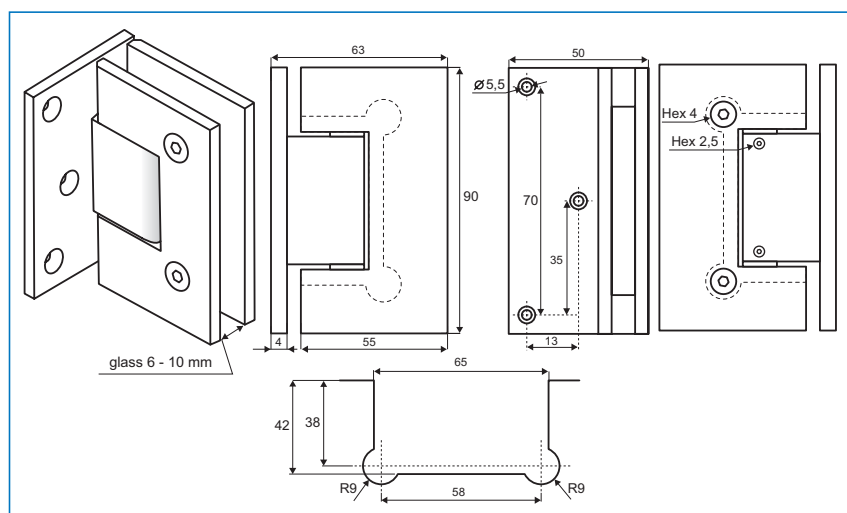
- SS-look # 15.24.010
- Alu-finish # 15.24.011
- Chrome plated # 15.24.012

Packing

20 pcs per carton



EN 1935 APPROVED



SHOWER DOOR HINGE „TEX“ GLASS TO GLASS 180°

- high quality furniture fittings



Application

Suitable for glass door/shower doors
Drilling/cutting required

W/angle adjustment function

W/25° return function (self-centering)

Opening: 180°

Max glass width: 800 mm

Load capacity: 18 kg per hinge

Glass thickness: 6 - 10 mm

Material

Brass

1 hinge consists of

1 hinge 90 x 55 mm

1 glass wall fixing plate 90 x 55 mm

4 hex screws 4 mm

1 L-shaped 4 mm hex key

4 transparent cushions 1 mm thickness

4 transparent cushions 1,5 mm thickness

2 screws w/2,5 mm hex

1 L-shaped hex key 2,5 mm

1 drilling/cutting template

Finish

SS-look # 15.24.005

Alu-finish # 15.24.006

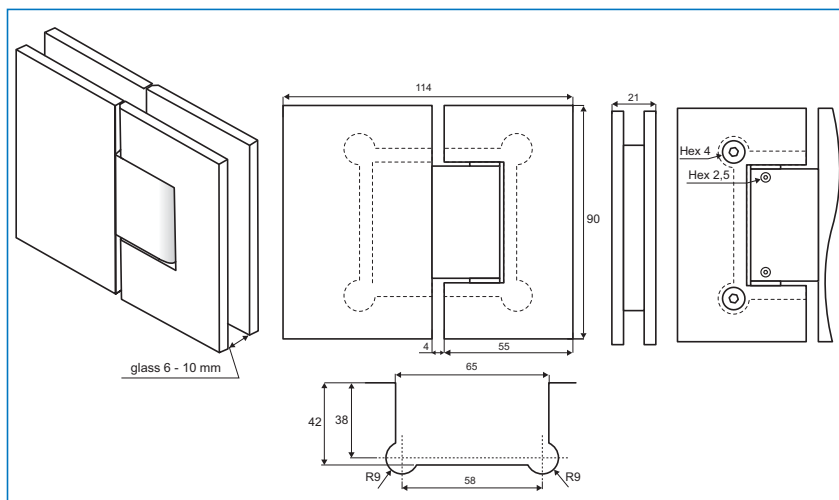
Chrome plated # 15.24.007

Packing

10 pcs per carton



EN 1935 APPROVED



SHOWER DOOR HINGE „TEX“ GLASS TO GLASS 90°

Application

Suitable for glass doors/shower doors
Drilling/cutting required

W/angle adjustment function

W/25° return function (self-centering)

Opening: 90°

Max glass width: 800 mm

Load Capacity: 18 kg per hinge

Glass thickness: 6 - 10 mm

Material

Brass

1 hinge consists of

1 hinge 90 x 55 mm

1 glass wall fixing plate 90 x 55 mm

4 hex screws 4 mm

1 L-shaped 4 mm hex key

2 transparent cushions 1 mm tickness

2 transparent cushions 1,5 mm tickness

2 screws w/2,5 mm hex

1 L-shaped 2,5 mm hex key

1 drilling/cutting template

Finish

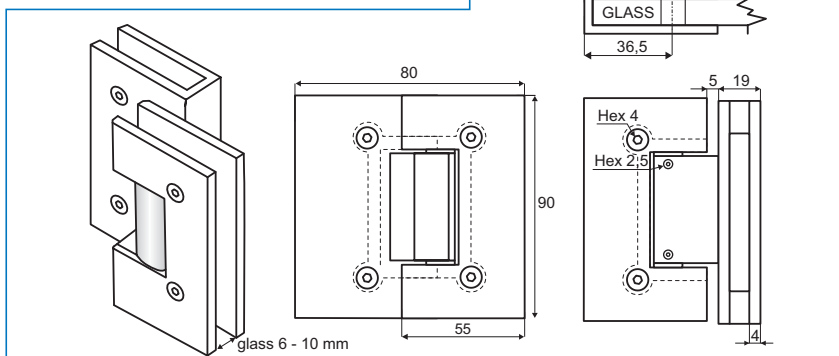
Chrome Plated # 15.24.015

Packing

20 pcs per carton



EN 1935 APPROVED



SHOWER DOOR HINGE „CPH“

Application

Suitable for glass door/shower doors
 Drilling/cutting required
 W/angle adjustment function
 W/25° return function (self-centering)

Opening: 90°

Max glass width: 800 mm

Load capacity: 18 kg per hinge

Glass thickness: 6-10 mm

Material

Brass

1 hinge consists of

- 1 hinge 90 x 55 mm
- 1 mounting plate 4 x 90 x 50 mm
- 2 hex screws 4 mm
- 1 L-shaped 4 mm hex key
- 2 transparent cushions 1 mm thickness
- 2 transparent cushions 1,5 mm thickness
- 2 screws w/2,5 mm hex
- 1 L-shaped hex key 2,5 mm
- 4 wall plugs & 4 wall screws
- 1 drilling/cutting template

Finish

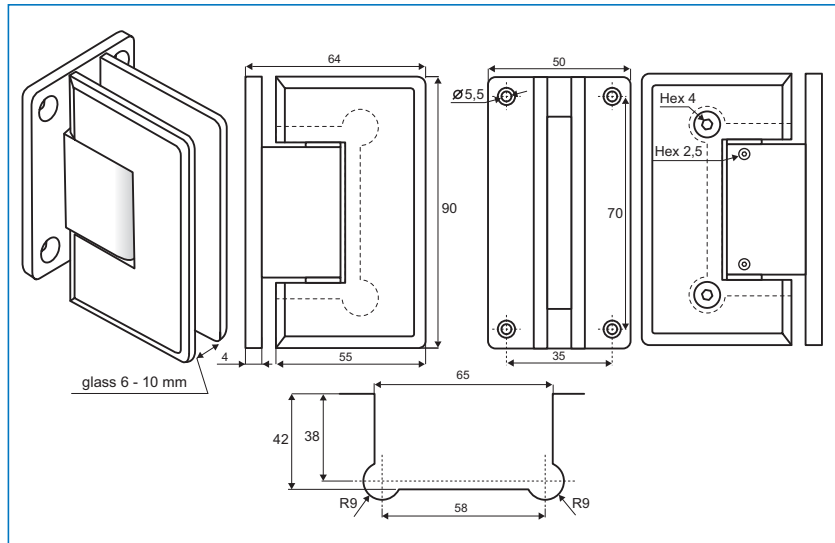
- SS-look # 15.23.811
- Chrome plated # 15.23.810
- Alu-finish # 15.23.812

Packing

20 pcs per carton



EN 1935 APPROVED



SHOWER DOOR HINGE „CPH“ W/OFF CENTRE MOUNTING PLATE

Application

Suitable for glass door/shower doors
 Drilling/cutting required
 W/angle adjustment function
 W/25° return function (self-centering)

Opening: 90°

Max glass width: 800 mm

Load capacity: 18 kg per hinge

Glass thickness: 6-10 mm

Material

Brass

1 hinge consists of

- 1 hinge 90 x 55 mm
- 1 mounting plate 4 x 90 x 50 mm
- 2 hex screws 4 mm
- 1 L-shaped 4 mm hex key
- 2 transparent cushions 1 mm thickness
- 2 transparent cushions 1,5 mm thickness
- 2 screws w/2,5 mm hex
- 1 L-shaped hex key 2,5 mm
- 3 wall plugs & 3 wall screws
- 1 drilling/cutting template

Finish

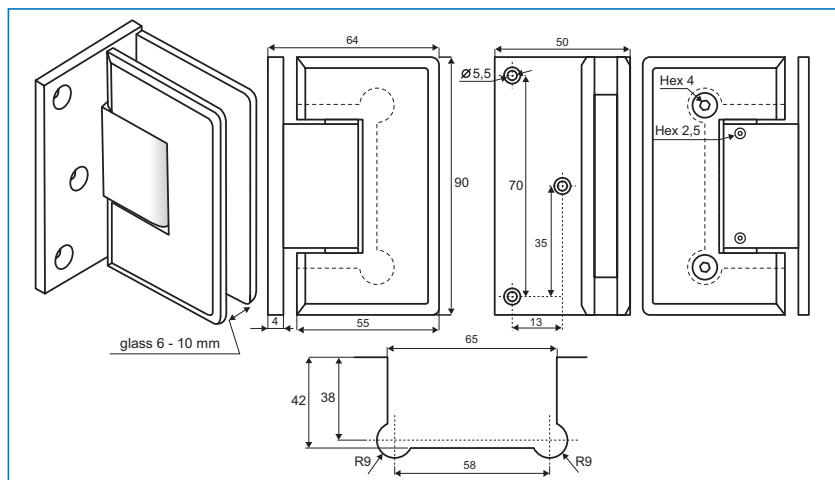
- SS-look # 15.23.815
- Chrome plated # 15.23.814
- Alu-finish # 15.23.816

Packing

20 pcs per carton



EN 1935 APPROVED



SHOWER DOOR HINGE „CPH“ GLASS TO GLASS 180°

- high quality furniture fittings



Application

Suitable for glass door/shower doors
Drilling/cutting required
W/angle adjustment function
W/25° return function (self-centering)

Opening: 180°

Max glass width: 800 mm

Load capacity: 18 kg per hinge

Glass thickness: 6-10 mm

Material

Brass

1 hinge consists of

- 1 hinge 90 x 55 mm
- 1 glass wall fixing plate 90 x 55 mm
- 4 hex screws 4 mm
- 1 L-shaped 4 mm hex key
- 4 transparent cushions 1 mm thickness
- 4 transparent cushions 1,5 mm thickness
- 2 screws w/2,5 mm hex
- 1 L-shaped hex key 2,5 mm
- 1 drilling/cutting template

Finish

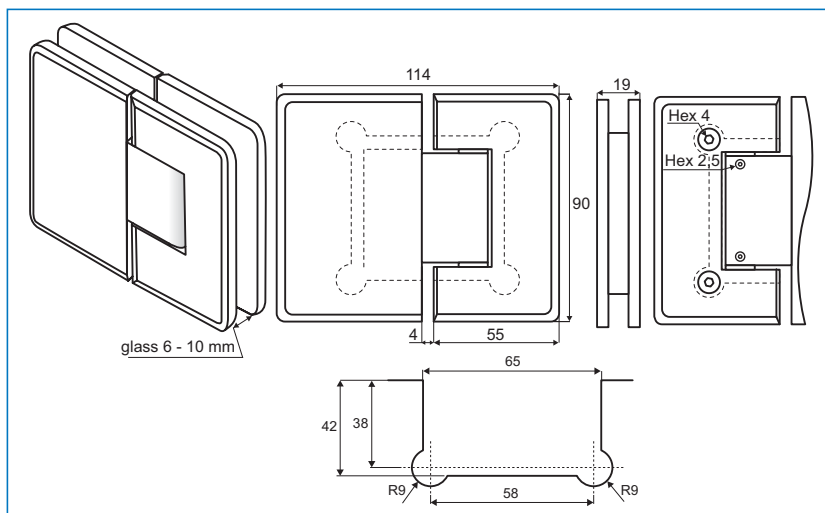
- SS-look # 15.23.820
- Chrome plated # 15.23.818
- Alu-finish # 15.23.819

Packing

10 pcs per carton



EN 1935 APPROVED



SHOWER DOOR HINGE „CPH“ GLASS TO GLASS 90°

Application

Suitable for glass doors/shower doors
Drilling/cutting required
W/angle adjustment function
W/25° return function (self-centering)

Opening: 90°

Max glass width: 800 mm

Load capacity: 18 kg per hinge

Glass thickness: 6-10 mm

Material

Brass

1 hinge consists of

- 1 hinge 90 x 55 mm
- 1 glass wall fixing plate 90 x 55 mm
- 4 hex screws 4 mm
- 1 L-shaped 4 mm hex key
- 4 transparent cushions 1 mm thickness
- 4 transparent cushions 1,5 mm thickness
- 2 screws w/2,5 mm hex
- 1 L-shaped 2,5 mm hex key
- 1 drilling/cutting template

Finish

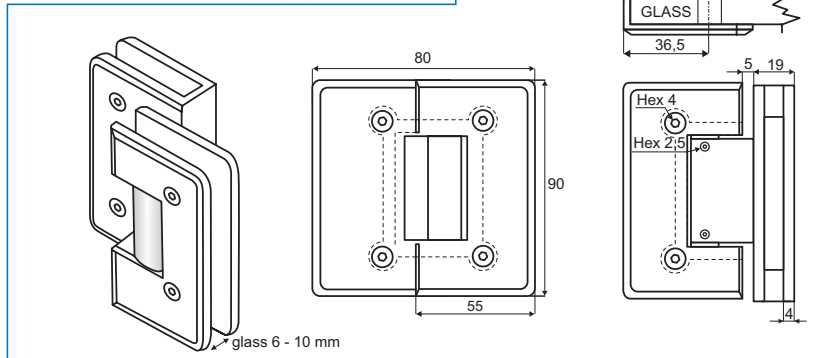
- Chrome plated # 15.23.821
- SS-look # 15.23.822
- Alu-finish # 15.23.823

Packing

20 pcs per carton



EN 1935 APPROVED



SHOWER DOOR HINGE „CPH“ GLASS TO GLASS 135°

Application

Suitable for glass doors/shower doors
Drilling/cutting required
W/angle adjustment function
W/25° return function (self-centering)

Opening: 135°

Max glass width: 800 mm

Load capacity: 18 kg per hinge

Glass thickness: 6 - 10 mm

Material

Brass

1 hinge consists of

- 1 hinge 90 x 55 mm
- 1 glass wall fixing plate 90 x 55 mm
- 4 hex screws 4 mm
- 1 L-shaped 4 mm hex key
- 4 transparent cushions 1 mm thickness
- 4 transparent cushions 1,5 mm thickness
- 2 screws w/2,5 mm hex
- 1 L-shaped 2,5 mm hex key
- 1 drilling/cutting template

Finish

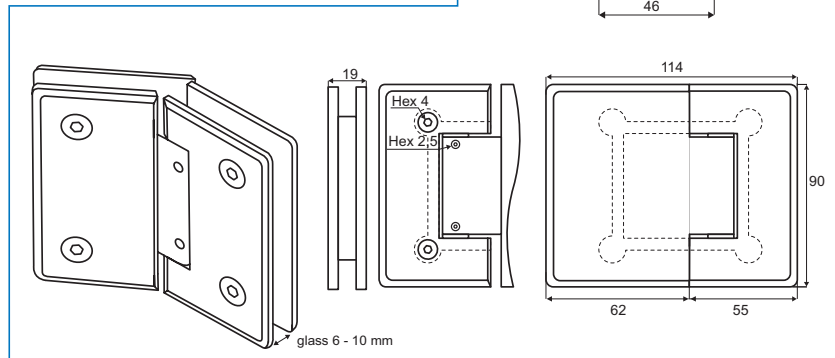
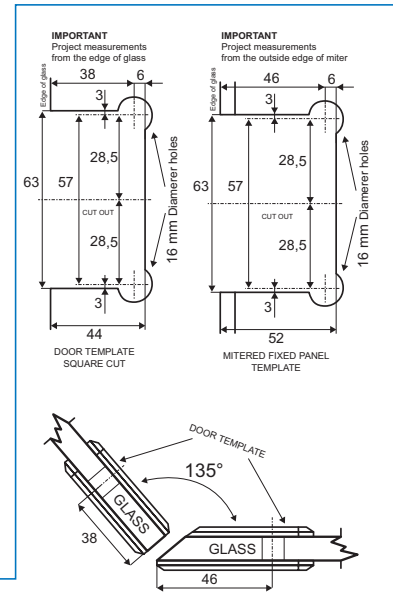
- Chrome plated # 15.23.807
- SS-look # 15.23.808
- Alu-finish # 15.23.809

Packing

10 pcs per carton



EN 1935 APPROVED



SHOWER DOOR HINGE „JUN“ W/OFF CENTRE MOUNTING PLATE

Application

Suitable for glass door
Drilling/cutting required
W/15° return function

Opening: 90°

Load capacity: 12 kg per hinge

Glass thickness: 6 - 8 mm

Material

Brass

1 hinge consists of

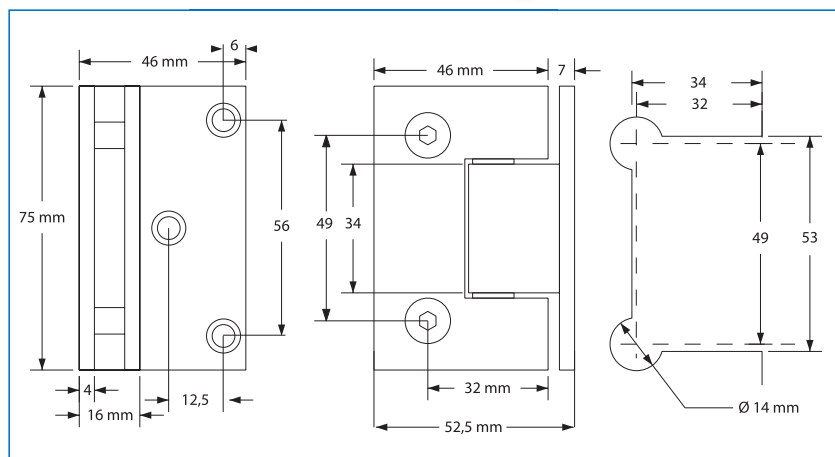
- 1 hinge 75 x 46 mm
- 1 mounting plated 75x43x4 mm (H/W/T)
- 2 transparent cushions 1 mm thickness
- 2 transparent cushions 1,5 mm thickness
- 1 L-shaped hex key 4 mm
- 3 wall plugs
- 3 wall screws

Finish

- Chrome plated # 15.24.205

Packing

20 pcs per carton



SHOWER DOOR HINGE „JUN“ GLASS TO GLASS 180°

- high quality furniture fittings



Application

Suitable for glass door
Drilling/cutting required
W/15° return function

Opening: 180°

Load capacity: 14 kg per hinge

Glass thickness: 6 - 8 mm

Material

Brass

1 hinge consists of

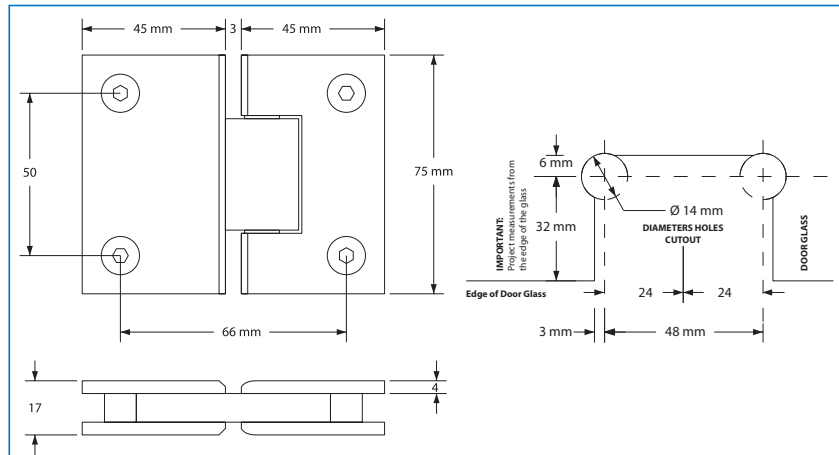
- 1 hinge 75 x 45 mm
- 4 transparent cushions 1 mm thickness
- 4 transparent cushions 1,5 mm thickness
- 1 L-shaped hex key 4 mm

Finish

Chrome plated # 15.24.210

Packing

20 pcs per carton



SHOWER DOOR HINGE „JUN“ GLASS TO GLASS 135°

Application

Suitable for glass door
Drilling/cutting required
W/15° return function

Opening: 135°

Load capacity: 14 kg per hinge

Glass thickness: 6 - 8 mm

Material

Brass

1 hinge consists of

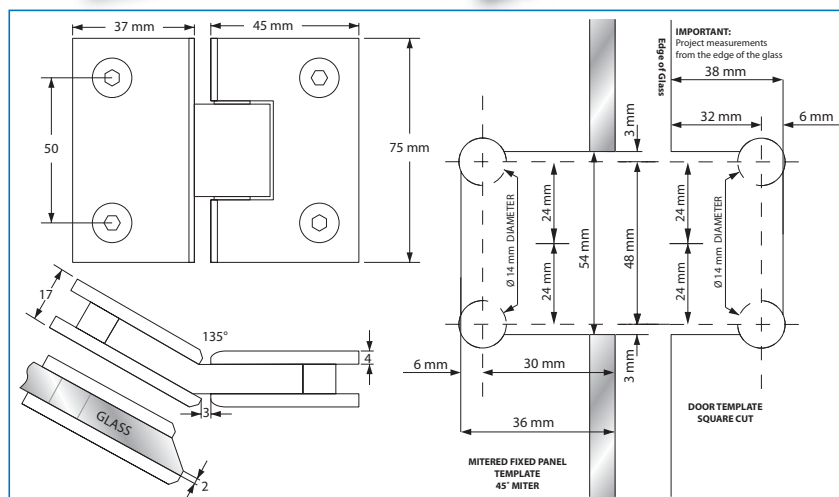
- 1 hinge 75 x 45 mm & 75 x 37 mm
- 4 transparent cushions 1 mm thickness
- 4 transparent cushions 1,5 mm thickness
- 1 L-shaped hex key 4 mm

Finish

Chrome plated # 15.24.215

Packing

20 pcs per carton



SHOWER DOOR HINGE „LINZ“ W/OFF CENTRE MOUNTING PLATE

Application

Suitable for glass door/shower doors
Drilling/cutting required
W/angle adjustment function
W/25° return function (self-centering)

Opening: 90°

Max glass width: 800 mm

Load capacity: 18 kg per hinge

Glass thickness: 6-10 mm

Material

Brass

1 hinge consists of

- 1 hinge 55 x 112 mm
- 1 mounting plate 33 x 55 mm
- 2 fixing screws 4 mm hex
- 1 L-shaped 4 mm hex key
- 2 transparent cushions 1 mm thickness
- 2 transparent cushions 1,5 mm thickness
- 1 angle adjustment screws w/3 mm hex
- 1 L-shaped hex key 3 mm
- 3 wall plugs & 3 wall screws
- 1 drilling/cutting template

Finish

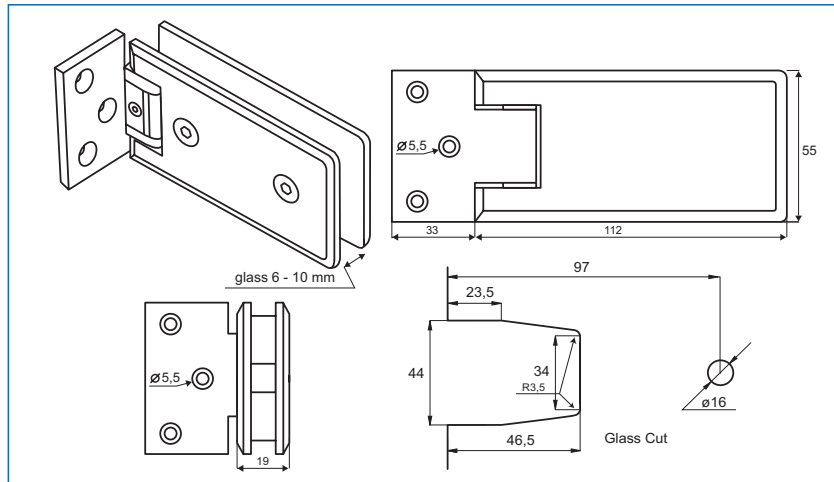
- SS-look # 15.23.845
- Chrome plated # 15.23.844
- Alu-finish # 15.23.846

Packing

20 pcs per carton



EN 1935 APPROVED



SHOWER DOOR HINGE „LINZ“ W/CENTRE MOUNTING PLATE

Application

Suitable for glass door/shower doors
Drilling/cutting required
W/angle adjustment function
W/25° return function (self-centering)

Opening: 90°

Max glass width: 800 mm

Load capacity: 18 kg per hinge

Glass thickness: 6-10 mm

Material

Brass

1 hinge consists of

- 1 hinge 55 x 112 mm
- 1 mounting plate 61 x 55 mm
- 2 fixing screws 4 mm hex
- 1 L-shaped 4 mm hex key
- 2 transparent cushions 1 mm thickness
- 2 transparent cushions 1,5 mm thickness
- 1 angle adjustment screws w/3 mm hex
- 1 L-shaped hex key 3 mm
- 3 wall plugs & 3 wall screws
- 1 drilling/cutting template

Finish

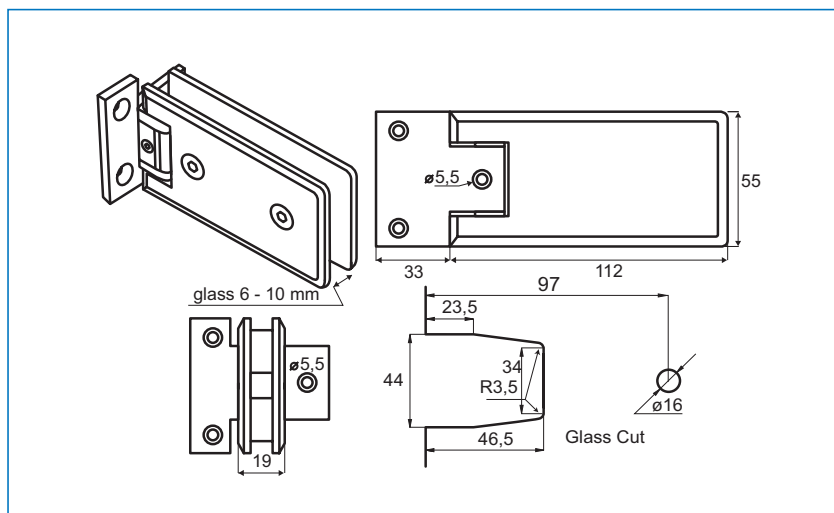
- SS-look # 15.23.841
- Chrome plated # 15.23.840
- Alu-finish # 15.23.842

Packing

20 pcs per carton



EN 1935 APPROVED



SHOWER DOOR HINGE „LINZ“ GLASS TO GLASS 135°

- high quality furniture fittings



Application

Suitable for glass doors/shower doors
Drilling/cutting required
W/angle adjustment function
W/25° return function (self-centering)

Opening: 135°

Max glass width: 800 mm

Load capacity: 18 kg per hinge

Glass thickness: 6 - 10 mm

Material

Brass

1 hinge consists of

- 1 hinge 55 x 112 mm
- 1 glass wall fixing plate 55 x 112 mm
- 4 hex screws 4 mm
- 1 L-shaped 4 mm hex key
- 4 transparent cushions 1 mm thickness
- 4 transparent cushions 1,5 mm thickness
- 1 angle adjustment screw w/3mm hex
- 1 L-shaped 3 mm hex key
- 1 drilling/cutting template

Finish

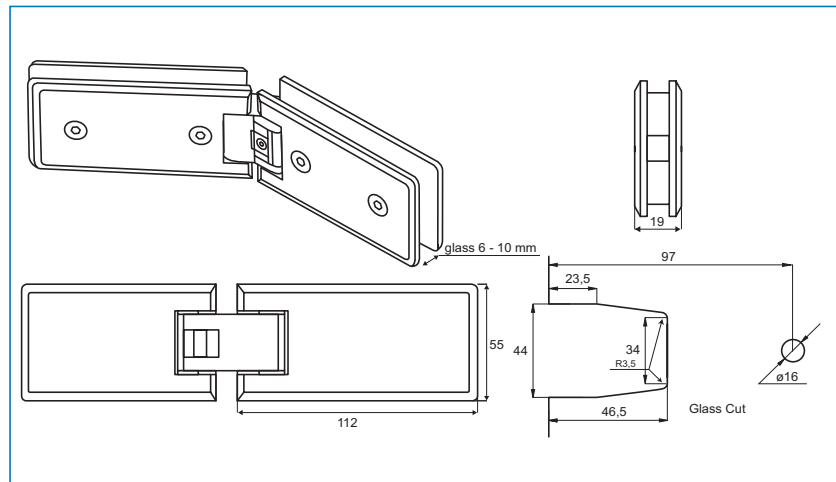
- Chrome plated # 15.23.850
- SS-look # 15.23.851
- Alu-finish # 15.23.852

Packing

10 pcs per carton



EN 1935 APPROVED



SHOWER DOOR HINGE „LINZ“ GLASS TO GLASS 90°

Application

Suitable for glass doors/shower doors
Drilling/cutting required
W/angle adjustment function
W/25° return function (self-centering)

Opening: 180°

Max glass width: 800 mm

Load capacity: 18 kg per hinge

Glass thickness: 6 - 10 mm

Material

Brass

1 hinge consists of

- 1 hinge 55 x 112 mm
- 1 glass wall fixing plate 55 x 112 mm
- 4 hex screws 4 mm
- 1 L-shaped 4 mm hex key
- 4 transparent cushions 1 mm
- 4 transparent cushions 1,5 mm
- 1 angle adjustment screw w/4 mm hex
- 1 drilling/cutting template

Finish

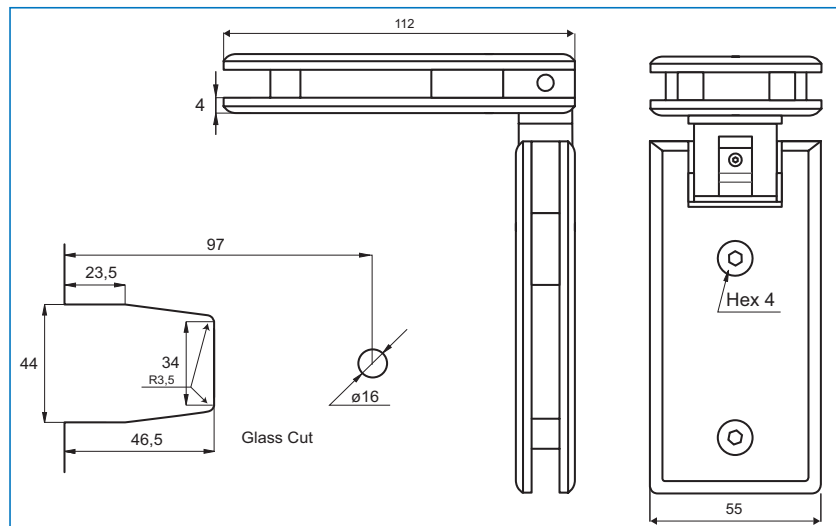
- Chrome plated # 15.23.860
- SS-Look # 15.23.861
- Alu finish # 15.23.862

Packing

10 pcs per carton



EN 1935 APPROVED



SHOWER DOOR HINGE „LINZ“ GLASS TO GLASS 180°

Application

Suitable for glass doors/shower doors
Drilling/cutting required
W/angle adjustment function
W/25° return function (self-centering)

Opening: 180°

Max glass width: 800 mm

Load capacity: 18 kg per hinge

Glass thickness: 6 - 10 mm

Material

Brass

1 hinge consists of

- 1 hinge 55 x 112 mm
- 1 glass wall fixing plate 55 x 112 mm
- 4 hex screws 4 mm
- 1 L-shaped 4 mm hex key
- 4 transparent cushions 1 mm thickness
- 4 transparent cushions 1,5 mm thickness
- 1 angle adjustment screw w/3mm hex
- 1 L-shaped 3 mm hex key
- 1 drilling/cutting template

Finish

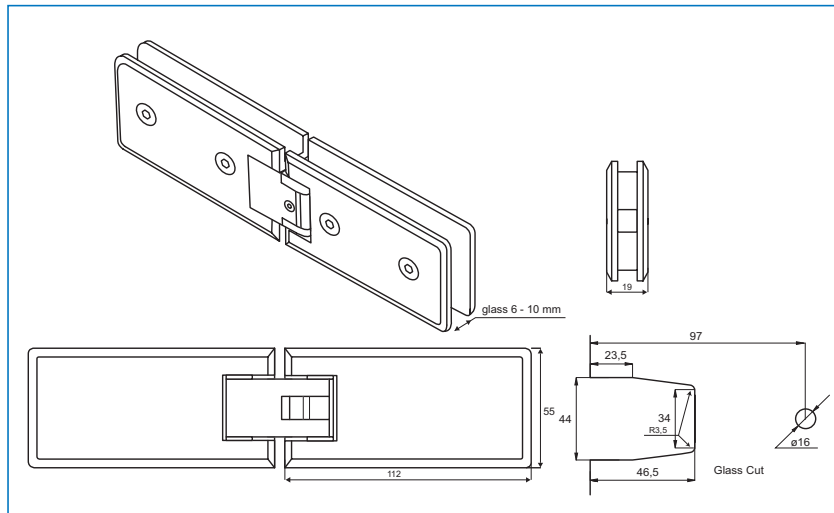
- Chrome plated # 15.23.847
- SS-look # 15.23.848
- Alu-finish # 15.23.849

Packing

10 pcs per carton



EN 1935 APPROVED



SHOWER DOOR HINGE „LINZ“ GLASS TO GLASS 180° W/OVERLAP

Application

Suitable for glass doors/shower doors
Drilling/cutting required
W/25 mm overlap
W/25° return function (self-centering)
W/angle adjustment function
27 mm distance between the glass plates

Opening: 180°

Max glass width: 800 mm

Load capacity: 18 kg per hinge

Glass thickness: 6 - 10 mm

Material

Brass

1 hinge consists of

- 1 hinge 55 x 112 mm
- 1 glass wall fixing plate 55 x 112 mm
- 4 hex screws 4 mm
- 1 L-shaped 4 mm hex key
- 4 transparent cushions 1 mm thickness
- 4 transparent cushions 1,5 mm thickness
- 1 angle adjustment screw w/3mm hex
- 1 L-shaped 3 mm hex key
- 1 drilling/cutting template

Finish

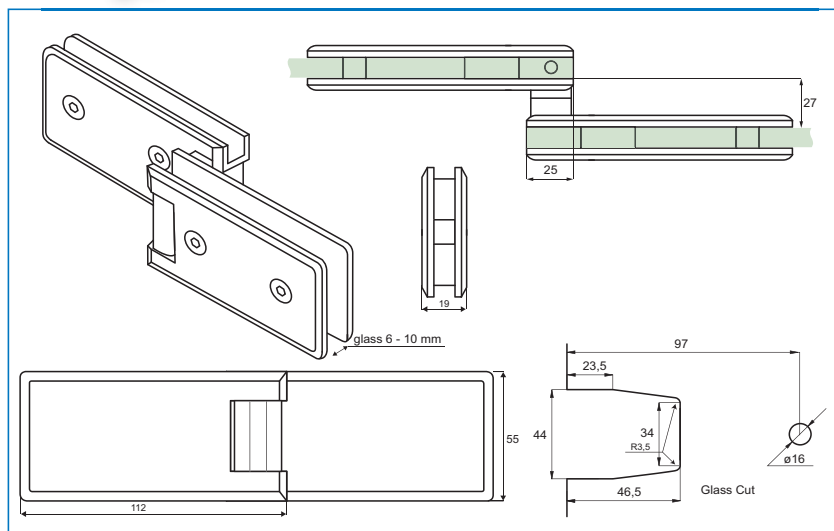
- Chrome plated # 15.23.855
- SS-look # 15.23.856
- Alu-finish # 15.23.857

Packing

10 pcs per carton



EN 1935 APPROVED



SHOWER DOOR HINGE „KING“ W/OFF CENTRE MOUNTING PLATE

- high quality furniture fittings



Application

Suitable for glass doors/shower doors
Drilling/cutting required
W/angle adjustment function
W/25° return function (self-centering)

Opening: 90°

Max glass width: 800 mm

Load capacity: 18 kg per hinge

Glass thickness: 6 - 10 mm

Material

Brass

1 hinge consists of

- 1 hinge 55 x 112 mm
- 1 mounting plate 19 x 55 mm
- 2 fixing screws 4 mm hex
- 1 L-shaped 4 mm hex key
- 2 transparent cushions 1 mm thickness
- 2 transparent cushions 1,5 mm thickness
- 1 angle adjustment screw w/3 mm hex
- 1 L-shaped 3 mm hex key
- 2 wall plugs & 2 wall screws
- 1 drilling/cutting template

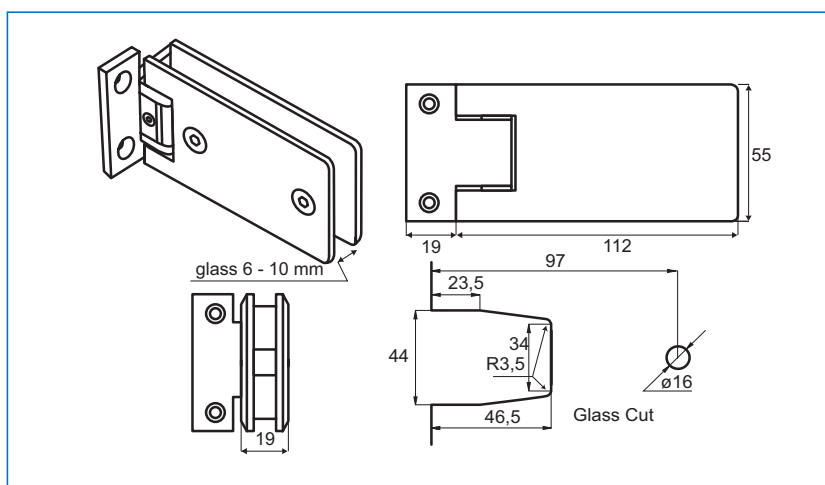
Finish

Chrome plated # 15.24.130

SS-lock # 15.24.131

Packing

20 pcs per carton



SHOWER DOOR HINGE „KING“ GLASS TO GLASS 135°

Application

Suitable for glass doors/shower doors
Drilling/cutting required
W/angle adjustment function
W/25° return function (self-centering)

Opening: 135°

Max glass width: 800 mm

Load capacity: 18 kg per hinge

Glass thickness: 6 - 10 mm

Material

Brass

1 hinge consists of

- 1 hinge 55 x 112 mm
- 1 glass wall fixing plate 55 x 112 mm
- 4 hex screws 4 mm
- 1 L-shaped 4 mm hex key
- 4 transparent cushions 1 mm thickness
- 4 transparent cushions 1,5 mm thickness
- 1 angle adjustment screw w/3mm hex
- 1 L-shaped 3 mm hex key
- 1 drilling/cutting template

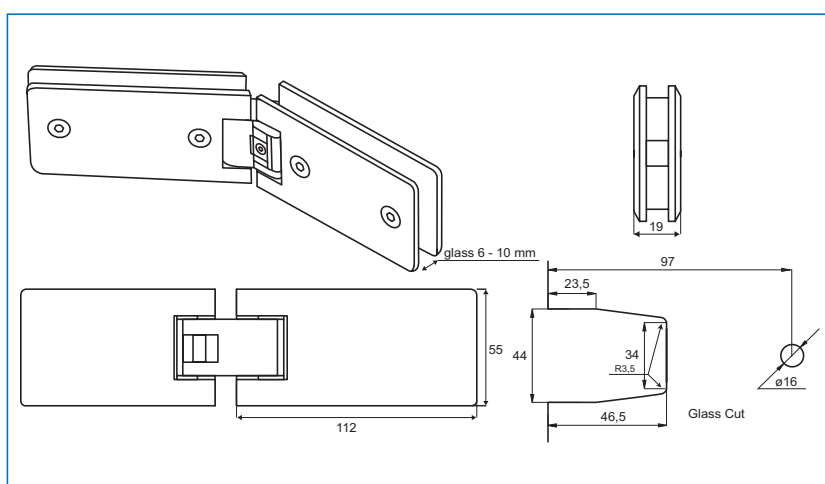
Finish

Chrome plated # 15.24.140

SS-lock # 15.24.141

Packing

10 pcs per carton



SHOWER DOOR HINGE "KING" GLASS TO GLASS 90°

Application

Suitable for glass doors/shower doors
Drilling/cutting required
W/angle adjustment function
W/25° return function (self-centering)

Opening: 180°

Max glass width: 800 mm

Load capacity: 18 kg per hinge

Glass thickness: 6 – 10 mm

Material

Brass

1 hinge consists of

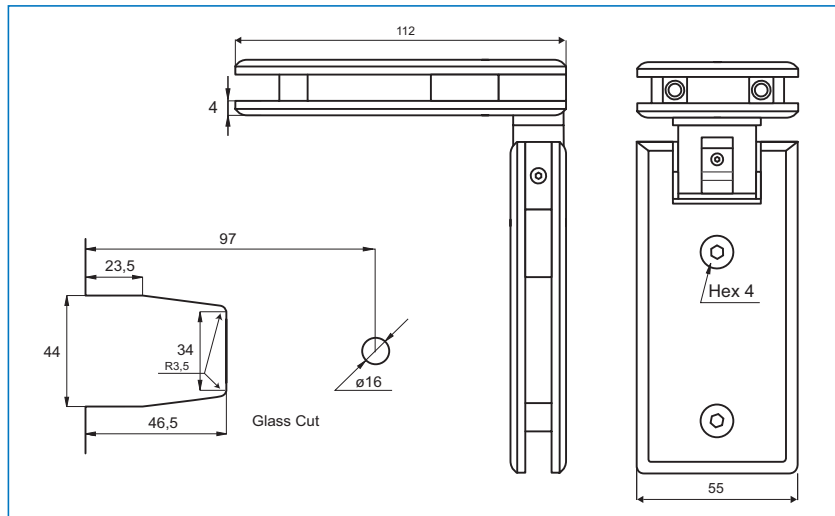
- 1 hinge 55 x 112 mm
- 1 glass wall fixing plate 55 x 112 mm
- 4 hex screws 4 mm
- 1 L-shaped 4 mm hex key
- 4 transparent cushions 1 mm
- 4 transparent cushions 1,5 mm
- 1 angle adjustment screw w/4 mm hex
- 1 drilling/cutting template

Finish

- Chrome plated # 15.24.145
- SS-Look # 15.24.146
- Alu finish # 15.24.147

Packing

10 pcs per carton



SHOWER DOOR HINGE „KING“ GLASS TO GLASS 180°

Application

Suitable for glass doors/shower doors
Drilling/cutting required
W/angle adjustment function
W/25° return function (self-centering)

Opening: 180°

Max glass width: 800 mm

Load capacity: 18 kg per hinge

Glass thickness: 6 - 10 mm

Material

Brass

1 hinge consists of

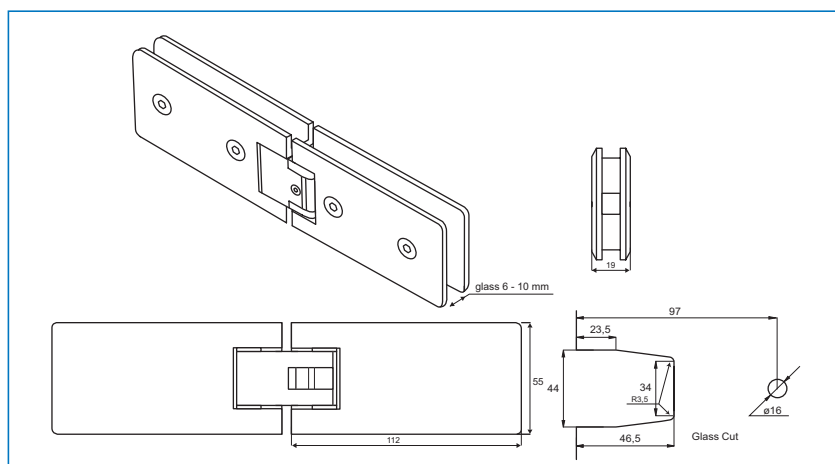
- 1 hinge 55 x 112 mm
- 1 glass wall fixing plate 55 x 112 mm
- 4 hex screws 4 mm
- 1 L-shaped 4 mm hex key
- 4 transparent cushions 1 mm thickness
- 4 transparent cushions 1,5 mm thickness
- 1 angle adjustment screw w/3mm hex
- 1 L-shaped 3 mm hex key
- 1 drilling/cutting template

Finish

- Chrome plated # 15.24.135
- SS-look # 15.24.136

Packing

10 pcs per carton



SHOWER DOOR HINGE „ZUG“ W/OFF CENTRE MOUNTING PLATE

- high quality furniture fittings



Application

Suitable for glass door/shower doors
Drilling/cutting required
W/angle adjustment function
W/25° return function (self-centering)

Opening: 90°

Max glass width: 800 mm

Load capacity: 18 kg per hinge

Glass thickness: 6-10 mm

Material

Brass

1 hinge consists of

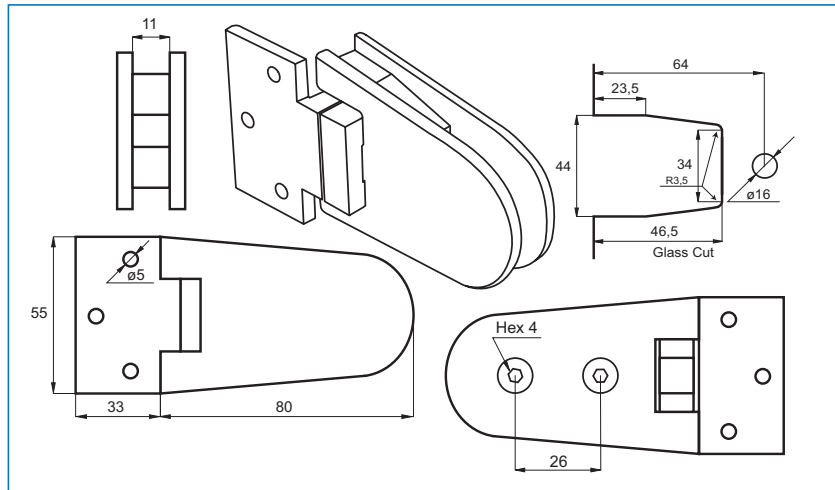
- 1 hinge 55 x 80 mm
- 1 mounting plate 33 x 55 mm
- 2 fixing screws 4 mm hex
- 1 L-shaped 4 mm hex key
- 2 transparent cushions 1 mm thickness
- 2 transparent cushions 1,5 mm thickness
- 1 angle adjustment screws w/3 mm hex
- 1 L-shaped hex key 3 mm
- 3 wall plugs & 3 wall screws
- 1 drilling/cutting template

Finish

Chrome plated # 15.23.010

Packing

20 pcs per carton



SHOWER DOOR HINGE "ZUG" GLASS TO GLASS - 90°

Application

Suitable for glass doors/shower doors
Drilling/cutting required
W/angle adjustment function
W/25° return function (self-centering)

Opening: 180°

Max glass width: 800 mm

Load capacity: 18 kg per hinge

Glass thickness: 6 – 10 mm

Material

Brass

1 hinge consists of

- 1 hinge 55 x 80 mm
- 1 glass wall fixing plate 55 x 80 mm
- 4 hex screws 4 mm
- 1 L-shaped 4 mm hex key
- 4 transparent cushions 1 mm
- 4 transparent cushions 1,5 mm
- 1 angle adjustment screw w/4 mm hex
- 1 drilling/cutting template

Finish

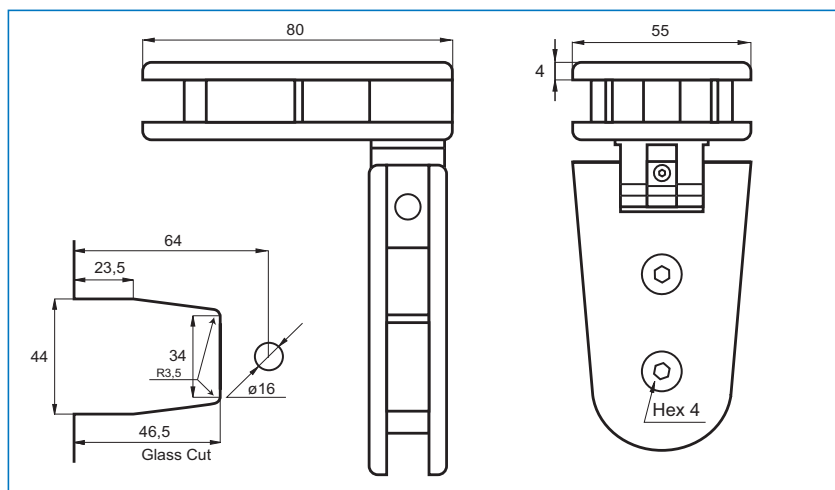
Chrome plated # 15.23.015

SS-Look # 15.23.016

Alu finish # 15.23.017

Packing

10 pcs per carton



SHOWER DOOR HINGE "ZUG" GLASS TO GLASS - 180°

Application

Suitable for glass doors/shower doors
Drilling/cutting required
W/angle adjustment function
W/25° return function (self-centering)

Opening: 180°

Max glass width: 800 mm

Load capacity: 18 kg per hinge

Glass thickness: 6 – 10 mm

Material

Brass

1 hinge consists of

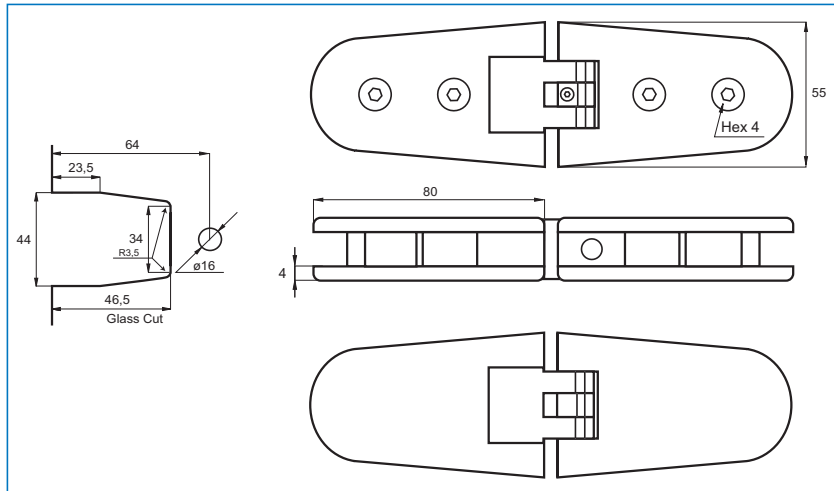
- 1 hinge 55 x 80 mm
- 1 glass wall fixing plate 55 x 80 mm
- 4 hex screws 4 mm
- 1 L-shaped 4 mm hex key
- 4 transparent cushions 1 mm
- 4 transparent cushions 1,5 mm
- 1 angle adjustment screw w/4 mm hex
- 1 drilling/cutting template

Finish

- Chrome plated # 15.23.020
- SS-Look # 15.23.021
- Alu finish # 15.23.022

Packing

10 pcs per carton



KLINGERSIL GASKETS FOR SHOWER DOOR HINGES - EASY MOUNTING

Application

To be used as gaskets for shower hinges.

Function

Anti-stick finish on both sides which makes mounting & adjustment of hinges easy.
Excellent resistance to low pressure steam & water
Excellent color resistance

Material

Aramid & glass fibres with a nitrile rubber binder.
Meets non-asbestors standard BS7531 Grade Y
Green/black color

Model LINZ & KING

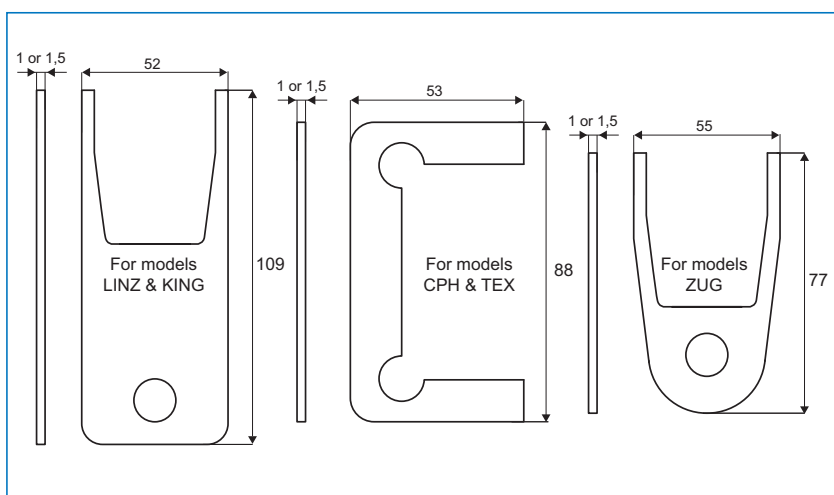
- Size: 102 x 57 mm
- 1 mm # 15.22.411
- 1,5 mm # 15.22.412

Model CPH & TEX

- Size: 88 x 53 mm
- 1 mm # 15.22.413
- 1,5 mm # 15.22.414

Model ZUG

- Size: 77 x 50 mm
- 1 mm # 15.22.415
- 1,5 mm # 15.22.416



SHOWER PIVOT HINGE FLOOR/GLASS "LODZ"

- high quality furniture fittings



Application

Suitable for glass door/shower doors
Top or bottom mounting,
drilling/cutting required
W/15° return function (self-centering)

Opening: 180°

Max glass width: 800 mm

Load capacity: 20 kg per hinge

Glass thickness: 8-10 mm

Material

Brass

1 hinge consists of

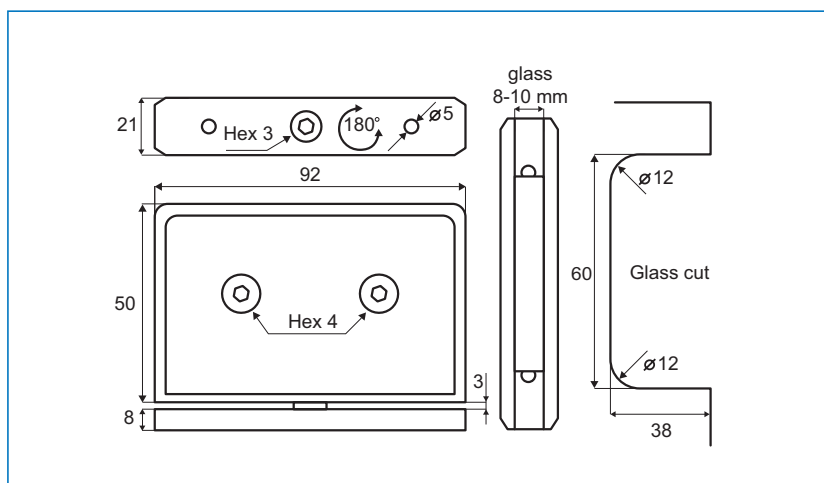
- 1 hinge 50 x 92 x 21 mm (H/W/D)
- 2 hex screws 4 mm
- 1 L-shaped 4 mm hex key
- 2 transparent cushions 1 mm thickness
- 2 transparent cushions 1,5 mm thickness
- 2 wall plugs
- 2 wall screws
- 1 drilling/cutting template

Finish

- SS-look # 15.23.900
- Alu-finish # 15.23.901
- Chrome plated # 15.23.902

Packing

10 pcs per carton



SHOWER PIVOT HINGE GLASS/GLASS "LODZ"

Application

Suitable for glass door/shower doors
Drilling/cutting required
W/15° return function (self-centering)

Features

Opening: 180°

Max glass width: 800 mm

Load capacity: 20 kg per hinge

Glass thickness: 8 - 10 mm

Material

Brass

1 hinge consists of

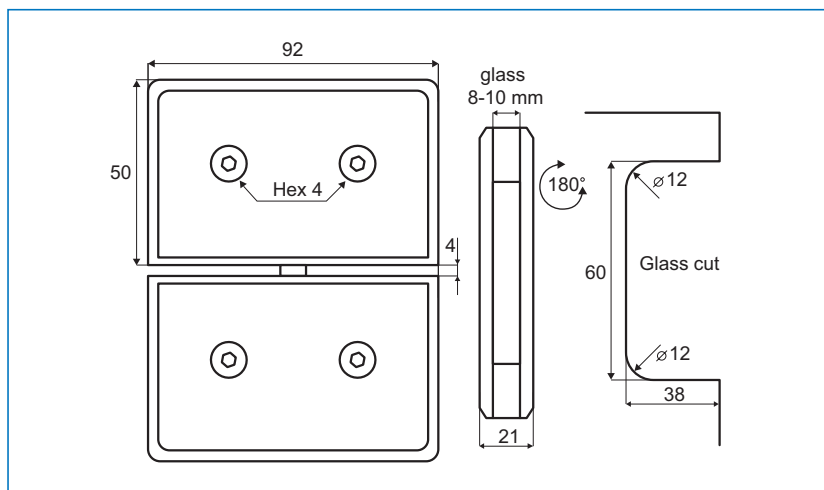
- 1 hinge 50 x 92 x 21 mm (H/W/D)
- 4 hex screws 4 mm
- 1 L-shaped 4 mm hex key
- 4 transparent cushions 1 mm thickness
- 4 transparent cushions 1,5 mm thickness
- 1 drilling/cutting template

Finish

- SS-look # 15.23.905
- Alu-finish # 15.23.906
- Chrome plated # 15.23.907

Packing

10 pcs per carton



GLASS CLAMP GLASS/GLASS 180° W/SQUARE CORNERS "BERN"

Application

Suitable for shower glass walls
Glass thickness: 8 - 10 mm
Drilling required

Mounting

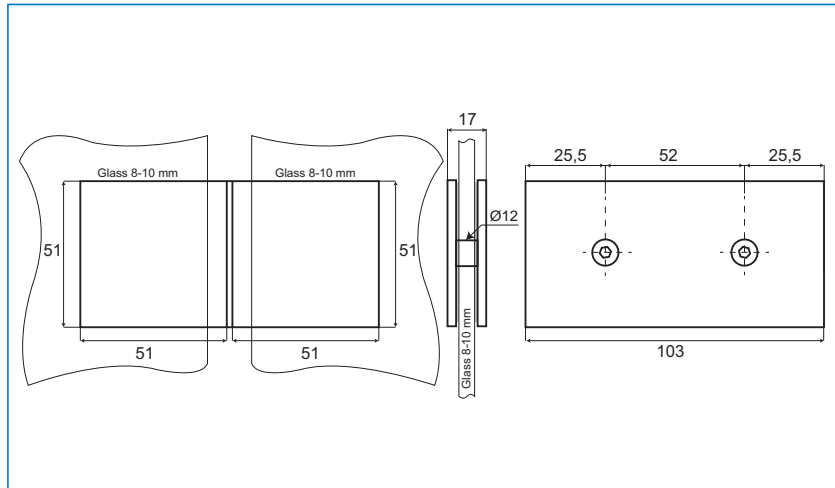
Glass \varnothing 12 mm drilling

Material: Brass

Size: 51 x 51 x 17 mm

Item No.:

Chrome plated # 15.23.695
SS-look # 15.23.696
Alu-finish # 15.23.697



GLASS CLAMP GLASS/GLASS 90° W/SQUARE CORNERS "BERN"

Application

Suitable for shower glass walls
Glass thickness: 8 - 10 mm
Drilling required

Mounting

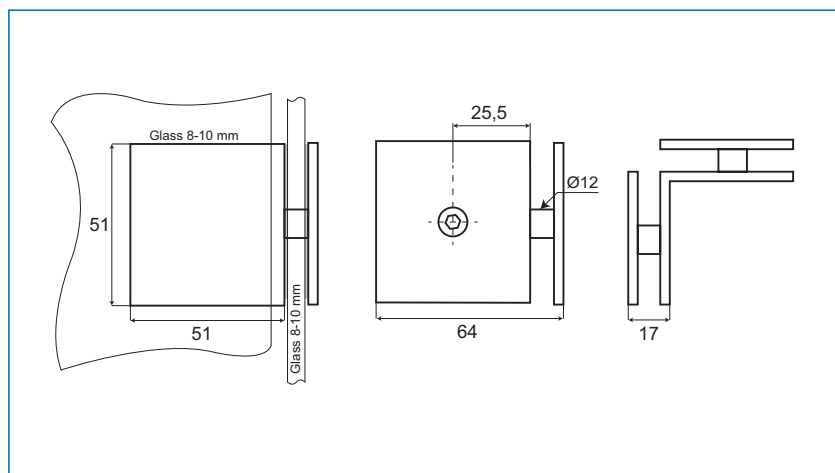
Glass \varnothing 12 mm drilling

Material: Brass

Size: 51 x 51 x 17 mm

Item No.:

Chrome plated # 15.23.690
SS-look # 15.23.691
Alu-finish # 15.23.692



GLASS CLAMP WALL/GLASS 180° W/SQUARE CORNERS "BERN"

- high quality furniture fittings



Application

Suitable for shower glass walls
Glass thickness: 8 - 10 mm
Drilling required

Mounting

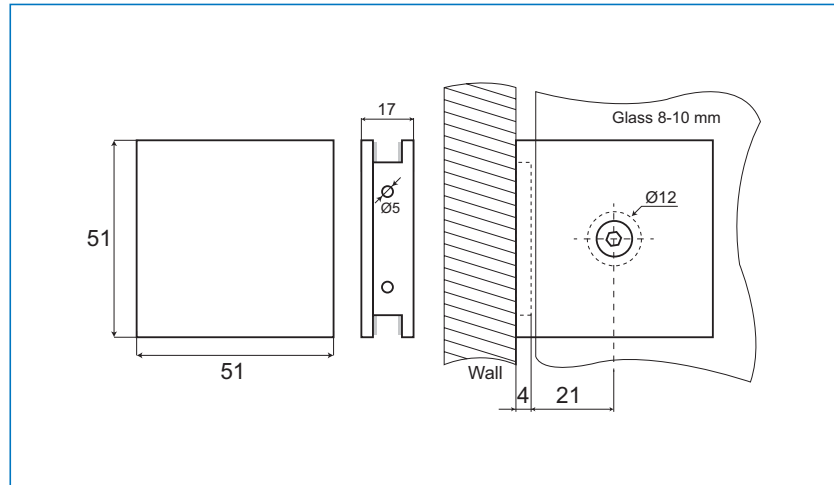
Wall 2 x $\varnothing 5$ mm CSK screw holes
Glass $\varnothing 12$ mm drilling

Material: Brass

Size: 51 x 51 x 17 mm

Item No.:

Chrome plated	# 15.23.706
SS-look	# 15.23.705
Alu-finish	# 15.23.704



GLASS CLAMP WALL/GLASS 90° W/SQUARE CORNERS "BERN"

Application

Suitable for shower glass walls
Glass thickness: 8 - 10 mm
Drilling required

Mounting

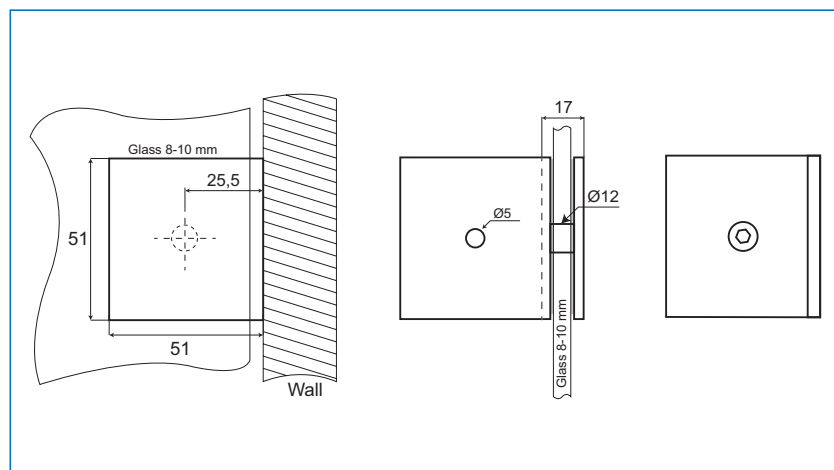
Wall: 1 x $\varnothing 5$ mm CSK screw holes
Glass: $\varnothing 12$ mm drilling

Material: Brass

Size: 51 x 51 x 17 mm

Item No.:

Chrome plated	# 15.23.700
SS-look	# 15.23.701
Alu-finish	# 15.23.702



GLASS CLAMP WALL/GLASS 180° "BERNI" W/SQUARE CORNERS

Application

Suitable for shower glass walls
Drilling required
Glass thickness 8 - 10 mm

Mounting

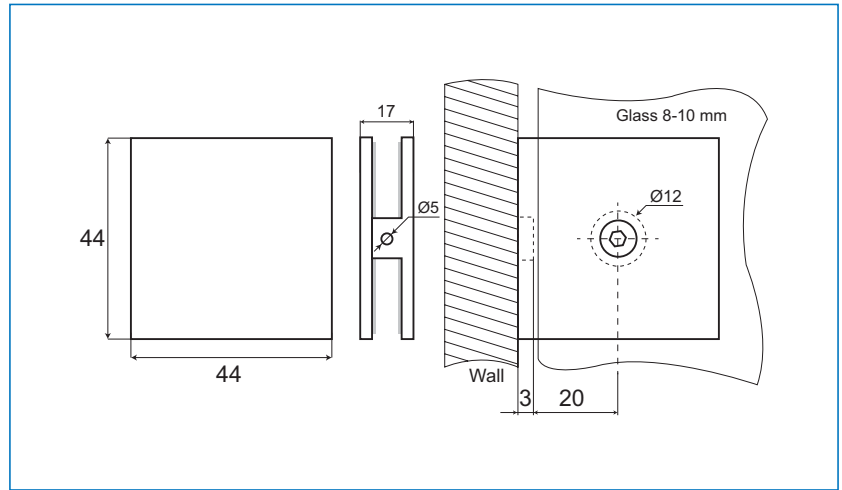
Wall mounted by $\varnothing 5$ mm screw hole
Glass mounted by $\varnothing 12$ mm drilling

Material: Brass

Size: 44 x 44 x 17 mm

Item No.:

Chrome plated # 15.23.650
SS-look # 15.22.651



GLASS CLAMP WALL/GLASS 90° "BERNI" W/SQUARE CORNERS

Application

Suitable for shower glass walls
Drilling required
Glass thickness 8 - 10 mm

Mounting

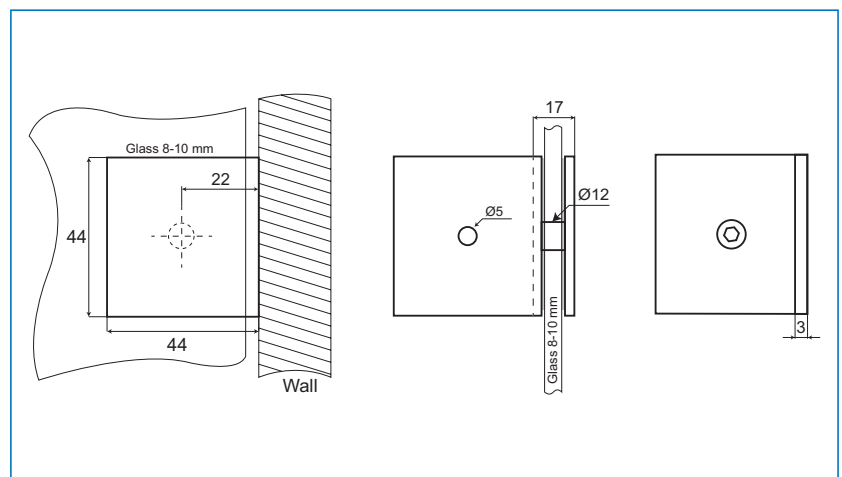
Wall mounted by $\varnothing 5$ mm screw hole
Glass mounted by $\varnothing 12$ mm drilling

Material: Brass

Size: 44 x 44 x 17 mm

Item No.:

Chrome plated # 15.23.655
SS-look # 15.22.656



GLASS CLAMP GLASS/GLASS 90° "BERNI" W/SQUARE CORNERS

- high quality furniture fittings



Application

Suitable for shower glass walls
Drilling required
Glass thickness 8 - 10 mm

Mounting

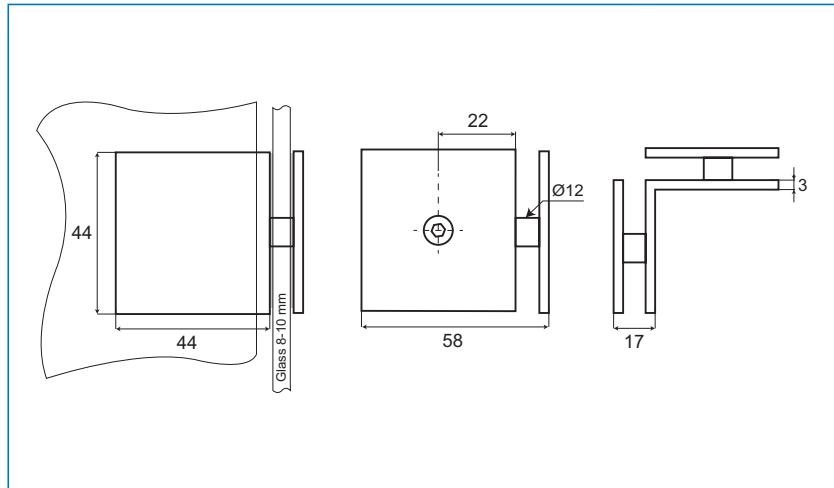
Glass mounted by $\varnothing 12$ mm drilling

Material: Brass

Size: 44 x 44 x 17 mm

Item No.:

Chrome plated # 15.23.660
SS-look # 15.22.661



GLASS CLAMP GLASS/GLASS 180° "BERNI" W/SQUARE CORNERS

Application

Suitable for shower glass walls
Drilling required
Glass thickness 8 - 10 mm

Mounting

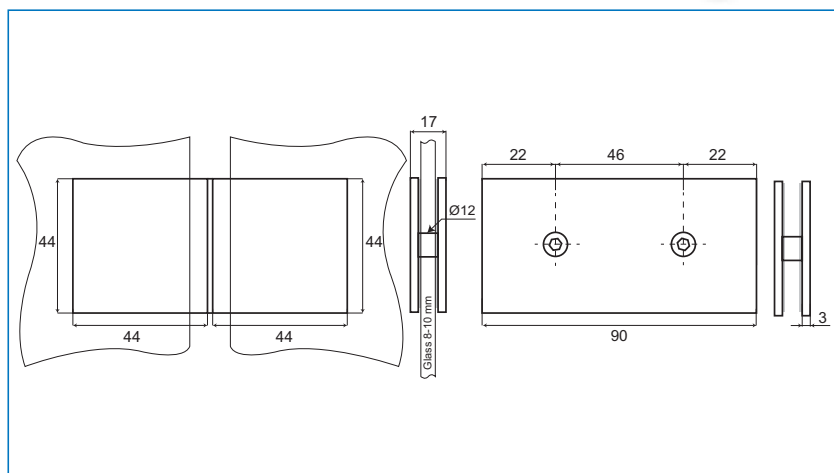
Glass mounted by $\varnothing 12$ mm drilling

Material: Brass

Size: 89 x 44 x 17 mm

Item No.:

Chrome plated # 15.23.665
SS-look # 15.22.666



GLASS CLAMP WALL/GLASS 180° W/CHAMFERED EDGES „LUND“

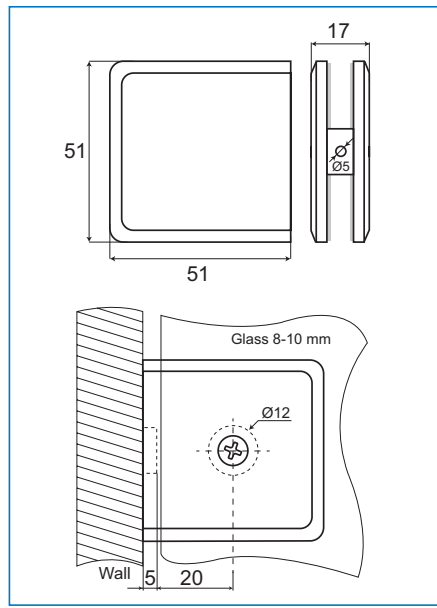
Application
 Suitable for shower glass walls
 Glass thickness: 8 - 10 mm
 Drilling required

Mounting
 Wall: 1 x $\varnothing 5$ mm CSK screw holes
 Glass: $\varnothing 12$ mm drilling

Material: Brass

Size: 51 x 51 x 17 mm

Item No.:
 Chrome plated # 15.23.707
 SS-look # 15.23.708
 Alu-finish # 15.23.709



GLASS CLAMP WALL/GLASS 90° W/CHAMFERED EDGES „LUND“

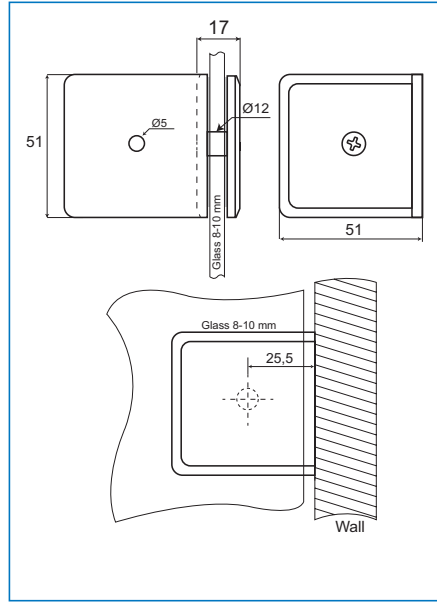
Application
 Suitable for shower glass walls
 Glass thickness: 8 - 10 mm
 Drilling required

Mounting
 Wall: 1 x $\varnothing 5$ mm CSK screw holes
 Glass: $\varnothing 12$ mm drilling

Material: Brass

Size: 51 x 51 x 17 mm

Item No.:
 Chrome plated # 15.23.710
 SS-look # 15.23.711
 Alu-finish # 15.23.712



GLASS CLAMP WALL/GLASS 90° W/ROUNDED CORNERS „HAM“

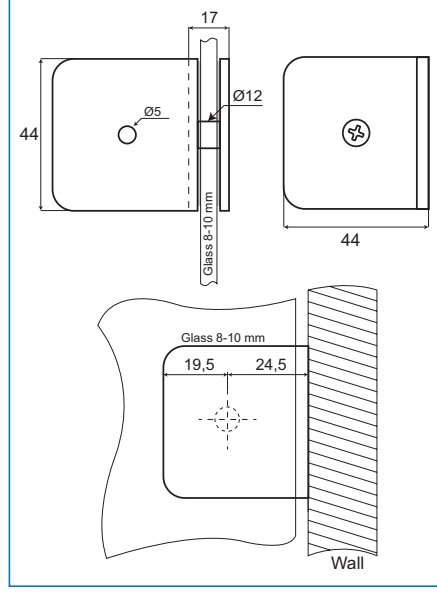
Application
 Suitable for shower glass walls
 Glass thickness: 8-10 mm
 Drilling required

Mounting
 Wall: 1 x $\varnothing 5$ mm CSK screw holes
 Glass: $\varnothing 12$ mm drilling

Material: Brass

Size: 44 x 44 x 17 mm

Item No.:
 Chrome plated # 15.23.750



GLASS CLAMP WALL/GLASS 180° W/ROUNDED CORNERS "HAM"

- high quality furniture fittings



Application

Suitable for shower glass walls
Glass thickness: 8 - 10 mm
Drilling required

Features

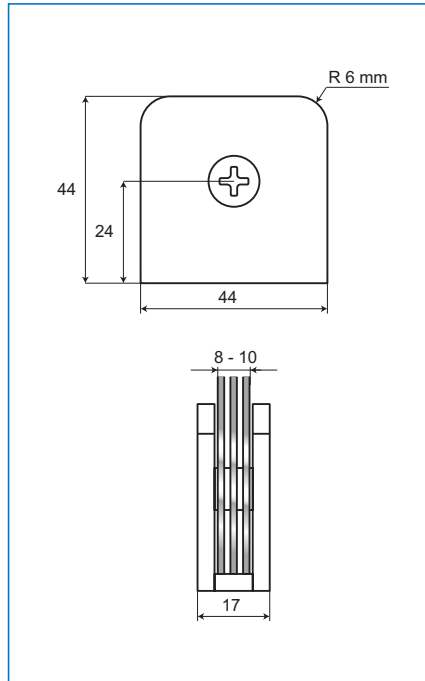
Glass thickness 8 - 10 mm

Material: Brass

Size: 44 x 44 x 17 mm

Item No.:

Chrome plated # 15.23.721
SS-look # 15.23.722



SHOWER HINGE "UP/DOWN" FOR GLASS/GLASS

Application

Suitable for shower doors
Drilling required

Features

Left or right hand version
W/self closing function

Opening: 180 degree but with stop at 90 DG

Max glass width: 800 mm

Glass thickness: 6 - 8 mm

Load capacity: 20 kg

Material

Brass

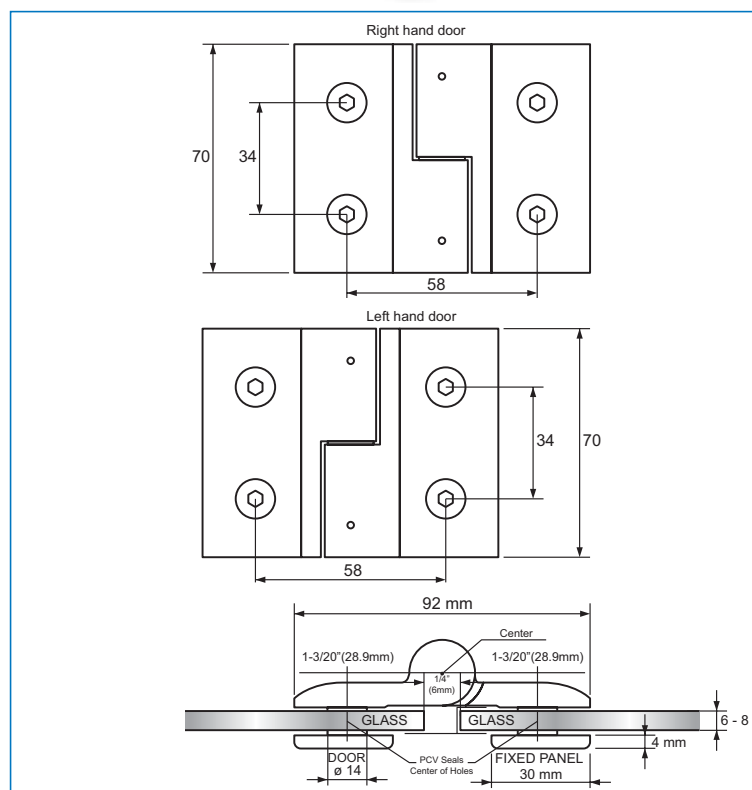
1 hinge consists of

1 hinge 70 x 92 mm (H/W)
4 fixing screws 4 mm hex
1 L-shaped hex key 4 mm
1 L-shaped hex key 2 mm

Finish:

Left hand - Chrome plated # 15.23.100
Left hand - SS-look # 15.23.101
Left hand - Alu finish # 15.23.102

Right hand - Chrome plated # 15.23.105
Right hand - SS-look # 15.23.106
Right hand - Alu finish # 15.23.107



ALUMINIUM LIFT HINGE

Application

Suitable for shower doors
With 3 mm lift-up & 0° adjustment
function

Opening: 110°

Max glass size: 2100 x 800 mm

Load capacity: 23 kg

Glass thickness: 6 mm

Material

Aluminium

Models

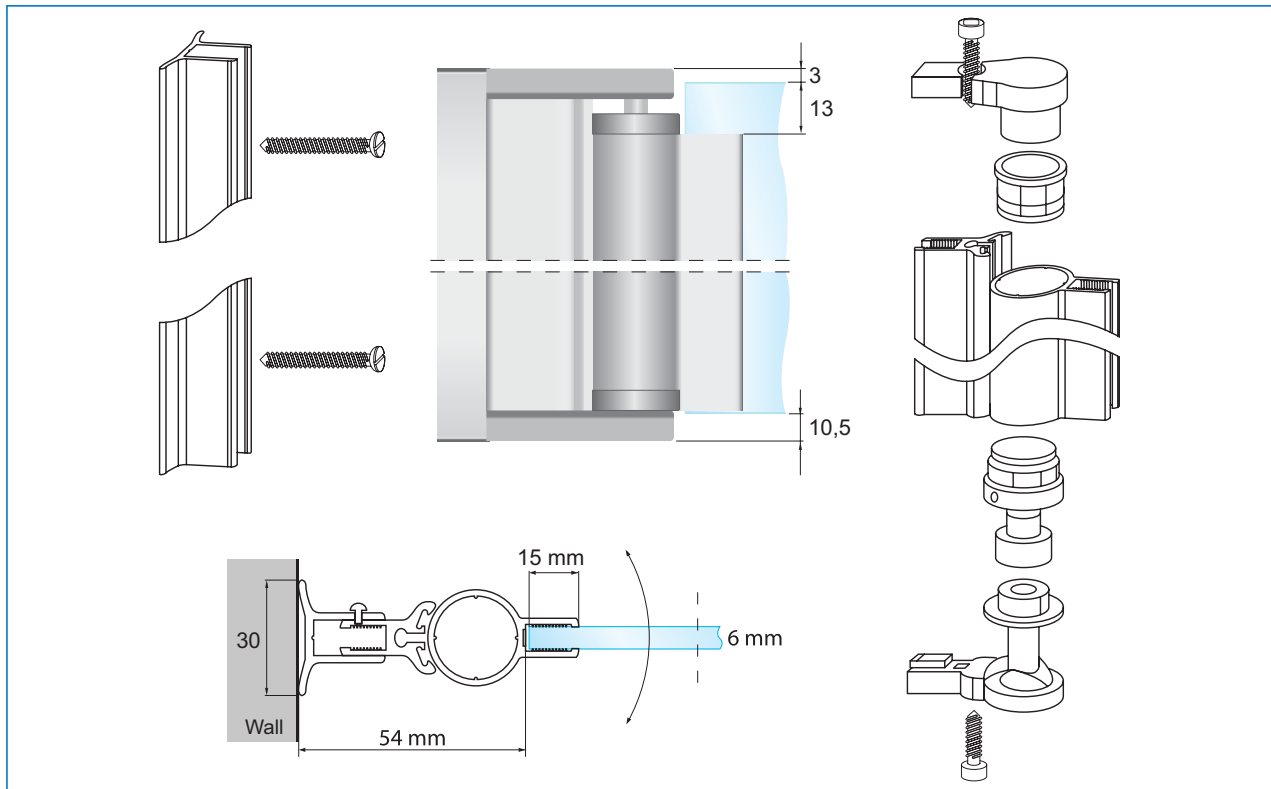
Finish

Item No.:

1,5 meters	anodized	# 15.23.005
1,5 meters	chrome pl.	# 15.23.006
1,5 meters	white paint.	# 15.23.007
1,9 meters	anodized	# 15.23.000
1,9 meters	chrome pl.	# 15.23.001
1,9 meters	white paint.	# 15.23.002
2,1 meters	chrome pl.	# 15.23.001-9

Packing

1 complete assembled set per carton

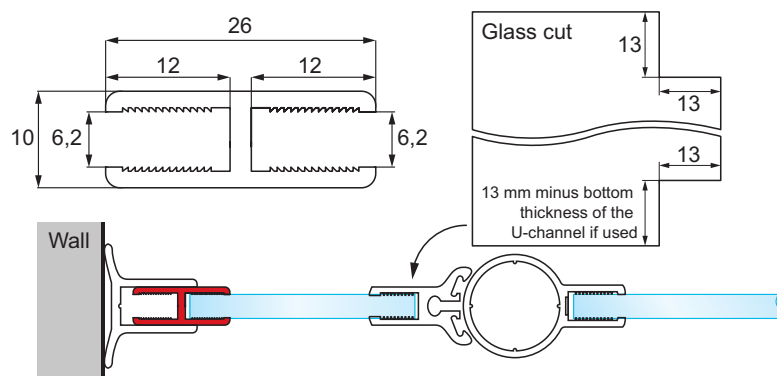


H-PROFILE FOR WALL - GLASS - GLASS CONSTRUCTION

Glass cutting on the hinge side of the construction is needed

Item No.:

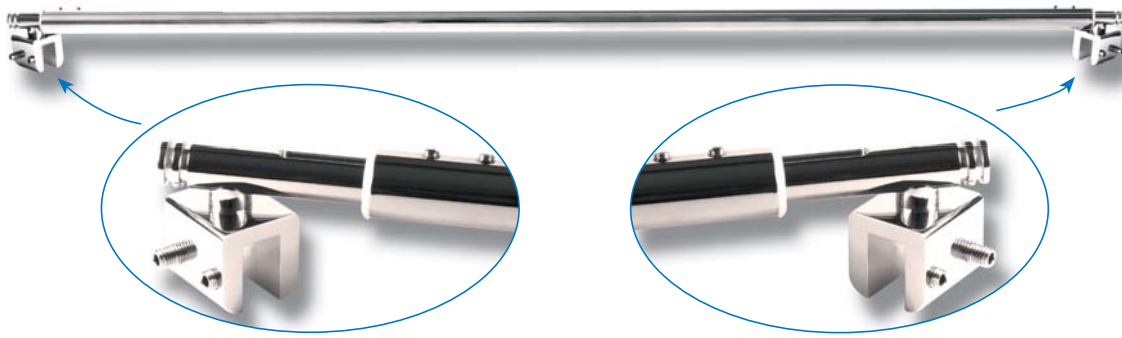
1,9 meters chrome pl. # 15.23.004



SHOWER SUPPORT BAR SOLID BRASS - GLASS TO GLASS

- high quality furniture fittings

SISO
DENMARK



Application

Suitable for connecting glass to wall.
No glass drilling required.
Extendable from 1050 - 1350 mm
Glass thickness 8 - 10 mm

Material

Brass

1 support bar consists of:

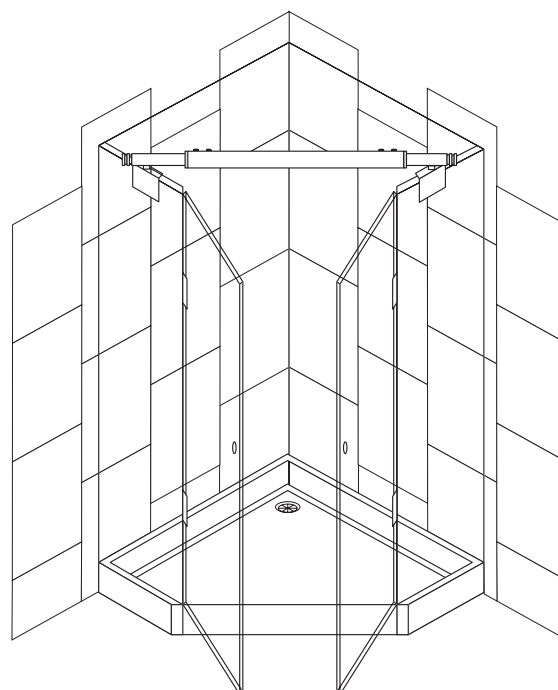
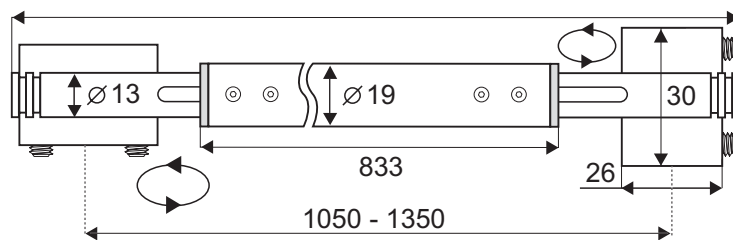
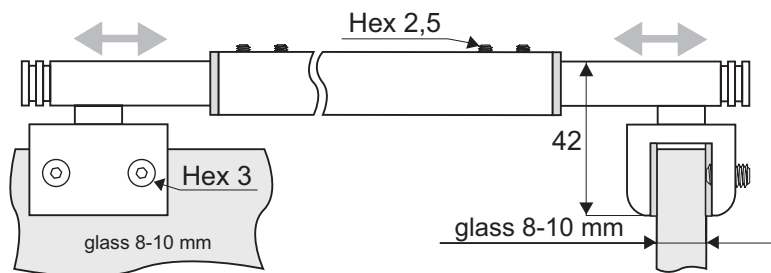
- 1 bar $\varnothing 19 \times 1050$ to 1350 mm
- w/2 tightening screws 2,5 mm hex
- 1 L-shaped hex key 2,5 mm
- 2 glass mounting bracket 30 X 26 mm
- w/2 tightening screws 3 mm hex
- 1 L-shaped hex key 3 mm
- 4 transparent cushions 1 mm thickness

Finish

Chrome plated # 15.24.021

Packing

10 pcs per carton



SHOWER SUPPORT BAR SOLID BRASS - WALL TO GLASS



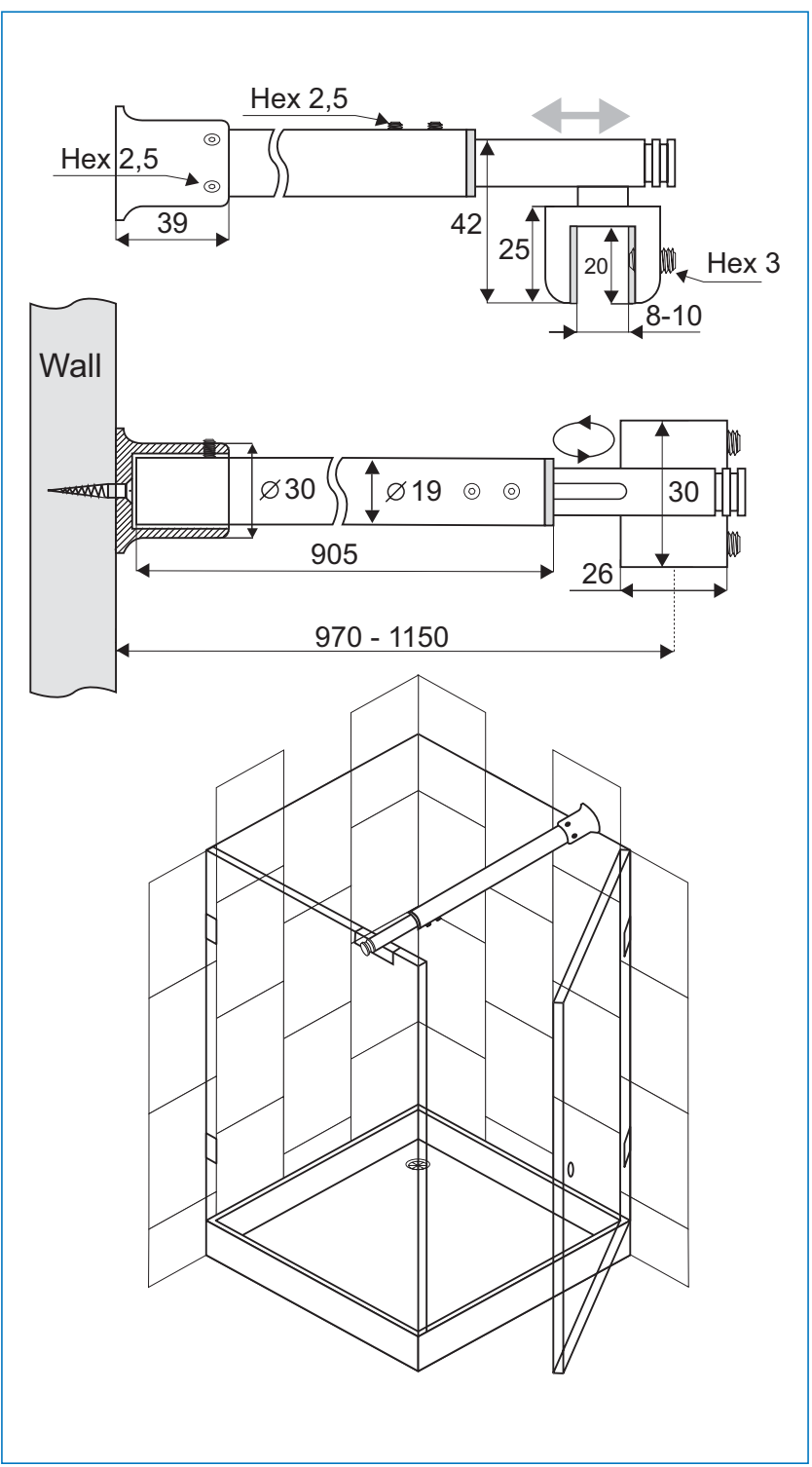
Application
 Suitable for connecting glass to wall.
 No glass drilling required.
 Extendable from 970 - 1150 mm.
 Glass thickness 8 - 10 mm.

Material
 Brass

1 support bar consists of:
 1 bar $\varnothing 19 \times 970 - 1150$ mm
 w/2 tightening screws 2,5 mm hex
 1 wall mounting rosette $\varnothing 37$ mm
 w/2 tightening screws 2,5 mm hex
 1 L-shaped hex key 2,5 mm
 1 wall plug
 1 wall screw
 1 glass mounting bracket 30 X 26 mm
 w/2 tightening screws 3 mm hex
 1 L-shaped hex key 3 mm
 2 transparent cushions 1 mm thickness

Finish
 Chrome plated # 15.24.020

Packing
 10 pcs per carton



SHOWER SUPPORT BAR WALL TO GLASS 45° ANGLE

- high quality furniture fittings



Application

Suitable for connecting glass to wall.
No glass drilling required.
Extendable from 240 - 400 mm
Glass thickness 8 - 10 mm

Material

Brass

1 support bar consists of:

- 1 bar $\varnothing 19 \times 240$ to 400 mm
- w/2 tightening screws 2,5 mm hex
- 1 wall mounting bracket 45° angle
- w/1 tightening screws 2,5 mm hex
- 1 L-shaped hex key 2,5 mm
- 1 wall screw
- 1 wall plug
- 1 glass mounting bracket 30 x 25 mm
- w/2 tightening screws 4 mm hex
- 1 L-shaped hex key 4 mm
- 1 transparent cushions 1 mm thick

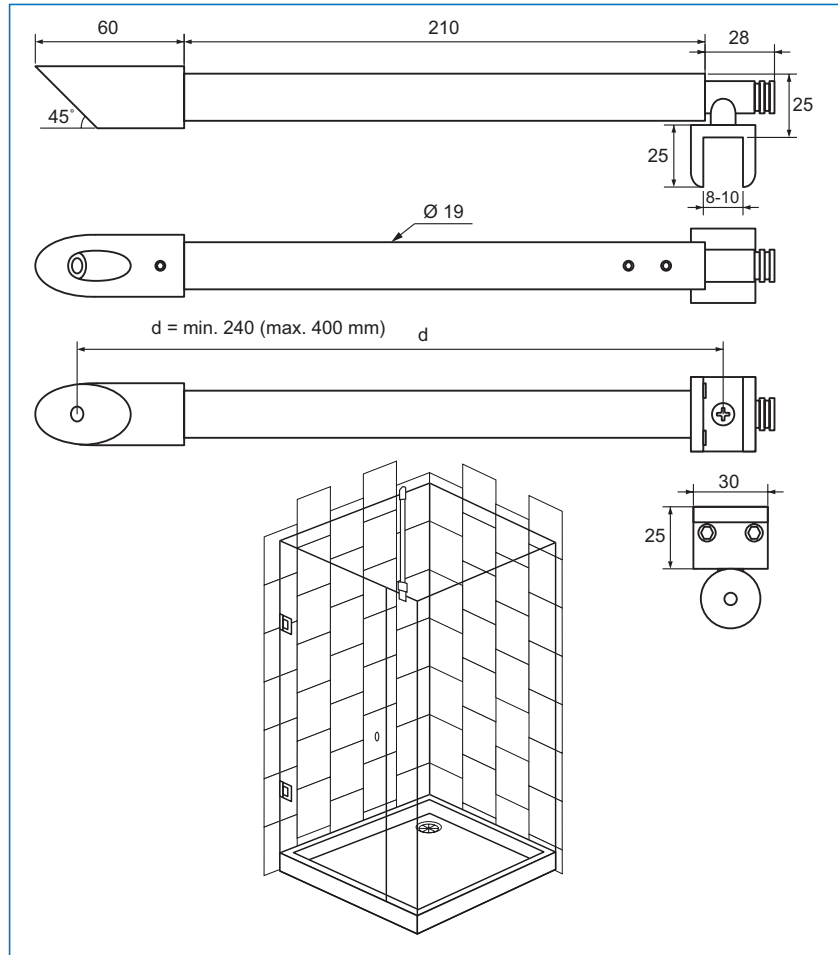
Finish

Chrome plated

Item No: # 15.24.025

Packing

20 pcs per carton



BRASS TUBES F/SHOWERS

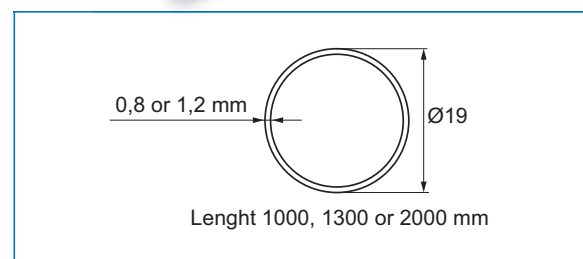
Material: Brass – Chrome Plated (CLP), SS-Look or Alu Finish

Size: $\varnothing 19 \times 1000$, 1300 or 2000 mm.

Wall thickness: 0,8 or 1,2 mm

Item No.:

$\varnothing 19 \times 1000 \times 0,8$ mm - CPL	# 15.24.119-0
$\varnothing 19 \times 1000 \times 1,2$ mm - CPL	# 15.24.120-2
$\varnothing 19 \times 1000 \times 1,2$ mm - SS- Look	# 15.24.120-9
$\varnothing 19 \times 1300 \times 0,8$ mm - CPL	# 15.24.121-2
$\varnothing 19 \times 1300 \times 1,2$ mm - CPL	# 15.24.121-1
$\varnothing 19 \times 1300 \times 1,2$ mm - SS- Look	# 15.24.121-9
$\varnothing 19 \times 1300 \times 1,2$ mm - Alu Finish	# 15.24.122-0
$\varnothing 19 \times 2000 \times 0,8$ mm - CPL	# 15.24.126-0



BAR TO GLASS BRACKET W/OPEN BAR HOLE

Application

Connection fitting for shower bars
No drilling required
For $\varnothing 19$ mm bar
Glass thickness 8 - 10 mm

Material

Brass

Finish

Chrome plated # 15.24.103

Inclusive

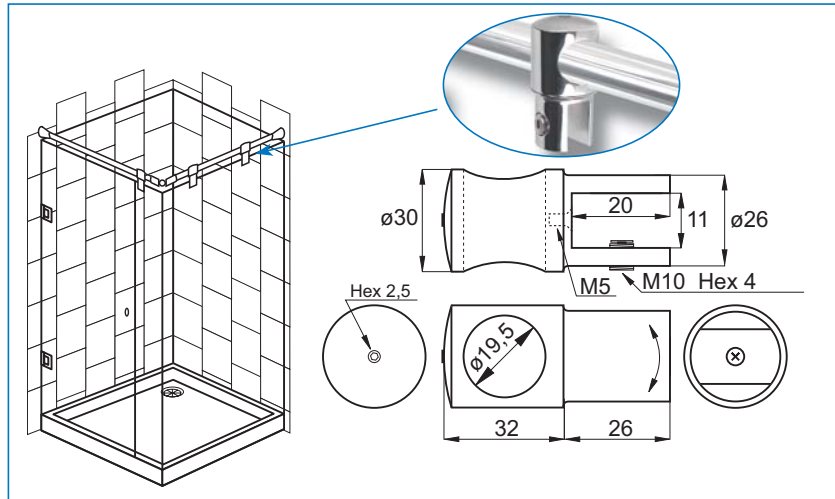
1 hex key 2,5 mm
1 transparent cushion 1 mm thickness

Packing

60 pcs per carton

Optional

Shower bar brass, CPL
 $\varnothing 19 \times 1000$ mm # 15.24.120
 $\varnothing 19 \times 1300$ mm # 15.24.121



BAR TO GLASS END BRACKET W/CLOSED BAR HOLE

Application

Connection fitting for shower bars
No drilling required
For $\varnothing 19$ mm bar
Glass thickness 8 - 10 mm

Material

Brass

Finish

Chrome plated # 15.24.102

Inclusive

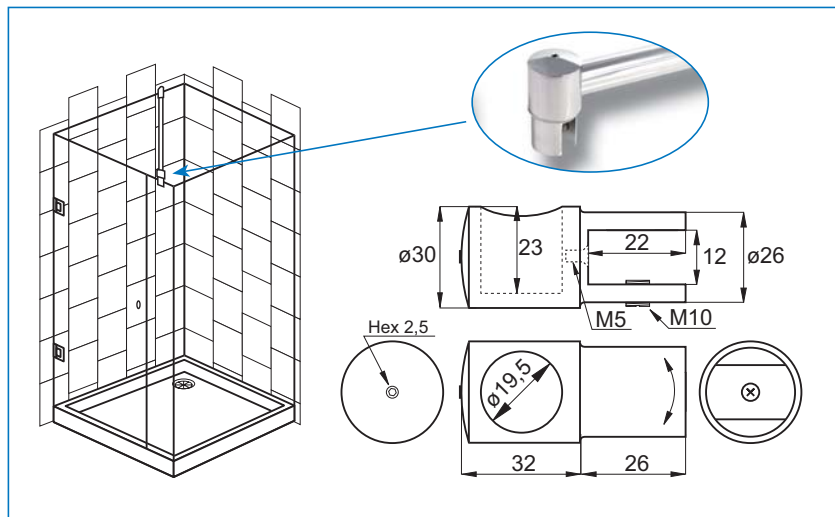
1 hex key 2,5 mm
1 transparent cushion 1 mm thickness

Packing

60 pcs per carton

Optional

Shower bar brass, CPL
 $\varnothing 19 \times 1000$ mm # 15.24.120
 $\varnothing 19 \times 1300$ mm # 15.24.121



BAR TO WALL BRACKET W/45° ANGLE

- high quality furniture fittings



Application

Connection fitting for shower bars
No drilling required
For $\varnothing 19$ mm bar

Material

Brass

Finish

Chrome plated # 15.24.101

Inclusive

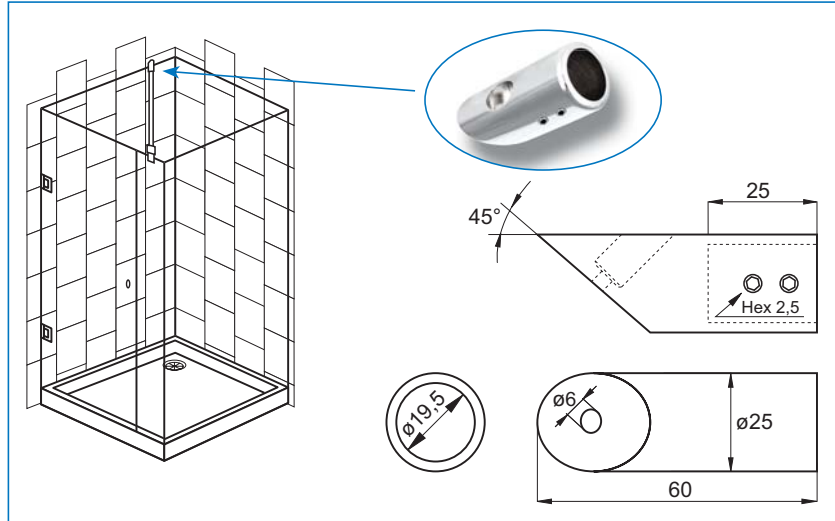
1 hex key 2,5 mm
1 wall plug
1 wall screw

Packing

60 pcs per carton

Optional

Shower bar brass, CPL
 $\varnothing 19 \times 1000$ mm # 15.24.120
 $\varnothing 19 \times 1300$ mm # 15.24.121



BAR TO WALL BRACKET W/FLAT BACK

Application

Connection fitting for shower bars
With adjustable wall fixing washer
No drilling required
For $\varnothing 19$ mm bar

Material

Brass

Finish

Chrome plated # 15.24.100

Inclusive

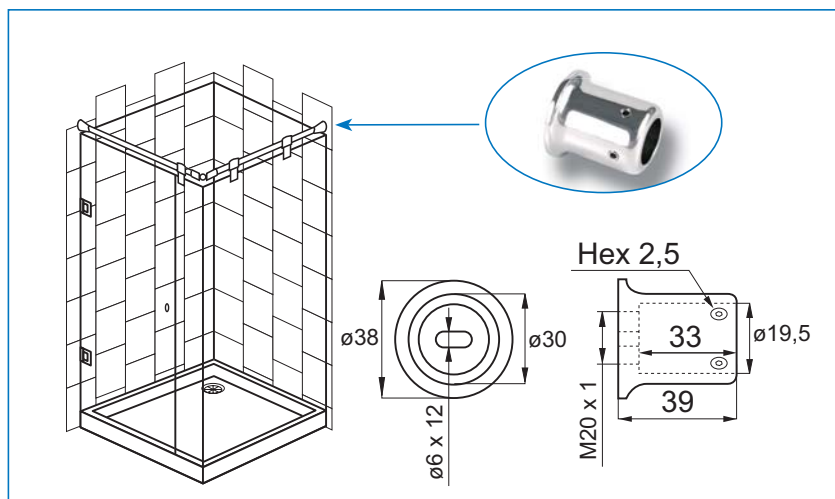
1 hex key 2,5 mm
1 wall plug
1 wall screw

Packing

60 pcs per carton

Optional

Shower bar brass, CPL
 $\varnothing 19 \times 1000$ mm # 15.24.120
 $\varnothing 19 \times 1300$ mm # 15.24.121



BAR TO BAR BRACKET T-SHAPED F/3 BAR CONNECTION

Application
 Connection fitting for shower bars
 No drilling required
 For $\varnothing 19$ mm bar
 90° connection

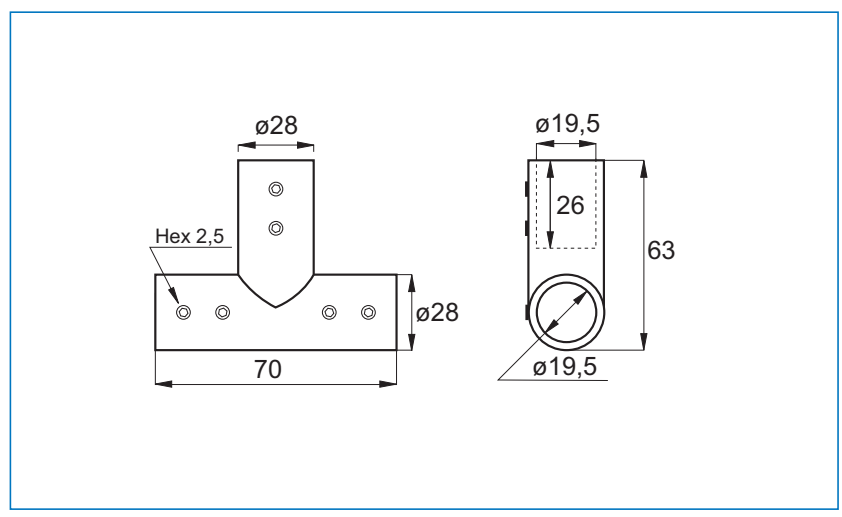
Material
 Brass

Finish
 Chrome plated # 15.24.105

Inclusive
 1 hex key 2,5 mm

Packing
 10 pcs per carton

Optional
 Shower bar brass, CPL
 $\varnothing 19 \times 1000$ mm # 15.24.120
 $\varnothing 19 \times 1300$ mm # 15.24.121



BAR TO BAR BRACKET W/SWIVEL LINKAGE

Application
 Connection fitting for shower bars
 No drilling required
 For $\varnothing 19$ mm bar
 Adjusted to any degree

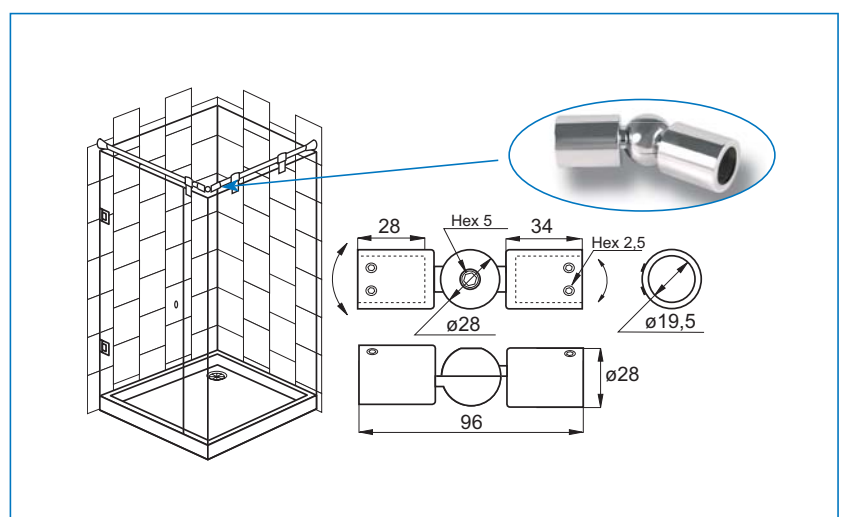
Material
 Brass

Finish
 Chrome plated # 15.24.104

Inclusive
 1 hex key 2,5 mm
 1 hex key 5 mm

Packing
 20 pcs per carton

Optional
 Shower bar brass, CPL
 $\varnothing 19 \times 1000$ mm # 15.24.120
 $\varnothing 19 \times 1300$ mm # 15.24.121



BAR TO BAR CONNECTOR 90°

- high quality furniture fittings

Application

Connection fitting for shower bars
No drilling required
90° connection
F/Ø19mm tubes

Material

Brass

Finish

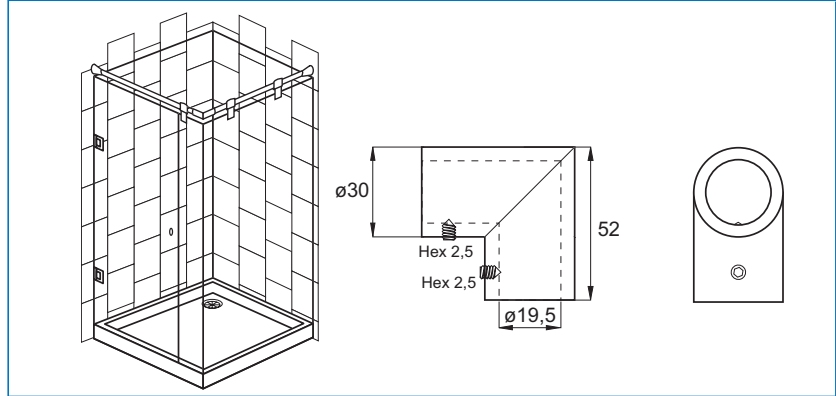
Chrome plated # 15.24.107

Packing

40 pcs per carton

Optional

Shower bar brass, CPL
Ø19 x 1000 mm #15.24.120
Ø19 x 1300 mm #15.24.121



GLASS TO BAR CEILING CONNECTOR

Application

Connection fitting for shower bars
No drilling required
F/glass thickness 8 – 10 mm
F/Ø19mm tubes

Material

Brass

Finish

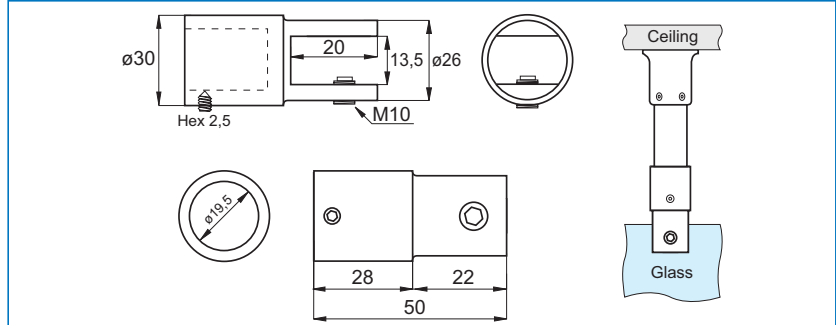
Chrome plated # 15.24.108

Packing

40 pcs per carton

Optional

Shower bar brass, CPL
Ø19 x 1000 mm #15.24.120
Ø19 x 1300 mm #15.24.121



BAR TO GLASS WALL BRACKET

Application

Connection fitting for shower bars
Drilling required – Ø10 mm
F/glass thickness 8 – 10 mm
F/Ø19 mm tubes

Material

Brass

Finish

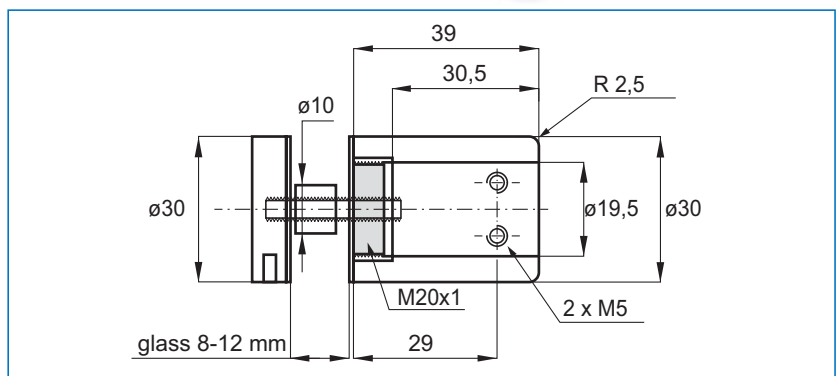
Chrome plated # 15.24.110
Alu finish # 15.24.111
SS-Look # 15.24.112

Packing

40 pcs per carton

Optional

Shower bar brass, CPL
Ø19 x 1000 mm # 15.24.120
Ø19 x 1300 mm # 15.24.121



BAR TO WALL BRACKET F/SQUARE TUBE W/FLAT BACK

Application

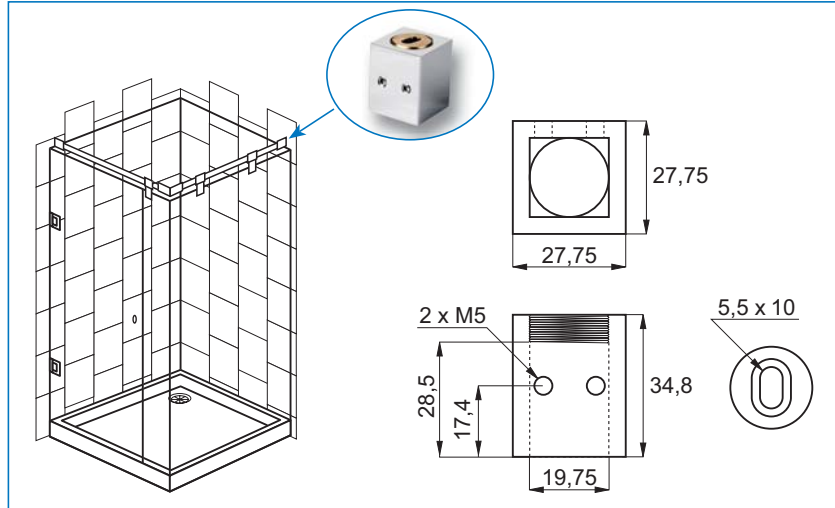
Connection fitting for square shower bars
With adjustable wall fixing washer
No drilling required
For 19 x 19 mm bar

Material

Brass

Finish

Chrome plated # 15.24.300-0
SS-Look # 15.24.300-5



BAR TO WALL BRACKET F/SQUARE TUBE W/45° ANGLE

Application

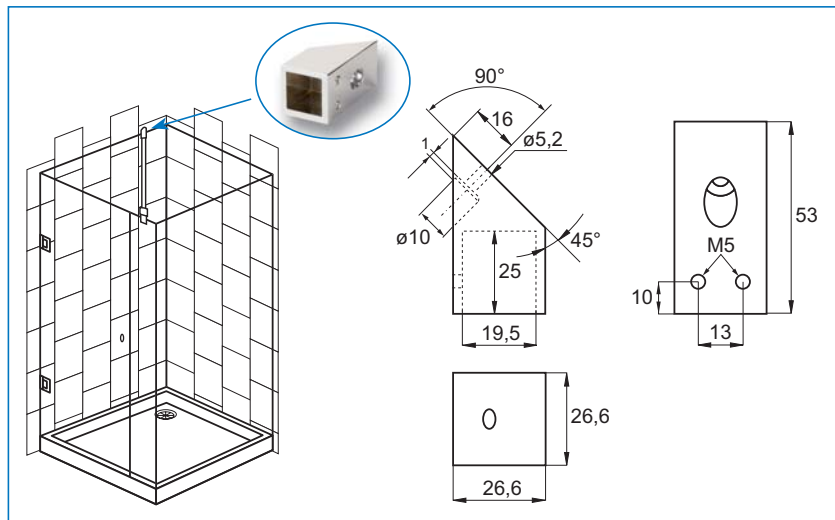
Connection fitting for square shower bars
No drilling required
For 19 x 19 mm bar

Material

Brass

Finish

Chrome plated # 15.24.304-0
SS-Look # 15.24.304-5



BAR TO GLASS END BRACKET F/SQUARE TUBE W/CLOSED BAR HOLE

- high quality furniture fittings



Application

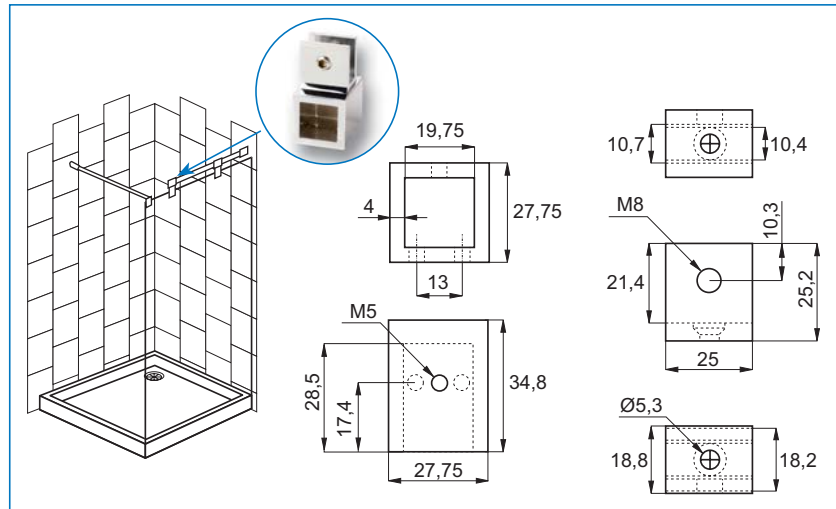
Connection fitting for square shower bars
No drilling required
For 19 x 19 mm bar
For glass thickness 8 - 10 mm

Material

Brass

Finish

Chrome plated # 15.24.301-1
SS-Look # 15.24.301-5



BAR TO GLASS BRACKET F/SQUARE TUBE W/OPEN BAR HOLE

Application

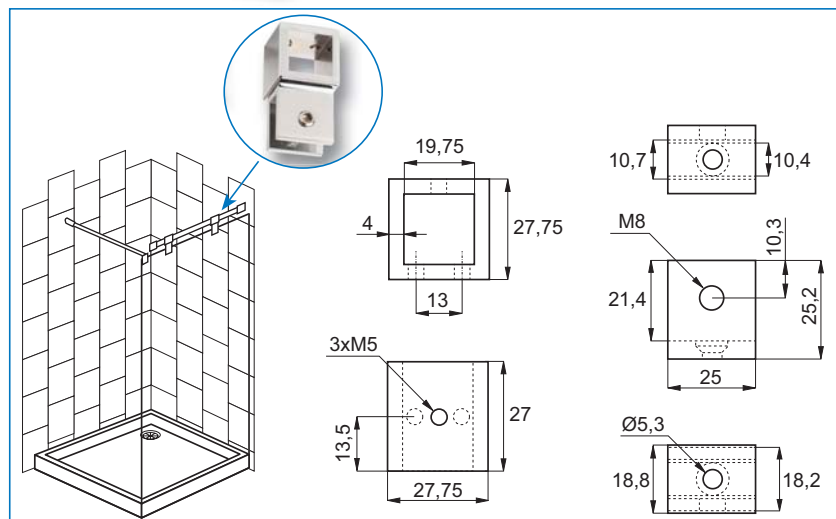
Connection fitting for square shower bars
No drilling required
For 19 x 19 mm bar
For glass thickness 8 - 10 mm

Material

Brass

Finish

Chrome plated # 15.24.305-0
SS-Look # 15.24.305-5



GLASS TO BAR CEILING CONNECTOR F/SQUARE TUBE

Application

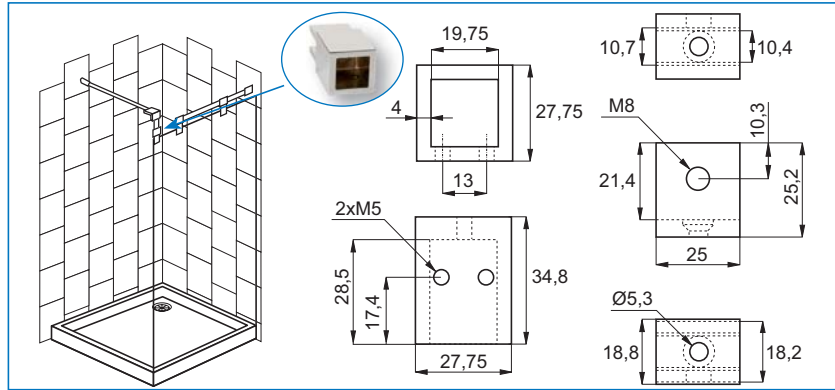
Connection fitting for square shower bars
No drilling required
For 19 x 19 mm bar
For glass thickness 8 - 10 mm

Material

Brass

Finish

Chrome plated # 15.24.306-0
SS-Look # 15.24.306-5



BAR TO BAR CONNECTOR 90° F/SQUARE TUBE

Application

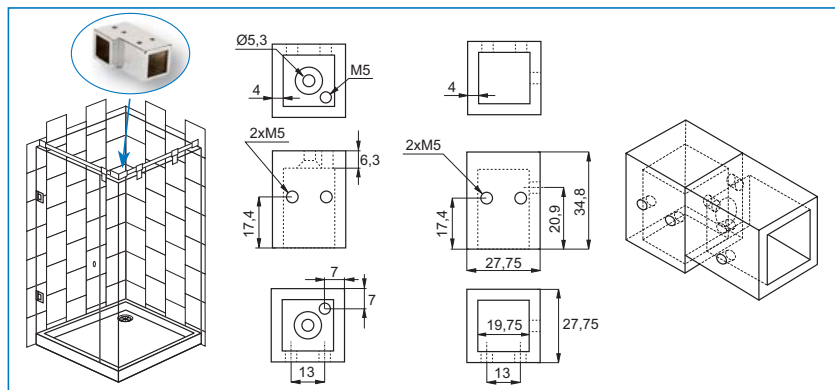
Connection fitting for square shower bars
No drilling required
For 19 x 19 mm bar
90° connection

Material

Brass

Finish

Chrome plated # 15.24.307-0
SS-Look # 15.24.307-5



SQUARE TUBES F/SHOWERS IN SS-304

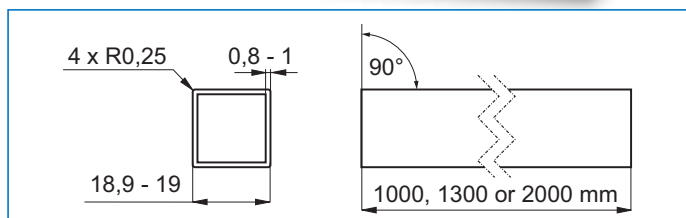
Material: SS-304 - Polished or Brushed

Size: 19 x 19 x 1000, 1300 or 2000 mm

Wall thickness: 0,8 mm

Item No.:

- 19 x 19 x 1000 x 0,8 mm - Polished # 15.24.302-0
- 19 x 19 x 1300 x 0,8 mm - Polished # 15.24.302-1
- 19 x 19 x 2000 x 0,8 mm - Polished # 15.24.302-2
- 19 x 19 x 1000 x 0,8 mm - Brushed # 15.24.302-5
- 19 x 19 x 1300 x 0,8 mm - Brushed # 15.24.302-6
- 19 x 19 x 2000 x 0,8 mm - Brushed # 15.24.302-7



FRAMELESS SHOWER DOOR HEADER SYSTEM "SPUTNIK"

- high quality furniture fittings



Application

The Sputnik Header Kit system provides additional support & a level of safety while securing glass panels not reaching the ceiling.

May be used on 8 - 12 mm glass.

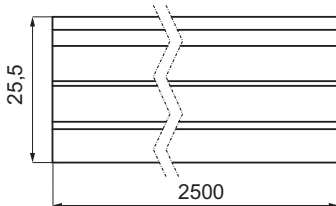
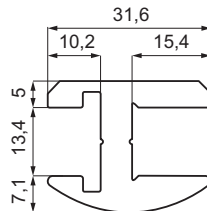
For 8 & 10 mm glass PVC seal is needed.

May be used together with pivot hinge Lodz. Adaptor is needed.



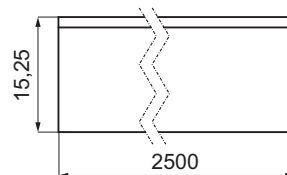
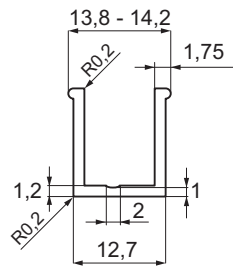
ALU. HEADER PROFILE

Material: Aluminum - polished
Length: 2500 mm
Item No.: # 28.25.315



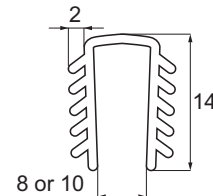
COVER INSERT PROFILE

Material: Aluminum - polished
Length: 2500 mm
Item No.: # 28.25.316



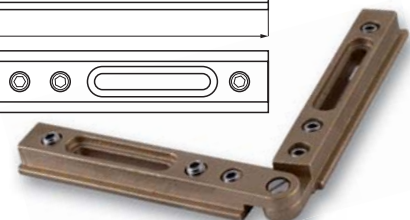
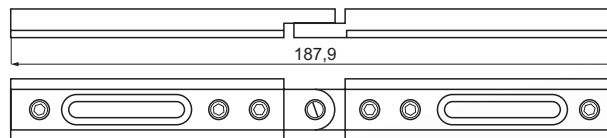
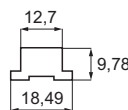
PVC SEAL FOR HEADER PROFILE

Material: PVC - clear
Length: 2500 mm
Item No.:
8 mm glass # 15.22.340
10 mm glass # 15.22.341



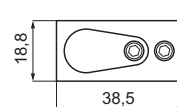
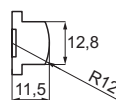
ADJUSTABLE CORNER BRACKET

Material: Brass - natural
Item No.: # 28.25.320



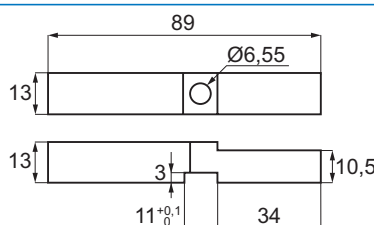
WALL MOUNTING BRACKET

Material: Brass - natural
Item No.: # 28.25.321



PIVOT HINGE ADAPTER BLOCK

Material: Brass - chrome plated
Item No.: # 28.25.322



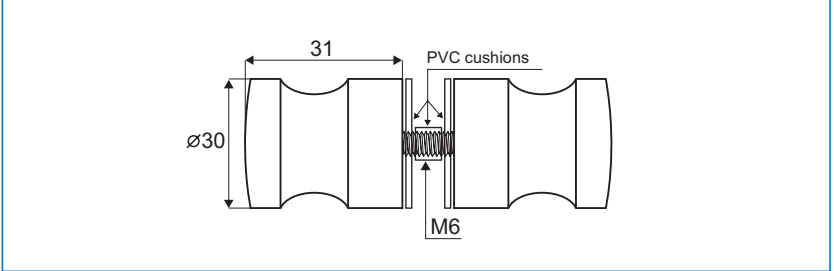
DOOR KNOB „WIEN“

Material
Brass

Size: $\varnothing 30 \times 31$ mm
Bore hole: $\varnothing 10$ mm
Glass thickness: 6 - 12 mm

SS-look # 15.24.046
Chrome plated # 15.24.045
Alu-finish # 15.24.047

Packing
60 pairs per carton



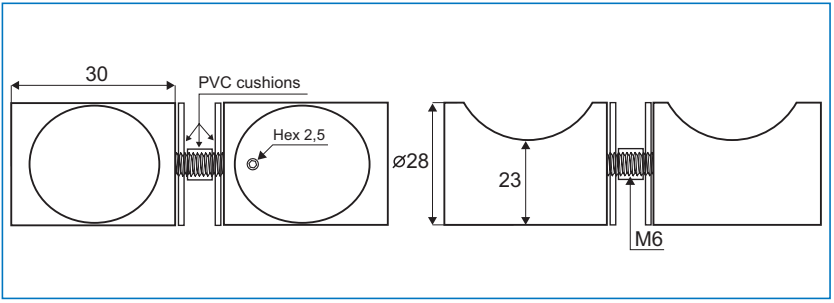
DOOR KNOB „CORK“

Material
Brass

Size: $\varnothing 28 \times 30$ mm
Bore hole: $\varnothing 10$ mm
Glass thickness: 6 - 12 mm

Chrome plated # 15.24.065

Packing
60 pairs per carton



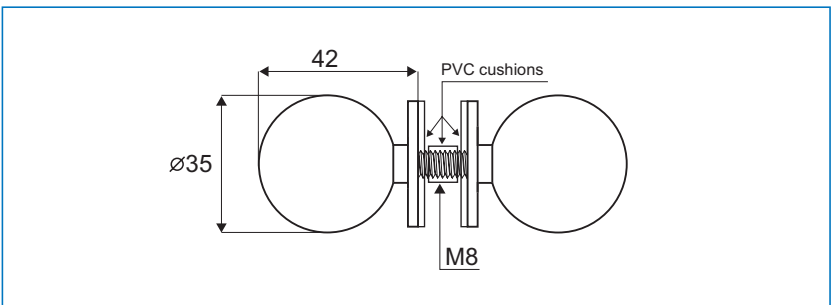
DOOR KNOB „PARIS“

Material
Brass

Size: $\varnothing 35 \times 42$ mm
Bore hole: $\varnothing 12$ mm
Glass thickness: 8 - 12 mm

SS-look # 15.24.081
Chrome plated # 15.24.080
Alu-finish # 15.24.082

Packing
30 pairs per carton



DOOR KNOB „OSLO“

- high quality furniture fittings

Material
Brass

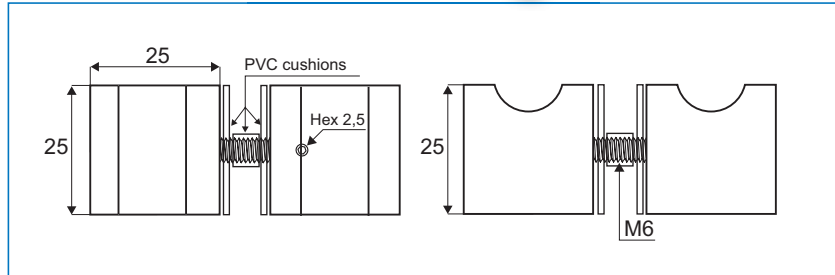
Size: 25 x 25 mm
Bore hole: \varnothing 10 mm
Glass thickness: 6 - 12 mm

SS-look # 15.24.035
Chrome plated # 15.24.036
Alu-finish # 15.24.037

Packing
60 pairs per carton



Not for sale in Germany



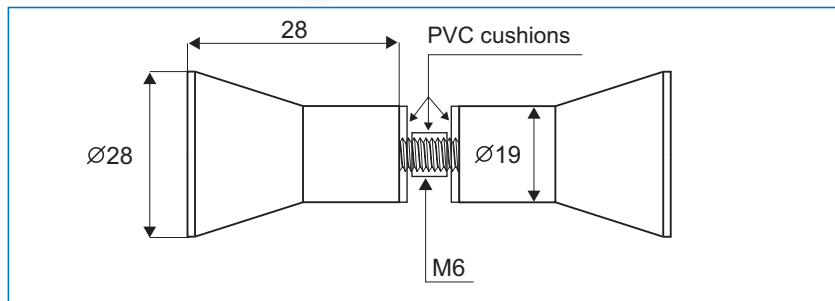
DOOR KNOB „PORTO“

Material
Brass

Size: \varnothing 28 x 28 mm
Bore hole: \varnothing 10 mm
Glass thickness: 6 - 12 mm

SS-look # 15.24.041
Chrome plated # 15.24.040
Alu-finish # 15.24.042

Packing
60 pairs per carton



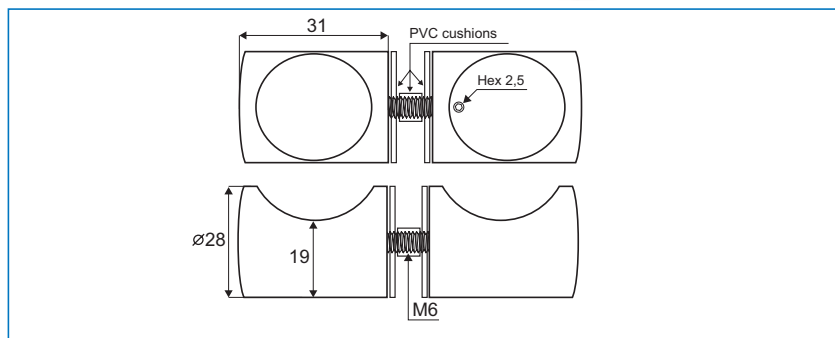
DOOR KNOB „HAAG“

Material
Brass

Size: \varnothing 28 x 31 mm
Bore hole: \varnothing 10 mm
Glass thickness: 6 - 12 mm

SS-look # 15.24.030
Chrome plated # 15.24.031
Alu-finish # 15.24.032

Packing
60 pairs per carton



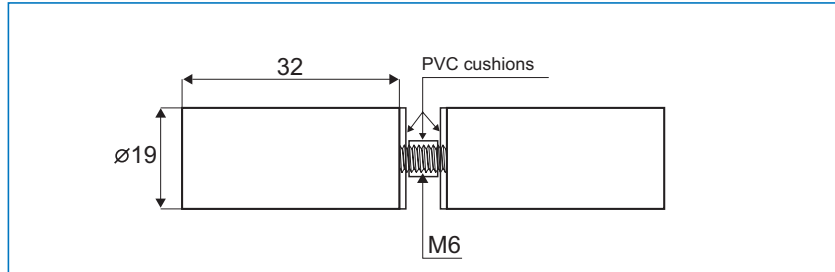
DOOR KNOB „LYON“

Material
Brass

Size: $\varnothing 19 \times 32$ mm
Bore hole: $\varnothing 10$ mm
Glass thickness: 6 - 12 mm

SS-look # 15.24.086
Chrome plated # 15.24.085
Alu-finish # 15.24.087

Packing
60 pairs per carton



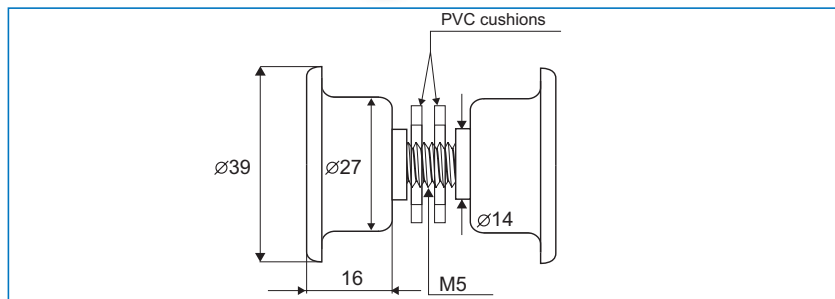
DOOR KNOB „KIEL“

Material
Brass

Size: $\varnothing 39 \times 16$ mm
Bore hole: $\varnothing 14$ mm
Glass thickness: 6 - 12 mm

Chrome plated # 15.24.090

Packing
60 pairs per carton



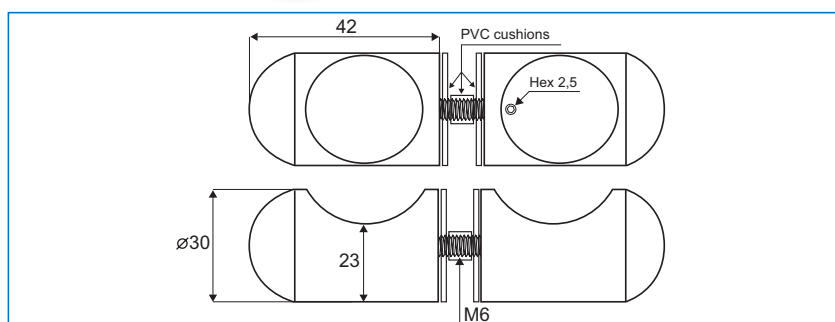
DOOR KNOB „EUTIN“

Material
Brass

Size: $\varnothing 30 \times 42$ mm
Bore hole: $\varnothing 10$ mm
Glass thickness: 6 - 12 mm

Chrome plated # 15.24.095

Packing
60 pairs per carton



DOOR BAR HANDLE LOCKS SS-304 F/GLASS DOORS

- high quality furniture fittings



Application

For locking of glass doors by use of key or turn knob. Suitable for 8-12 mm glass

Specifications

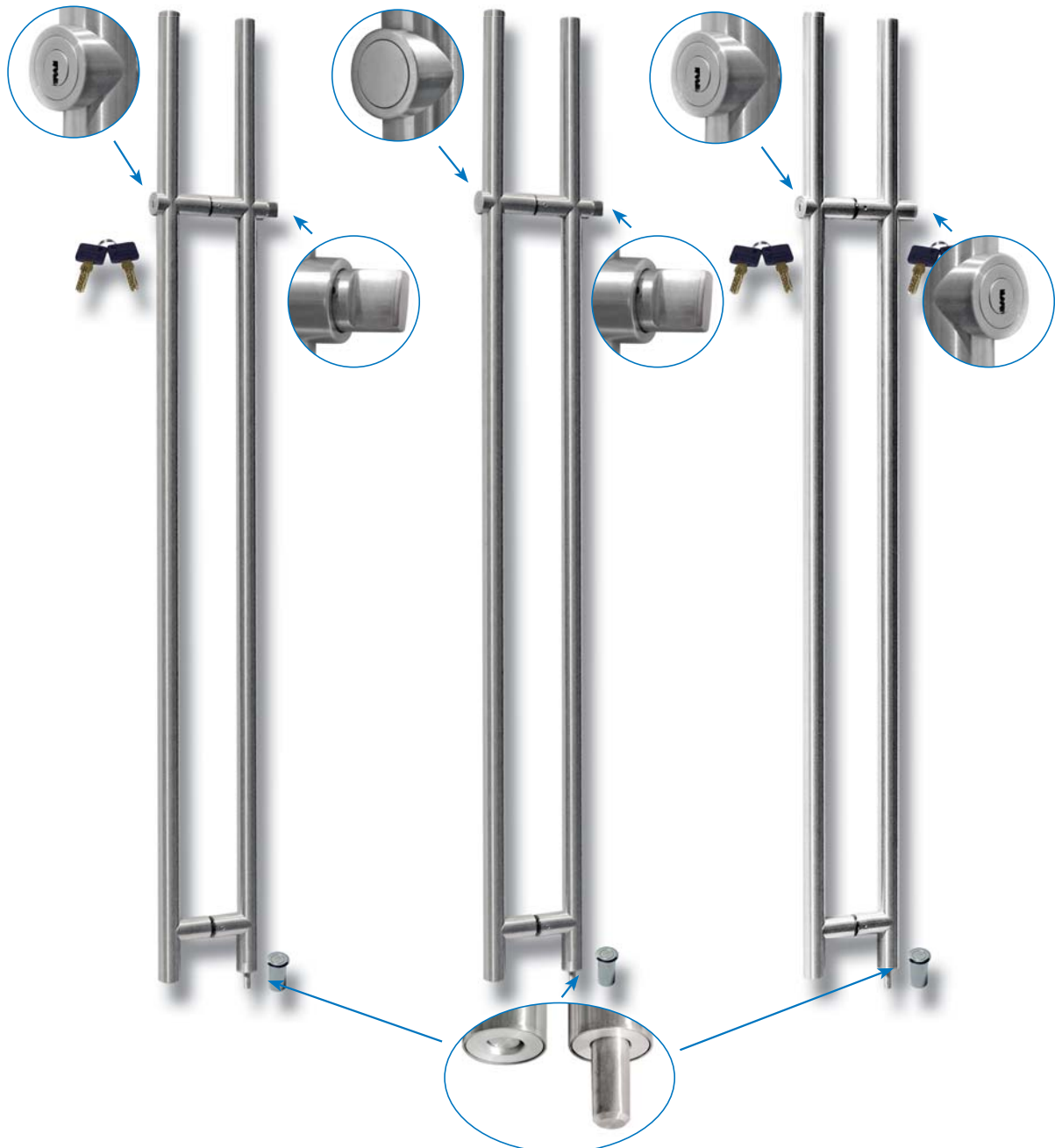
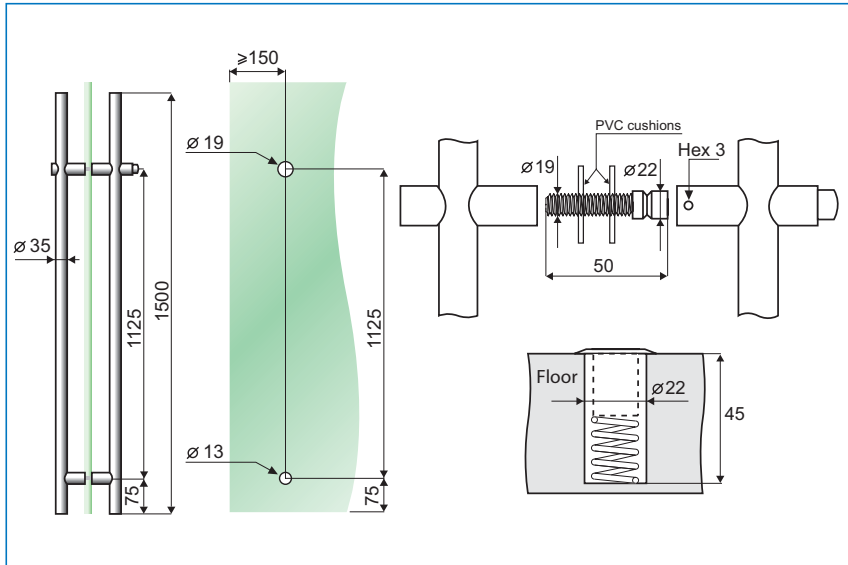
Bar handle \varnothing 35 x 1500 mm
Incl. floor socket w/spring dust cover
Cylinder with 5 SISO metal keys or turn knob
5000 KD on cylinder version

Material

Stainless steel SS-304 - brushed

Item No:

W/cylinder & knob # 14.60.600
W/knob on one side # 14.60.610
W/cylinder on 2 sides # 14.60.615



GLASS DOOR BAR HANDLE SS-304 „ODER“

Application:

For glass doors, drilling required

Material:

Hollow stainless steel tube 304, brushed

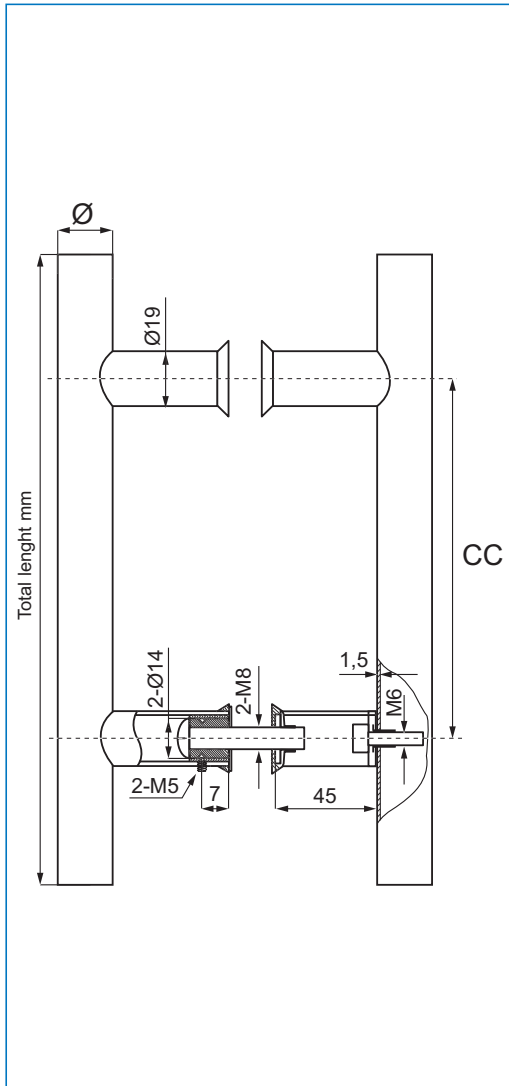
Bore hole: $\varnothing 12$ mm

Glass thickness: 8-12 mm

Item No:

$\varnothing 25 \times 300$ mm, cc:200	# 17.87.000
$\varnothing 25 \times 400$ mm, cc:300	# 17.87.006
$\varnothing 25 \times 500$ mm, cc:350	# 17.87.003
$\varnothing 25 \times 710$ mm, cc:520	# 17.87.007
$\varnothing 25 \times 1000$ mm, cc:600	# 17.87.030
$\varnothing 25 \times 1230$ mm, cc:520-520	# 17.87.008
$\varnothing 25 \times 1750$ mm, cc:520-520-520	# 17.87.009
$\varnothing 32 \times 450$ mm, cc:300	# 17.87.010
$\varnothing 32 \times 550$ mm, cc:400	# 17.87.016
$\varnothing 32 \times 600$ mm, cc:400	# 17.87.020

Inclusive transparent tube & washers



DOOR D-HANDLE SS-304 „MAIN“

Application

For glass doors
Drilling required

Material

Hollow stainless steel tube 304

Bore hole: $\varnothing 12$ mm

Glass thickness: 8 - 12 mm

$\varnothing 25 \times 330$ mm, c.c.: 305 mm, H: 74 mm

Polished # 17.87.090

Brushed # 17.87.091

$\varnothing 25 \times 465$ mm, c.c.: 450 mm, H: 74 mm

Polished # 17.87.094

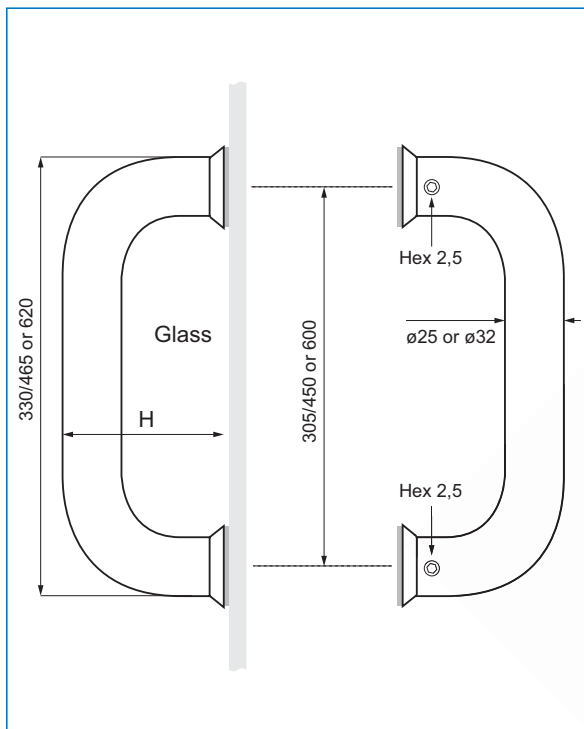
Brushed # 17.87.095

$\varnothing 32 \times 632$ mm, c.c.: 600 mm, H: 82 mm

Polished # 17.87.101

Brushed # 17.87.102

Inclusive transparent tube & washers



DOOR HANDLE SS-304 "MOSEL"

- high quality furniture fittings

SISO
DENMARK

Application:

For glass doors. Drilling required

Material:

Hollow stainless steel tube 304

Bore hole: \varnothing 12 mm

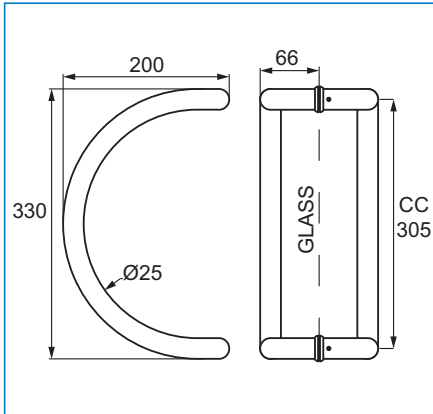
Glass thickness: 8 -12 mm

\varnothing 25 x 330 mm c.c.: 305 mm

Polished # 17.87.105

Brushed # 17.87.106

Inclusive transparent tube & washers



DOOR HANDLE SS-304 "VOLGA"

Application:

For glass doors. Drilling required

Material:

Hollow stainless steel tube 304

Bore hole: \varnothing 12 mm

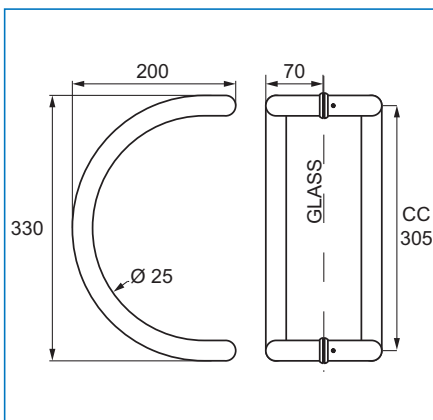
Glass thickness: 8 -12 mm

\varnothing 25 x 330 mm c.c.: 305 mm

Polished # 17.87.109

Brushed # 17.87.110

Inclusive transparent tube & washers



DOOR HANDLE SS-304 "PO"

Application:

For glass doors. Drilling required

Material:

Hollow stainless steel tube 304

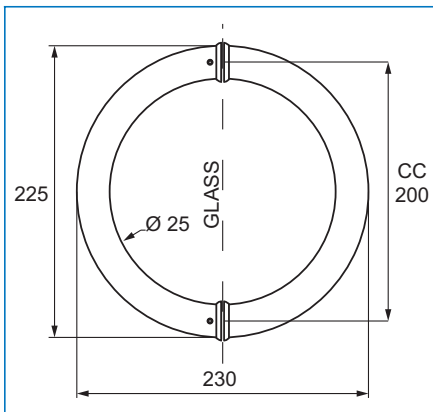
Bore hole: \varnothing 12 mm

Glass thickness: 8 -12 mm

\varnothing 25 x 225 mm c.c.: 200 mm

Polished # 17.87.119

Inclusive transparent tube & washers



DOOR HANDLE "MAAS"

Application:

For glass doors. Drilling required

Material:

Hollow stainless steel tube SS304, brushed

Bore hole: \varnothing 12 mm

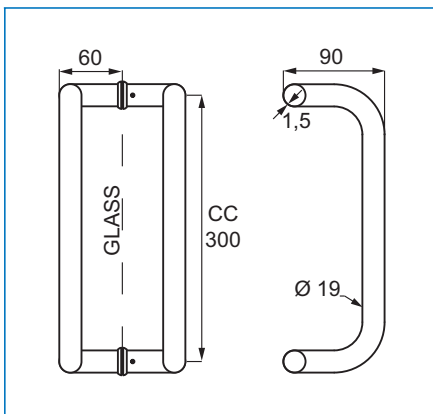
Glass thickness: 8 -12 mm

Item No.

\varnothing 19 x 325 mm,

cc: 300mm

17.87.058



DOOR HANDLE SS-304 "RHINE"

Application:
For glass doors. Drilling required

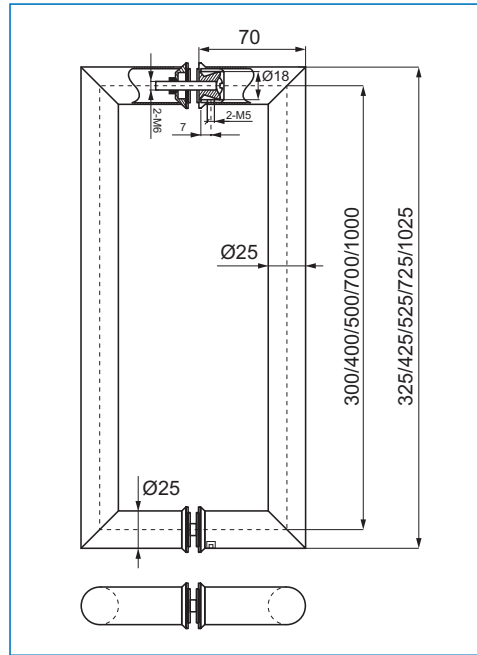
Material:
Hollow stainless steel tube SS304, brushed

Bore hole: $\varnothing 8$ mm

Glass thickness: 8 -12 mm

Item No.:

- $\varnothing 25 \times 325$ mm, cc: 300 mm # 17.87.035
- $\varnothing 25 \times 425$ mm, cc: 400 mm # 17.87.036
- $\varnothing 25 \times 525$ mm, cc: 500 mm # 17.87.037
- $\varnothing 25 \times 725$ mm, cc: 700 mm # 17.87.038
- $\varnothing 25 \times 1025$ mm, cc: 1000 mm # 17.87.039



DOOR HANDLE SS-304 "ELBE"

Application:
For glass doors. Drilling required.
Only to be pulled/pushed from one side.

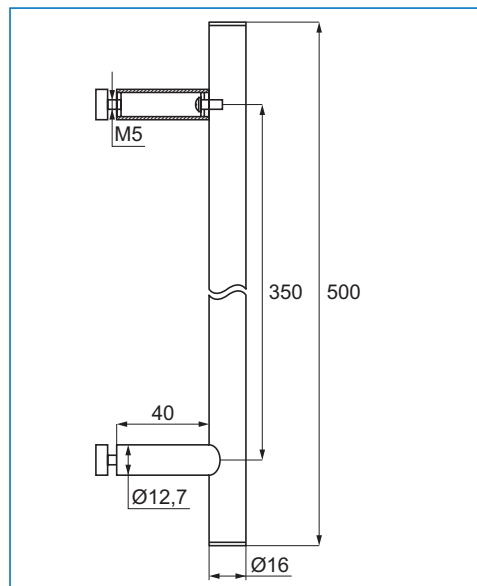
Material:
Hollow stainless steel tube SS304, polished

Bore hole: $\varnothing 8$ mm

Glass thickness: 6 -12 mm

Item No.:

- $\varnothing 16 \times 500$ mm, cc: 350 mm # 17.87.050



DOOR HANDLE SS-304 "THAMES"

Application:
For glass doors. Drilling required.

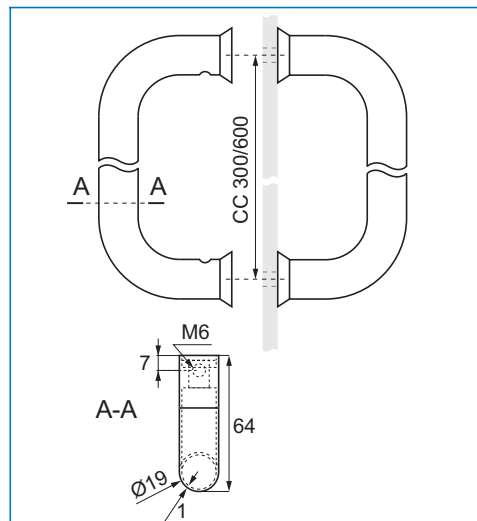
Material:
Hollow stainless steel tube SS304, brushed

Bore hole: $\varnothing 8$ mm

Glass thickness: 8 -12 mm

Item No.:

- $\varnothing 19 \times 320$ mm, cc: 300 mm # 17.87.055
- $\varnothing 19 \times 620$ mm, cc: 600 mm # 17.87.057



PVC SEALS FOR SHOWER DOORS

6 - 12 MM GLASS

- high quality furniture fittings



Glass to Floor S-5701

6 mm	2,5 meter	15.22.260
8 mm	2,5 meter	15.22.261
10 mm	2,5 meter	15.22.262
12 mm	2,5 meter	15.22.263

Glass to Floor S-5702

6 mm	2,5 meter	15.22.265
8 mm	2,5 meter	15.22.266
10 mm	2,5 meter	15.22.267
12 mm	2,5 meter	15.22.268

Glass to Glass S-5703

135°

6 mm glass A - 9,6 mm
8 mm glass A - 10,6 mm
10 mm glass A - 13,3 mm
12 mm glass A - 14,0 mm

6 mm	2,5 meter	15.22.270
8 mm	2,5 meter	15.22.271
10 mm	2,5 meter	15.22.272
12 mm	2,5 meter	15.22.273

Glass to Glass S-5704

90°

6 mm glass: A - 6 mm
8 mm glass: A - 8 mm
10 mm glass: A - 10 mm
12 mm glass: A - 11 mm

6 mm	2,5 meter	15.22.275
8 mm	2,5 meter	15.22.276
10 mm	2,5 meter	15.22.277
12 mm	2,5 meter	15.22.278

Glass to Glass S-5705

180°

6 mm	2,5 meter	15.22.280
8 mm	2,5 meter	15.22.281
10 mm	2,5 meter	15.22.282
12 mm	2,5 meter	15.22.283

Glass to Floor S-5714

6 mm	2,5 meter	15.22.320
8 mm	2,5 meter	15.22.321
10 mm	2,5 meter	15.22.322
12 mm	2,5 meter	15.22.323

Glass to Glass S-5706

180°

Glass:	A	B
6 mm	8,5 mm	11,0 mm
8 mm	8,0 mm	12,0 mm
10 mm	10,0 mm	12,5 mm
12 mm	11,5 mm	13,0 mm

6 mm	2,5 meter	15.22.285
8 mm	2,5 meter	15.22.286
10 mm	2,5 meter	15.22.287
12 mm	2,5 meter	15.22.288

Glass to Floor S-5707

6 mm	2,5 meter	15.22.290
8 mm	2,5 meter	15.22.291
10 mm	2,5 meter	15.22.292
12 mm	2,5 meter	15.22.293

Glass to Floor S-5708

6 mm	2,5 meter	15.22.295
8 mm	2,5 meter	15.22.296
10 mm	2,5 meter	15.22.297
12 mm	2,5 meter	15.22.298

Glass to Floor S-5715

6 mm	2,5 meter	15.22.324
8 mm	2,5 meter	15.22.325
10 mm	2,5 meter	15.22.326
12 mm	2,5 meter	15.22.327

Glass to Floor S-5709

6 mm	2,5 meter	15.22.300
8 mm	2,5 meter	15.22.301
10 mm	2,5 meter	15.22.302
12 mm	2,5 meter	15.22.303

Glass to Glass S-5711

180° w/magnet

6 mm	2,5 meter	15.22.305
8 mm	2,5 meter	15.22.306
10 mm	2,5 meter	15.22.307
12 mm	2,5 meter	15.22.308

Glass to Glass S-5712

135° w/magnet

6 mm	2,5 meter	15.22.310
8 mm	2,5 meter	15.22.311
10 mm	2,5 meter	15.22.312
12 mm	2,5 meter	15.22.313

Glass to Glass S-5713

90° w/magnet

6 mm	2,5 meter	15.22.315
8 mm	2,5 meter	15.22.316
10 mm	2,5 meter	15.22.317
12 mm	2,5 meter	15.22.318

PVC SEALS W/ADHESIVE TAPE 8 - 12 MM

Glass to Floor ADH01 - Clear

8 - 12 mm 2,5 meter 15.22.100

Glass to Floor ADH02 - Clear

8 - 12 mm 2,5 meter 15.22.110

Glass to Floor ADH03 - Clear

8 - 12 mm 2,5 meter 15.22.120

Glass to Floor ADH04 - Frosted

8 - 12 mm 2,5 meter 15.22.130

Glass to Floor ADH05 - Frosted

8 - 12 mm 2,5 meter 15.22.140

Glass to Glass ADH06 - W/magnet - 90° - Frosted

8 - 12 mm 2,5 meter 15.22.150

Glass to Glass ADH07 - W/magnet - 180° - Frosted

8 - 12 mm 2,5 meter 15.22.160

Features:

To be used together in showers with PVC seals

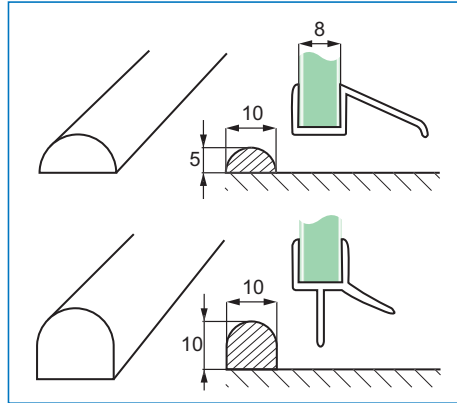
Material: Transparent acrylic

Size:

5 x 10 x 2500 mm
10 x 10 x 2500 mm

Item No.:

5 mm height # 15.22.400
10 mm height # 15.22.401



ALUMINIUM U-CHANNELS FOR GLASS

Description:

U-channel for 6, 8, 10 or 12 mm glass

Material: Aluminium

Size (W/H/T):

F/6 mm glass (8,2 x 12 x 6,2 mm)
F/8 mm glass (10,2 x 12 x 8 mm) or (13 x 19 x 8,4 mm)
F/10 mm glass (14,2 x 19 x 10,2 mm)
F/12 mm glass (16,2 x 19 x 12,2 mm)

Item No.:

F/6 mm glass, mirror chrome plated, 2,3 meters	# 15.22.499
F/6 mm glass, polished aluminium, 2,5 meters	# 15.22.500
F/6 mm glass, brushed aluminium, 2,5 meters	# 15.22.501
F/8 mm glass, mirror CPL, 2,3 mtr. (10,2 x 12 x 8,2 mm)	# 15.22.504-1
F/8 mm glass, mirror CPL, 2,65 mtr. (13 x 19 x 8,4 mm)	# 15.22.504-5
F/8 mm glass, brushed aluminium, 2,5 meters	# 15.22.506
F/8 mm glass, polished aluminium 2,5 mtr. (13 x 12 x 8,6 mm)	# 15.22.507
F/10 mm glass, mirror chrome plated, 2,65 meters	# 15.22.509
F/10 mm glass, polished aluminium, 2,5 meters	# 15.22.510
F/10 mm glass, brushed aluminium, 2,5 meters	# 15.22.511
F/10 mm glass, silver anodized 2,8 mtr. (14,2 x 19 x 10,2 mm)	# 15.22.512
F/12 mm glass, mirror chrome plated, 2,3 meters	# 15.22.514
F/12 mm glass, polished aluminium, 2,5 meters	# 15.22.515
F/12 mm glass, brushed aluminium, 2,5 meters	# 15.22.516



Brushed aluminium



Mirror chrome plated



Polished aluminium

ACRYLIC GLASS CONNECTING PROFILES

Application:

To connect glass plates.
W/Adhesive tape

Material:

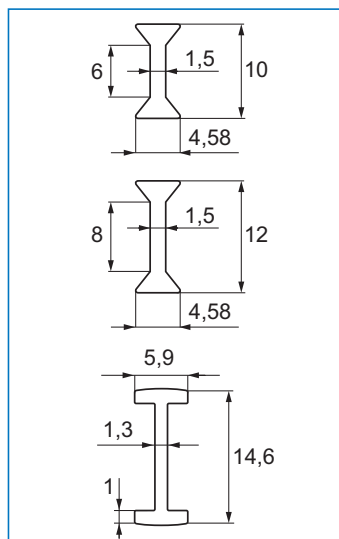
Transparent acrylic

Size:

3000 mm length

Item No.:

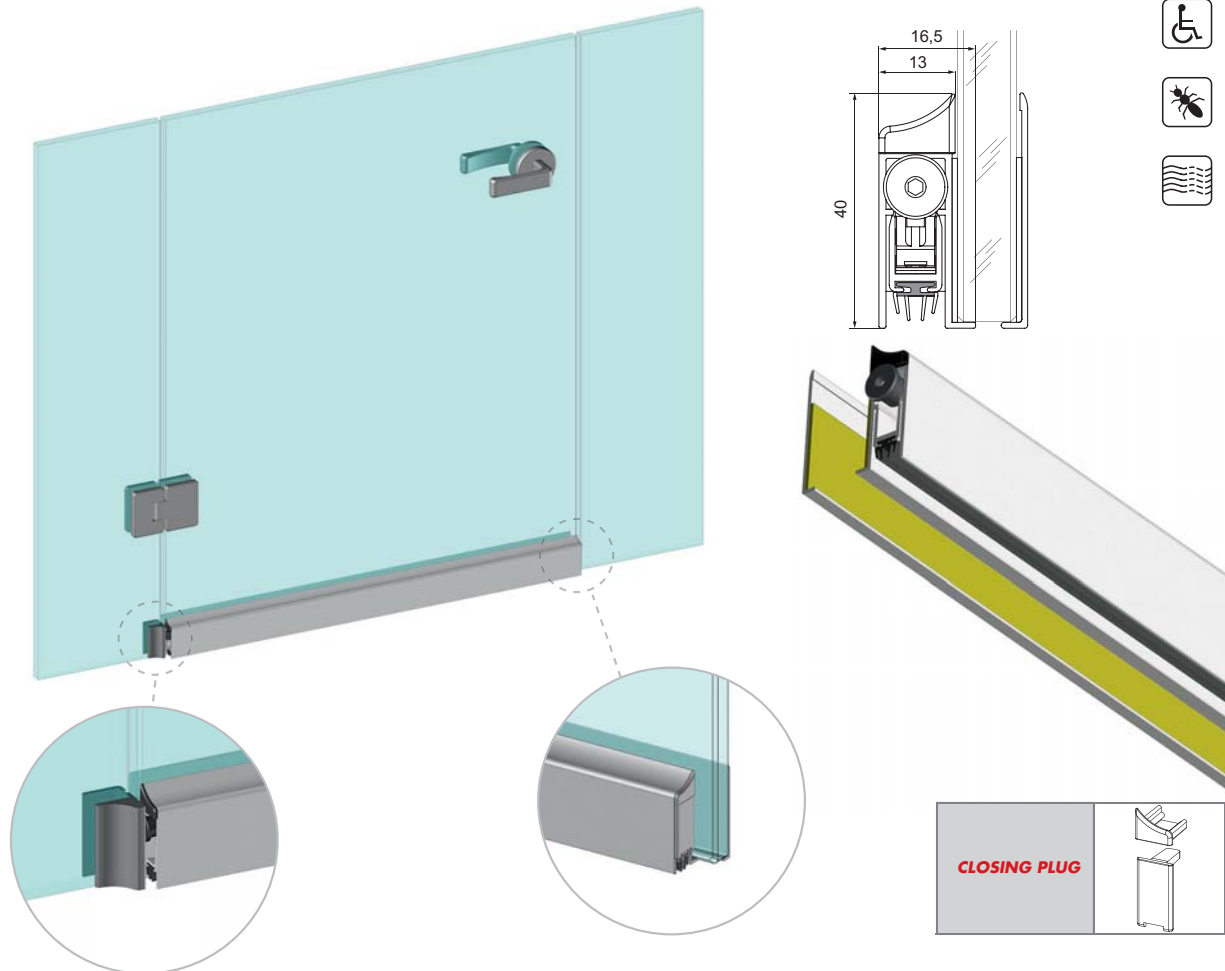
F/10 mm glass # 15.22.402
F/12 mm glass # 15.22.403
F/12 mm glass - I-shape # 15.22.404



DROP DOWN PROFILE F/HINGED DOORS F/AFTER MOUNTING

Application

This door bottom profile closes the gap between the hinged glass door bottom and the floor. It is easy to install. Perfect especially for installation on existing glass doors. Because of the graduated scissor action of the mechanism, the seal adapt itself to all kinds of floors, even if not perfectly linear. The system is finished with elegant end caps and rear cover that hides the application of adhesive on the opposite side.



Material:

Profile in aluminium. End caps & plunger activator in PA.
4 fins seal (A) in thermoplastic (for uneven surfaces)
Seal (B) in silicone (for even surfaces)
Brush (D) in polypropylene (for uneven surfaces)

Installation:

With high-strength double sided adhesive tape. No drilling in glass required.

Item No:

Anodized - 630 mm - w/seal A	# 15.22.635
Anodized - 830 mm - w/seal A	# 15.22.649-9
Anodized - 930 mm - w/seal A	# 15.22.650-9
Anodized - 1030 mm - w/seal A	# 15.22.652

Item No:

Anodized - 730 mm - w/seal B	# 15.22.637
Anodized - 830 mm - w/seal B	# 15.22.649-0
Anodized - 930 mm - w/seal B	# 15.22.650-0
Anodized - 1030 mm - w/seal B	# 15.22.651

Item No:

Anodized - 830 mm - w/brush D	# 15.22.639
Anodized - 930 mm - w/brush D	# 15.22.640

The profiles can be trimmed up to 150 mm on the opposite side to the plunger.

Other lengths and finishes available on request.



Seal (A)



Seal (B)



Brush (D)

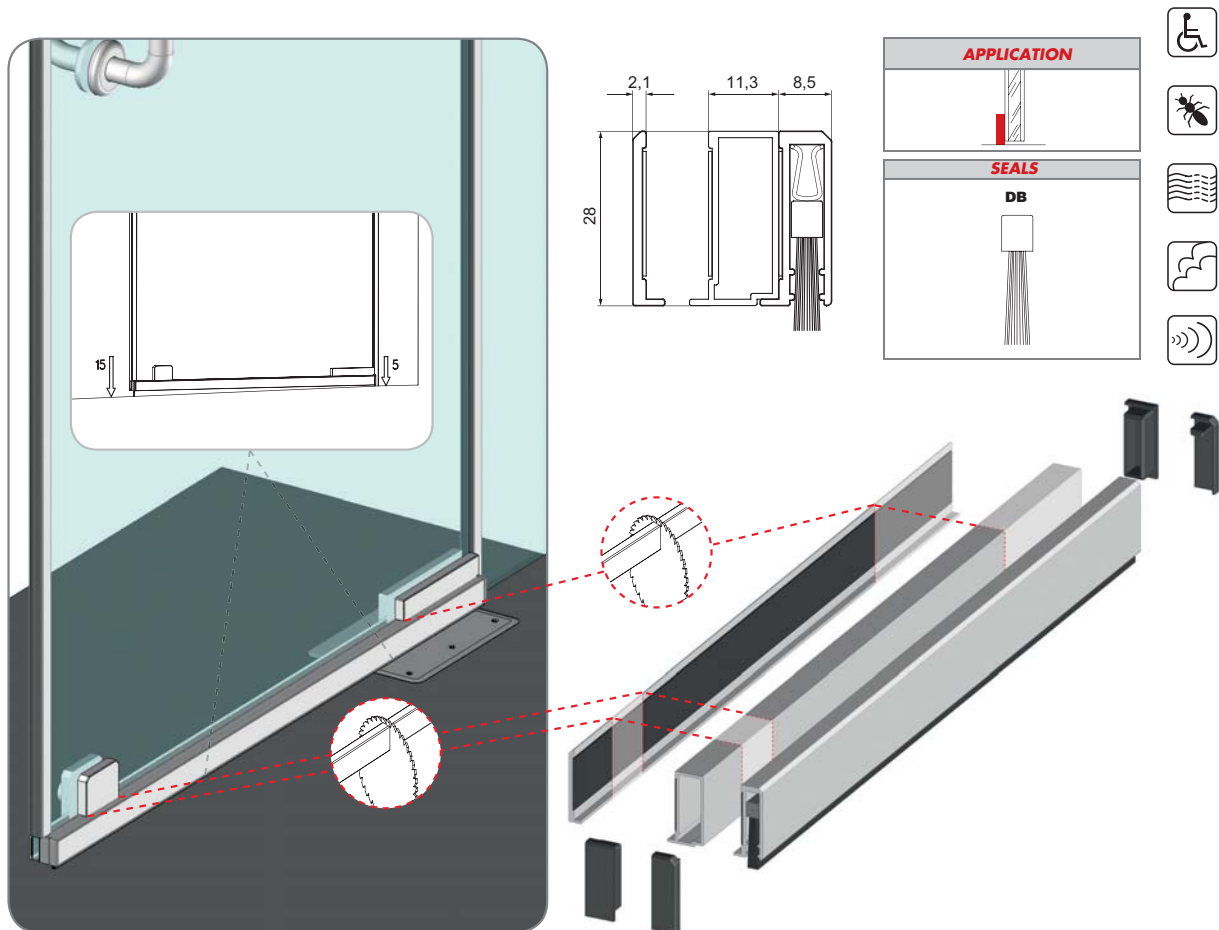
DROP DOWN PROFILE/PIVOT DOORS W/FLOOR SPRINGS

- high quality furniture fittings



Application

This system profile closes the gap between the glass door bottom and the floor. It can be installed on every traditional hinged door and also on pivot doors with concealed floor pump. The brush adapts to the floor pump plate with its self-levelling spring system. The fine hairs of the brush allow for creating a barrier against dust and insects without hampering the door opening, even when the floor is not perfectly smooth.



Material:

Profile in aluminium
End caps in PA w/20% glass fibre.
Brush in polypropylene

Installation:

With high-strength double sided adhesive tape. No drilling in glass required.

Item No.:

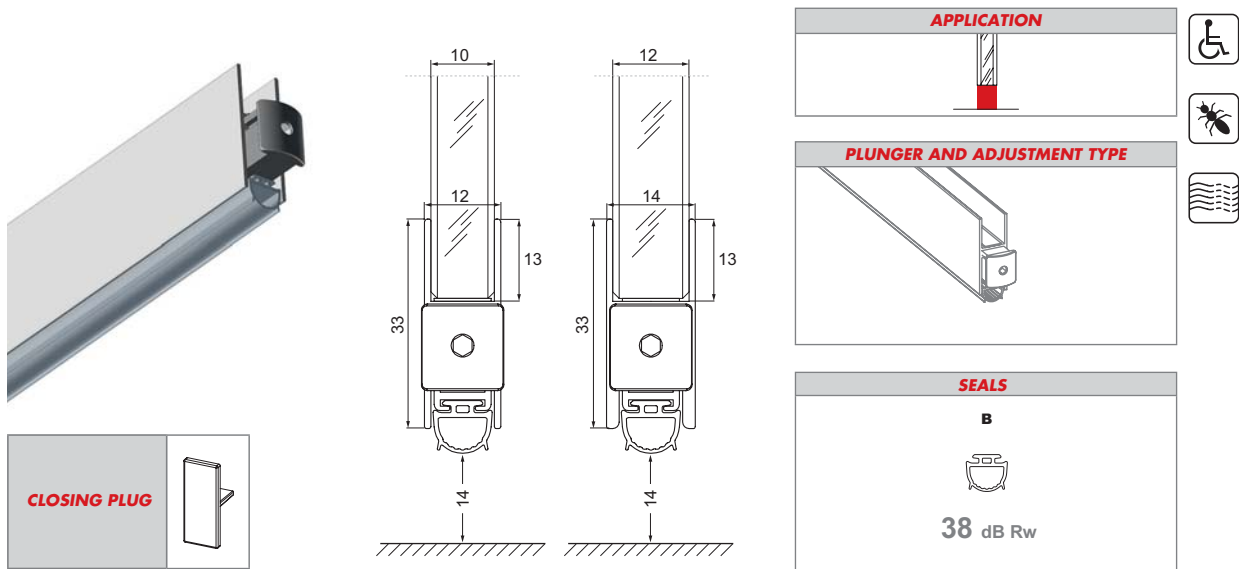
Anodized - 1030 mm # 15.22.690

Other finishes & lengths available on request. Can be ordered in length of 830 mm, 1030 mm, 1230 mm & 1430 mm and in anodized, polished & brushed aluminium.

DROP DOWN U-CHANNEL PROFILE F/HINGED DOORS

Application

This door bottom U-profile closes the gap between the hinged glass door bottom and the floor. The seal can drop max 14 mm. The plunger can be adjusted accordingly. Tested to 200.000 cycles. Available for 10 and 12 mm glass thickness.



Material:

Profile in aluminium
End caps in PA.
Seal in silicone

Installation:

With high-strength double sided adhesive tape

Item No.:

10 mm glass - anodized - 830 mm	# 15.22.659
10 mm glass - anodized - 930 mm	# 15.22.660
12 mm glass - anodized - 830 mm	# 15.22.679
12 mm glass - anodized - 930 mm	# 15.22.680

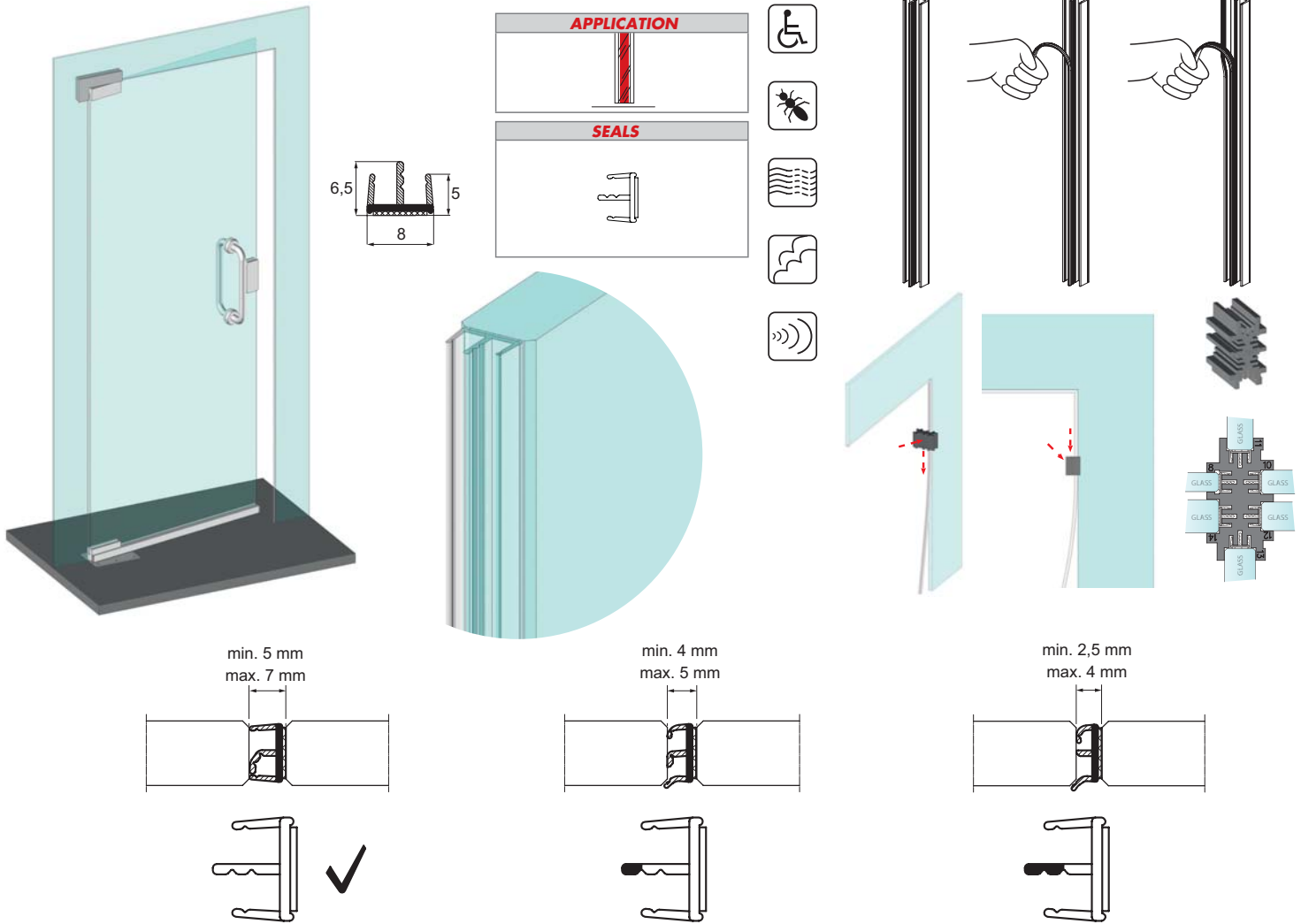
The profiles can be trimmed up to 150 mm on the opposite side to the plunger.
Other lengths, finishes and seals available on request.

GLASS SEALING PVC LIP F/HINGED DOORS

- high quality furniture fittings

Application

The glass lip is an adhesive seal for hinged glass doors and walls. It can be applied with a template which allows a perfect positioning always in the centre of the glass. It consists of a soft transparent seal with lips which is quickly installed with a high strength transparent adhesive. The seal lips can be shortened simply by tearing off part of the lip, to meet gaps from 2,5 to 7 mm. The system can be used for glass thickness 8 – 14 mm.



Material:

Transparent thermoplastic.

Installation:

By use of adhesive tape.

One set consists of:

10 profiles of 3000 mm, incl. 2 templates & 2 cleaning wipes.

Item No.:

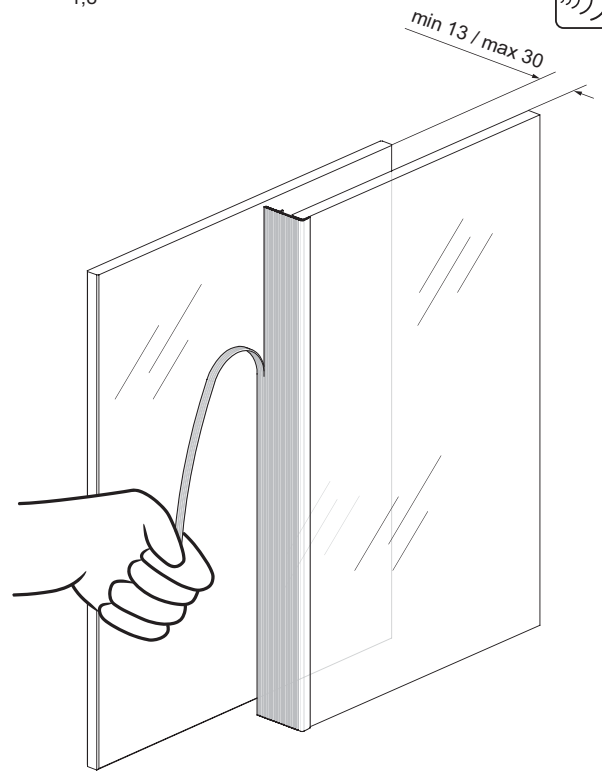
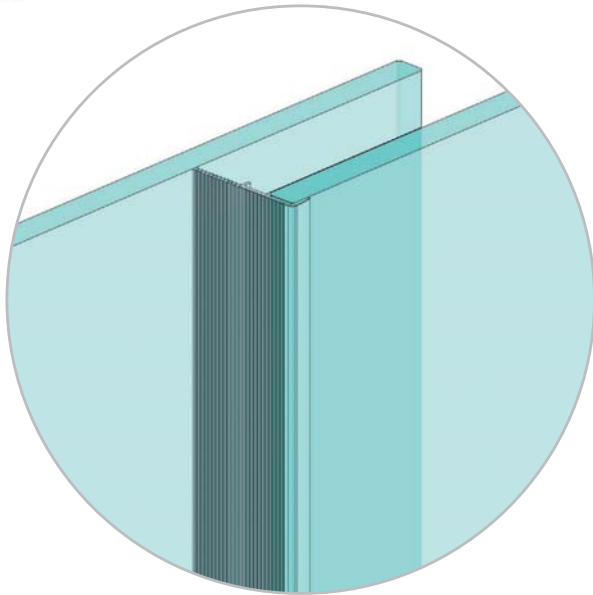
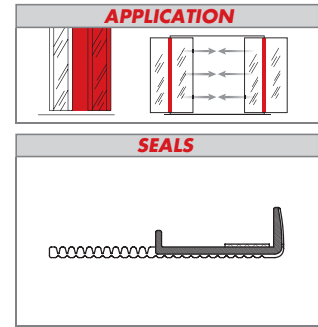
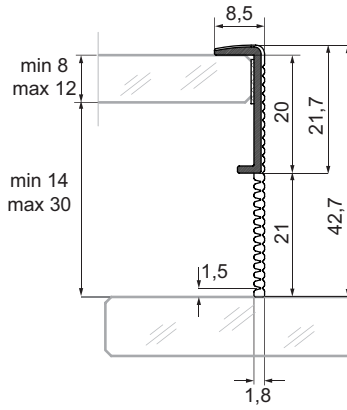
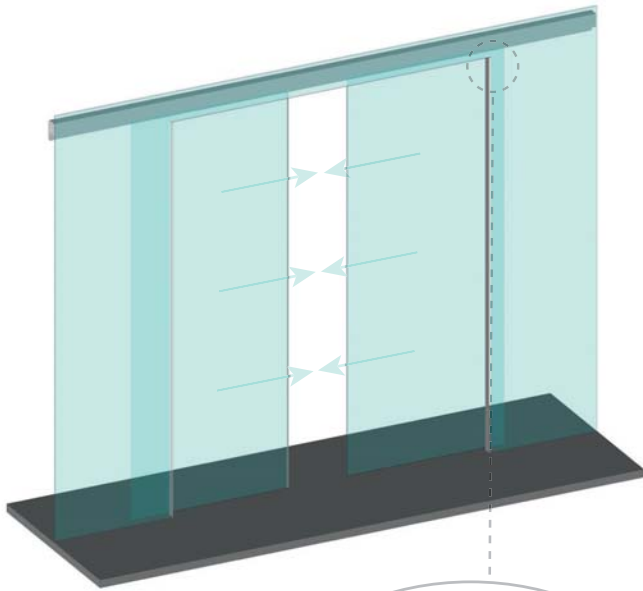
1 set of 10 profiles

15.22.620

GLASS SEALING PVC LIP F/SLIDING DOORS

Application

The glass lip is an adhesive seal for glass sliding doors. It consists of a soft transparent seal with an adjustable single lip, which is installed on the fixed part of the sliding door to compensate the gap with the moving part. The seal can be shortened by each millimeter simply by tearing off part of the lip, to compensate gaps from 12 to 30 mm. The system can be used for glass thickness 8 – 14 mm.



Material:

Transparent thermoplastic.

Installation:

By use of adhesive tape.

One set consists of:

5 profiles of 3000 mm, incl. cleaning wipes.

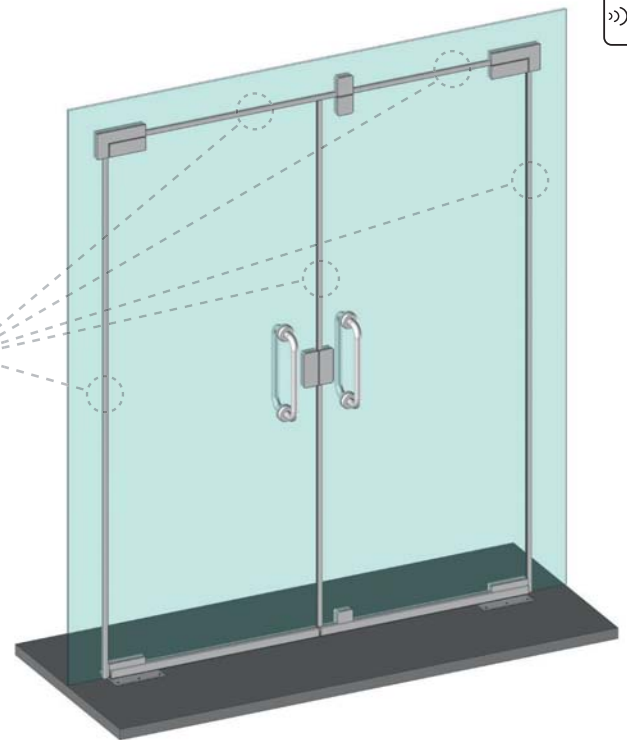
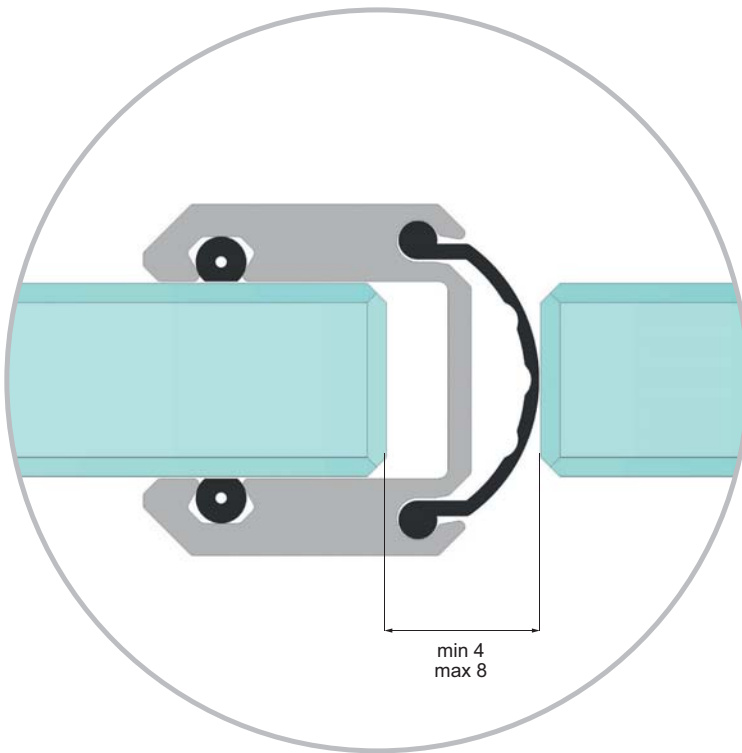
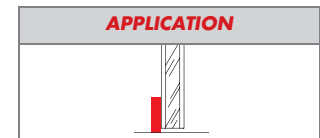
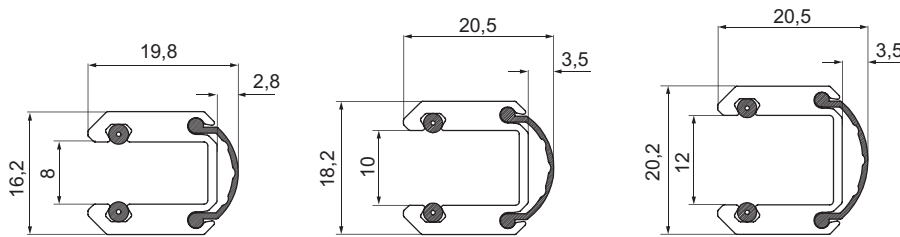
Item No.:

1 set of 5 profiles

15.22.600

Application

The glass frame system is a perimeter seal to close the gap around the leaves of a glass door, without the use of glue and adhesive, with an immediate installation. It consists of an aluminium profile with anti-vibration soft seals on the inside. The patented system allows for compensation of gaps from 4 – 8 mm, even in case the leaves are out of square and the gap is irregular. The system also solves the problems of dust, wind, smoke and noise, giving an added value to the aesthetics of the door.



Material

Profile in aluminium
Internal seal in soft pvc. External seal in TPE.

Installation

No drilling or gluing on glass required.

Item No.

F/8 mm glass – 3000 mm – brushed # 15.22.669
F/10 mm glass – 3000 mm - brushed # 15.22.670
F/12 mm glass – 3000 mm - brushed # 15.22.675

Also available anodized and polished aluminium on request.

Application

For sliding glass doors in offices, shops or domestic housing

Material: Stainless steel 304

Glass thickness: 8 - 10 mm

Max load capacity: 120 kg

1 Set for door width 960 - 1060 mm consists of

1 x Tube \varnothing 25 x 2050 mm

2 x End pieces for \varnothing 25 tube

2 x Door stoppers

2 x Sliding rollers

1 x Floor guide

1 x Installation drawing

Item No. # 28.29.001

To be ordered separately

Tube/wall bracket (5 pieces recommended)

Item No. # 28.29.010

Wall/tube bracket - LAY-ON f/ \varnothing 25 mm

(5 pieces recommended).

Item No. # 28.29.008

Tube/glass bracket (5 pieces recommended)

Item No. # 28.29.011

Glass/tube bracket - LAY-ON f/ \varnothing 25 mm

(5 pieces recommended).

Item No. # 28.29.009

Side-wall mounting fitting f/ \varnothing 25 mm tube

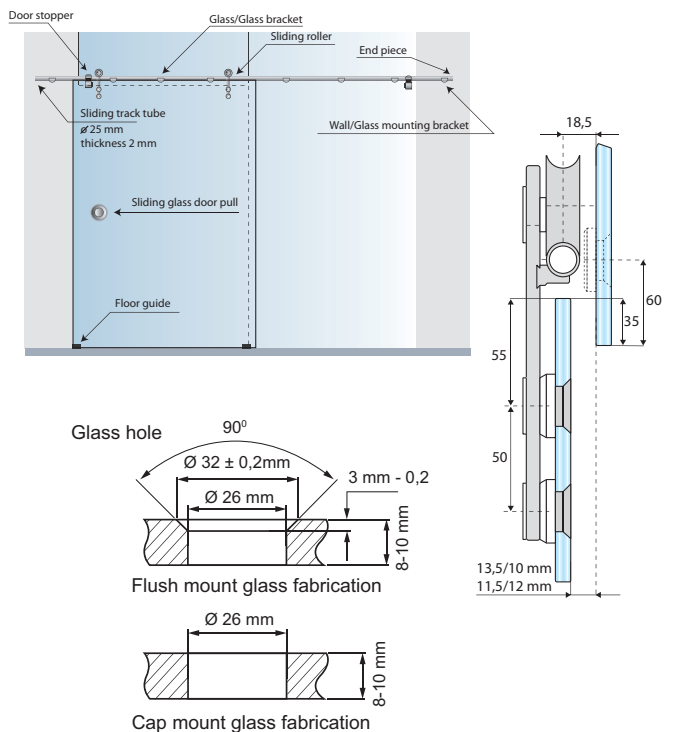
Item No. # 28.29.012

Sliding glass door pull \varnothing 65mm. Bore \varnothing 50 mm

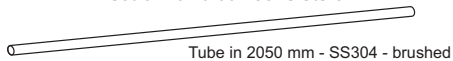
Item No. # 28.29.019

Mounting tool for snake eye screws

Item No. # 28.29.020



1 set of 28.29.001 consists of:



End pieces in SS304



Floor guide in SS304



Detachable anti-lift block



Door stoppers left & right - SS304



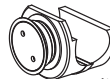
Sliding door rollers in SS304

To be ordered separately depending on your construction

To be used for glass walls



Item No.: 28.29.011
Drilling in tube required



Item No.: 28.29.009
No drilling in tube required.
Cannot be used with anti-lift block on sliding rollers

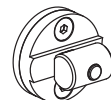


Item No.: 28.29.020
Installation tool

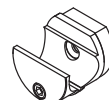
To be used for wooden & concrete walls



Item No.: 28.29.012
Side-wall mounting fitting



Item No.: 28.29.010
Drilling in tube required



Item No.: 28.29.008
No drilling in tube required.
Cannot be used with anti-lift block on sliding rollers



Item No.: 28.29.019
Sliding door pull \varnothing 65 mm
(Bore: \varnothing 48 mm)

SLIDING DOOR SYSTEM "SKYLAB", ALUMINIUM

- high quality furniture fittings

Application

For sliding glass doors in offices, shops or domestic housing

Material: Aluminium anodized

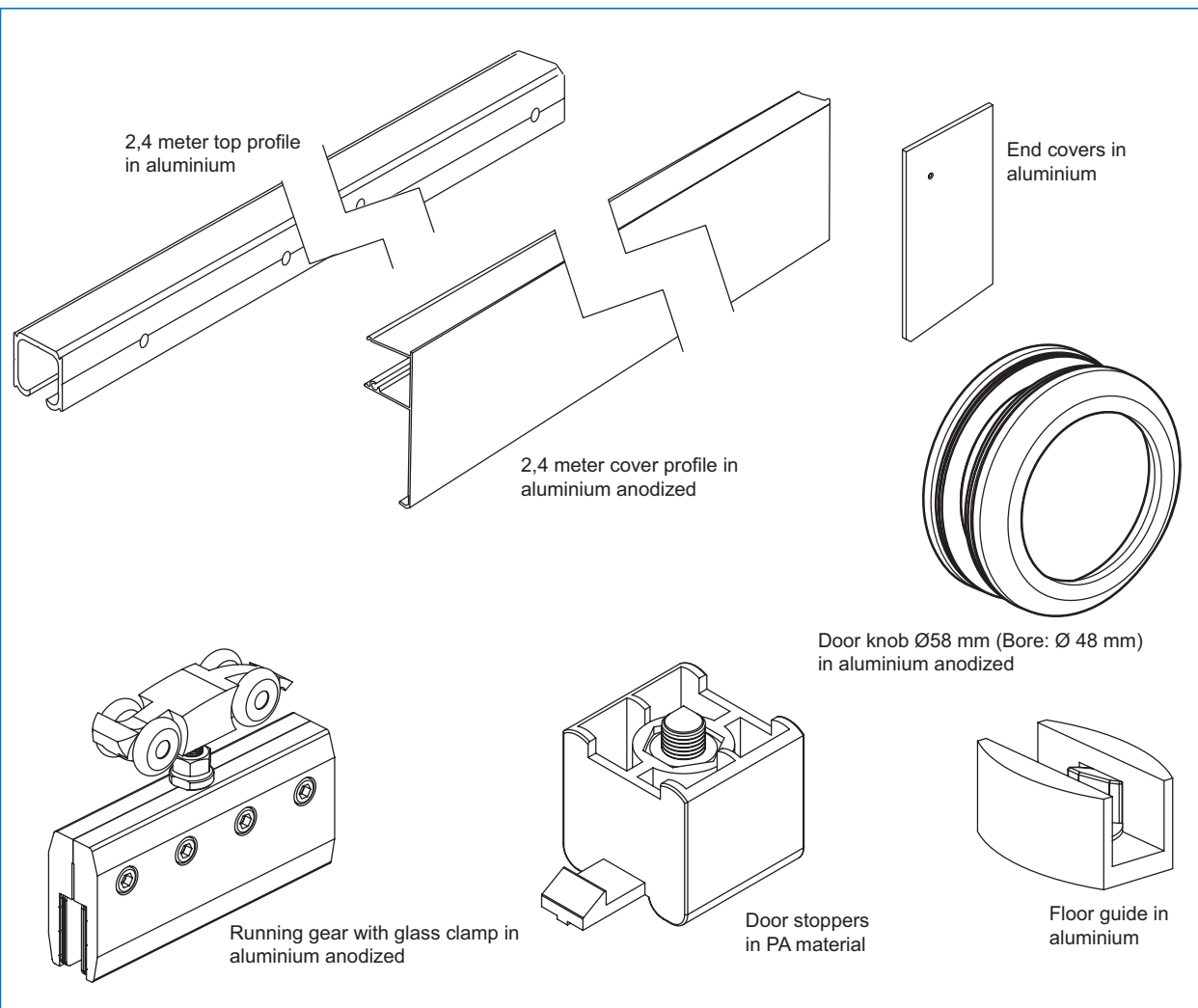
Glass thickness: 8 – 10 mm

Max dynamic load capacity: 35 kg

1 Set for max door width 1000 mm consists of

- 1 x 2,4 meter top profile in aluminium anodized.
- 1 x 2,4 meter cover profile in aluminium anodized.
- 2 x End covers in aluminium anodized.
- 2 x Running gear with glass clamp in aluminium anodized
- 1 x Floor guide in aluminium anodized.
- 2 x Door stoppers in PA material.
- 1 x Door knob \varnothing 58 mm (Bore: \varnothing 48 mm) in aluminium anodized.

Item No. # 28.29.200



SLIDING DOOR SYSTEM "COSMOS"

Application

For sliding glass doors in showers

Material: Aluminium polished

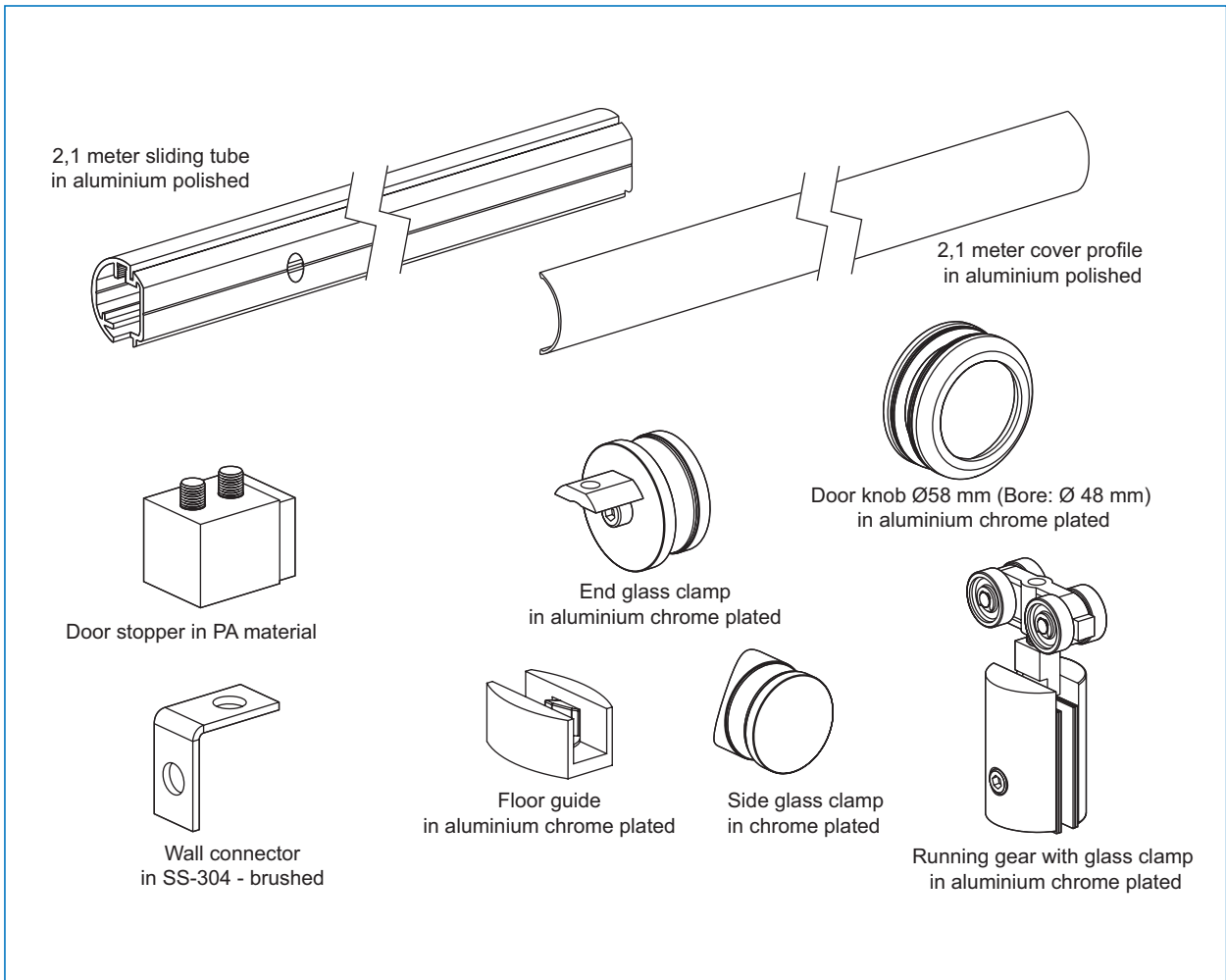
Glass thickness: 8 – 10 mm

Max dynamic load capacity: 35 kg

1 Set for max door width 740 mm consists of

- 1 x 2,1 meter sliding tube in aluminium polished
- 1 x 2,1 meter cover profile in aluminium polished
- 1 x End glass clamp in aluminium chrome plated
- 2 x Side glass clamp in aluminium chrome plated
- 1 x Wall connector in SS304 - brushed
- 2 x Running gear with glass clamp in aluminium chrome plated
- 1 x Floor guide in aluminium chrome plated
- 2 x Door stoppers in PA material
- 1 x Door knob \varnothing 58mm (Bore: \varnothing 48mm) in aluminium chrome plated

Item No. # 28.29.102



SLIDING DOOR SYSTEM "SALYUT" W/SOFT CLOSE

- high quality furniture fittings



Application

For sliding glass doors in offices, shops or domestic housing. With soft close function.

Material: Aluminium anodized

Glass thickness: 8 - 12 mm

Max load capacity: 70 kg

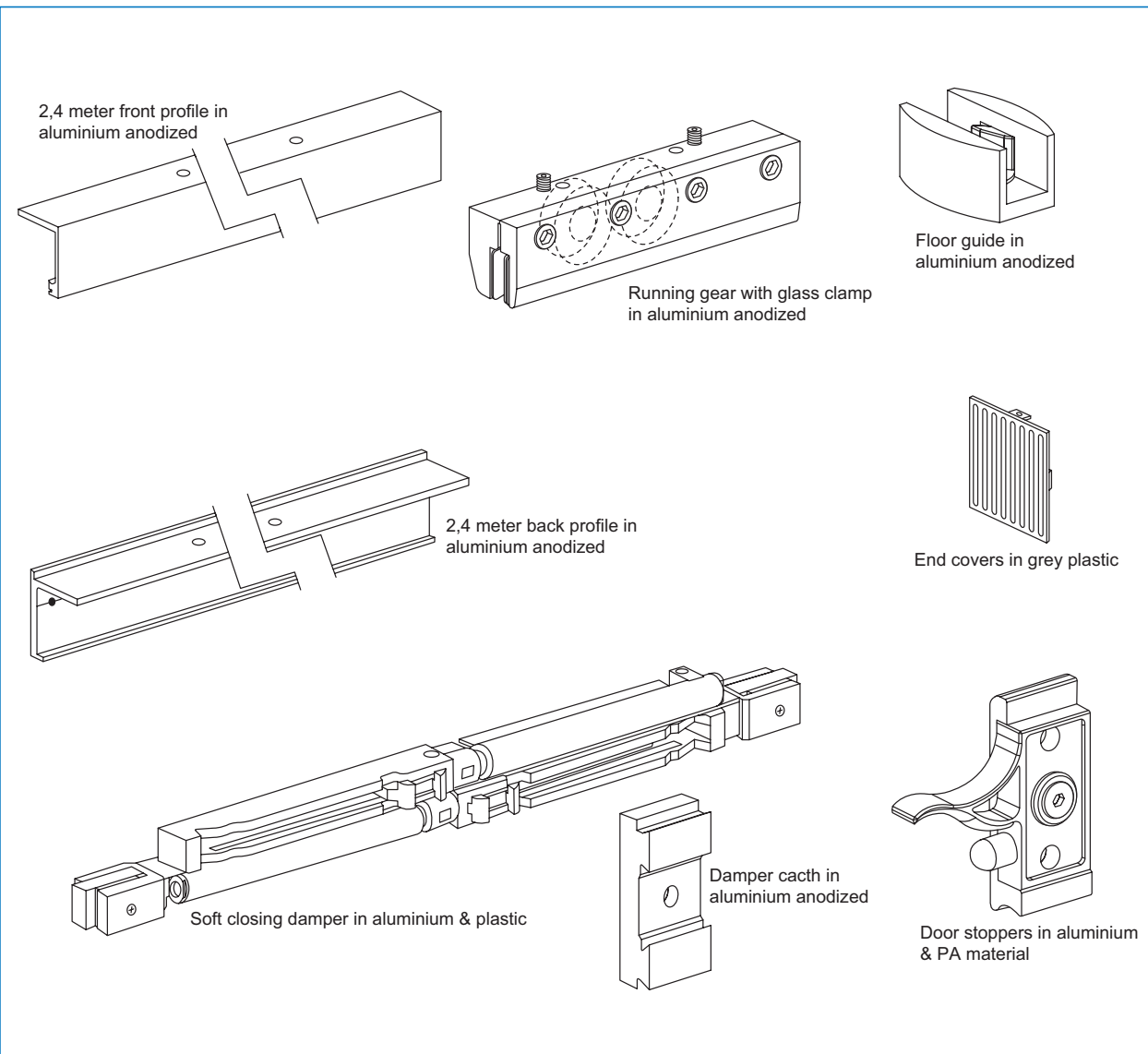
1 set for max door width 1000 mm consists of

- 1 x 2,4 meter back profile in aluminium anodized
- 1 x 2,4 meter front profile in aluminium anodized
- 2 x End covers in grey plastic
- 2 x Running gear w/glass clamp in aluminium anodized
- 1 x Floor guide in aluminium anodized
- 2 x Damper catch in aluminium anodized
- 2 x Door stoppers in aluminium anodized

Item No. # 28.29.421 (No soft close function)

Soft close function to be bought seperately.
2 pcs needed for 1 door.

Item No. # 28.29.422 (1 pcs)



SLIDING DOOR SYSTEM "ISS", SS304 & ALUMINIUM

Application
For sliding glass doors in offices, shops or domestic housing

Material: Stainless steel 304 brushed & aluminium anodized

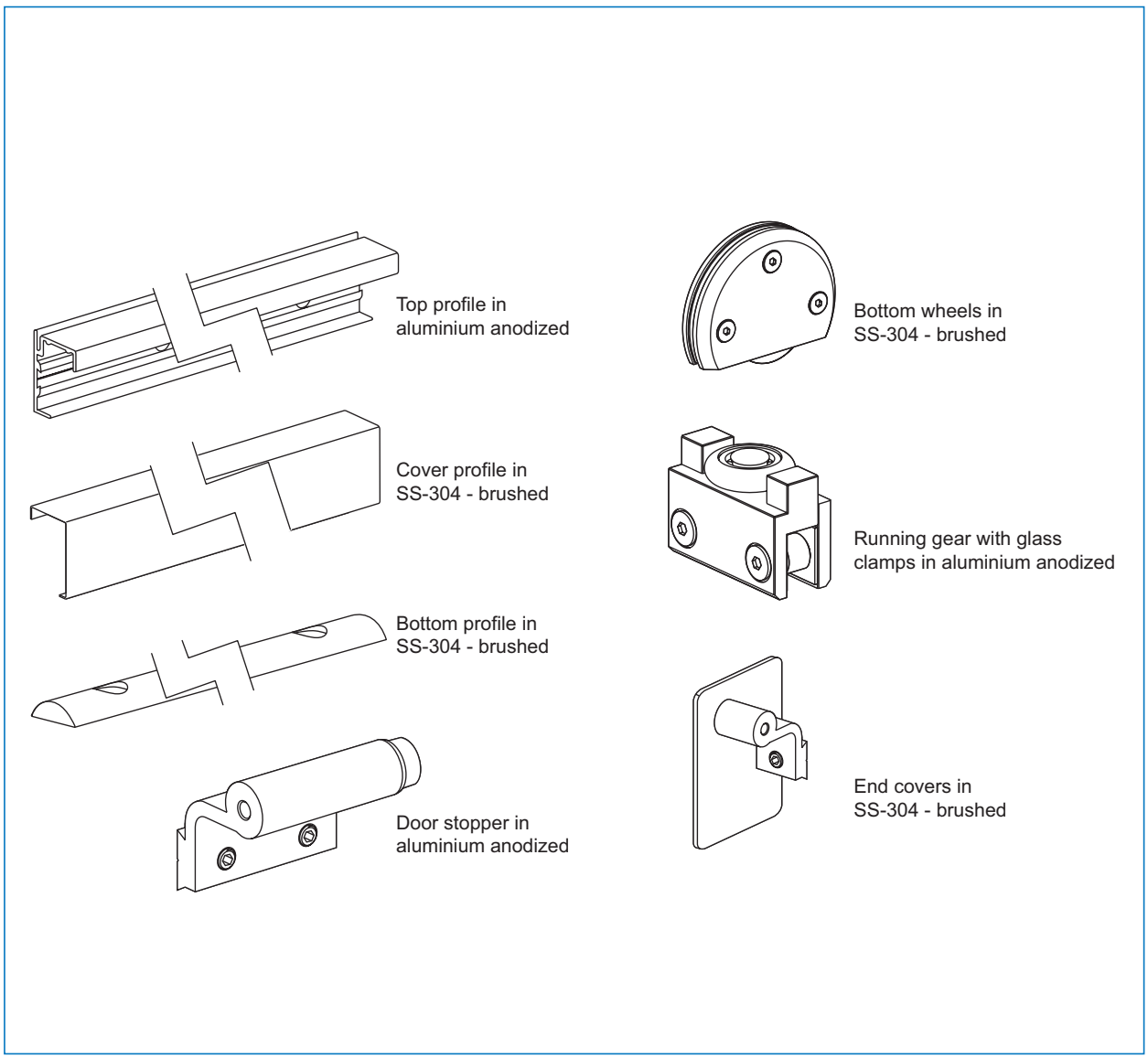
Glass thickness: 8 – 10 mm

Max dynamic load capacity: 35 kg

1 Set for max door width 1000 mm consists of

- 1 x 2 meter top profile in aluminium anodized
- 1 x 2 meter cover profile in SS304 – brushed
- 1 x 2 meter bottom profile in SS304 - brushed
- 2 x End covers in SS304 - brushed
- 2 x Running gear with glass clamp in aluminium anodized
- 2 x Bottom wheels in SS304 - brushed
- 2 x Door stoppers in aluminium anodized

Item No. # 28.29.400



FOLDING GLASS DOOR SYSTEM

- high quality furniture fittings

Application:

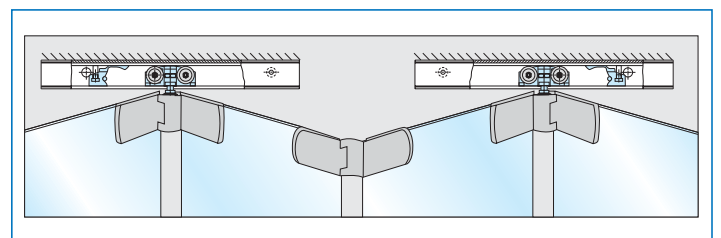
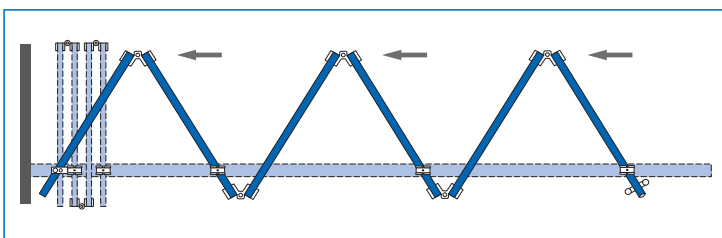
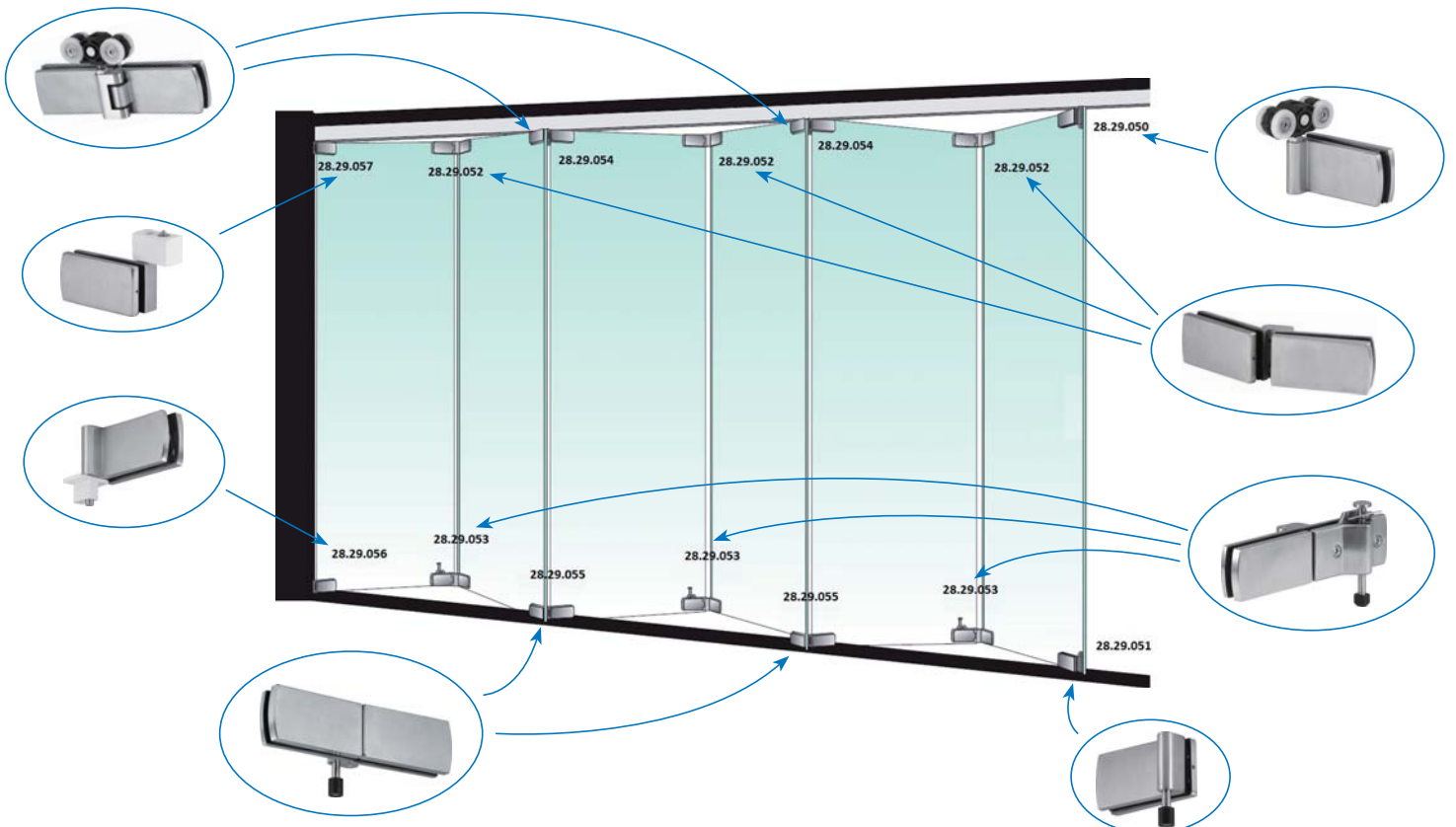
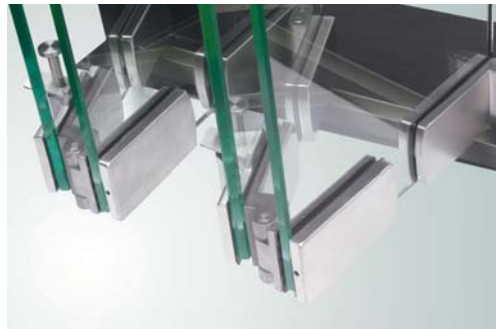
F/Folding glass doors in office, shops or domestic housing

Material: Stainless steel 304 - brushed

Glass thickness: 10 - 12 mm

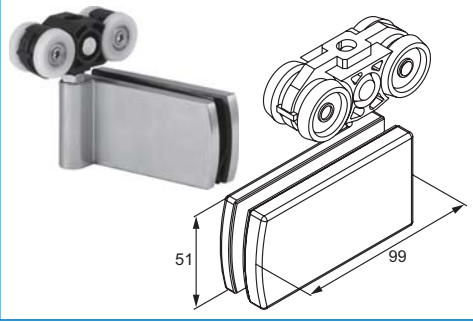
Max door size: 2500 x 900 mm (H/W)

Max door weight: 70 kg

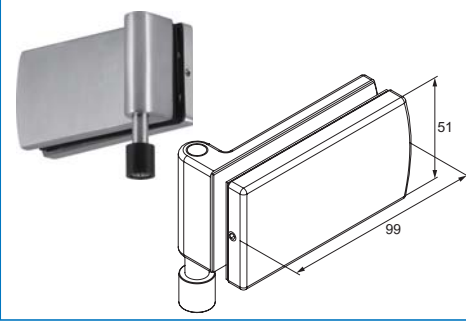


FOLDING GLASS DOOR SYSTEM

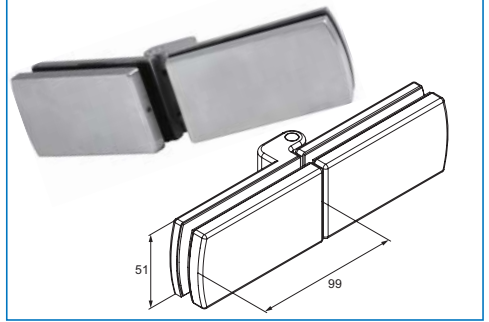
Top start pivot hinge w/roller
Item No.: # 28.29.050



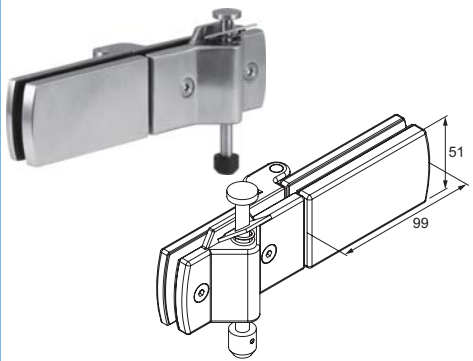
Bottom start pivot hinge w/guide pin
Item No.: # 28.29.051



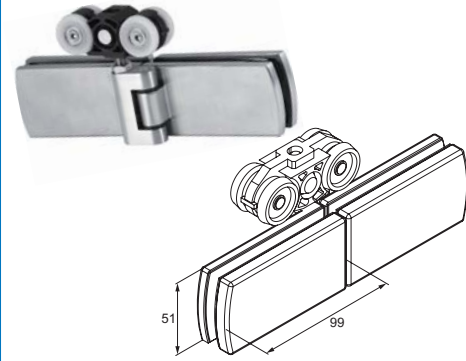
Top folding hinge
Item No.: # 28.29.052



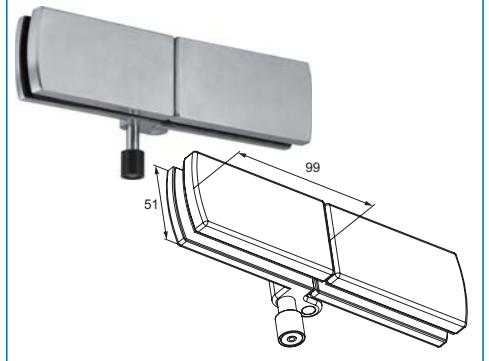
Bottom folding hinge w/locking bolt
Item No.: # 28.29.053



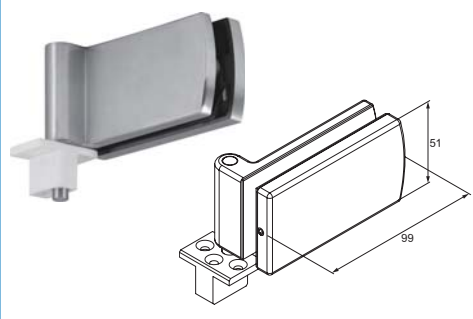
Top folding hinge w/roller
Item No.: # 28.29.054



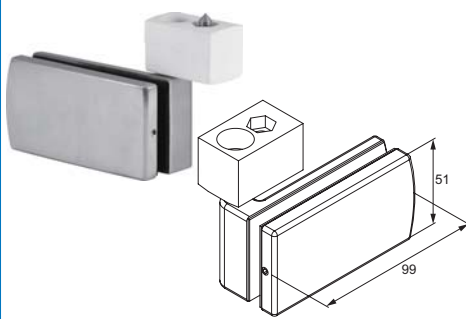
Bottom folding hinge w/guide pin
Item No.: # 28.29.055



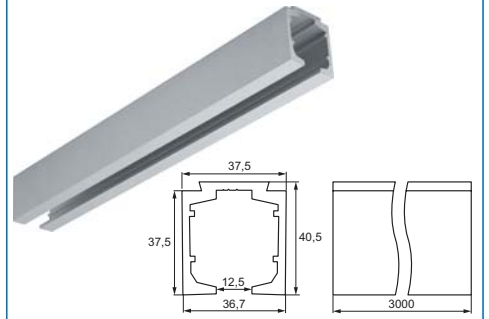
Bottom end pivot hinge
Item No.: # 28.29.056



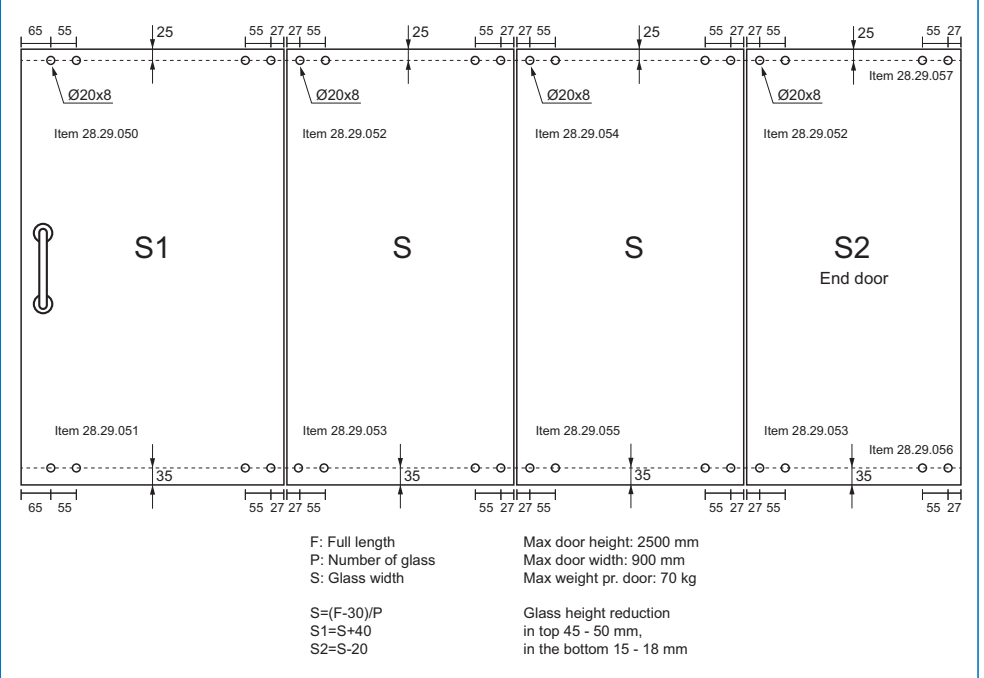
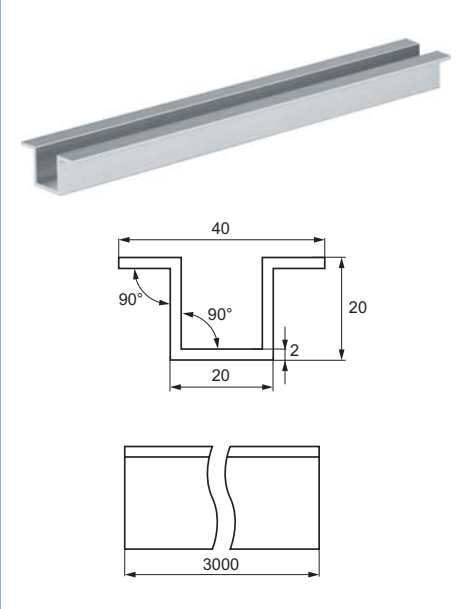
Top end pivot hinge
Item No.: # 28.29.057



Aluminium top profile – 3000 mm - brushed
Item No.: # 28.25.220



Aluminium bottom profile – 3000 mm - brushed
Item No.: # 28.25.221



TOWEL SHELF W/BAR

Material: Stainless steel 304
Finish: Polished
Size: Feet: \varnothing 18 x 90 mm
 & \varnothing 18 x 200 mm
 Bars: \varnothing 12 x 610 mm
Box packing: 1 pce.
 incl. screws, hex key & wall plugs
Export packing: 5 pcs.
Item No. # 17.73.010



TOWEL BAR - DOUBLE

Material: Stainless steel 304
Finish: Polished
Size: Feet: \varnothing 18 x 120 mm
 Bars: \varnothing 12 x 610 mm
Blister packing: 1 pce.
 incl. screws, hex key & wall plugs
Export packing: 20 pcs.
Item No. # 17.73.020



TOWEL BAR - SINGLE

Material: Stainless steel 304
Finish: Polished
Size: Feet: \varnothing 18 x 65 mm
 Bar: \varnothing 12 x 610 mm
Blister packing: 1 pce.
 incl. screws, hex key & wall plugs
Export packing: 20 pcs.
Item No. # 17.73.015



TOWEL HOOK W/PIN

Material: Stainless steel 304
Finish: Polished
Size: \varnothing 16 x 32 mm
Blister packing: 1 pair
 incl. screws, hex key & wall plugs
Export packing: 20 pairs
Item No. # 17.73.100



TOILET ROLL HOLDER

Material: Stainless steel 304
Finish: Polished
Size: Feet: \varnothing 18 x 65 mm
 Wire: \varnothing 10 mm
Blister packing: 1 pce.
 incl. screws, hex key & wall plugs
Export packing: 20 pcs.
Item No. # 17.73.000



TOILET BRUSH WITH HOLDER

Material: Stainless steel 304
Finish: Polished
Size: Holder: 120 x 142 mm
Box packing: 1 set
 incl. screws, hex key & wall plugs
Export packing: 10 sets
Item No. # 17.73.030



MOUNTING METHOD

SAME MOUNTING METHOD
 FOR ALL PRODUCTS



Application
 Complete solution for construction of toilet cubicles.
 Ideal for toilets in public swimming baths, airports, locker rooms or gas stations.
 Made of black, grey or white polypropylene (PP).
 Available for right hand & left hand doors.
 For wall thickness 12 - 18 mm.

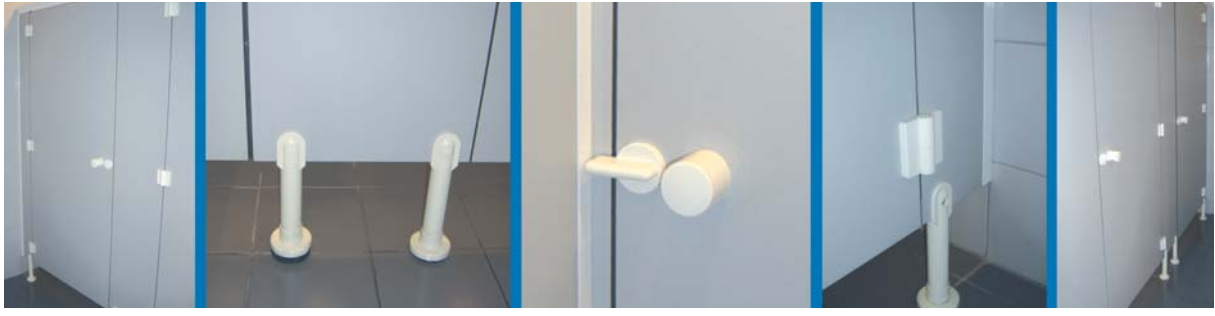
On set consists of
 2 handles
 1 hook
 1 lock
 12 angle brackets w/cover caps
 2 hinges
 2 stands w/cover caps

Item No.:
 Black right hand # 22.23.050
 Grey right hand # 22.23.051
 White right hand # 22.23.052

Black left hand # 22.23.060
 Grey left hand # 22.23.061
 White left hand # 22.23.062

Other colours & material on request.

Packing
 20 sets pr. export carton



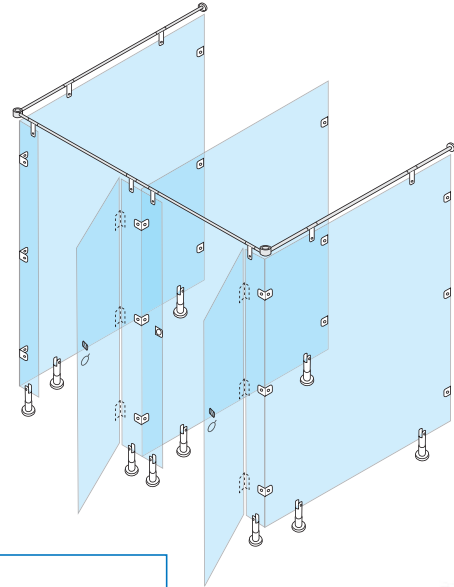
TOILET CUBICLE FITTINGS IN SS304 F/OVERLAY DOORS OR F/INSET DOORS

- high quality furniture fittings



Application

Complete solution for construction of toilet cubicles.
Ideal for toilets in public swimming baths, airports, locker rooms or gas stations.
Made of stainless steel 304.
Available for right hand & left hand doors.
For wall thickness 10 - 18 mm.



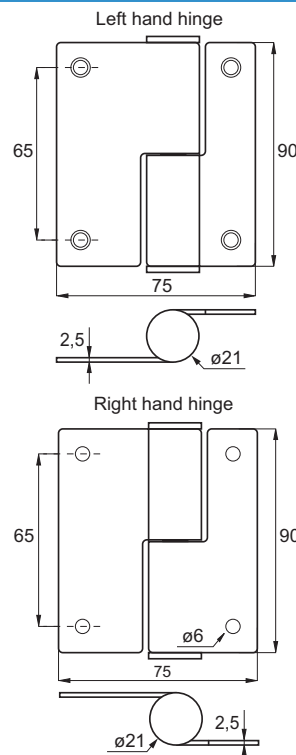
LIFT DOOR HINGE F/OVERLAY DOORS

Stainless steel 304, brushed.
Self closing. By up/down function.
Outwards opening. Inclusive screws for panel mounting.
Left or right hand.

Size: 90 x 75 x 2,5 mm

Item No.:

Right Hand # 22.23.160
Left Hand # 22.23.161



Left hand



Right hand



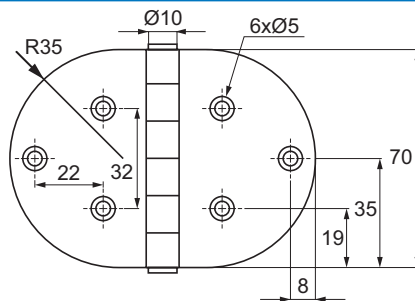
FLAP HINGE F/INSET DOORS

Stainless steel 304, brushed.
Inclusive screws for panel mounting.
Universal.

Size: 98 x 70 X 2 mm

Item No.:

22.23.170



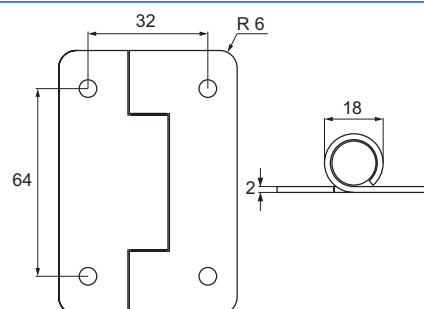
SPRING DOOR HINGES F/INSET DOORS

Stainless steel 304, brushed.
Inwards opening.
Self closing by spring function
Inclusive screws for panel mounting.
Universal.

Size: 90 x 52 x 2 mm

Item No.:

22.23.165



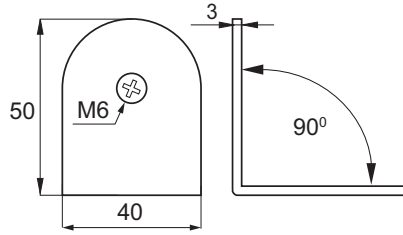
TOILET CUBICLE FITTINGS IN SS304 F/OVERLAY DOORS OR F/INSET DOORS

L-BRACKET

Stainless steel 304, brushed.
Incl. plugs & screws for wall & panel mounting

Size: 50 x 40 X 3 mm

Item No.: # 22.23.125

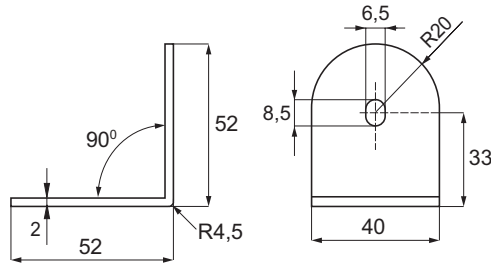


L-BRACKET W/OVAL HOLE

Stainless steel 304, brushed.
Incl. washers and fixing screws.

Size: 52 x 40 x 2 mm

Item No.: # 22.23.126

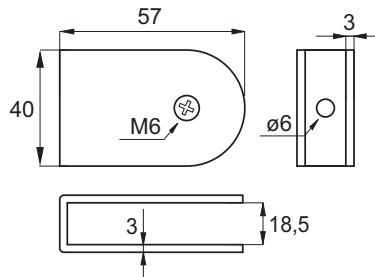


U-BRACKET

Stainless steel 304, brushed.
Incl. plugs & screws for wall & panel mounting. Incl. EPDM Washers f/10, 13 & 16 mm panel.

Size: 57 x 40 X 18 x 3 mm

Item No.: # 22.23.130

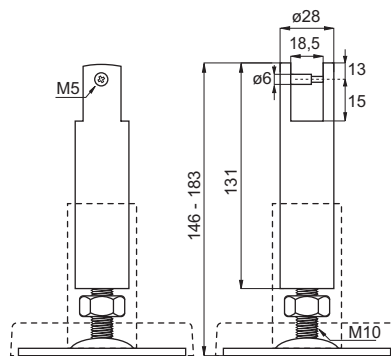


PANEL SUPPORT LEG

Stainless steel 304, brushed.
Incl. floor & panel screws.
Incl. EPDM washers f/10, 13 & 16 mm panel. 37 mm height adjustment.

Size: ø 28 x 140 mm

Item No.: # 22.23.145

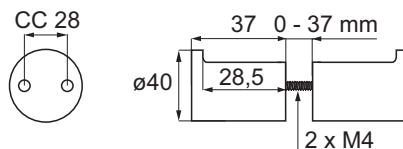


HOLLOW DOOR KNOB

Stainless steel 304, brushed.

Size: ø 40 x 37 mm

Item No.: # 22.23.136



TOILET CUBICLE FITTINGS IN SS304 F/OVERLAY DOORS OR F/INSET DOORS

- high quality furniture fittings

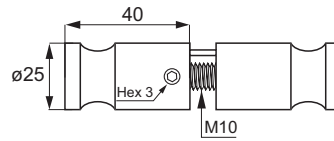


DOOR KNOB

Stainless steel 304, brushed.
W/fixing pin

Size: \varnothing 25 x 40 mm

Item No.: # 22.23.135

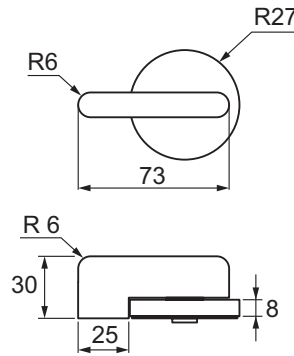


TURN & RELEASE HANDLE F/INSET DOORS - SOLID

Stainless steel 304, brushed.
W/Indicator showing if door is open or closed

Size: \varnothing 50 mm

Item No.: # 22.23.151

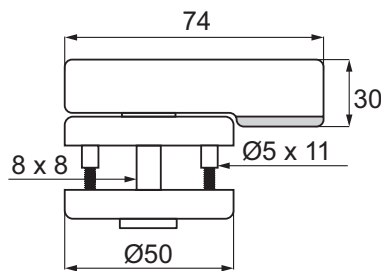


TURN & RELEASE HANDLE F/INSET DOORS - HOLLOW

Stainless steel 304, brushed.
W/Indicator showing if door is open or closed

Size: \varnothing 50 mm

Item No.: # 22.23.152

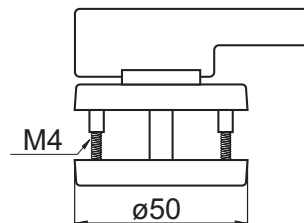


TURN & RELEASE HANDLE F/OVERLAY DOORS

Stainless steel 304, brushed.
W/indicator if door is open or closed.

Size: \varnothing 50 mm

Item No.: # 22.23.150



Application

Signs for restroom doors
with or without adhesive tape.

Material:

Stainless steel 201, brushed

Size:

\varnothing 76 x 1,5 mm

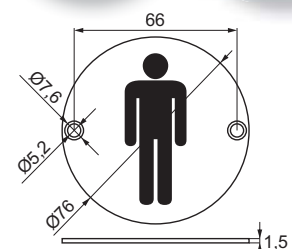
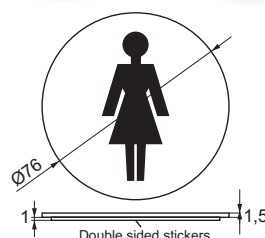
Item No.:

Male, screw-on # 22.23.260

Female, screw-on # 22.23.261

Male, w/adhesive tape # 22.23.270

Female, w/adhesive tape # 22.23.271



TUBE CONNECTOR FITTINGS SS304 F/TOILET CUBICLES

TUBE CLIP HOLDER SS304

Description:
Tube clip holder, 110 x 40 x 2,5 mm for 19 mm tube.

Finish:
Brushed SS-304

Item No:
22.23.108

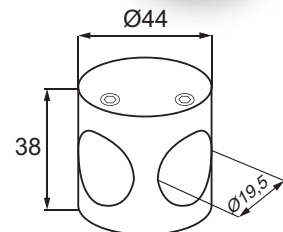
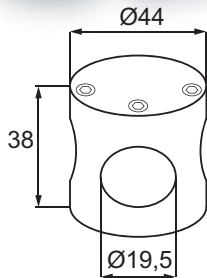
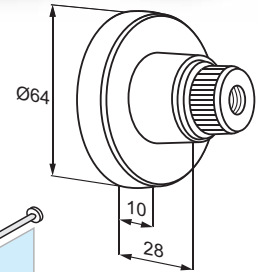
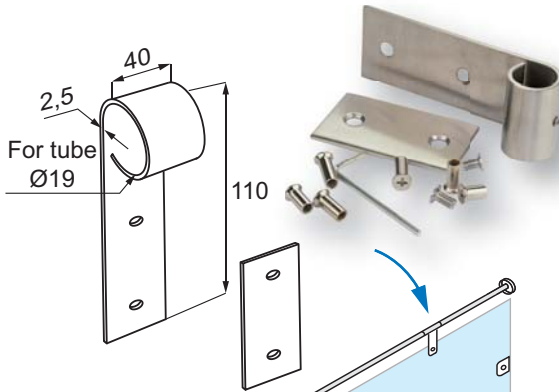
TUBE HOLDER SS304

Description:
Tube holder, ø64 x 10 x 28 mm for 19 mm tube.

Finish:
Brushed SS-304

Item No:
22.23.105

TUBE
ø19 x 3000 mm
1,2 mm Thickness
SS-304 - Brushed
Item No. # 22.23.250



TUBE HOLDER 3-WAY SS304

Description:
Tube connector 3-way, ø44 x 38 mm f/19 mm tube.

Finish:
Brushed SS-304

Item No:
22.23.115

TUBE HOLDER 2-WAY SS304

Description:
Tube connector 2-way, ø44 x 38 mm f/19 mm tube.

Finish:
Brushed SS-304

Item No:
22.23.110

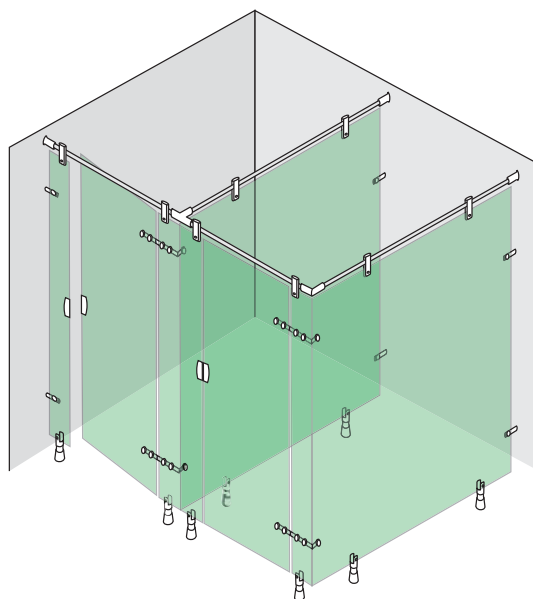
TOILET CUBICLE FITTINGS IN SS304 F/GLASS PANELS 8 - 10 MM

- high quality furniture fittings



Application

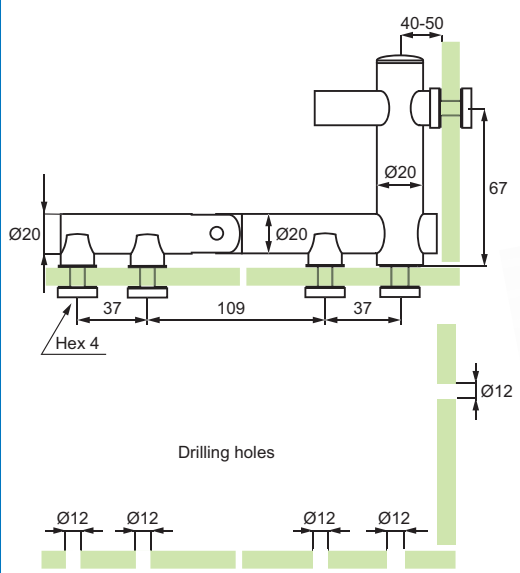
Complete solution for construction of toilet cubicles.
Ideal for toilets in public swimming baths, airports,
locker rooms or gas stations.
Made of stainless steel 304.



DOOR HINGE W/ANGLE BRACKET

Stainless steel 304, brushed
Inwards opening
Inset doors, \varnothing 12mm drilling
Universal. No left or right
F/8-10 mm glass

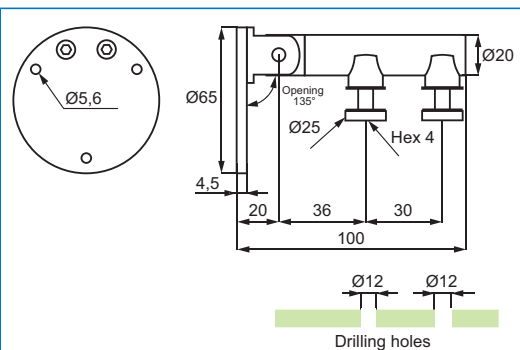
Item No.: # 22.23.220



DOOR HINGE WALL/GLASS

Stainless steel 304, brushed
Inset doors, \varnothing 12 mm drilling
Universal. No left or right
F/8-10 mm glass

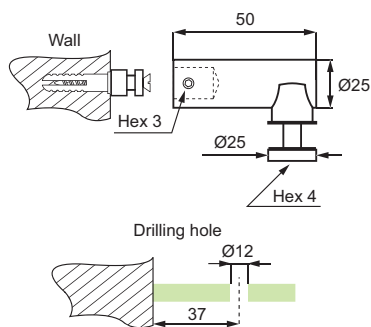
Item No.: # 22.23.221



ANGLE BRACKET WALL/GLASS

Stainless steel 304, brushed
 \varnothing 12 mm drilling
F/8-10 mm glass

Item No.: # 22.23.230

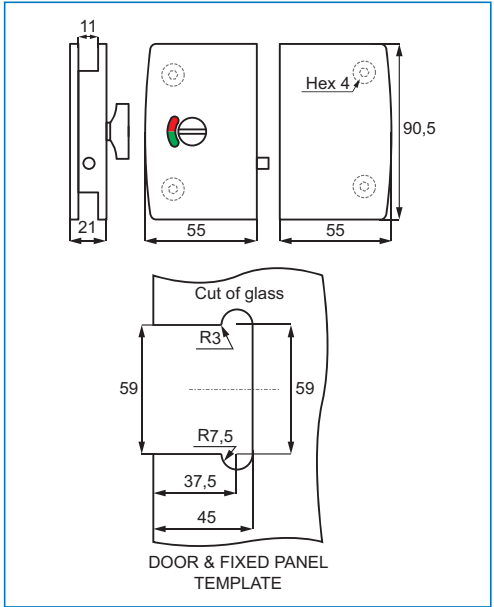


TOILET CUBICLE FITTINGS IN SS304 F/GLASS PANELS 8 - 10 MM

DOOR LOCK W/STRIKER

Brass - SS-Look
W/Indicator
Cutting required
F/8-10 mm glass

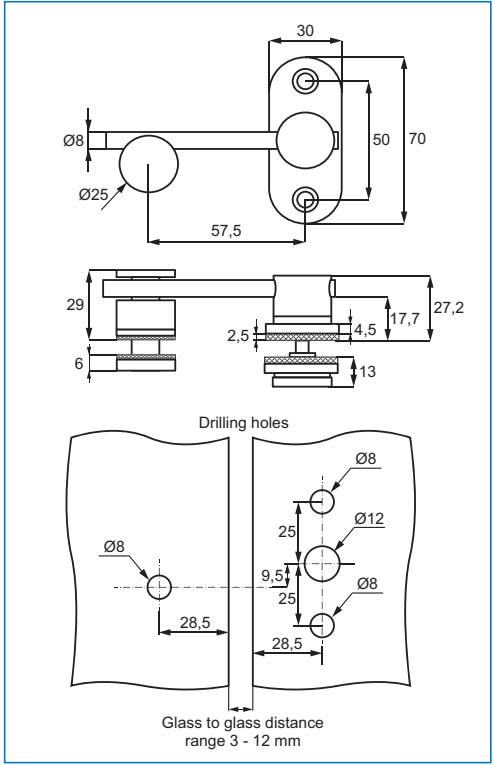
Item No.: # 22.23.200



DOOR LOCK "SLIM" W/STRIKER

Stainless steel 304, brushed
W/Indicator
Drilling required
F/8-10 mm glass

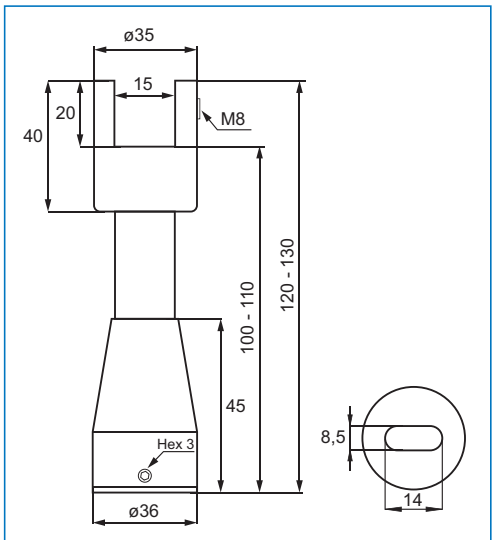
Item No.: # 22.23.202



PANEL SUPPORT LEG

Stainless steel 304, brushed.
10 mm height adjustment.
From 100 - 110 mm
w/black gaskets 2 x 1 mm & 2 x 2 mm
F/8-10 mm glass

Item No.: # 22.23.225



TOILET CUBICLE FITTINGS IN SS304 F/GLASS PANELS 8 - 10 MM

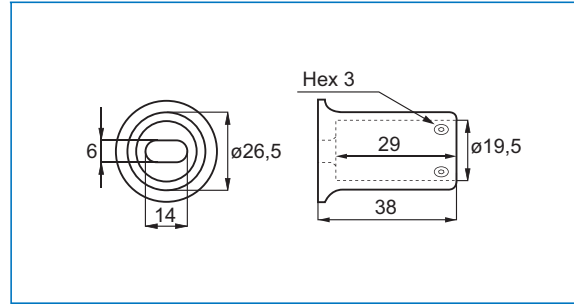
- high quality furniture fittings



WALL MOUNTING TUBE BRACKET

Stainless steel 304, brushed
Side-mounted
F/ø19 mm tube

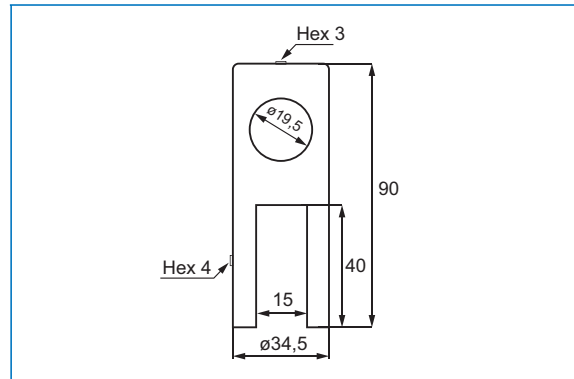
Item No.: # 22.23.217



BAR TO GLASS CENTRE BRACKET

Stainless steel 304, brushed
F/ø19 mm tube
w/black gaskets 2 x 1 mm & 2 x 2 mm
F/8-10 mm glass

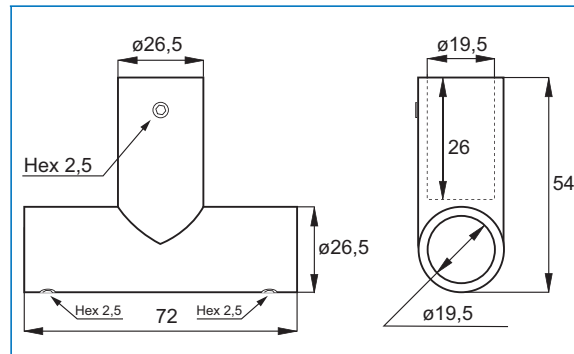
Item No.: # 22.23.205



T-SHAPED CONNECTOR

Stainless steel 304, brushed
F/ø19 mm tube
F/3 bars

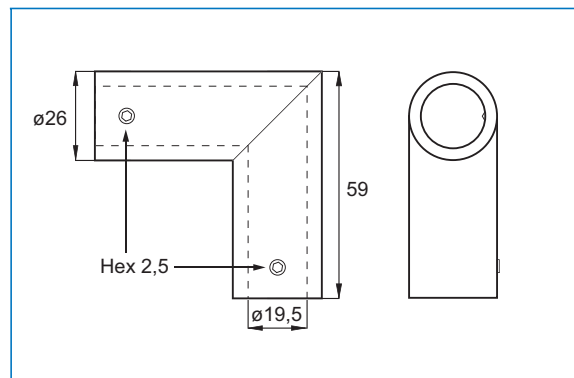
Item No.: # 22.23.215



BAR TO BAR CONNECTOR 90°

Stainless steel 304, brushed
F/ø19 mm tube

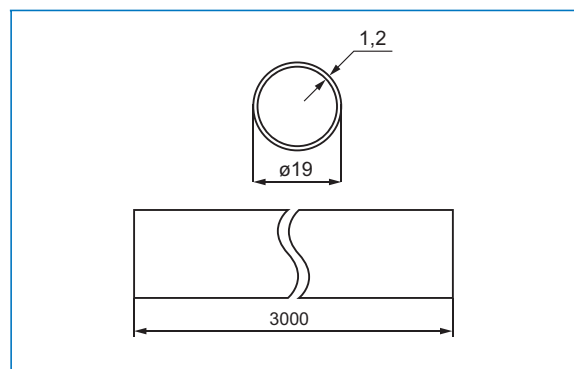
Item No.: # 22.23.210

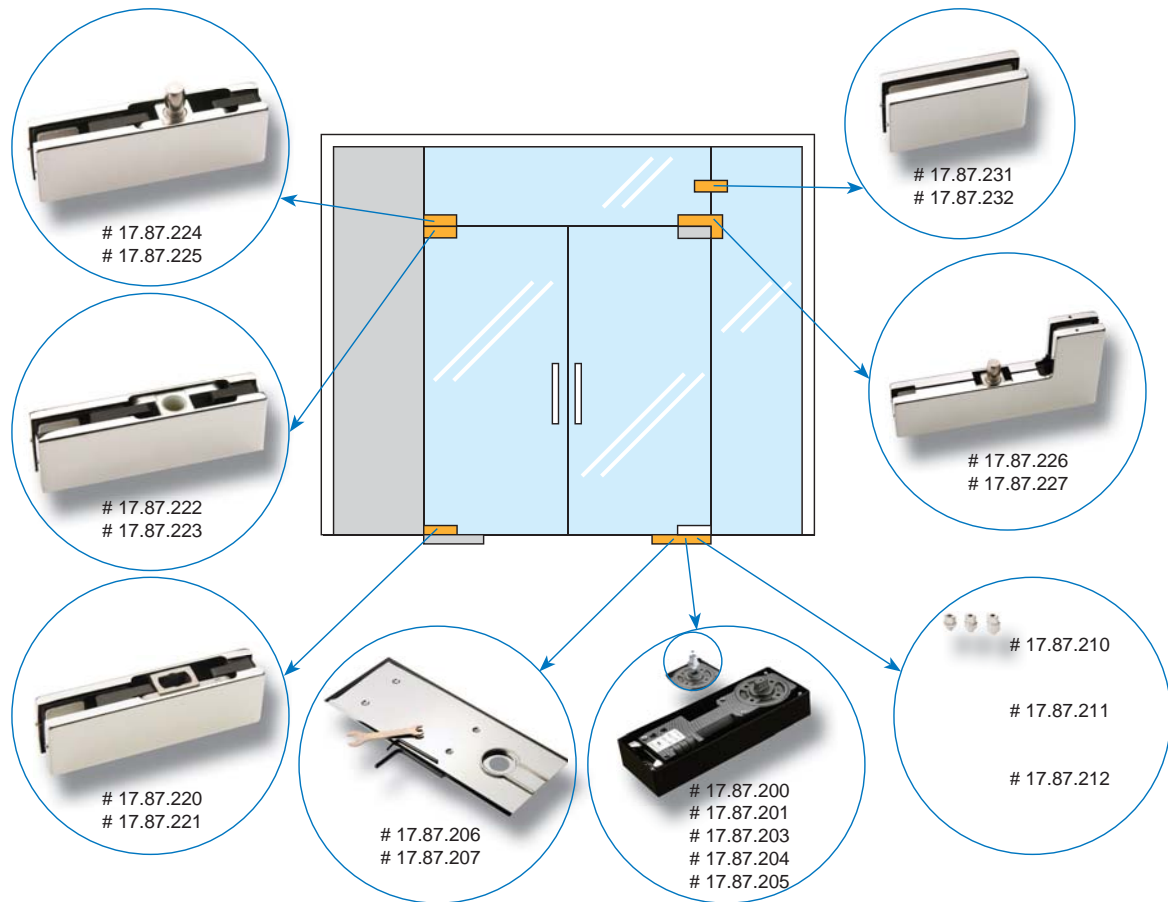


STAINLESS STEEL TUBE

Stainless steel 304, brushed
ø 19 x 3000 mm
1,2 mm thickness

Item No.: # 22.23.250





FLOOR SPRING "HEKLA"
+/- 116° OPENING

Features:

- W/stop at +/- 90°
- Adjustment of closing speed
+/- 90° to +/- 25 - 0°
- Floor spring box is 6 mm adjustable side
to side & up/down
- W/fixed or interchangeable spindle
- Built-in decompression valve
that prevents door from damage
in case of strong wind
- No cover plate

Material: Steel

- Size:** 50 x 295 x 106 mm
- Max door width:** 1100 mm
- Max opening:** +/- 116°
- Max load:** 135 kg
- Cycles:** 500.000

W/fixed 3 mm stainless steel spindle
(excl. cover plate) # 17.87.200

w/interchangeable 3 mm stainless steel
spindle
(excl. cover plate) # 17.87.201

Interchangeable
spindle

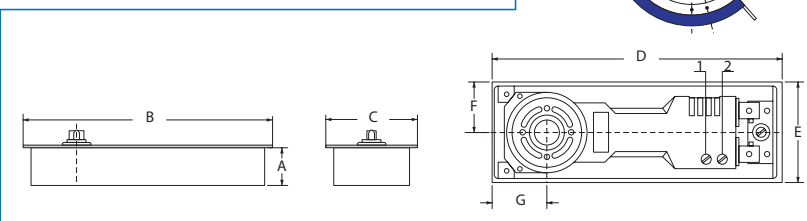
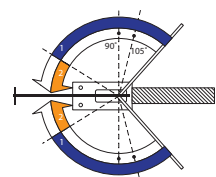


A	B	C	D	E	F	G
50	311	124	295	106	49	53-60



EN 1154 approved

1 section adjust 90° -25° closing speed
2 section adjust 25° -0° closing speed



FLOOR SPRING "KATLA" +/- 180° OPENING

- high quality furniture fittings



Features:

W/stop at +/- 90°. Over 90° stop at any point
Adjustment of closing speed
+/- 180 - 25° & +/- 25 - 0°
Floor spring box is 6 mm adjustable side to side & up/down
W/fixed or interchangeable spindle
Built-in decompression valve that prevents door from damage in case of strong wind
Especially suitable for double doors
No cover plate

Material: Steel

Size: 50 x 295 x 106 mm

Max door width: 1100 mm

Max opening: +/- 180°

Max load: 135 kg

Cycles: 500.000

W/fixed 3mm stainless steel spindle
(excl. cover plate) # 17.87.203

W/interchangeable 3 mm stainless steel spindle
(excl. cover plate) # 17.87.204

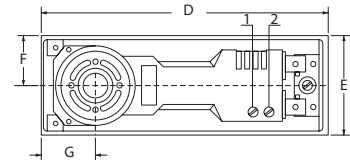
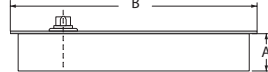
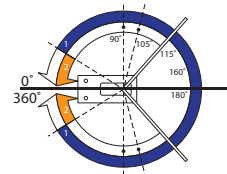
Interchangeable spindle



A	B	C	D	E	F	G
50	311	124	295	106	49	53-60

EN 1154 approved

1 section adjust 180° -25° closing speed
2 section adjust 25° -0° closing speed



FLOOR SPRING "VESTIA" – NO HOLD +/- 180° OPENING

Features:

No stop at +/-90 or +/-180° but hold/stop at any point after +/-110 to +/-180°.
Adjustment of closing speed 180 – 25° & from 25 – 0°
Floor spring box is 6 mm adjustable side to side & up/down.
W/Interchangeable spindle
Build-in decompression valve that prevents door from damage in case of strong wind
Especially suitable for double doors
No cover plate

Material: Steel

Size: 50 x 295 x 106 mm

Max door width: 1100 mm

Max opening: +/- 180°

Max load: 135 kg

Cycles: 500.000

W/interchangeable 3 mm stainless steel spindle.
(excl. cover plate) #17.87.205

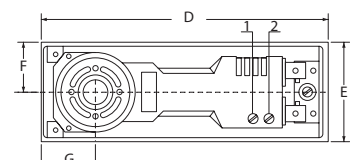
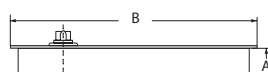
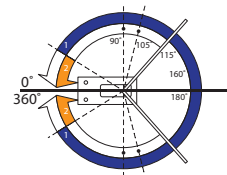
Interchangeable spindle



A	B	C	D	E	F	G
50	311	124	295	105	49	53-60

EN 1154 approved

1 section adjust 180° -25° closing speed
2 section adjust 25° -0° closing speed



COVER PLATE SS-304 F/FLOOR SPRINGS "HEKLA", "KATLA" & "VESTIA"

Feature:
Cover plate for floor springs

Material:
Stainless steel SS-304

Size: 311 x 124 x 1 mm (L/W/T)

Finish:
Polished # 17.87.206
Brushed # 17.87.207



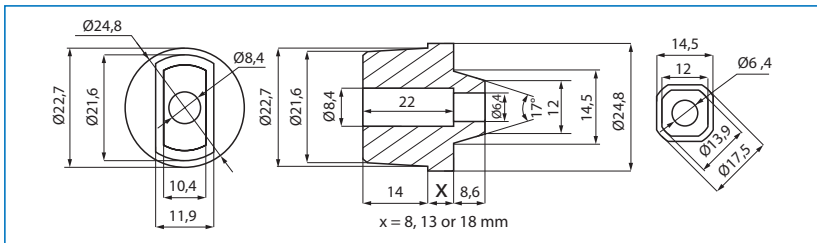
INTERCHANGEABLE SPINDLES F/FLOOR SPRINGS "HEKLA", "KATLA" & "VESTIA"

Feature:
Spindle for floor spring

Material: Steel

Size: 3, 8, 13 or 18 mm

Item No.:
3 mm # 17.87.260
8 mm # 17.87.210
13 mm # 17.87.211
18 mm # 17.87.212



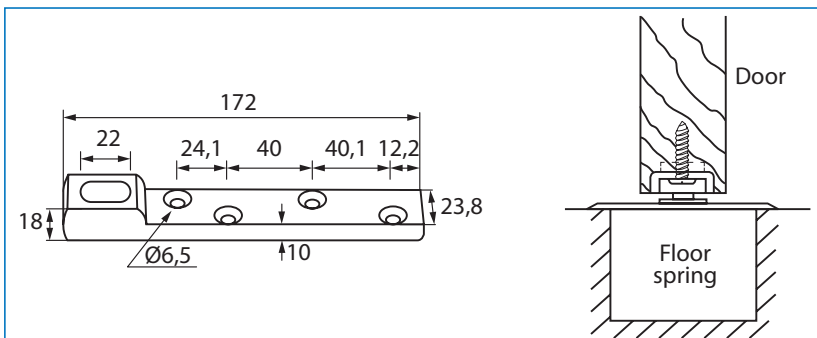
BOTTOM STRAP F/FLOOR SPRINGS FOR WOODEN, ALU OR METAL DOORS

Feature:
To be used together with floor spring Hekla, Ketla or Vestia for wooden, alu or metal doors

Material: Iron

Size: 23,8 x 172 mm (W/L)

Finish:
Raw # 17.87.213



ADJUSTABLE TOP CENTRE "C" - ZAMAK FOR WOODEN, ALU OR METAL DOORS

- high quality furniture fittings



Features:

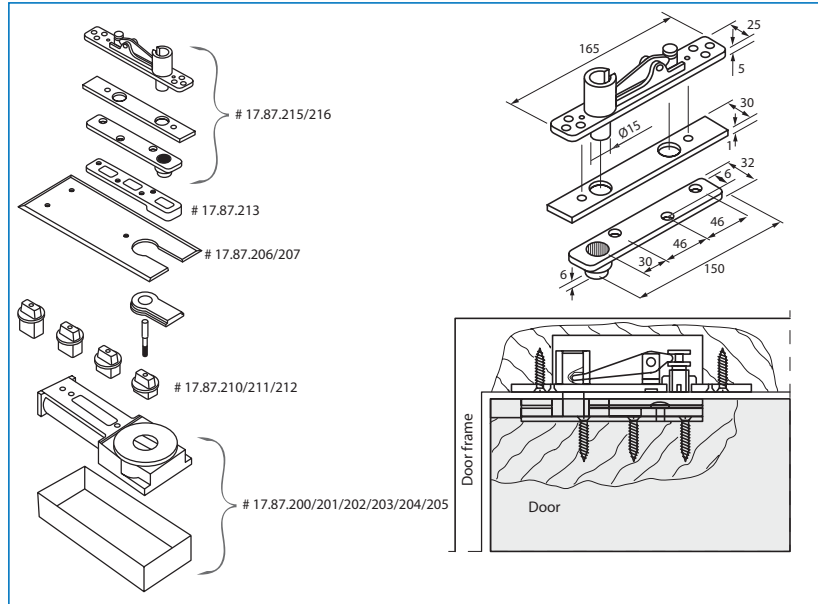
To be used together with floor spring Hekla, Ketla or Vestia for wooden, alu or metal doors

Material: Zamak

Size: 32 x 165 mm (W/L)

Finish:

Raw # 17.87.215



ADJUSTABLE TOP CENTRE "D" - IRON FOR WOODEN, ALU OR METAL DOORS

Features:

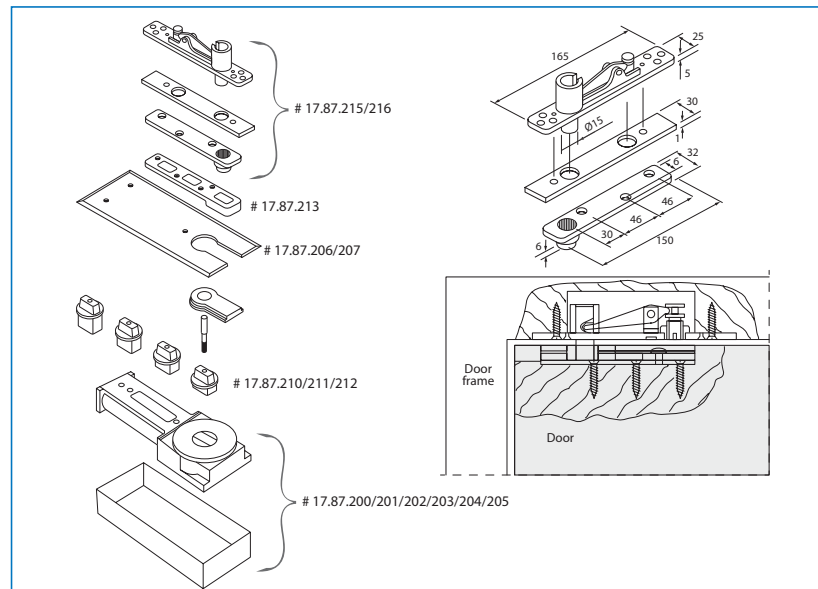
To be used together with floor spring Hekla, Ketla or Vestia for wooden, alu or metal doors

Material: Iron

Size: 32 x 165 mm (W/L)

Finish:

Raw # 17.87.216



FLOOR PIVOT BRACKET

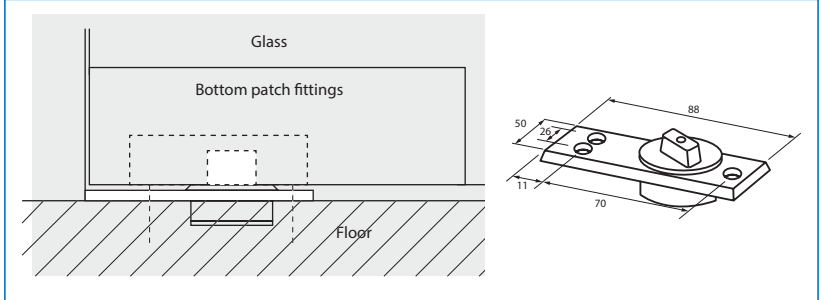
Features:
To be used together with bottom patch fitting "ZIP" W/ball bearing

Material: SS-304

Size: 50 x 88 mm (W/L)

Spindle: 12 x 22 mm - 3 mm gap

Finish:
Polished # 17.87.218-0
Brushed # 17.87.218-9



TOP PIVOT BRACKET

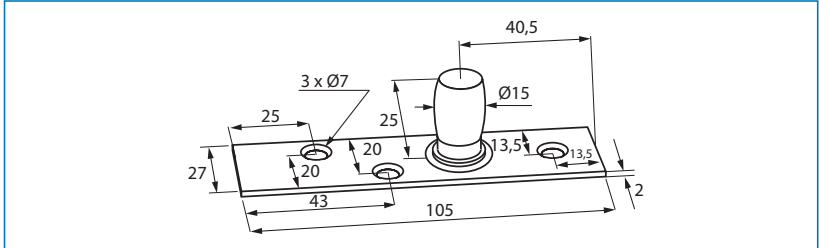
Features:
To be used together with top patch fitting "ZIP"

Material: SS-304

Size: 27 x 105 mm (W/L)

Pin: $\varnothing 15$ mm

Finish:
Polished # 17.87.219-0
Brushed # 17.87.219-9



TOP PIVOT BRACKET "SABINA"

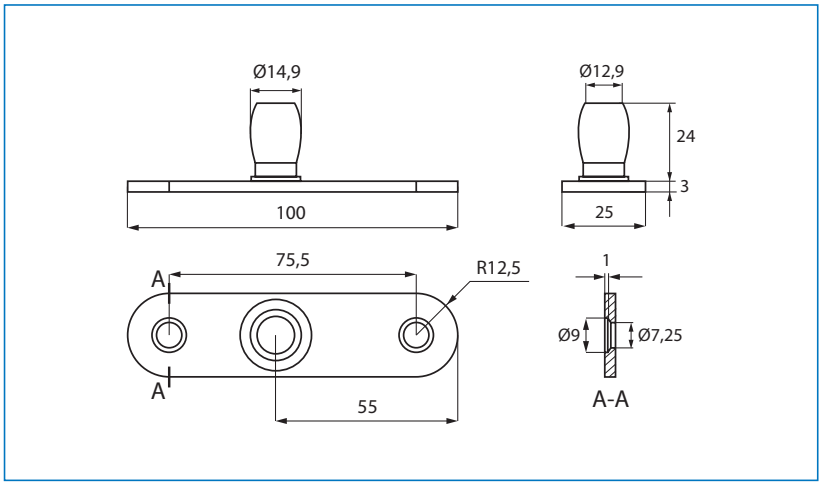
Features:
To be used together with top patch fitting "ZIP"

Material: SS-304

Size: 25 x 100 (W/L)

Pin: $\varnothing 14,9$ mm

Finish:
Brushed # 17.87.245



OVER PANEL GLASS CLAMP "ZIP"

- high quality furniture fittings

Features:

Drilling required

Material: Aluminium body & SS-304 cover

Size: 51 x 103 x 33 – 35 mm (H/L/W)

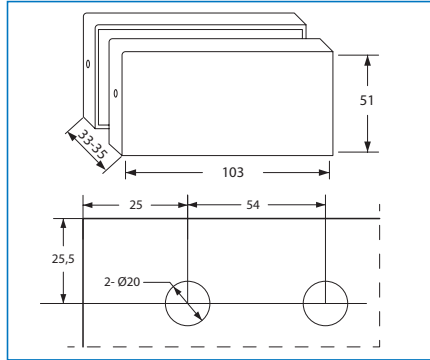
Glass thickness: 10-12 mm glass

Finish:

Polished # 17.87.231

Brushed # 17.87.232

Alu look # 17.87.232-9



WALL MOUNT GLASS CLAMP "ZIP"

Features:

Drilling required

Material: Aluminium body & SS-304 cover

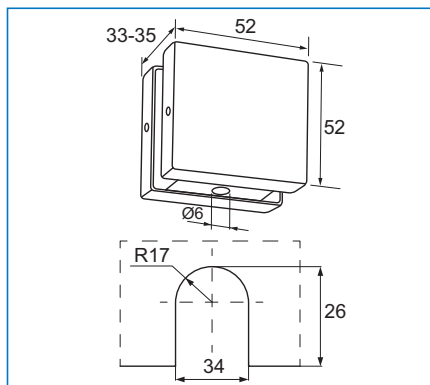
Size:

52 x 52 x 33 - 35 mm (H/L/W)

Glass thickness: 8 -12 mm glass

Item No.:

Brushed # 17.87.233



WALL MOUNT GLASS CLAMP "ZIP"

Features:

Drilling required

Material: Aluminium body & SS-304 cover

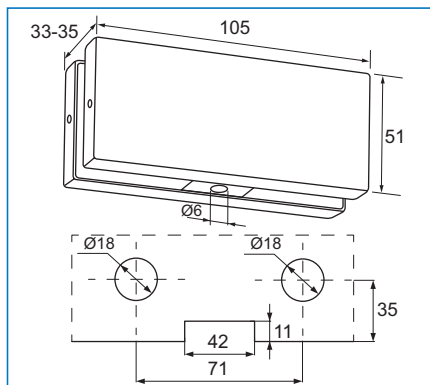
Size:

105 x 51 x 33 - 35 mm (H/L/W)

Glass thickness: 8 -12 mm glass

Item No.:

Brushed # 17.87.236



OVERPANEL CORNER PATCH FITTING "ZIP"

Features:

W/8mm horizontal adjustment

Cutting & drilling required

Material: Aluminium body & SS-304 cover

Size:

51 x 218 x 33 – 35 x 106 x 51 mm (H/L/W/H/L)

Glass thickness: 10-12 mm glass

Finish:

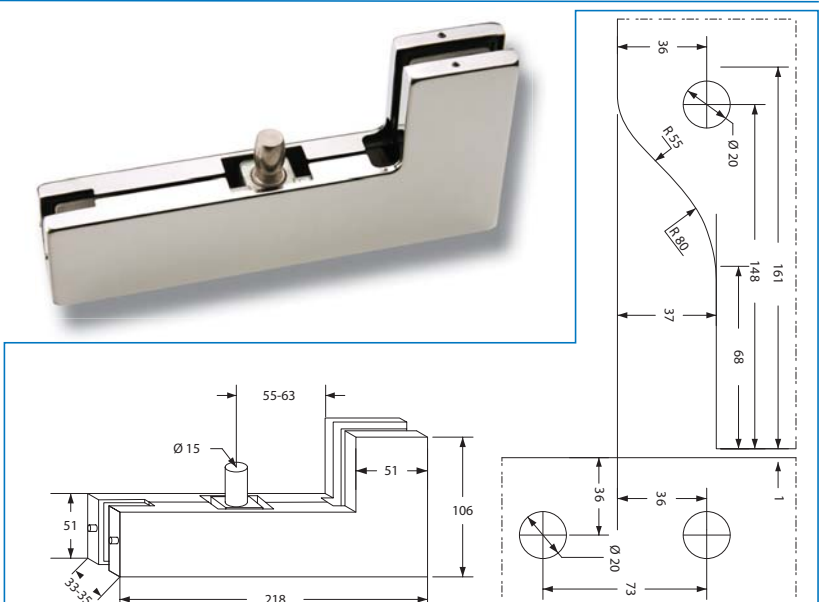
Polished # 17.87.226

Brushed # 17.87.227

If Alu look buy polished or brushed and add loose cover plates.

Item No.:

Alu look # 17.87.562-9



OVERPANEL PATCH FITTING "ZIP"

Features:

W/ 8 mm horizontal adjustment
Cutting & drilling required

Material: Aluminium body & SS-304 cover

Size: 51 x 164 x 33 – 35 mm (H/L/W)

Glass thickness: 10-12 mm glass

Item No.:

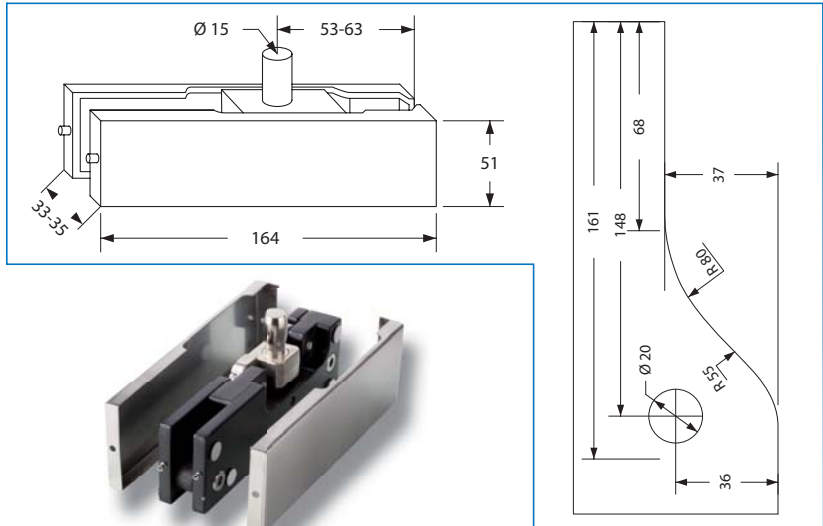
Body only # 17.87.352

Cover plates:

Polished # 17.87.561-0

Brushed # 17.87.561-8

Alu look # 17.87.561-9



TOP PATCH FITTING "ZIP"

Features:

W/8mm horizontal adjustment
Cutting & drilling required

Material: Aluminium body & SS-304 cover

Size: 51 x 164 x 33 – 35 mm (H/L/W)

Glass thickness: 10-12 mm glass

Item No.:

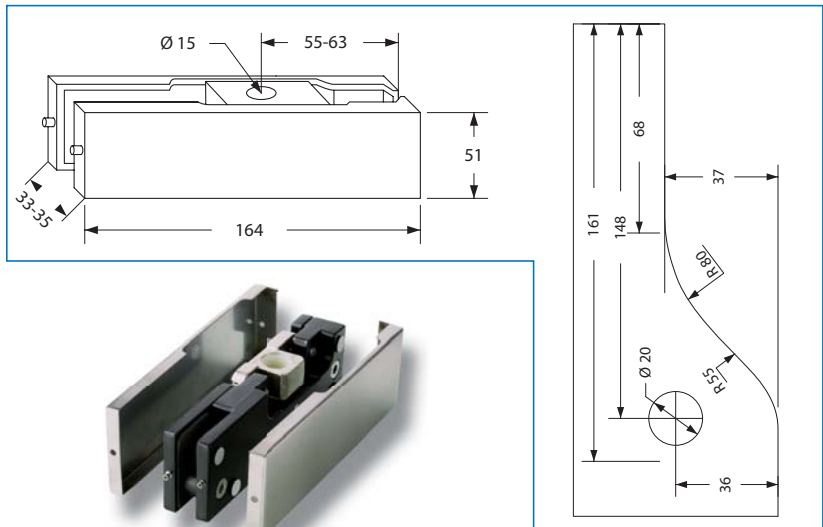
Body only # 17.87.351

Cover plates:

Polished # 17.87.561-0

Brushed # 17.87.561-8

Alu look # 17.87.561-9



BOTTOM PATCH FITTING "ZIP"

Features:

W/8mm horizontal adjustment
Cutting & drilling required

Material: Aluminium body & SS-304 cover

Size: 51 x 164 x 33 – 35 mm (H/L/W)

Glass thickness: 10-12 mm glass

Item No.:

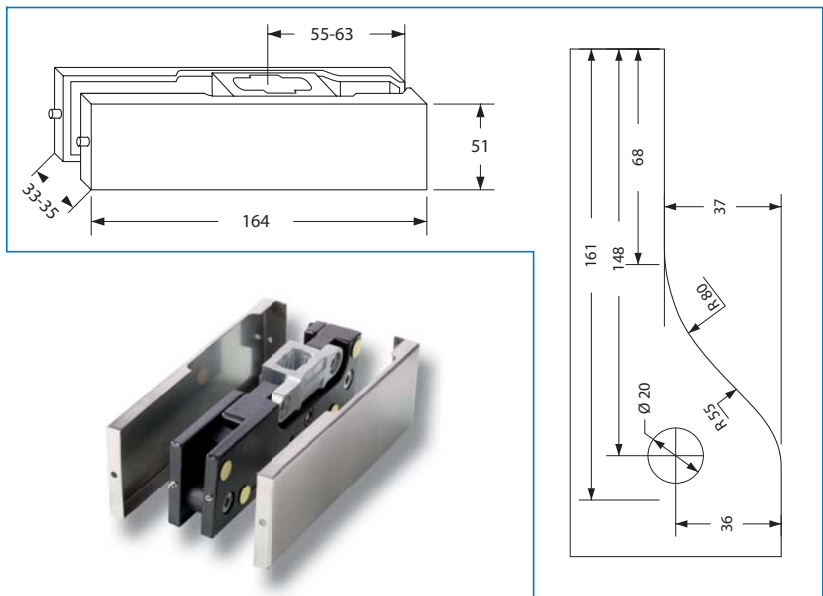
Body only # 17.87.350

Cover plates:

Polished # 17.87.561-0

Brushed # 17.87.561-8

Alu look # 17.87.561-9



WALL MOUNTING FITTING W/BRACKET "ZIP"

- high quality furniture fittings

Features:

Drilling required

Material:

Aluminium body & SS-304 cover

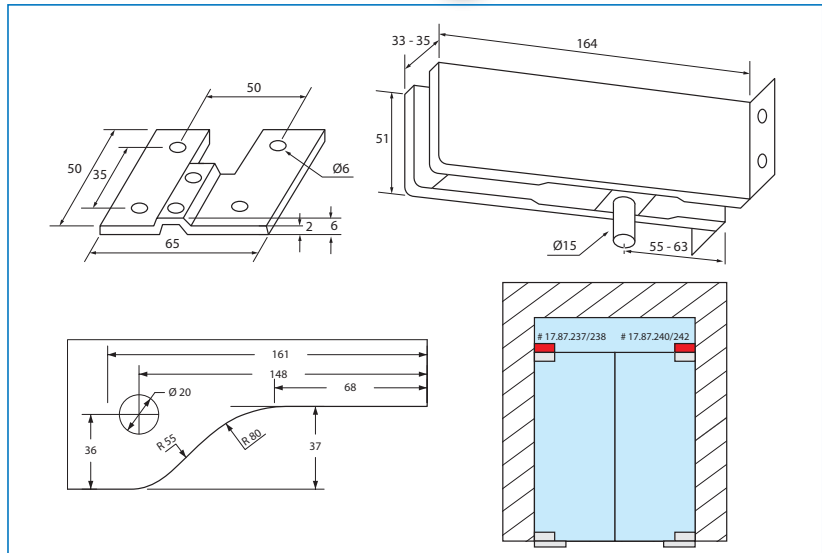
Size: 51 x 164 x 33 – 35 mm (H/L/W)

Glass thickness: 10-12 mm glass

Finish:

Polished # 17.87.237

Brushed # 17.87.238



WALL MOUNTING FITTING W/EXPANSION PLUG "ZIP"

Features:

Drilling required

Material:

Aluminium body & SS-304 cover

Size: 51 x 164 x 33 – 35 mm (H/L/W)

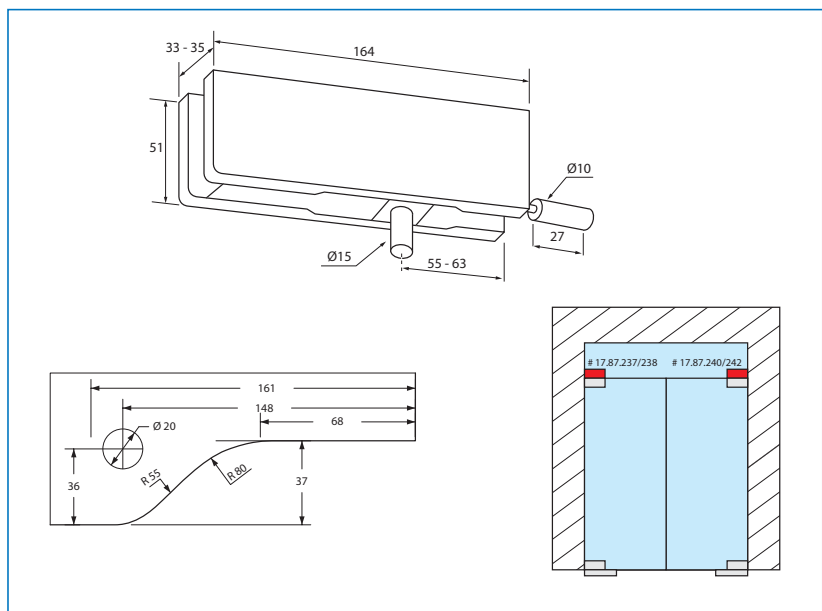
Glass thickness: 10-12 mm glass

Finish:

Polished # 17.87.240

Brushed # 17.87.241

Alu look # 17.87.242



CORNER CONNECTOR "ZIP"

Features:

Drilling required

Material:

Aluminium body & SS-304 cover

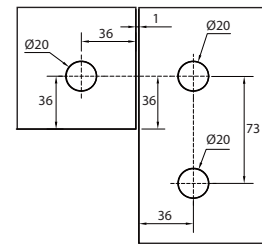
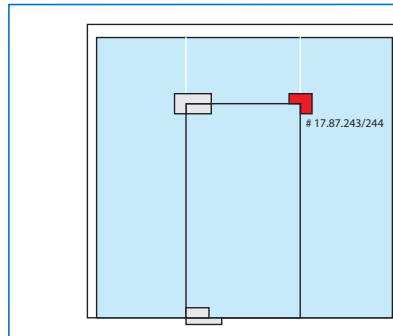
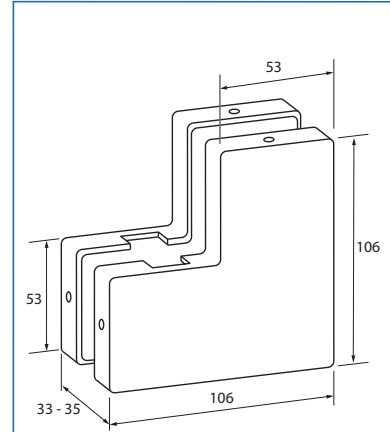
Size:

53 x 106 x 33 – 35 mm x 53 x 106 mm
(H/L/W/H/L)

Glass thickness: 10-12 mm glass

Finish:

Polished # 17.87.243
Brushed # 17.87.244



CENTRE LOCK "ZIP"

Features:

Cutting/drilling required

Material:

Aluminium body & SS-304 cover

Size: 51 x 164 x 33 – 35 mm (H/L/W)

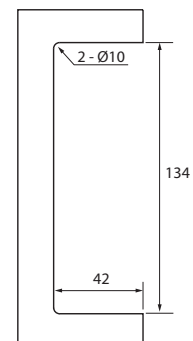
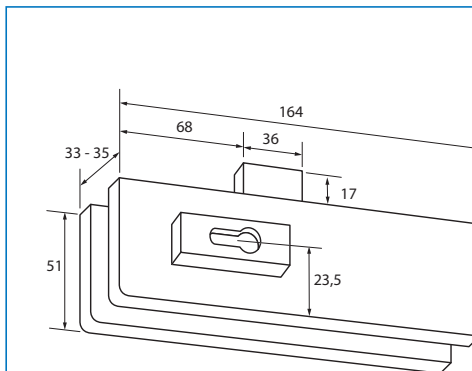
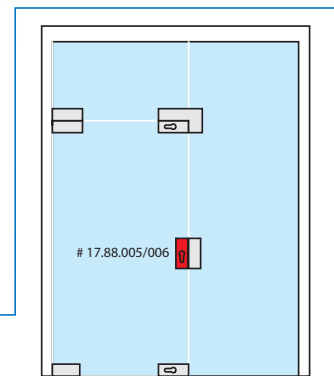
Glass thickness: 10-12 mm glass

1 lock consists of:

- Lock body & cylinder
- 4 nickel plated brass keys
- 1 stainless steel striking plate 24 x 90 mm (W/L)
- 2 stainless steel screws & plastic wall plugs

Finish:

Polished # 17.88.005
Brushed # 17.88.006



CENTRE LOCK STRIKER BOX "ZIP" F/DOUBLE DOORS

- high quality furniture fittings



Features:

Cutting/drilling required
To be used with centre lock "ZIP"

Material:

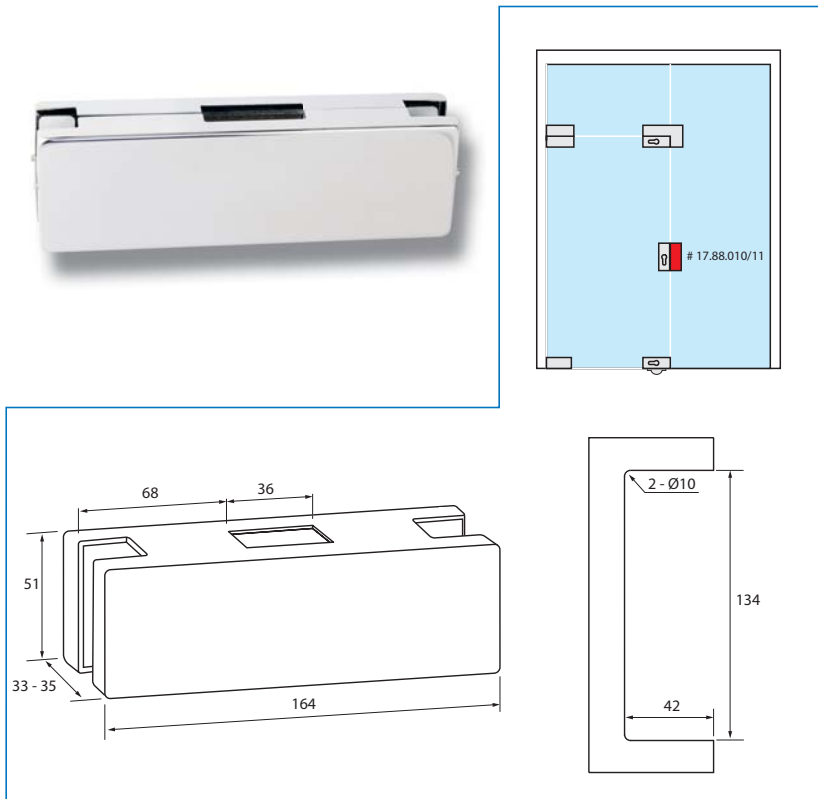
Aluminium body & SS-304 cover

Size: 51 x 164 x 33 – 35 mm (H/L/W)

Glass thickness: 10-12 mm glass

Finish:

Polished # 17.88.010
Brushed # 17.88.011



CORNER LOCK "ZIP"

Features:

Cutting/drilling required

Material:

Aluminium body & SS-304 cover plates

Size: 51 x 164 x 33 - 35 mm (H/L/W)

Glass thickness: 10-12 mm glass

Item No.:

Body only # 17.88.050

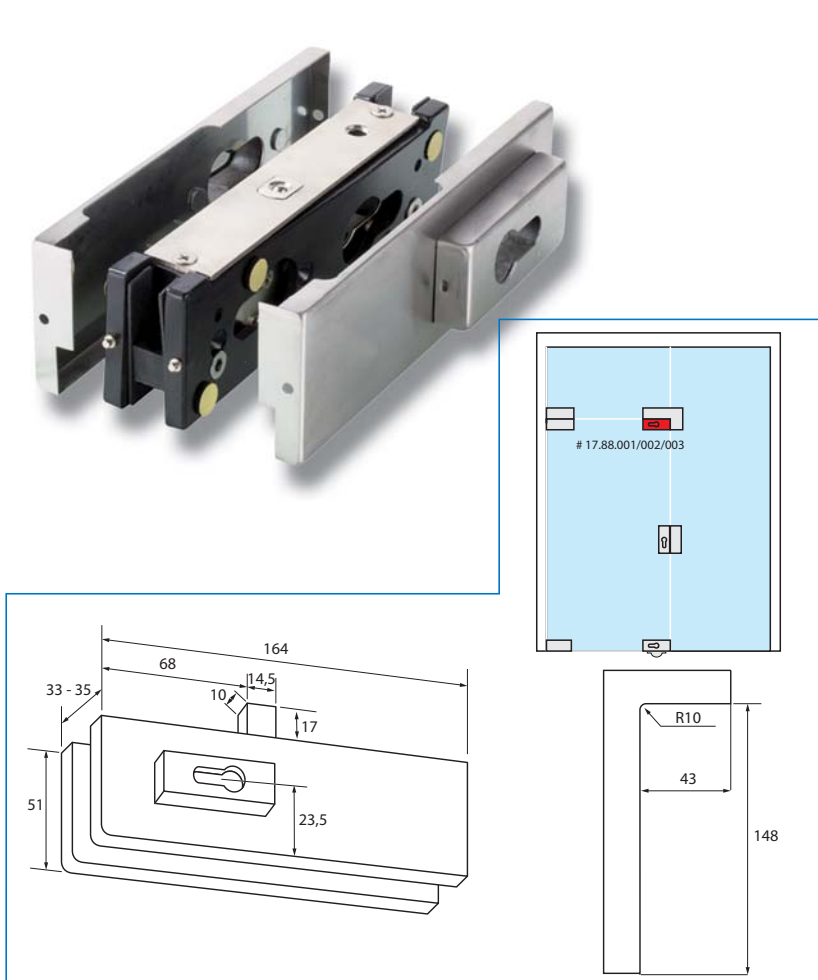
Cover plates:

Polished # 17.87.564-0
Brushed # 17.87.564-8
Alu-Look # 17.87.564-9

Additional:

Brass Profile Cylinder
62 mm (26+10+26) - Yale key way

SS-Look # 14.60.037



OVERPANEL CORNER LOCK STRIKER "ZIP" F/DOUBLE DOORS

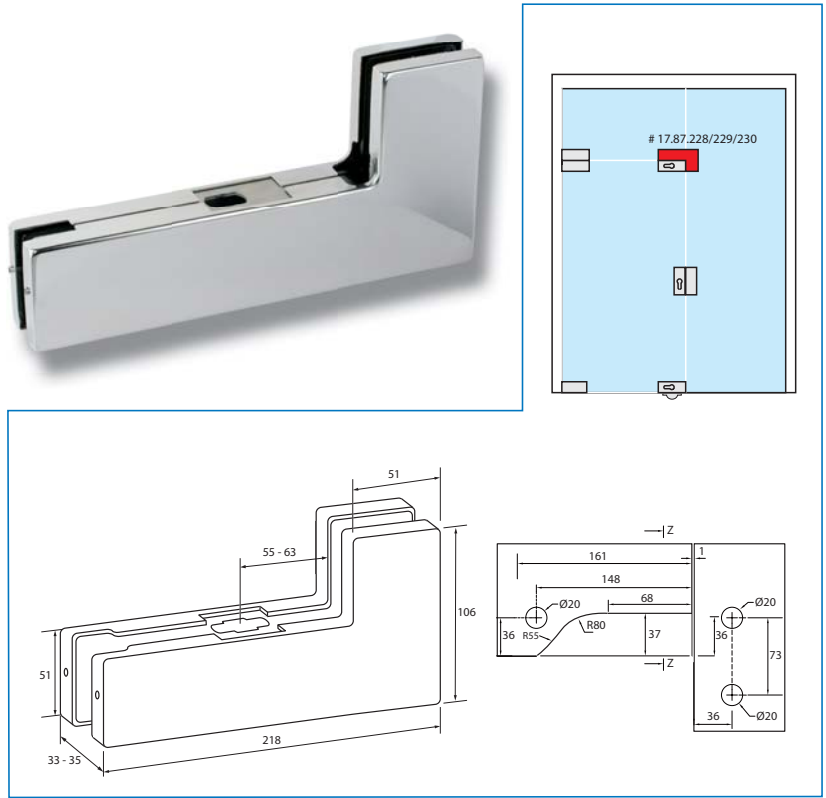
Features:
Drilling required
To be used with corner lock "ZIP"

Material:
Aluminium body & SS-304 cover

Size:
51 x 218 x 33 – 35 mm x 51 x 106 mm
(H/L/W/H/L)

Glass thickness: 10-12 mm glass

Finish:
Polished # 17.87.228
Brushed # 17.87.229
Alu look # 17.87.230



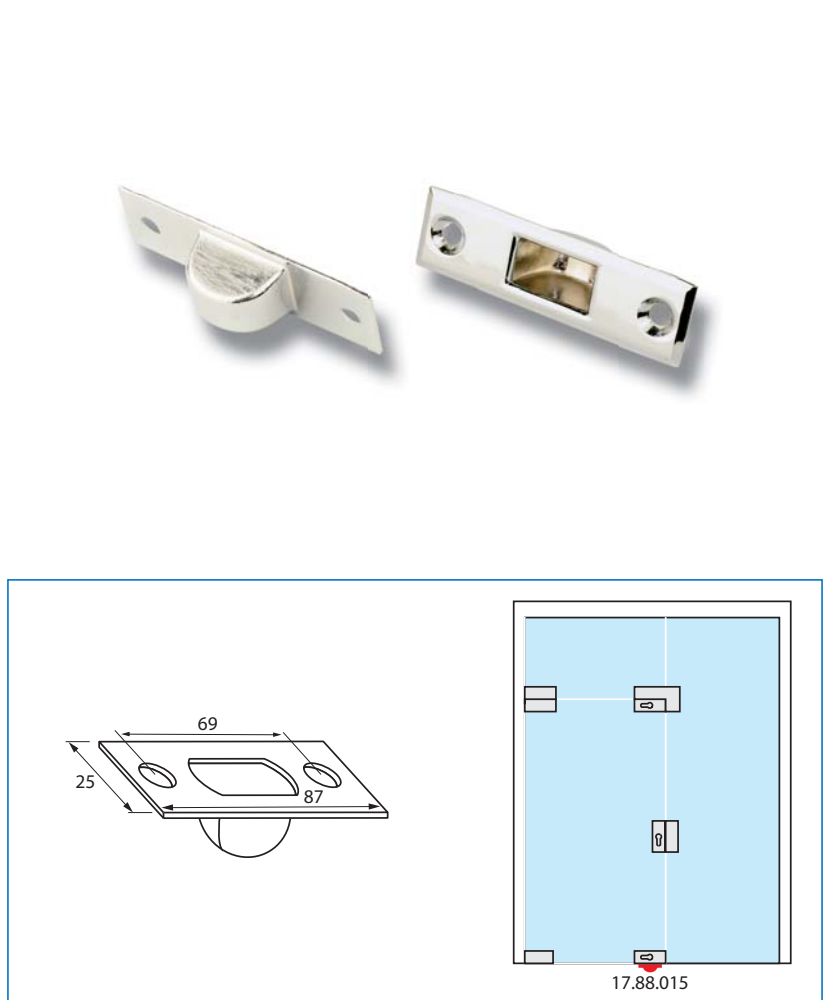
CORNER LOCK FLOOR STRIKER

Features:
Floor striker to be used
with corner lock "ZIP"

Material: SS-304

Size: 87 x 25 x 20mm (L/W/H)

Finish:
Polished # 17.88.015



BOTTOM PATCH FITTING "LEX"

- high quality furniture fittings

Features:

W/8 mm horizontal adjustment
Cutting & drilling required

Material:

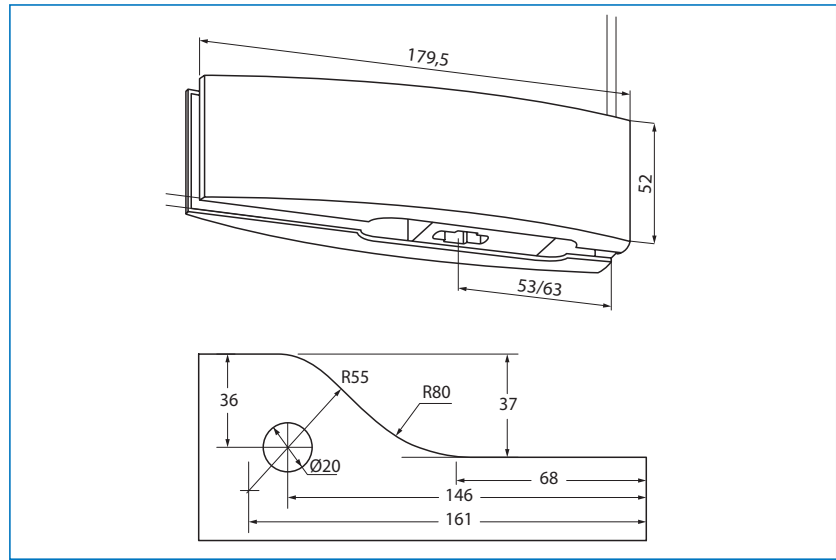
Aluminium body & SS-304 cover

Size: 52 x 179,5 x 45 mm (H/L/W)

Glass thickness: 10 - 12 mm glass

Finish:

Brushed # 17.87.321



TOP PATCH FITTING "LEX"

Features:

W/8 mm horizontal adjustment
Cutting & drilling required

Material:

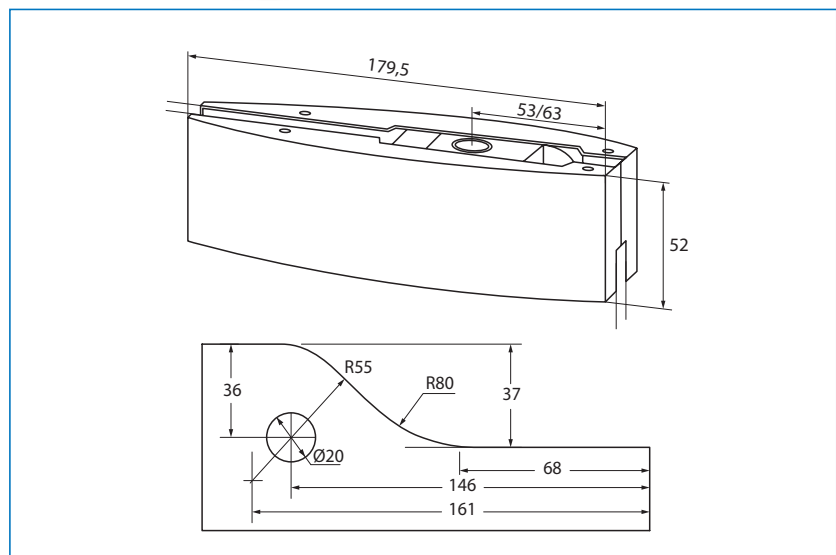
Aluminium body & SS-304 cover

Size: 52 x 179,5 x 45 mm (H/L/W)

Glass thickness: 10 - 12 mm glass

Finish:

Brushed # 17.87.323



OVERPANEL PATCH FITTING "LEX"

Features:

W/8 mm horizontal adjustment
Cutting & drilling required

Material:

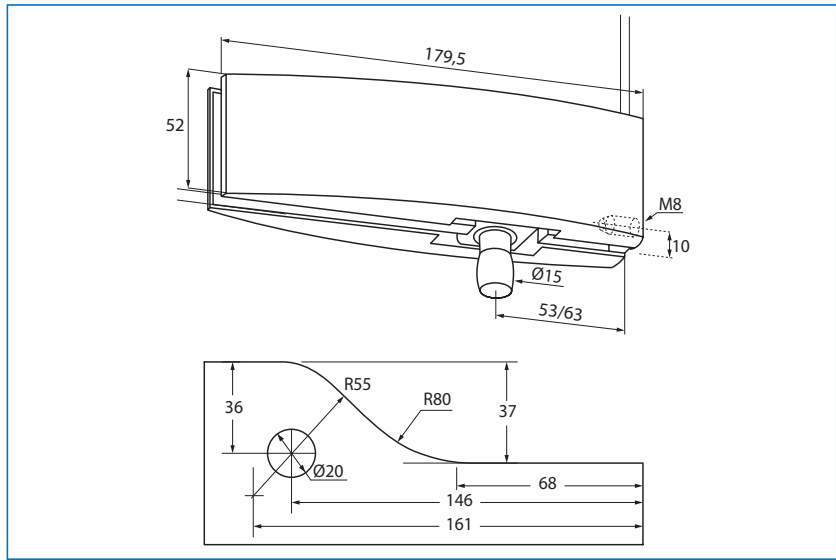
Aluminium body & SS-304 cover

Size: 52 x 179,5 x 45 mm (H/L/W)

Glass thickness: 10 - 12 mm glass

Finish:

Brushed # 17.87.325



OVERPANEL CORNER PATCH FITTING "LEX"

Features:

W/8 mm horizontal adjustment
Cutting & drilling required

Material:

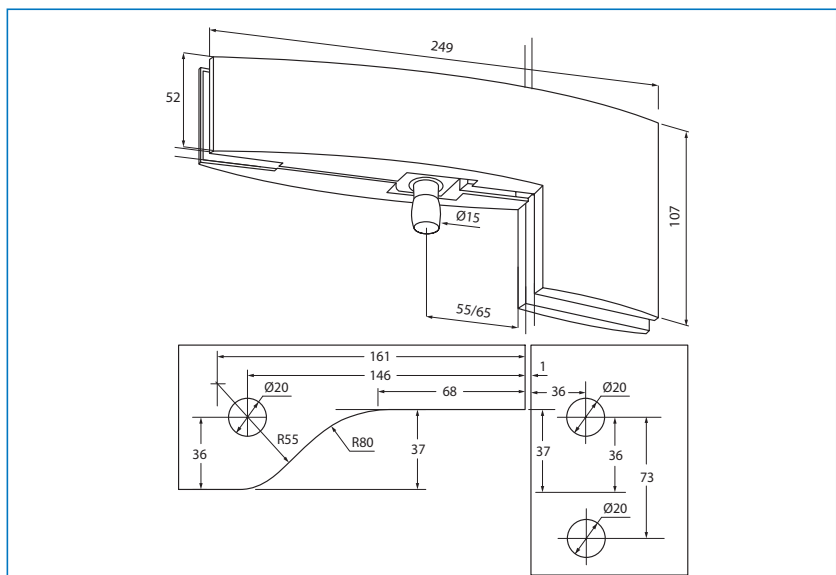
Aluminium body & SS-304 cover

Size: 52 x 249 x 45 mm x 107 X 52 mm
(H/L/W/H/L)

Glass thickness: 10-12 mm glass

Finish:

Brushed # 17.87.327



WALL MOUNTING FITTING "LEX"

- high quality furniture fittings



Features:

W/8 mm horizontal adjustment
Cutting & drilling required

Material:

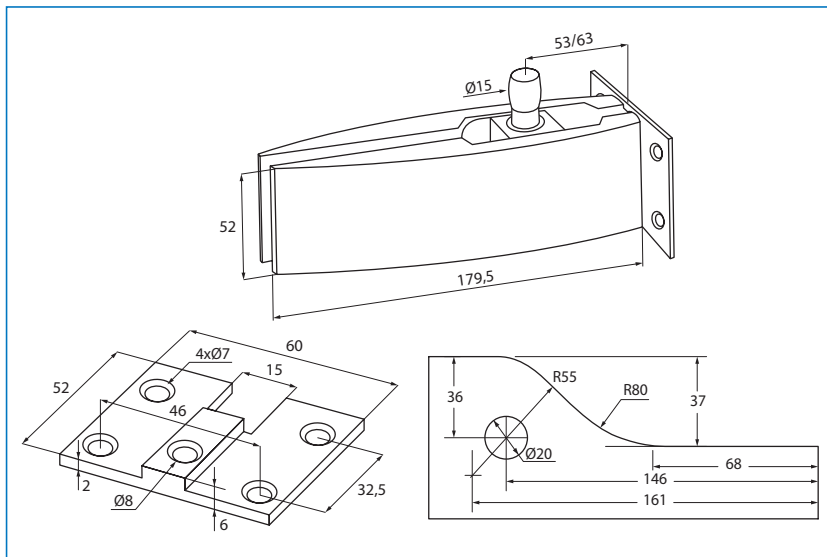
Aluminium body & SS-304 cover

Size: 52 x 179,5 x 45 mm (H/L/W)

Glass thickness: 10 - 12 mm glass

Finish:

Brushed # 17.87.338



CORNER CONNECTOR "LEX"

Features:

Cutting & drilling required

Material:

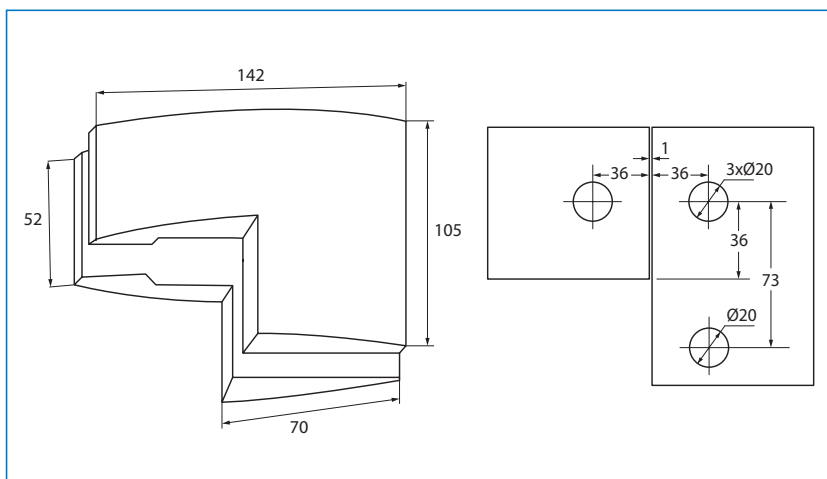
Aluminium body & SS-304 cover

Size: 52 x 142 x 35 mm x 105 x 70 mm
(H/L/W/H/L)

Glass thickness: 10 - 12 mm glass

Finish:

Brushed # 17.87.344



BOTTOM LOCK "LEX-B"

Features:
Cutting & drilling required

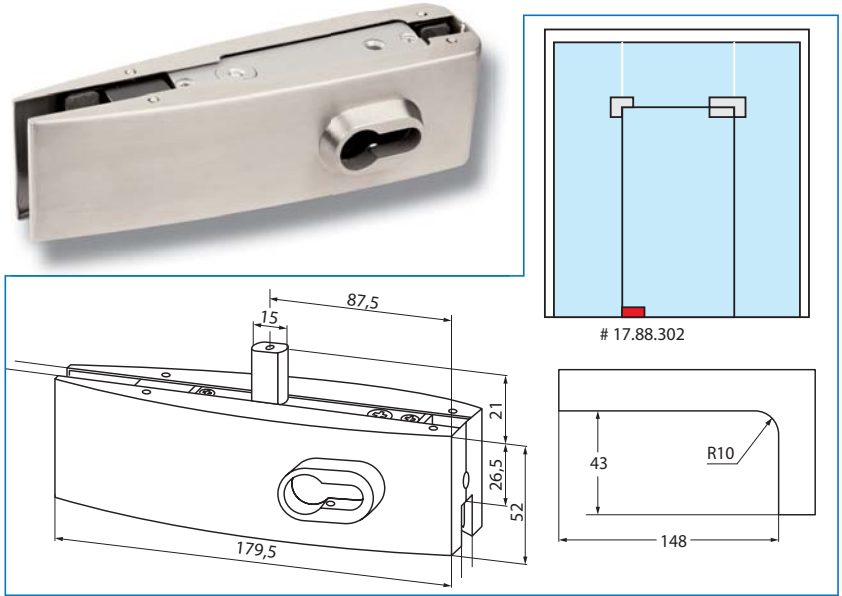
Material:
Aluminium body & SS-304 cover

Size: 52 x 179,5 x 45 mm(H/L/W)

Glass thickness: 10 - 12 mm glass

Finish:
Brushed # 17.88.302

Additional:
Brass Profile Cylinder
62 mm (26+10+26) – Yale key way
SS-Look # 14.60.037



CENTRE LOCK "LEX-C"

Features:
Cutting & drilling required

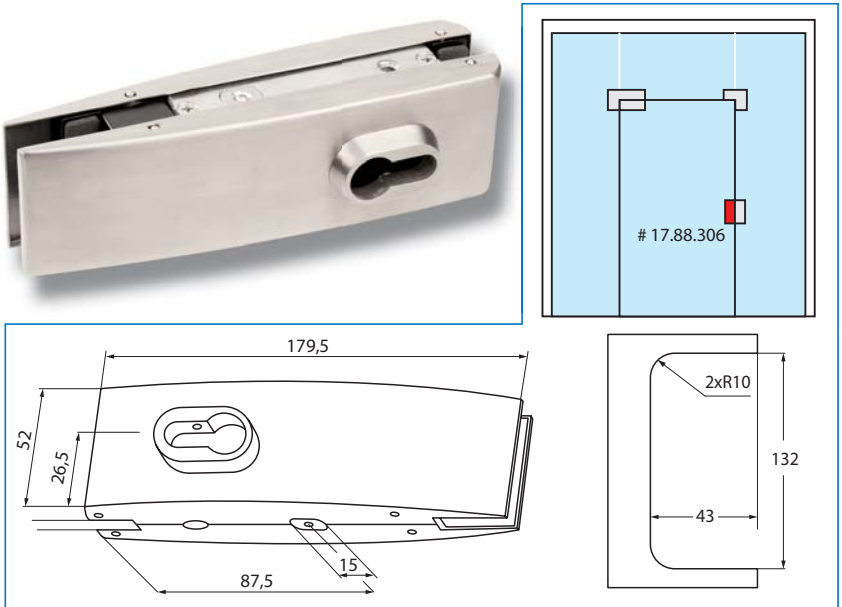
Material:
Aluminium body & SS-304 cover

Size: 52 x 179,5 x 45 mm (H/L/W)

Glass thickness: 10 - 12 mm glass

Finish:
Brushed # 17.88.306

Additional:
Brass Profile Cylinder
62 mm (26+10+26) – Yale key way
SS-Look # 14.60.037



PATCH LOCK STRIKER FOR LOCK "LEX"

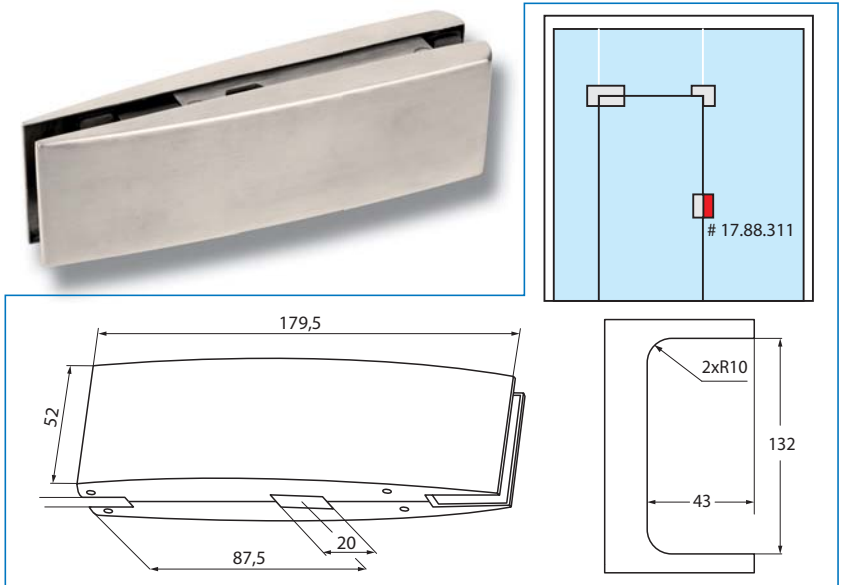
Features:
Cutting & drilling required

Material:
Aluminium body & SS-304 cover

Size: 52 x 179,5 x 45 mm (H/L/W)

Glass thickness: 10 - 12 mm glass

Finish:
Brushed # 17.88.311



GLASS DOOR LOCK "LEX"

- high quality furniture fittings

Description:

Glass door lock for 8 - 12 mm glass.
Zamak lock body.
With or without cylinder hole.
With lever handle

Material:

Zamak

Finish:

Stainless steel 304 - brushed

Item No:

W/Cylinder hole # 14.60.670

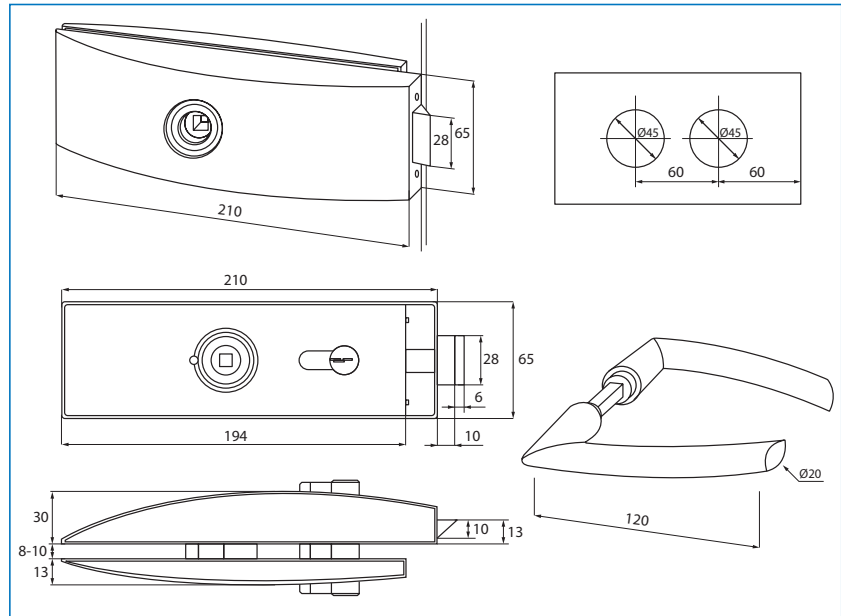
Without cylinder hole # 14.60.671

Additional:

Brass Profile Cylinder
62 mm (26+10+26) – Yale key way

SS-Look

14.60.037



STRIKER FOR GLASS DOOR LOCK "LEX"

Description:

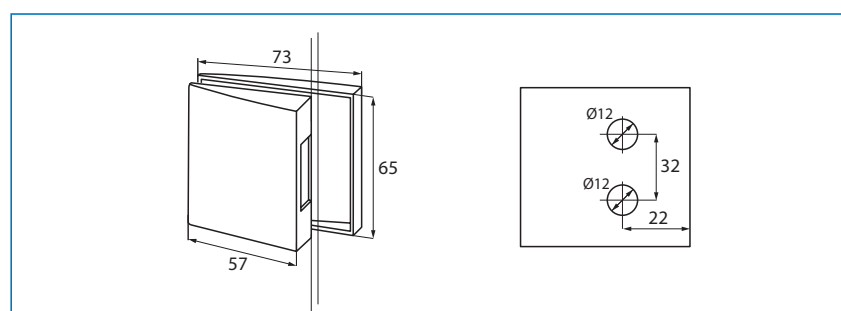
Striker, zamak, for double glass doors,
8 - 12 mm glass.

Finish:

Stainless steel 304 - brushed

Item No:

14.60.672



GLASS DOOR LOCK "FRIGG" - NO DRILLING/CUTTING

Description:

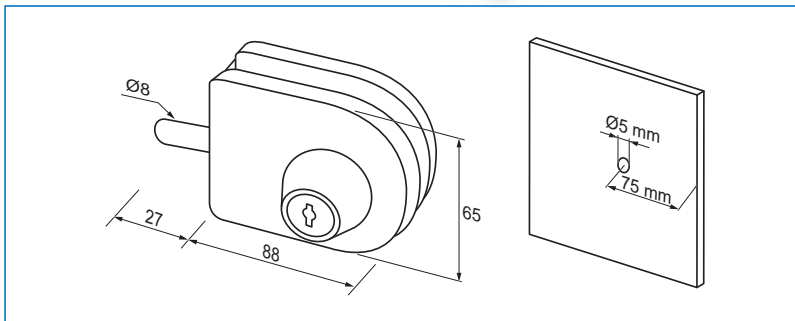
Glass door lock for 10 - 12 mm glass.
No cutting or drilling needed, zamak lock body, with striker, cylinder & 3 nickel plated brass keys.

Finish:

Stainless steel 304 - brushed

Item No:

14.09.802



GLASS DOOR LOCK "TYR"

Description:

Glass door lock for 8 - 12 mm glass, zamak lock body, with small striker, without cylinder & keys.

Finish:

Stainless steel 304 - brushed

Item No:

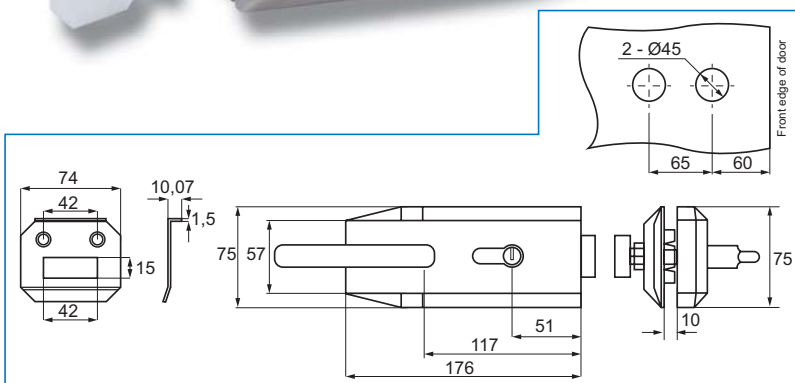
Glass Door Lock "TYR" Left # 14.60.637
Glass Door Lock "TYR" Right # 14.60.638

Additional:

Brass Profile Cylinder
62 mm (26+10+26) - Yale key way

SS-lock

14.60.037



STRIKER FOR "TYR" GLASS DOOR LOCK

Description:

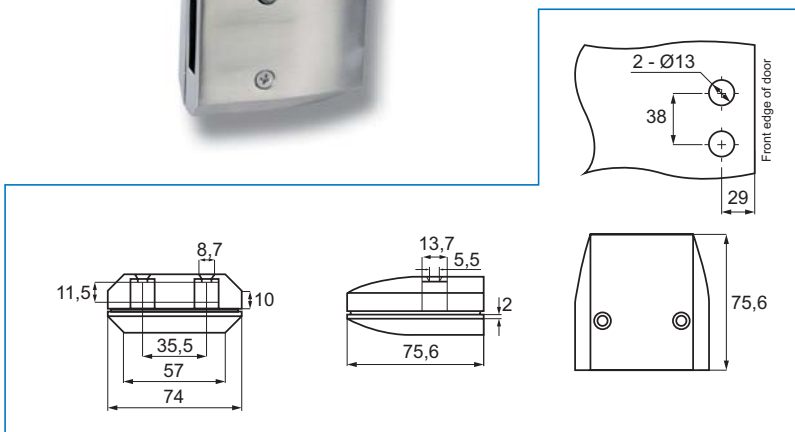
Striker, zamak, for double glass doors, 8-12 mm glass.

Finish:

Stainless steel 304 - brushed

Item No:

14.60.660



GLASS DOOR LOCK "BRUCE"

- high quality furniture fittings



Description:

Glass door lock for 8 -12 mm glass, zamak body, without handle, cylinder & striker

Material:

Zamak body & SS-304 and aluminium cover plates

Item No.:

Body only # 14.60.695

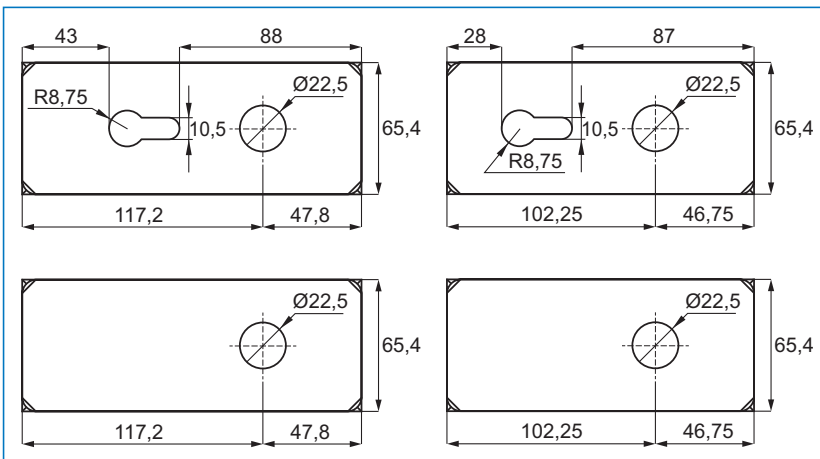
Cover Plates w/handle & cylinder hole:

SS-304 - brushed # 14.60.686
 Alu Look - anodized # 14.60.688

Cover Plates w/handle hole only:

SS-304 - brushed # 14.60.687
 Alu Look - anodized # 14.60.689

Handles & cylinders to be bought separately



STRIKER F/GLASS DOOR LOCK "BRUCE"

Description:

Striker, zamak, for double doors, 8 - 12 mm glass

Material:

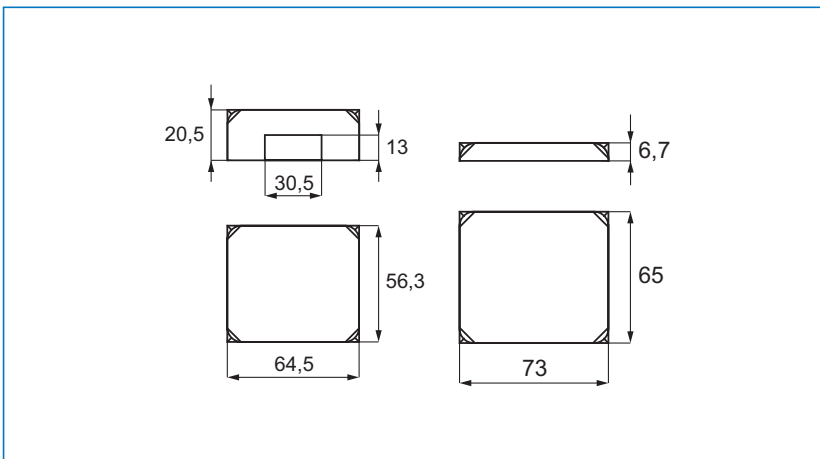
Zamak body & SS-304 and aluminium cover plates

Item No.:

Body only # 14.60.696

Cover Plates:

SS-304 - brushed # 14.60.690
 Alu. - anodized # 14.60.691



GLASS DOOR LOCK "CLARK"

Description:
Glass door lock for 8 -12 mm glass, zamak body, without handle, cylinder & striker

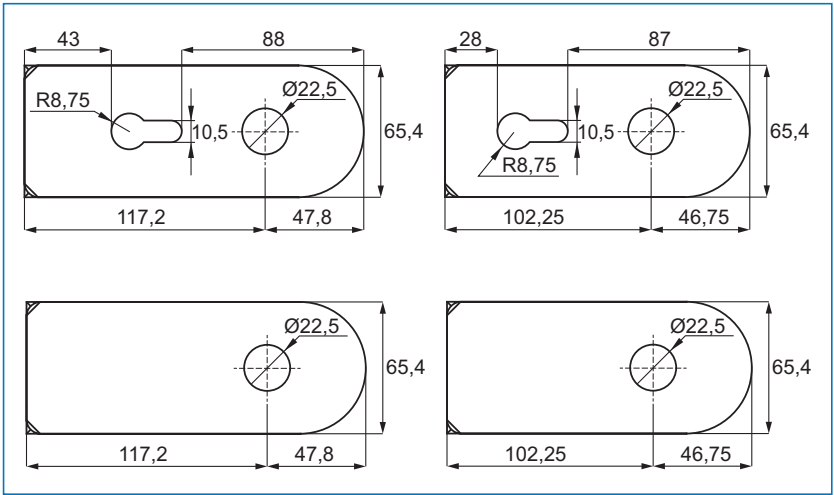
Material:
Zamak body & SS-304 and aluminium cover plates

Item No.:
Body only # 14.60.695

Cover Plates w/handle & Cylinder holes:
SS-304 - brushed # 14.60.680
Alu. - anodized # 14.60.682

Cover Plates w/handle hole:
SS-304 - brushed # 14.60.681
Alu. - anodized # 14.60.688

Handles & cylinders to be bought separately



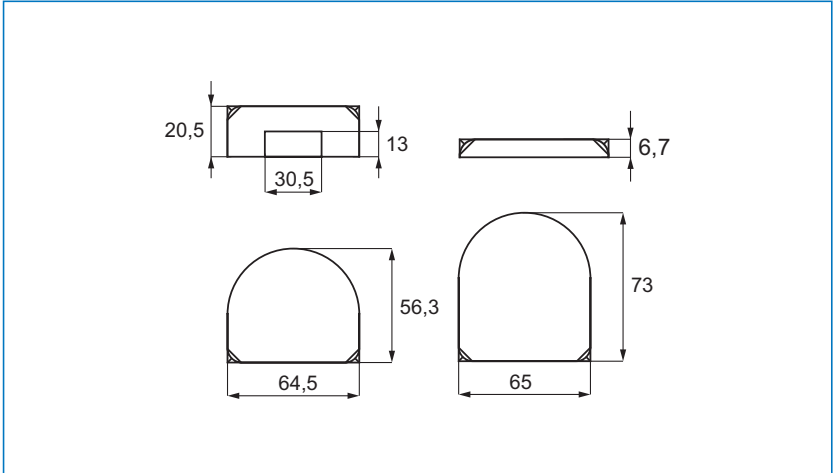
STRIKER F/GLASS DOOR LOCK "CLARK"

Description:
Striker, zamak, for double doors, 8 – 12 mm glass

Material:
Zamak body & SS-304 and aluminium cover plates

Item No.:
Body only # 14.60.696

Cover Plates:
SS-304 - brushed # 14.60.684
Alu. - anodized # 14.60.685



STRIKER "LARGE" F/GLASS DOOR LOCK "CLARK"

- high quality furniture fittings

Description:

Striker for double doors
8 - 12 mm glass

Material:

Zamak body & SS-304
and aluminium cover plates

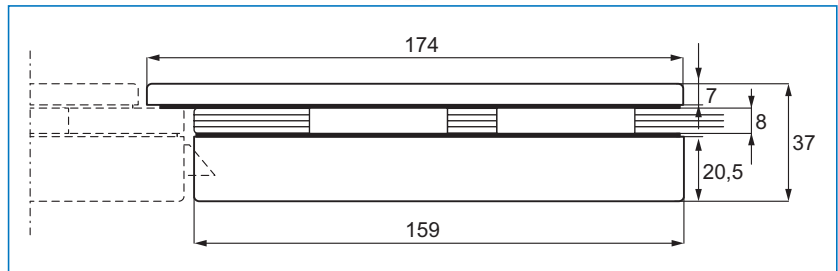
Item No.:

Body only # 14.60.697

Cover Plates:

SS-304 - brushed # 14.60.693

Alu. - anodized # 14.60.694



DOOR FRAME STRIKER F/"BRUCE" & "CLARK"

Description:

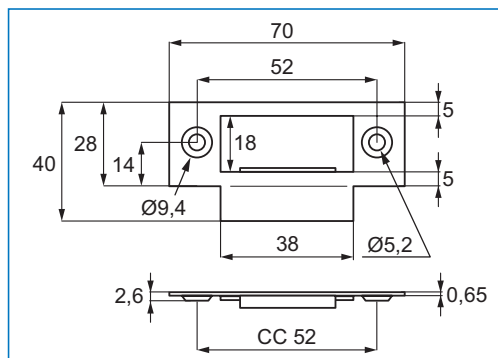
Striker for door frames
With overlay

Material:

SS-201 - brushed

Item No.:

14.60.669



TOILET GLASS DOOR LOCK "CLARK"

Description:

Lock for toilet cubicles
8 - 12 mm glass
Universal for left & right hand doors
Slam function

Material:

Zamak body & SS-304
and aluminium cover plates

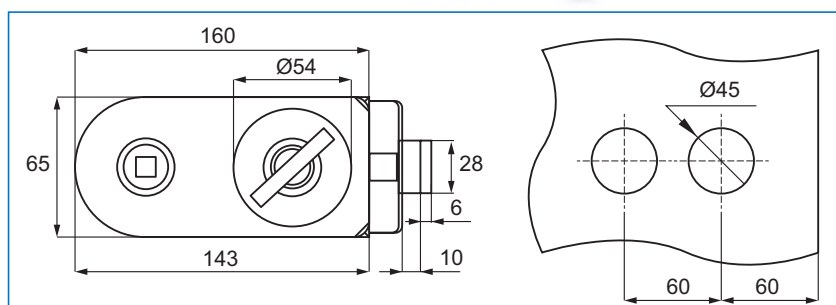
Size: 65 x 160 mm

Item No.:

SS-304 - brushed # 14.60.655

Alu. - anodized # 14.60.656

Handles to be bought separately



GLASS DOOR LOCK "ROBIN"

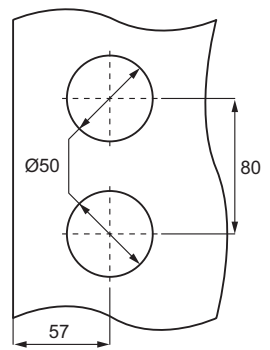
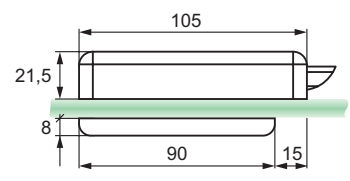
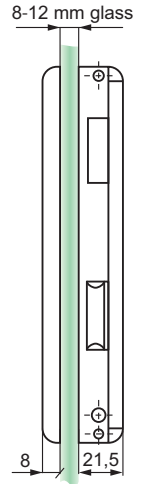
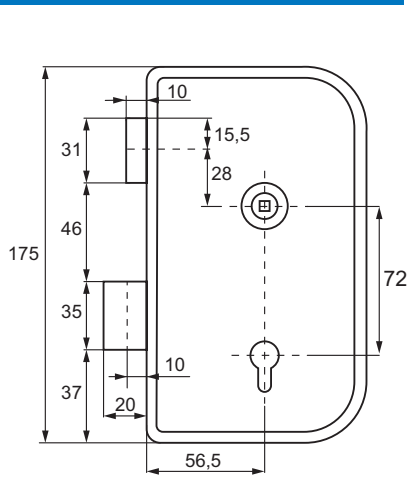
Description:
 Glass door lock for 8 - 12 mm glass,
 zamak body, without handle, cylinder
 & striker

Material:
 Zamak body & SS-304
 and aluminium cover plates

With handle & cylinder holes:

Left - Alu. Anod.	# 14.60.651-0
Right - Alu. Anod.	# 14.60.651-5
Left - SS-304 - brushed	# 14.60.652-0
Right - SS-304 - brushed	# 14.60.652-5

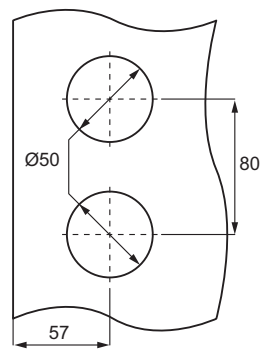
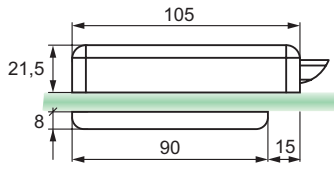
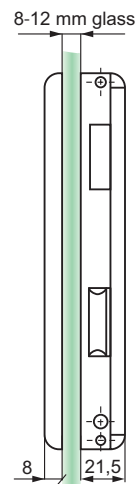
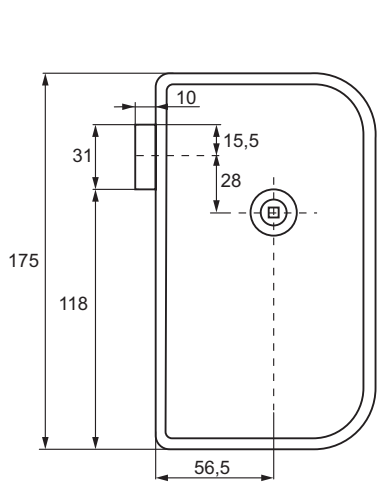
Handle & cylinder to be bought
 separately



With handle hole:

Left - Alu. Anod.	# 14.60.653-0
Right - Alu. Anod.	# 14.60.653-5
Left - SS-304 - brushed	# 14.60.654-0
Right - SS-304 - brushed	# 14.60.654-5

Handle be bought separately



HANDLES F/LOCK "BRUCE", "CLARK" & "ROBIN"

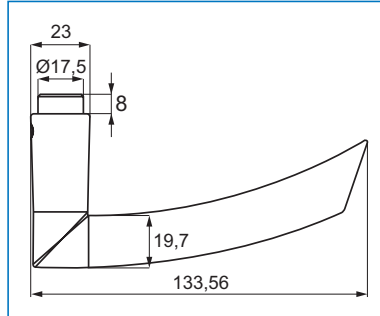
- high quality furniture fittings



MODEL "LUTHOR"

Description:
Handle, aluminium
For lock "Bruce" & "Clark"
W/8x8x85 mm spindle

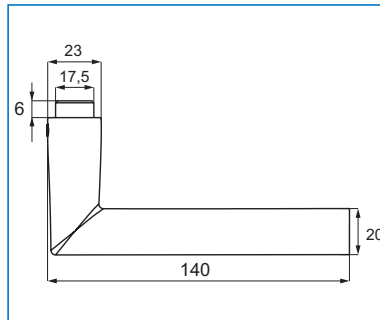
Item No.:
SS-lock # 27.20.201
Alu look # 27.20.202



MODEL "WAYNE"

Description:
Handle, aluminium
For lock "Bruce" & "Clark"
W/8x8x85 mm spindle

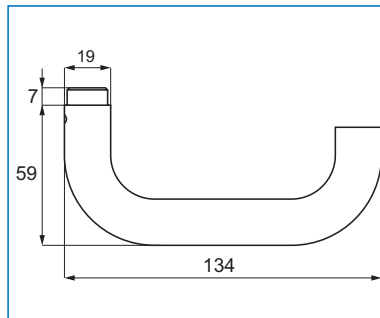
Item No.:
SS-lock # 27.20.203
Alu look # 27.20.204



MODEL "KEN"

Description:
Handle, stainless steel 304
For lock "Bruce" & "Clark"
W/8x8x110 mm spindle

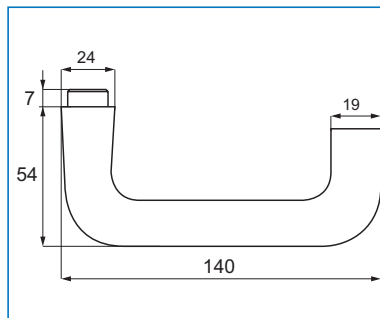
Item No.:
Brushed # 27.20.205



MODEL "WES"

Description:
Handle, aluminium
For lock "Bruce" & "Clark"
W/8x8x110 mm spindle

Item No.:
Alu look # 27.20.206



GLASS CALCULATION

$$\text{kg} = H_{(m)} \times B_{(m)} \times 2,5 \times T_{(mm)}$$

H = m
B = m
T = mm!

Example
H = 1,9 m
B = 1,2 m
T = 12 mm

1,9 x 1,2 x 2,5 x 12 = **68,4 kg**

PROFILE CYLINDER F/LOCK "BRUCE", "CLARK" & "ROBIN"

Description:

Brass cylinder, Yale key way.
For lock "Bruce", "Clark" & "Robin".
Incl. 3 brass keys with SISO logo.

Item No.:

SS-Look # 14.60.037

With Master key system:

Item No.:

SS-lock - System #M1 # 14.60.039

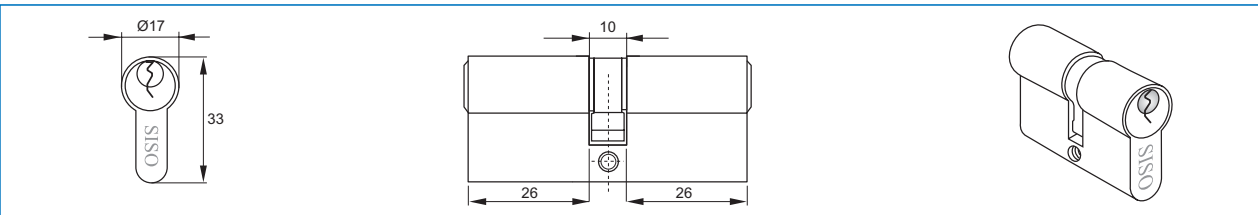
SS-lock - System #M2 # 14.60.040

Master keys:

Item No.:

System #M1 # 14.60.041-0

System #M2 # 14.60.042-0



Cylinder w/Knob #2 - Yale key way

With Master Key system #M3
Incl. 3 brass keys with SISO logo

Item No.:

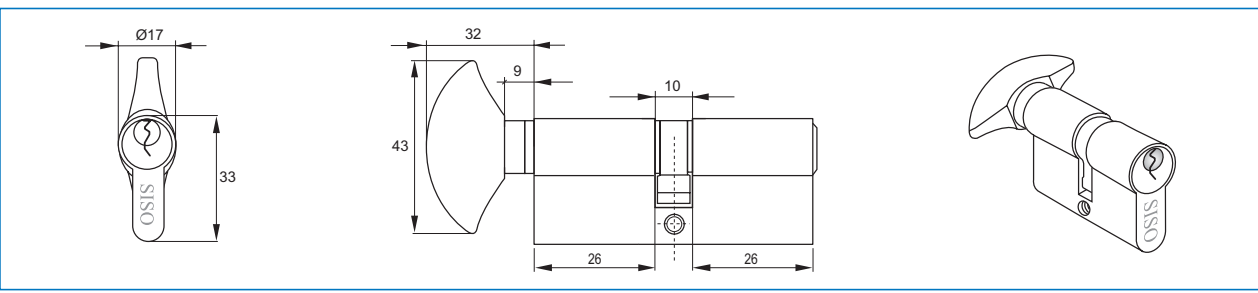
SS-Look - System #M3 # 14.60.032

Alu Look - System #M3 # 14.60.045

Master key:

Item No.:

System #M3 # 14.60.041-5



Cylinder w/Knob #3 - Yale key way

With Master Key system #M3
Incl. 3 brass keys with SISO logo

Item No.:

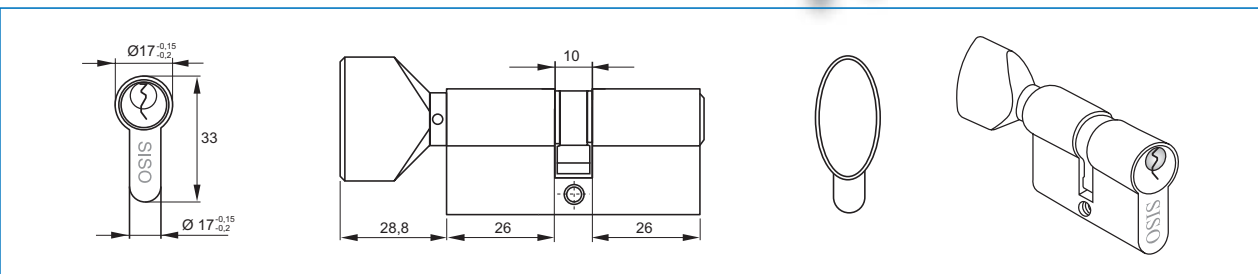
SS-Look - System #M3 # 14.60.033

Alu Look - System #M3 # 14.60.047

Master key:

Item No.:

System #M3 # 14.60.041-5



GLASS DOOR LOCK "FREJA"

- high quality furniture fittings



Description:

Glass door lock for 10-18 mm glass, zamak lock body, with small striker, without cylinder & keys.

Finish:

SS-304 - brushed

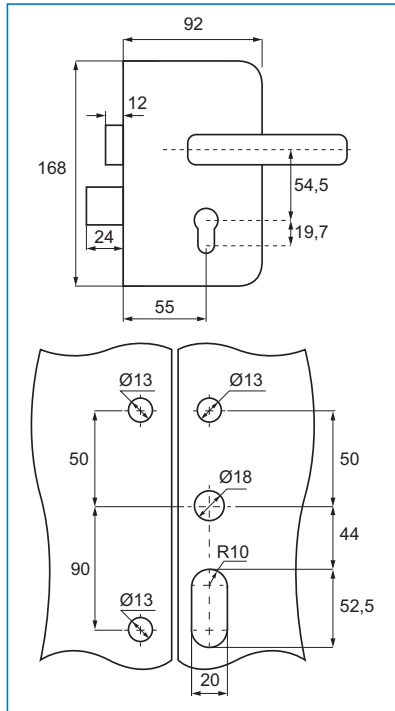
Item No.:

Glass Door Lock "FREJA" Left # 14.60.627
Glass Door Lock "FREJA" Right # 14.60.628

Additional:

Brass Profile Cylinder 62mm
(26+10+26) - Yale key way

SS-lock # 14.60.037



STRIKER FOR "FREJA" GLASS DOOR LOCK

Description:

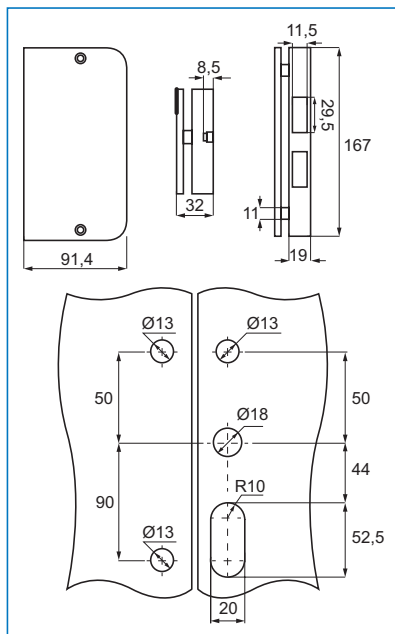
Striker, zamak, for double glass doors, 10-18 mm glass.

Finish:

SS-304 - brushed

Item No.:

14.60.662



GLASS DOOR LOCK "SIMA" - NO DRILLING/CUTTING F/DOUBLE DOORS

Description:

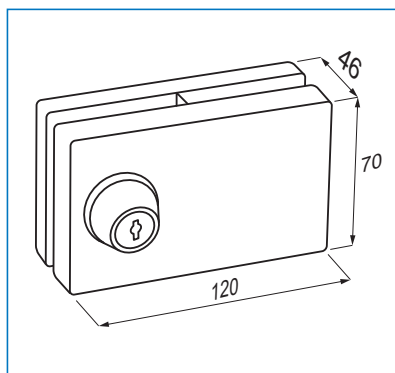
Glass door lock for 10mm glass. No cutting or drilling needed, zamak lock body, with cylinder & 3 nickel plated brass keys. Removal of lock during business hours provides a visually aesthetic frameless appearance.

Finish:

SS-304 - brushed

Item No.:

14.09.805



GLASS DOOR LOCK "THOR"

Description:

Glass door lock for 8 mm glass
 No cutting or drilling required
 Incl. striker bushing
 Sliding bolt locking

Material:

Aluminum & stainless steel

Size:

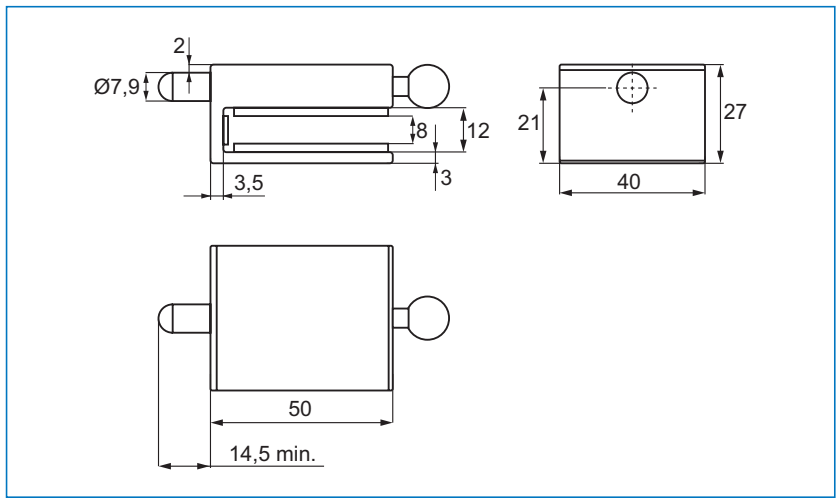
(W/H/D) 40 x 50 x 27 mm

Finish:

SS-lock

Item No.:

17.87.760



STRIKER F/DOOR LOCK "THOR" GLASS/GLASS

Description:

Ideal for double doors or glass walls
 Glass door striker for 8 mm glass
 No cutting or drilling required

Material:

Aluminum

Size:

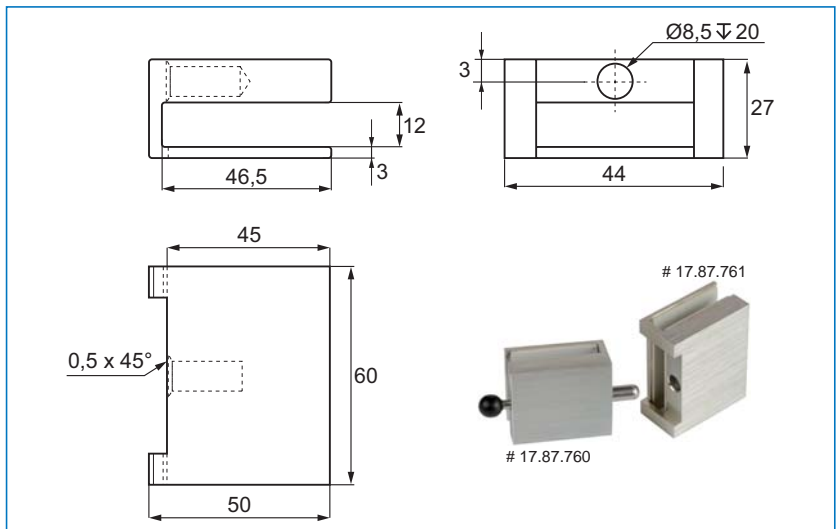
(W/H/D) 50 x 60 x 27 mm

Finish:

SS-lock

Item No.:

17.87.761



STAINLESS STEEL DOOR STOPPERS

- high quality furniture fittings

DOOR STOPPER "STICK"

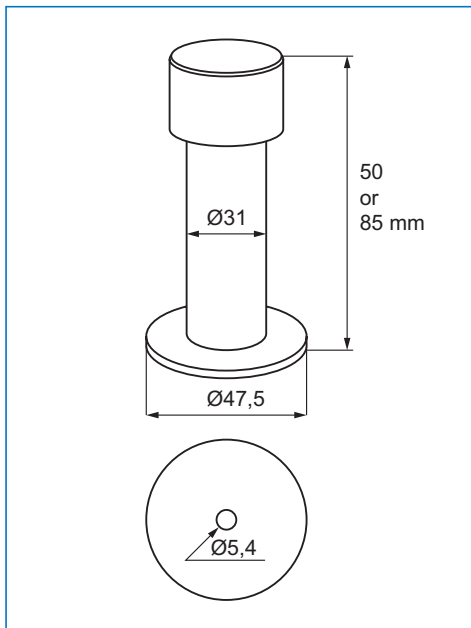
With black rubber head.

Material:
Hollow SS 201 tube

Finish:
Brushed

Item No.:
Size: Ø 22 x 50 mm # 22.04.080
Size: Ø 22 x 85 mm # 22.04.085

Incl.: screw & plug



DOOR STOPPER "MUSHROOM"

With black rubber ring.

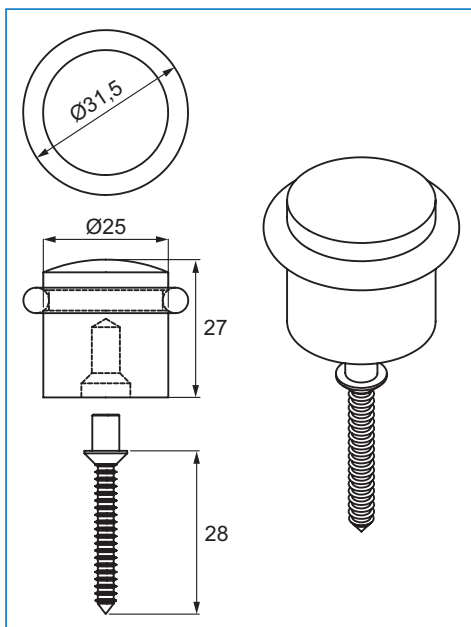
Material:
SS 201

Finish:
Brushed

Size:
Ø 24,5 x 27 mm

Item No.: # 22.04.105

Incl.: screw & plug



DOOR STOPPER "CAKE"

W/black rubber rings & bottom pad.

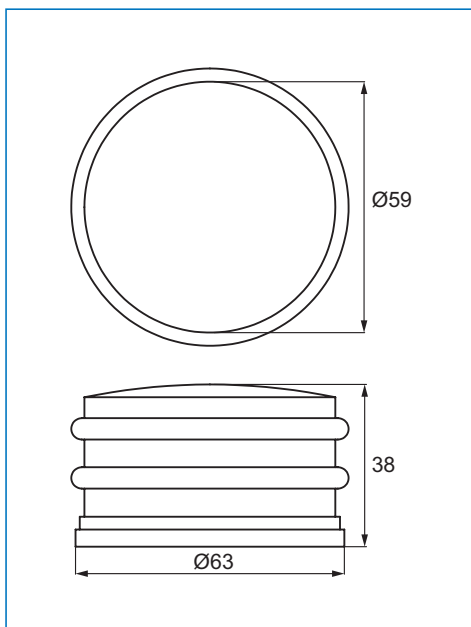
Material:
SS 201

Finish:
Brushed

Size:
Ø 59 x 38 mm

Weight:
700 grams

Item No.: # 22.04.095



STAINLESS STEEL DOOR STOPPERS

DOOR STOPPER "HALF-MOON"
W/black rubber pad.

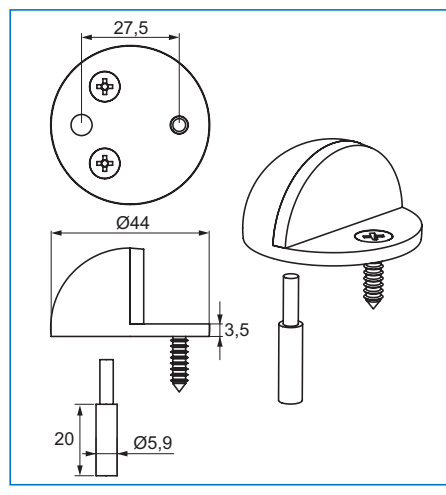
Material:
SS 304

Finish:
Brushed

Size:
Ø 44 x 24 mm

Item No.: # 22.04.100

Incl.: Guide pin, screw & plug



DOOR STOPPER "JING"
W/black rubber bumper.

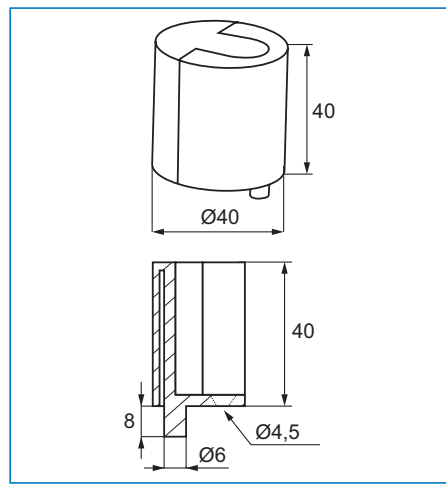
Material:
SS 304

Finish:
Brushed

Size:
Ø 40 x 40 mm

Item No.: # 22.04.097

Incl.: screw & plug



DOOR STOPPER "JANG"
W/black rubber bumper.

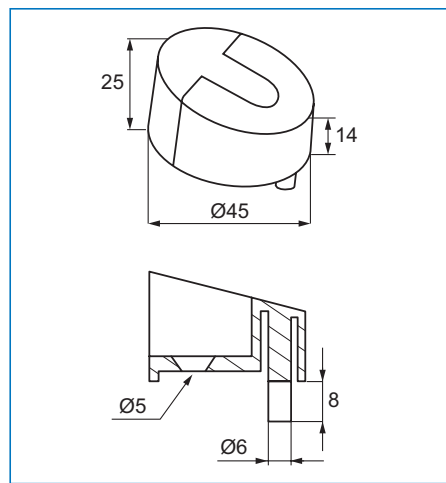
Material:
SS 304

Finish:
Brushed

Size:
Ø 45 x 25 mm

Item No.: # 22.04.098

Incl.: screw & plug



DOOR STOPPER "CYLINDER"
W/black rubber ring.

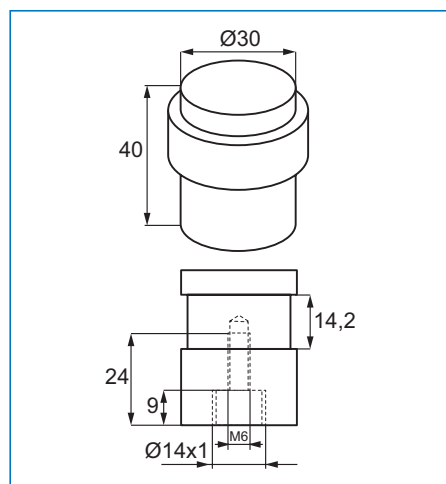
Material:
SS 304

Finish:
Brushed

Size:
Ø 30 x 40 mm

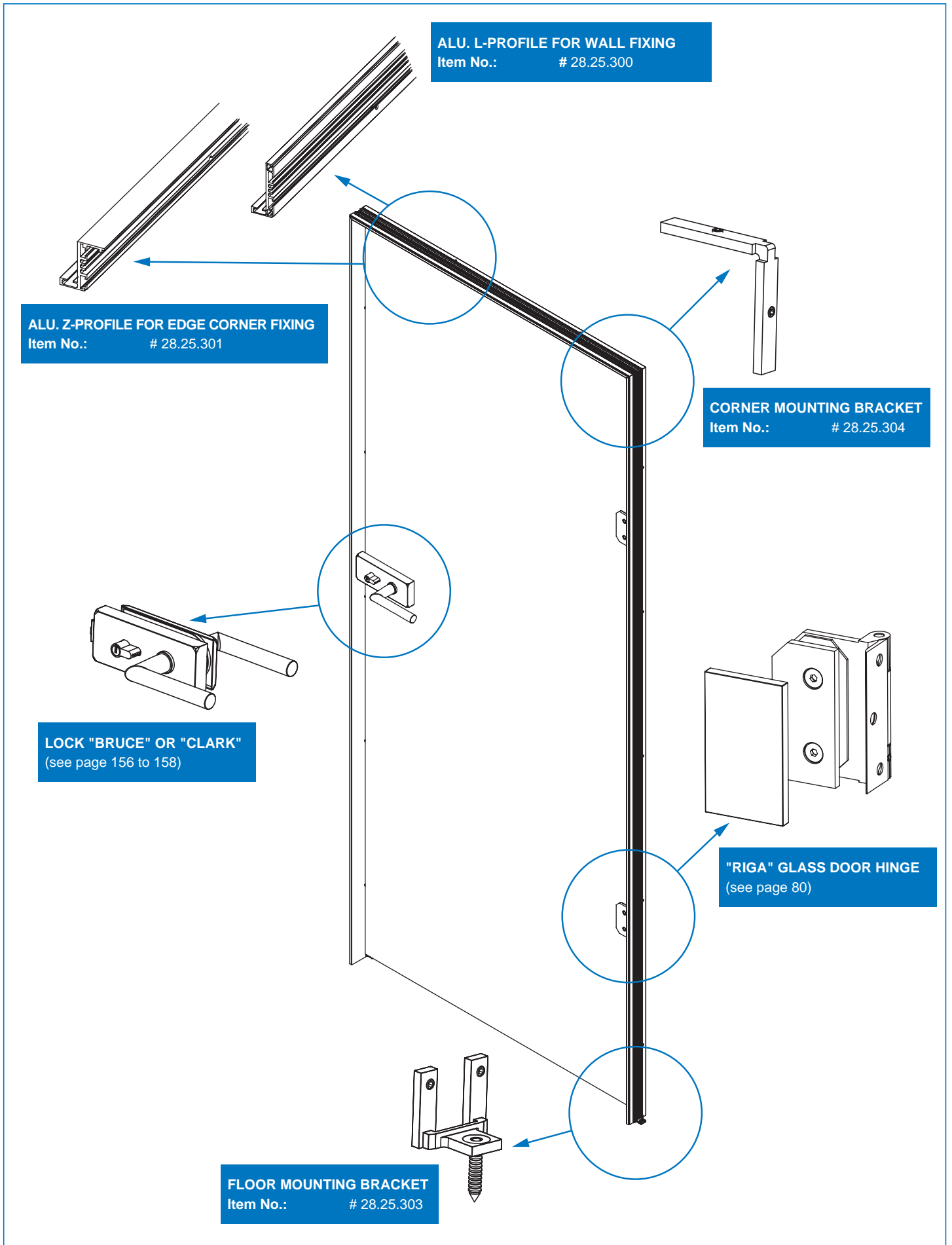
Item No.: # 22.04.096

Incl.: 1 Brass Bushing, 1 Explosion Screw Ø 6 mm,
1 Wood Screw Ø 5 x 45 mm & Nylon Plug



"ZAPP" ALU PROFILE DOOR SYSTEM

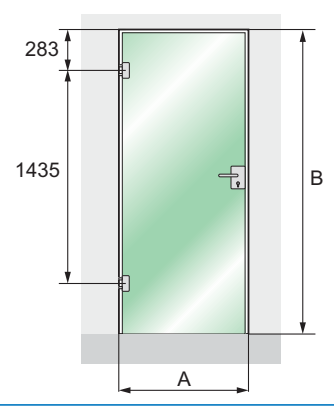
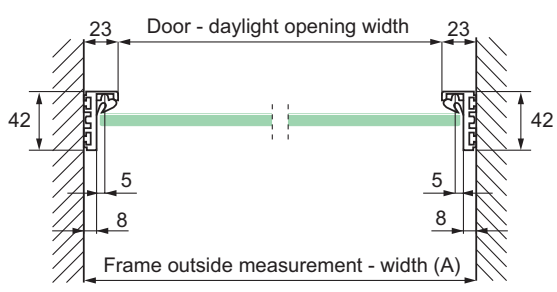
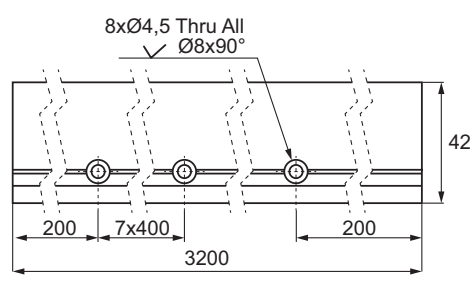
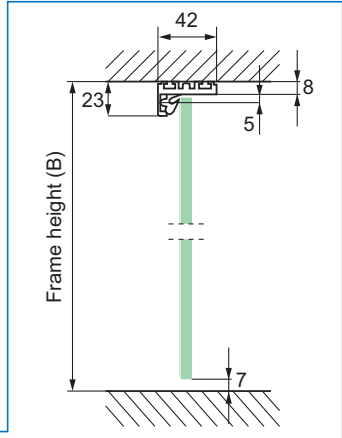
- high quality furniture fittings



COMPONENTS F/ "ZAPP" ALU PROFILE SYSTEM

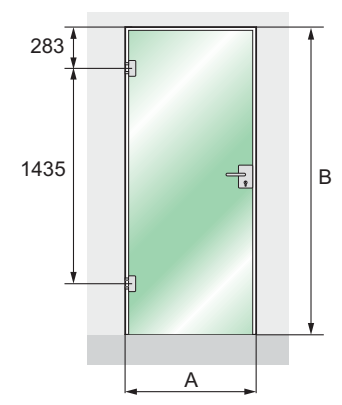
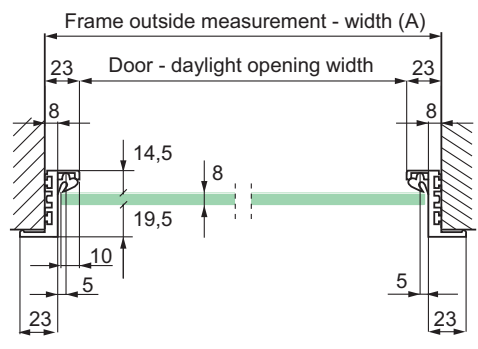
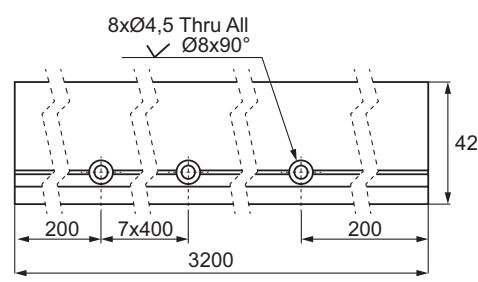
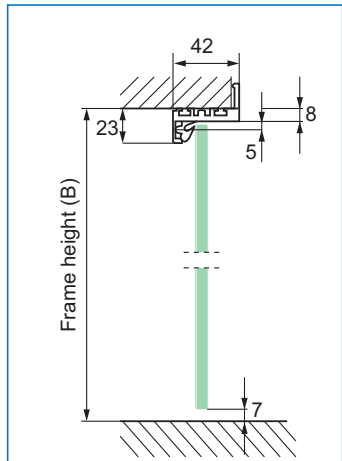
L-PROFILE FOR WALL FIXING

Glass thickness: 8 - 10 mm
Length: 3200 mm
Finish: Alu anodized
Item No.: # 28.25.300



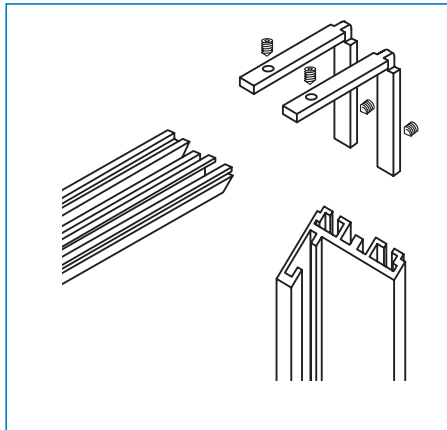
Z-PROFILE FOR EDGE WALL FIXING

Glass thickness: 8 - 10 mm
Length: 3200 mm
Finish: Alu anodized
Item No.: # 28.25.301



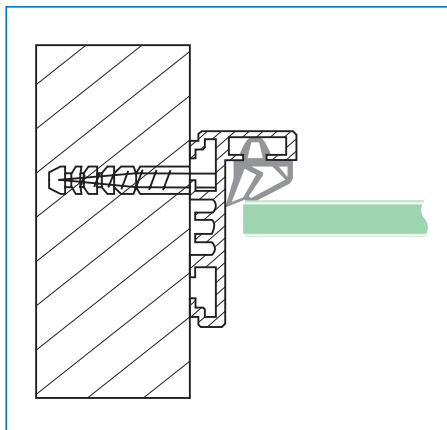
CORNER MOUNTING BRACKET

Material: Zamak - raw
Size: 50 x 50 mm
Tightening screws: M4 x 6 mm, 2 mm Hex
Item No.: # 28.25.304



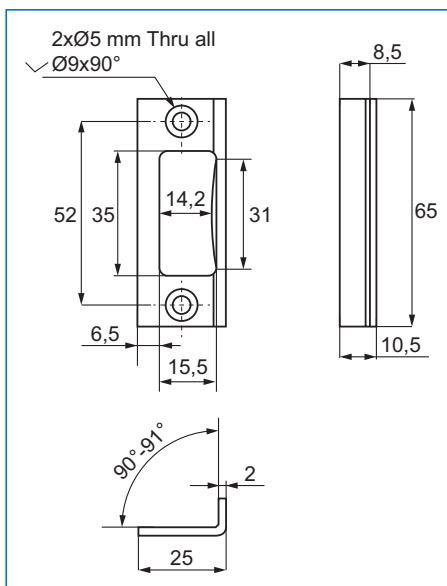
PVC SEALING FOR Z & L PROFILE

Material: soft PVC – grey
 Rolls of 60 meters
Item No.: # 15.22.410



LOCK STRIKER F/LOCK "BRUCE" & "CLARK"

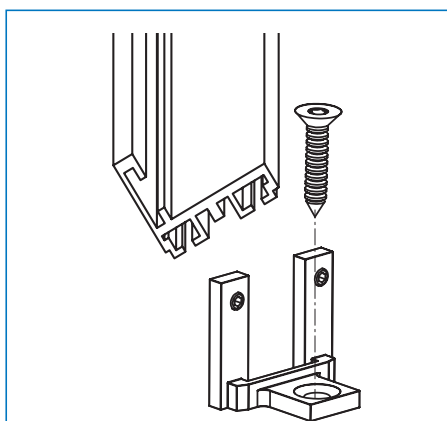
Material: Aluminium anodized
Size: 25 x 65 mm
Screw holes: ø5 mm
Item No.: # 28.25.305



FLOOR MOUNTING BRACKET F/GLASS SIDE WALLS

Description:
 To be used if sidewalls are made of glass.

Material: Zamak - raw
Size: 30 x 24 mm
Tightening screws: M4 x 6 mm, 2 mm Hex
Screw hole: ø6,5 mm
Item No.: # 28.25.303

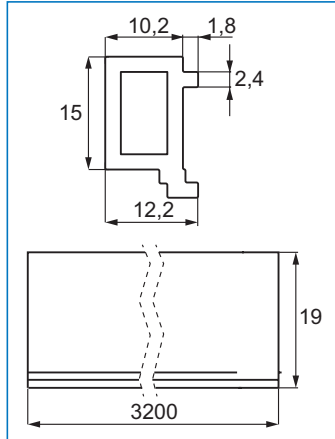


ALUMINIUM CLIP PROFILE F/GLASS SIDE WALLS

Description:

To be used if side walls are made of glass.
Clip profile is clicked into the L or Z-profile.
Glass is fixed by use of seal 15.22.408
on one side & seal 15.22.409 on other side.

Glass thickness: 10 mm
Length: 3200 mm
Finish: Alu anodized
Item No.: # 28.25.302



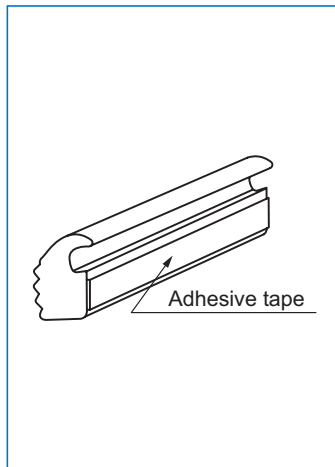
PVC SEALING FOR CLIP PROFILE, W/ADHESIVE TAPE

Description:

Fixed/glued on clip profile by use
of adhesive tape.
F/10 mm glass.

Material: soft PVC - transparent
Item No.: # 15.22.408

Sold in rolls of 52 meters



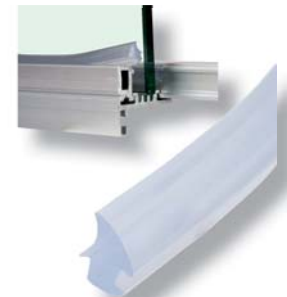
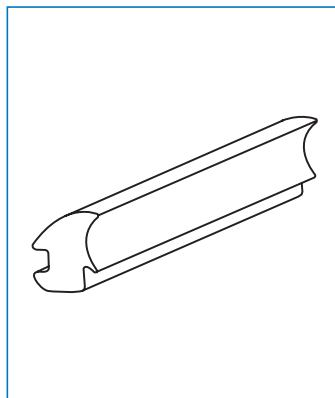
PVC SEALING FOR CLIP PROFILE

Description:

Pressed in between the clip profile and glass.
F/10mm glass.

Material: soft PVC - transparent
Item No.: # 15.22.409

Sold in rolls of 52 meters

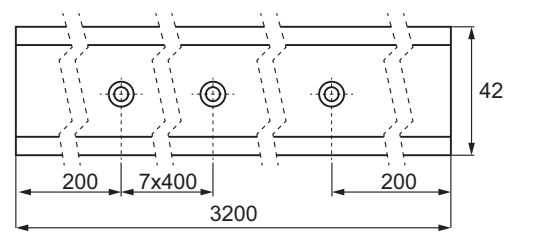
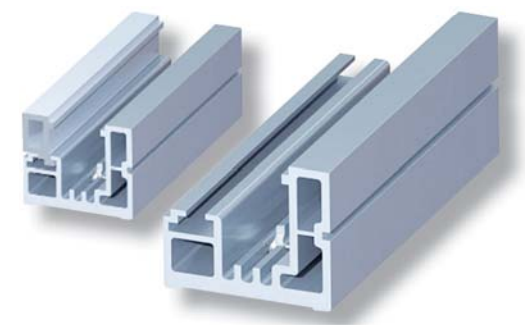
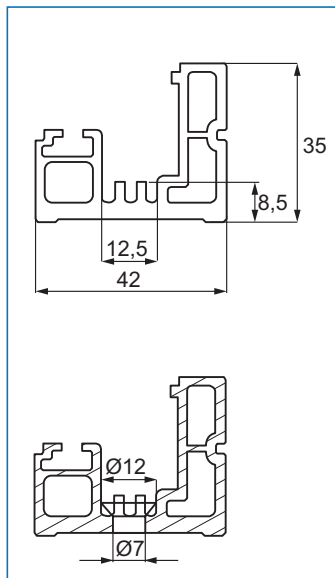


ALUMINIUM GLASS WALL PROFILE

Description:

To be used for glass walls.
May be fixed to the floor, sealing or wall.
Glass is fixed by use of clip profile # 28.25.302
together with seal # 15.22.408 on one side
& seal # 15.22.409 on other side.

Glass thickness: 10 mm
Length: 3200 mm
Finish: Alu anodized
Item No.: # 28.25.306



PROFILE SYSTEM "WAX" F/GLASS WALLS

- high quality furniture fittings

Application:

For partition glass walls in offices, shops or domestic housings. No drilling in glass required or messy sealant.

Specifications:

Material: Aluminium profile & zamak clamps

Finish: Polished aluminium

Size: 40 x 31 x 2100 mm (H/W/L)

Glass thickness: 8 - 10 mm

Load capacity: Max 15 kg pr. clamp

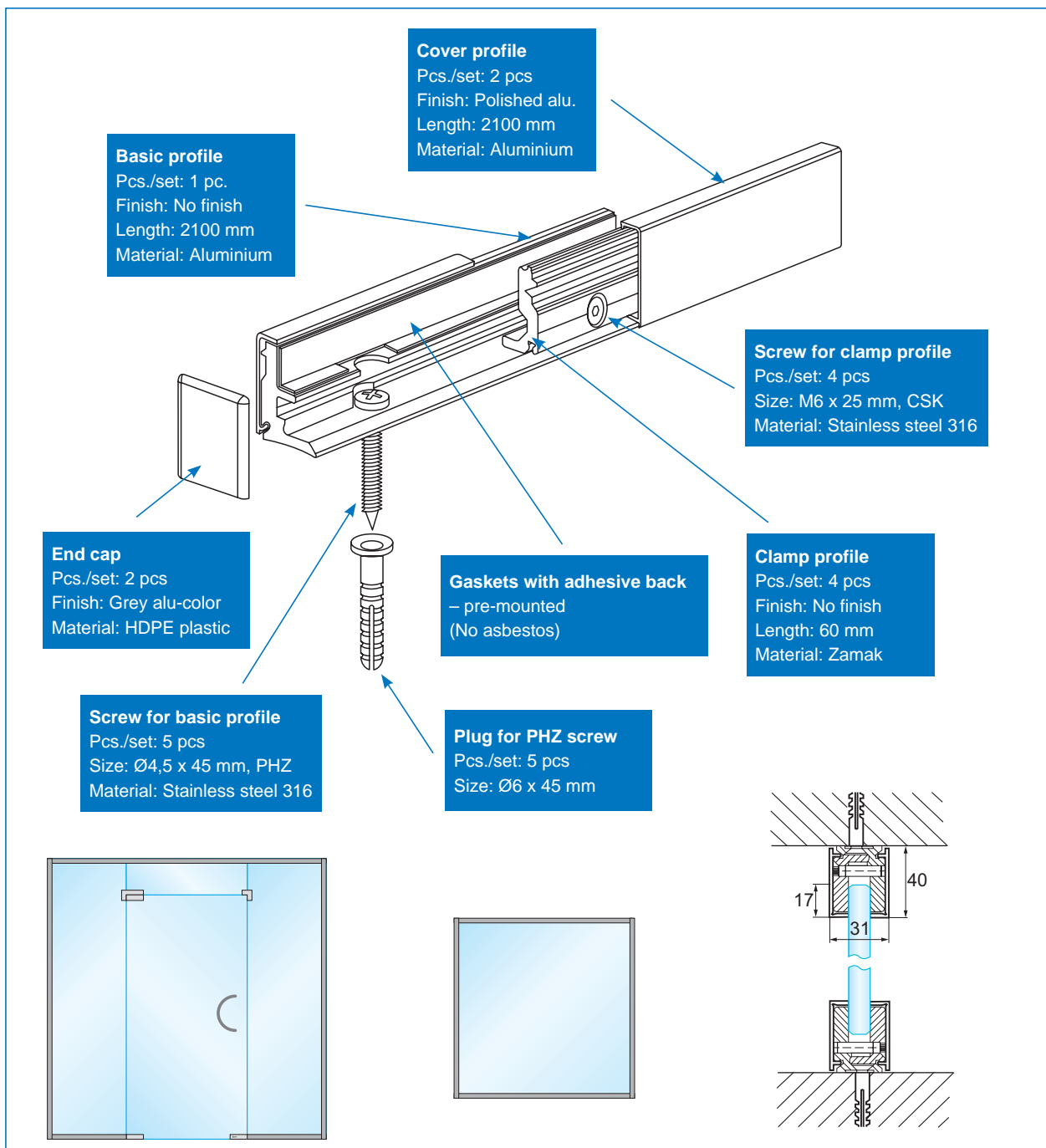
One set consists of

(see below drawing)

Item No.: # 28.25.310-0

If for 8 mm glass extra gasket set is needed:

Item No.: # 28.25.310-9



SOFT CLOSE GLASS DOOR HINGE "KLAP"

8 - 12 MM - W/CENTRE BACK PLATE

Application:

Suitable for glass doors/shower doors
 Drilling/cutting required
 W/Damping function w/speed adjustment
 Self centering
 Self closing at 85°
 Hold-Open at 90°

Opening: 95°

Max glass width: 800 mm
Max glass height: 2400 mm
Load Capacity: 45 KG
Glass thickness: 8 - 12 mm
Tested according to EN1154: 130.000 cycles

Material:

SS-304 Brushed or polished

1 pair consists of

- 1 x damping hinge 90 x 63 mm (bottom hinge)
- 1 x mounting plate 90 x 50 mm
- 1 x closing hinge 90 x 63 mm (top hinge)
- 1 x mounting plate 90 x 50 mm
- 4 x fibre cushions (non asbestos) 2 mm thickness
- 2 x white PE gaskets 1,5 mm thickness
- 2 x white PE gaskets 2 mm thickness
- 8 x wall plugs
- 8 x wall screws
- 4 x cover caps
- 1 x L-shaped 4 mm hex key

Item No.

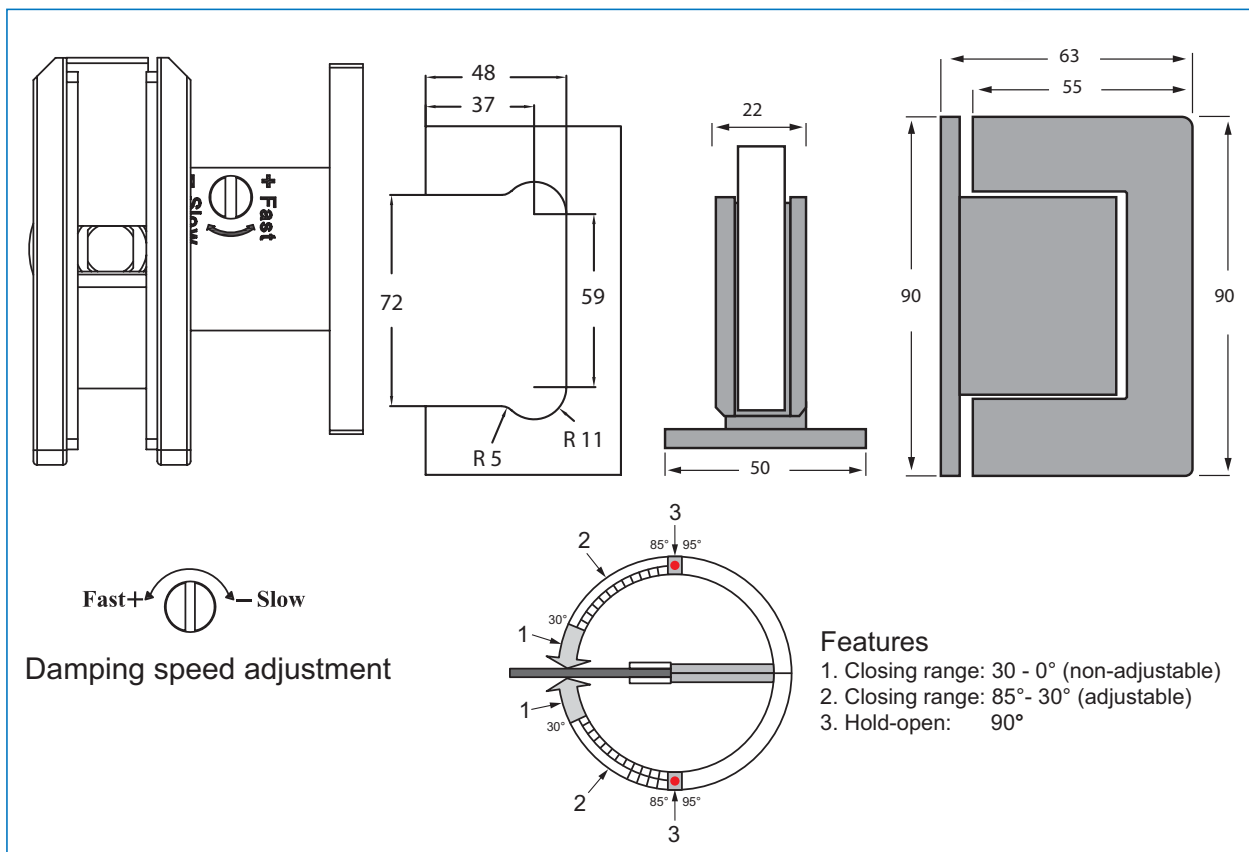
Brushed # 15.24.240-0
 Polished # 15.24.240-9



Closing hinge
(Top hinge)



Damping hinge
(Bottom hinge)



- Features**
1. Closing range: 30 - 0° (non-adjustable)
 2. Closing range: 85° - 30° (adjustable)
 3. Hold-open: 90°

SOFT CLOSE GLASS DOOR HINGE "KLAP"

10 – 14 MM - W/CENTRE BACK PLATE

- high quality furniture fittings



Application

Suitable for glass doors/shower doors
 Drilling/cutting required
 W/Damping function w/speed adjustment
 Self centering
 Self closing at 85°
 Hold-Open at 90°

Opening: 95°

Max glass width: 900 mm

Max glass height: 2400 mm

Load Capacity: 65 KG

Glass thickness: 10 - 14 mm

Tested according to EN1154: 130.000 cycles

Material:

SS-304 Brushed or polished

1 pair consists of

- 1 x damping hinge 112 x 85 mm (bottom hinge)
- 1 x mounting plate 112 x 60 mm
- 1 x closing hinge 112 x 85 mm (top hinge)
- 1 x mounting plate 112 x 60 mm
- 4 x fibre cushions (non asbestos) 2 mm thickness
- 2 x white PE gaskets 1,5 mm thickness
- 2 x white PE gaskets 2 mm thickness
- 8 x wall plugs
- 8 x wall screws
- 4 x cover caps
- 1 x L-shaped 4 mm hex key

Item No.

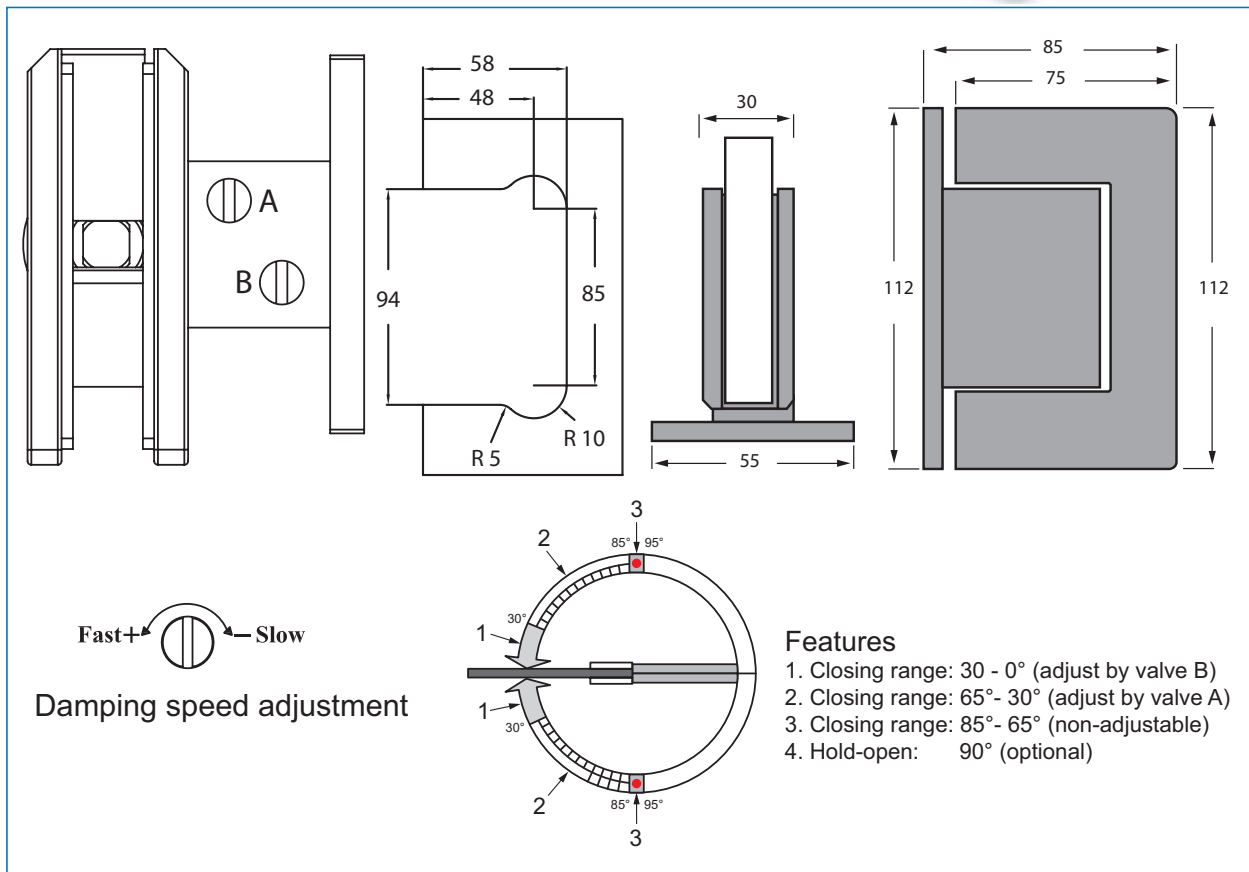
Brushed	# 15.24.245-0
Polished	# 15.24.245-9



Closing hinge
(Top hinge)



Damping hinge
(Bottom hinge)



Features

1. Closing range: 30 - 0° (adjust by valve B)
2. Closing range: 65° - 30° (adjust by valve A)
3. Closing range: 85° - 65° (non-adjustable)
4. Hold-open: 90° (optional)

SOFT CLOSE GLASS DOOR HINGE "KLAP"

8 - 12 MM - GLASS TO GLASS - 180°

Application

Suitable for glass doors/shower doors
 Drilling/cutting required
 W/Damping function w/speed adjustment
 Self centering
 Self closing at 85°
 Hold-Open at 90°

Opening: 95°

Max glass width: 800 mm

Max glass height: 2400 mm

Load Capacity: 45 KG

Glass thickness: 8 - 12 mm

Tested according to EN1154: 130.000 cycles

Material:

SS-304 Brushed or polished

1 pair consists of

- 1 x damping hinge 90 x 55 mm (bottom hinge)
- 1 x glass wall fixing plate 90 x 55 mm
- 1 x closing hinge 90 x 55 mm (top hinge)
- 1 x glass wall fixing plate 90 x 55 mm
- 4 x fibre cushions (non asbestos) 2 mm thickness
- 2 x white PE gaskets 1,5 mm thickness
- 2 x white PE gaskets 2 mm thickness
- 8 x cover caps
- 1 x L-shaped 4 mm hex key

Item No.

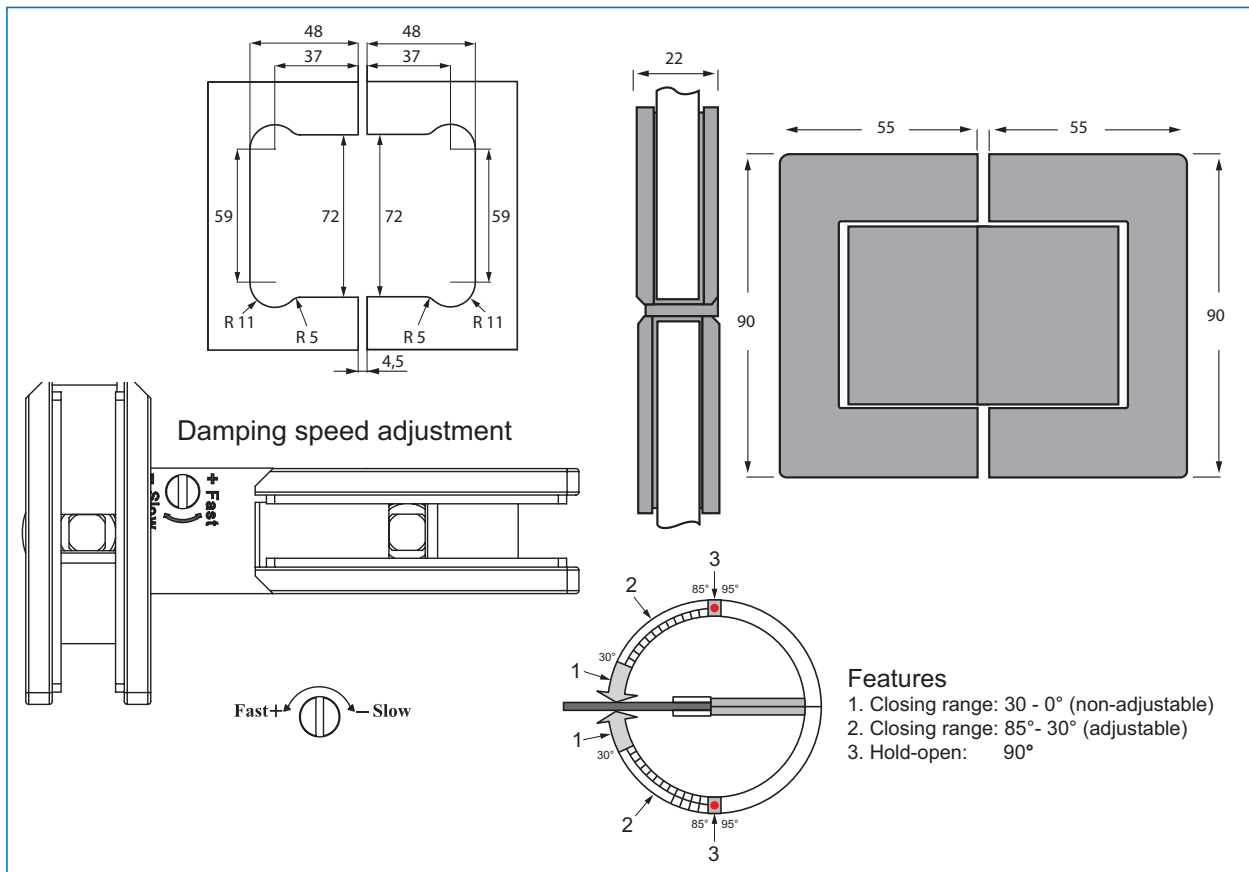
Brushed # 15.24.243-0
 Polished # 15.24.243-9



Closing hinge
(Top hinge)



Damping hinge
(Bottom hinge)



SOFT CLOSE GLASS DOOR HINGE "KLAP"

10 - 14 MM - GLASS TO GLASS – 180°

- high quality furniture fittings



Application

Suitable for glass doors/shower doors
 Drilling/cutting required
 W/Damping function w/speed adjustment
 Self centering
 Self closing at 85°
 Hold-Open at 90°

Opening: 95°

Max glass width: 900 mm

Max glass height: 2400 mm

Load Capacity: 65 kg

Glass thickness: 10 - 14 mm

Tested according to EN1154: 130.000 cycles

Material:

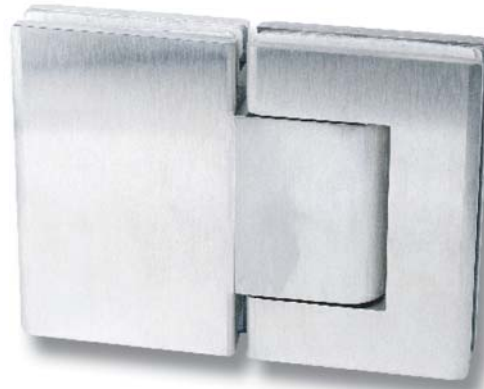
SS-304 Brushed or polished

1 pair consists of

- 1 x damping hinge 112 x 75 mm (bottom hinge)
- 1 x glass wall fixing plate 112 x 75 mm
- 1 x closing hinge 112 x 75 mm (top hinge)
- 1 x glass wall fixing plate 112 x 75 mm
- 4 x fibre cushions (non asbestos) 2 mm thickness
- 2 x white PE gaskets 1,5 mm thickness
- 2 x white PE gaskets 2 mm thickness
- 8 x cover caps
- 1 x L-shaped 4 mm hex key

Item No.

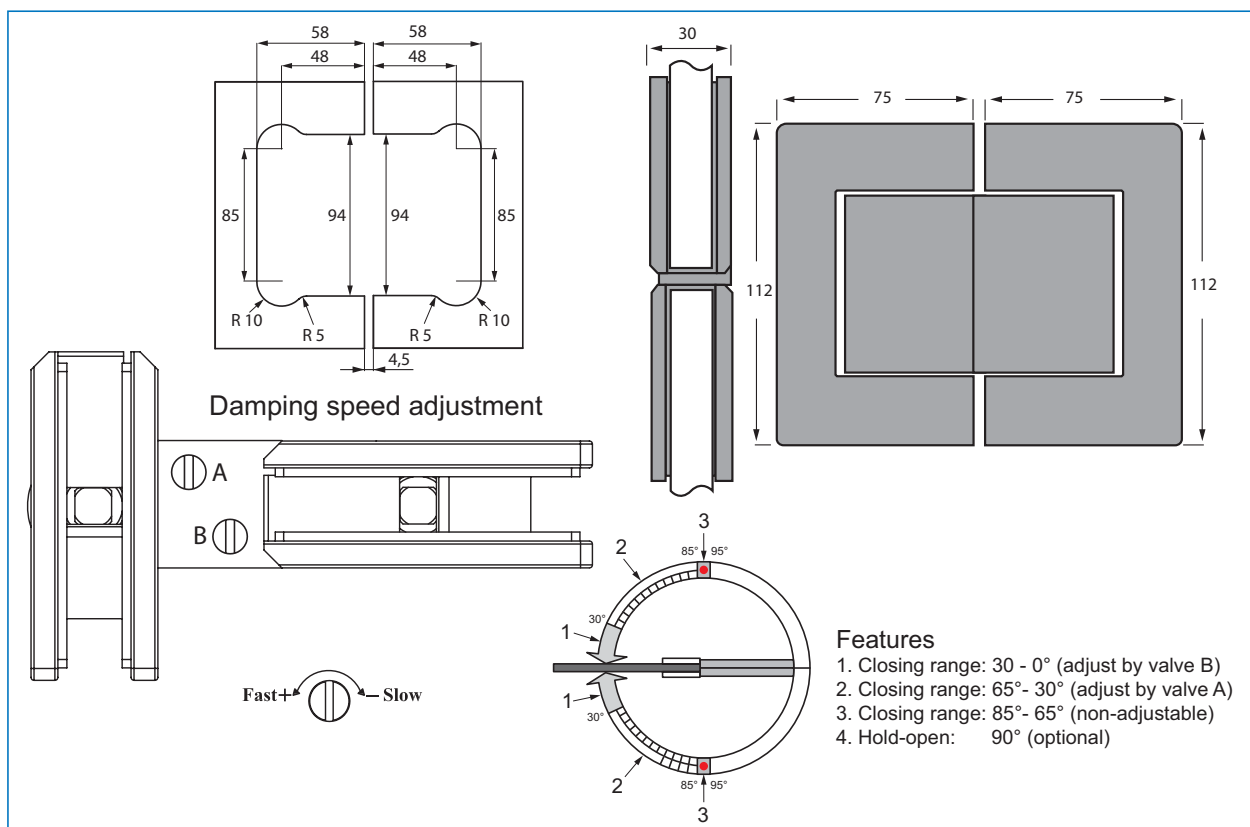
Brushed	# 15.24.248-0
Polished	# 15.24.248-9



Closing hinge
(Top hinge)



Damping hinge
(Bottom hinge)



FLOOR HINGE "JUMP" – 80 KG W/SOFT CLOSE & HOLD OPEN FUNCTION

Application:

- Suitable for glass doors
- Drilling/cutting required
- W/Damping function w/speed adjustment
- Self-centering
- Soft closing 2 from 30° - 0°
- Soft closing 1 from 90° - 30°
- Hold open from 90°

Max opening: 120°

Max glass width: 1000/1300 mm

Max glass height: 2400 mm

Load capacity: 80 kg

Glass thickness: 10 -14 mm

Material:

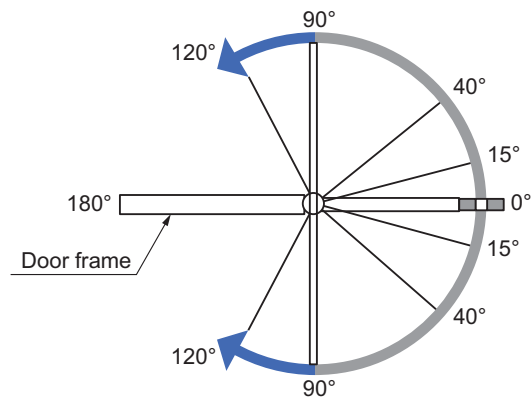
SS-304

1 hinge consists of:

- 1 x damping hinge 193 x 70 mm
- 1 x mounting plate 137 x 52 mm
- 3 x fibre cushions 1 mm (non asbestos)
- 1 x steel gasket 2 mm
- 3 x wall plugs ø10 x 67 mm
- 3 x mounting screws M8 x 39 mm
- 1 x L-shaped 6 mm hex key
- 1 x L-shaped 3 mm hex key
- 1 x L-shaped 2 mm hex key

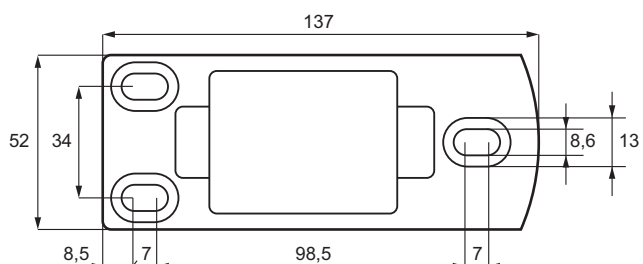
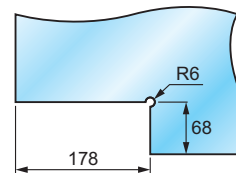
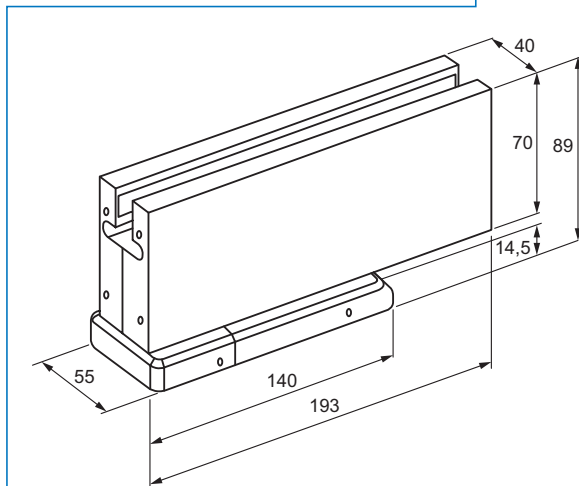
Finish:

- Brushed # 15.24.270
- Polished # 15.24.270+275



Features

- 1. Section 2 soft closing: 30° - 0°
 - 2. Section 1 soft closing: 90° - 30°
 - 3. Closing section: 90° - 0°
 - 4. Hold-open: 90°
- Back to close position section
 Opening limit



FLOOR HINGE "JUMP" W/SOFT CLOSE & HOLD OPEN FUNCTION - 150 KG

- high quality furniture fittings



Application:

Suitable for glass doors
 Drilling/cutting required
 W/Damping function w/speed adjustment
 Self-centering
 Soft closing from 40 - 15°
 Fast closing from 85 - 40°
 Hold open from 140 - 90°

Max opening: 140°

Max glass width: 1000/1300 mm

Max glass height: 2400 mm

Load capacity: 150 kg

Glass thickness: 10 - 14 mm

Material:

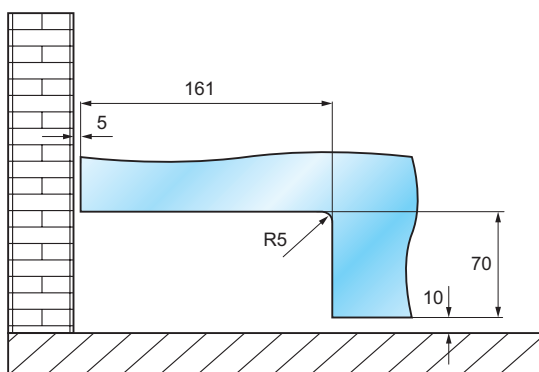
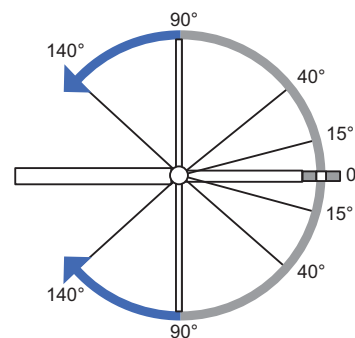
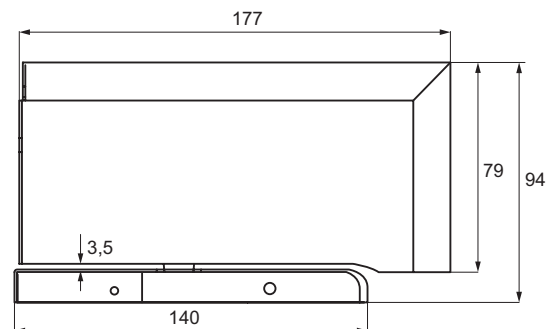
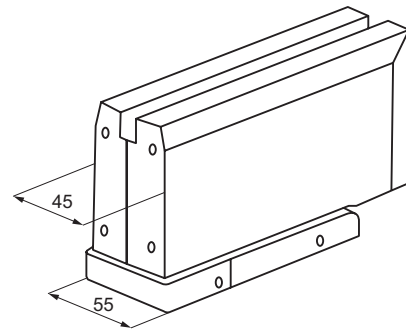
SS-304

1 hinge consists of:

- 1 x damping hinge 177 x 79 mm
- 1 x mounting plate 140 x 46 mm
- 2 x fibre cushions 1 mm (non asbestos)
- 2 x fibre cushions 2 mm (non asbestos)
- 3 x wall plugs $\varnothing 10 \times 67$ mm
- 3 x mounting screws M8 x 39 mm
- 1 x L-shaped 5 mm hex key
- 1 x L-shaped 4 mm hex key
- 1 x L-shaped 3 mm hex key
- 1 x L-shaped 2 mm hex key

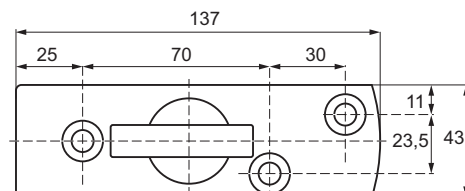
Finish:

- 150 kg - brushed # 15.24.262
- 150 kg - polished # 15.24.263



Features

- | | | |
|------------------|------------|------------------------|
| 1. Latching: | 15° - 0° | ■ Soft closing section |
| 2. Soft closing: | 40° - 15° | ■ Hold-open section |
| 3. Fast closing: | 85° - 40° | |
| 4. Hold-open: | 140° - 90° | |



NOTES

Dotted lines for notes.

NOTES

- high quality furniture fittings



A series of horizontal dotted lines spanning the width of the page, intended for writing notes.

Dotted lines for notes.



- high quality furniture fittings

Item No.: 99.00.020

31.01.2017

SISO A/S

Mileparken 11 Phone: (+45) 45 830 900
DK - 2740 Skovlunde (Copenhagen) Fax: (+45) 45 830 444
Denmark E-mail: siso@siso.dk Web: www.siso.dk