

SISO LOCKS



- high quality furniture fittings



The technical descriptions and dimensions in this catalogue, also those the photographs and drawings, are not binding. We reserve the right to make design improvements.

We bear no liability for any misprints or other errors that might occur in the production of the catalogue.

SISO A/S tager forbehold for trykfejl samt ændringer i produktets specifikationer.

Für Druckfehler und Irrtümer ist jede Haftung ausgeschlossen. Produktänderungen behalten wir uns vor.



- high quality furniture fittings














SISO A/S
MILEPARKEN 11
DK - 2740 SKOVLUNDE
(COPENHAGEN)
DENMARK
PHONE: (+45) 45 830 900
FAX: (+45) 45 830 444

DISTRIBUTOR

CONTENT

"MIC" SYSTEM.....	5
RIM LOCKS.....	6-13
SLAM LOCKS.....	14-15
ROLL BLIND LOCKS.....	15-16
SHUTTER/SLIDING DOOR LOCKS.....	17-18
CAM LOCKS.....	19-24
PUSH LOCKS.....	25-27
WINDOW LOCKS.....	27
PADLOCKABLE CAM LOCKS.....	28-29
PADLOCKS.....	30
CENTRAL LOCKS.....	31-35
FLAP LOCKS.....	36
BOX LOCKS.....	37



MORTISE LOCKS.....	38	
FURNITURE KEYS.....	39-40	
ESCUTCHEONS.....	41	
ESPAGNOLETTE LOCKS.....	42-48	
METAL FURNITURE LOCKS.....	49-54	
LOCK ACCESSORIES.....	55-60	
CAM PLATES.....	61-62	
GLASS DOOR LOCKS.....	63-80	
COMBINATION LOCKS W/DIGIT'S.....	81-89	
BRASS PROFILE CYLINDERS.....	90-91	
DOOR LOCKS.....	92-96	
GUN LOCK W/DIGIT'S.....	96	
COIN DEPOSIT LOCK.....	97	
ELECTRONIC LOCKS.....	98-104	

PRESENTATION

Our locks are mainly made of zamak and are as standard supplied 6 wafers, giving 400 different key combinations. **Master key system** and **Interchangeable Cylinders** are also available.

Some models are available laser cut "Snake" keys, granting 1000 key combinations. Keys are made of solid brass material. Some models are brass pins & tubular keys, granting 2000 key combination.

All locks are supplied as standard 1 rosette and 2 double dented keys, marked combination numbers.

Keys are as standard supplied black nylon cover, and can also be supplied as "**hinged**" type. However the keys may also be supplied all metal.

Optional: Locks may be supplied key combination number already prestamped on the cylinders. Locks **Master key & Interchangeable system (MIC)** are as standard supplied key combination number already **prestamped on the cylinders**.

You may ask for your own designed key and logo. Only you have to order minimum 10,000 keys (= 5000 locks of different models).

ABBREVIATIONS/SYMBOLS

- K/A = *Key Alike (all locks same key code)*
- K/D = *Key to Differ (all locks different key code)*
- NPL = *Nickel Plated*
- BPL = *Brass Plated*
- CPL = *Chrome Plated*
- ALU = *Matt Chrome*
- BRZ = *Bronze Plated*
- Backset = *Distance from centre of key entrance to the edge of the lock, where the locking tongue protrudes.*
- M** = **Master Key System.** *We offer 5 different Master Key groups named: J-11, J-12, J-13, J-14 or J-15. The groups J-11 and J-12 are stock items. Other groups require a certain delivery time. Master keys are covered white nylon and marked Master key Group number, f.inst. J-12. This master key can open all 400 different key combinations in this group.*

MIC = *Master key & Interchangeable Cylinder*. Apart from a few models, most of our locks may be supplied MIC system. Keys for changing the cylinder is covered red nylon.

ADVANTAGE of MIC:

- 1) **Security:** You can install the cylinders or change same to desired key combination at the final location. This offers additional security against unauthorized opening.
- 2) **Comfort:** It is easy to change cylinders out having to dismantle or change the lock already installed. In case of lost keys you can open the furniture either the master key or you can take out the cylinder the red key and replace it by a new cylinder. Insertion of loose cylinder into the lock body out any additional accessories – just the red key.

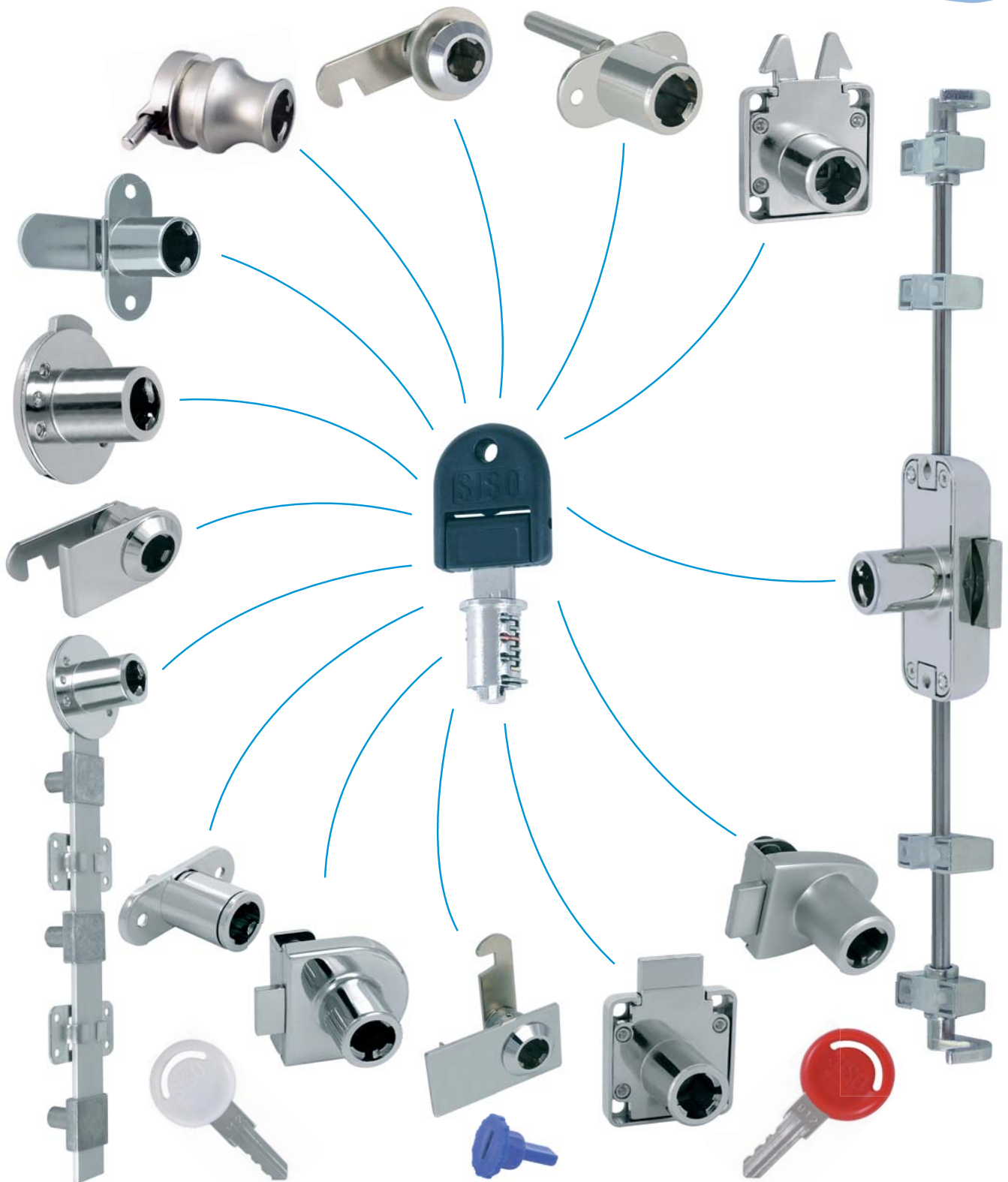
All MIC Locks are supplied master key system as standard and cylinders are marked key combination number.

MIC locks are supplied fixed cylinders or you can have empty lock bodies only and buy the cylinders separately, either as key alike or key to differ. If you buy lock bodies only, our locks are supplied a nylon plug inside the cylinder housing. The plugs have different colours:

Drawer position: blue colour
Right position: black colour
Left position: red colour



The plug prevents the cylinder housing from being damaged and you just remove the plug and insert the cylinder in this lock position.



Installation of cylinder into an empty lock body

1. Make sure that the arrow on the plastic plug points towards the lock tongue. If not in the correct position take a flat screw driver and turn the plug to the right position.
2. Take out the plastic plug from the lock body.
3. Take off the transparent plastic tube from the cylinder.
4. Insert the loose cylinder into the empty lock body right to the end.
5. Turn the key 90° & draw the key.
6. The cylinder has successfully been installed.

Application:

Drawers, wardrobes and cabinets

Accessories for one set:

- 1 lock
- 1 rosette
- 2 SISO car keys

Specification:

Zamak lock body & cylinder
 Steel rosette & keys
 Cylinder diam. 19 or 16,5 mm
 Cylinder lengths:
 18, 22, 26, 32 & 38 mm
 400 key combinations or key alike
 Drawer, left or right hand versions
 Master key & Interchangeable
 system available on request

Finish:

- Nickel plated
- Black anodized
- Bronze plated
- Aluminium finish
- Brass plated

Packing:

- 12 pcs per box
- 240 pcs per export carton

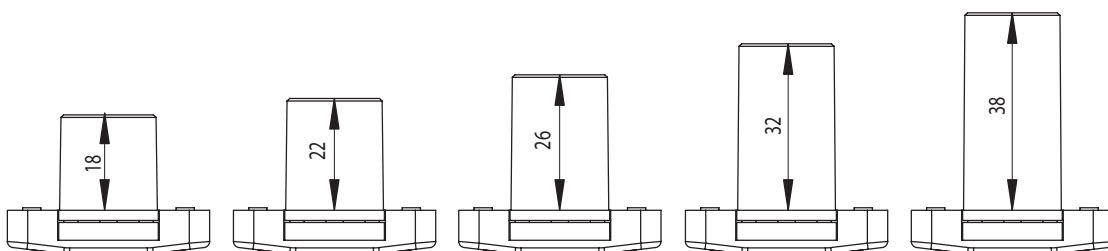
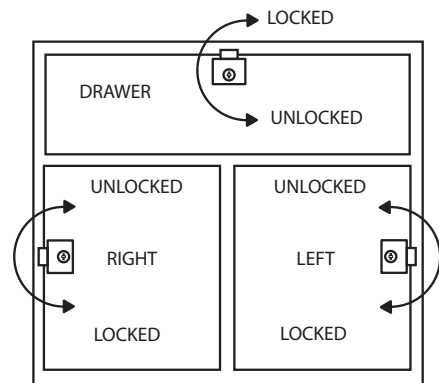
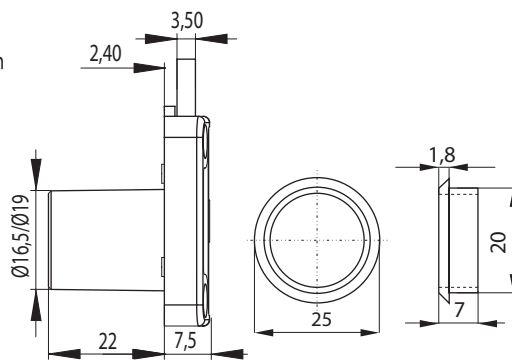
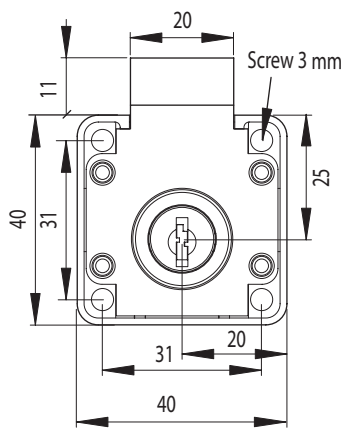
Item No.: # 14.00.000 etc.



RIGHT HAND

DRAWER

LEFT HAND



RIM LOCK NO. 850 "MIC" SNAKE KEY



Application:

Drawers, wardrobes and cabinets

Accessories for one set:

- 1 lock
- 1 rosette
- 2 SISO snake car keys

Specification:

Zamak lock body & cylinder, NPL
Steel rosette & brass keys
Cylinder size $\varnothing 19 \times 22$ mm
1000 key combinations or key alike
W/master key & interchangeable
system (MIC)
Drawer, left or right hand versions

Finish:

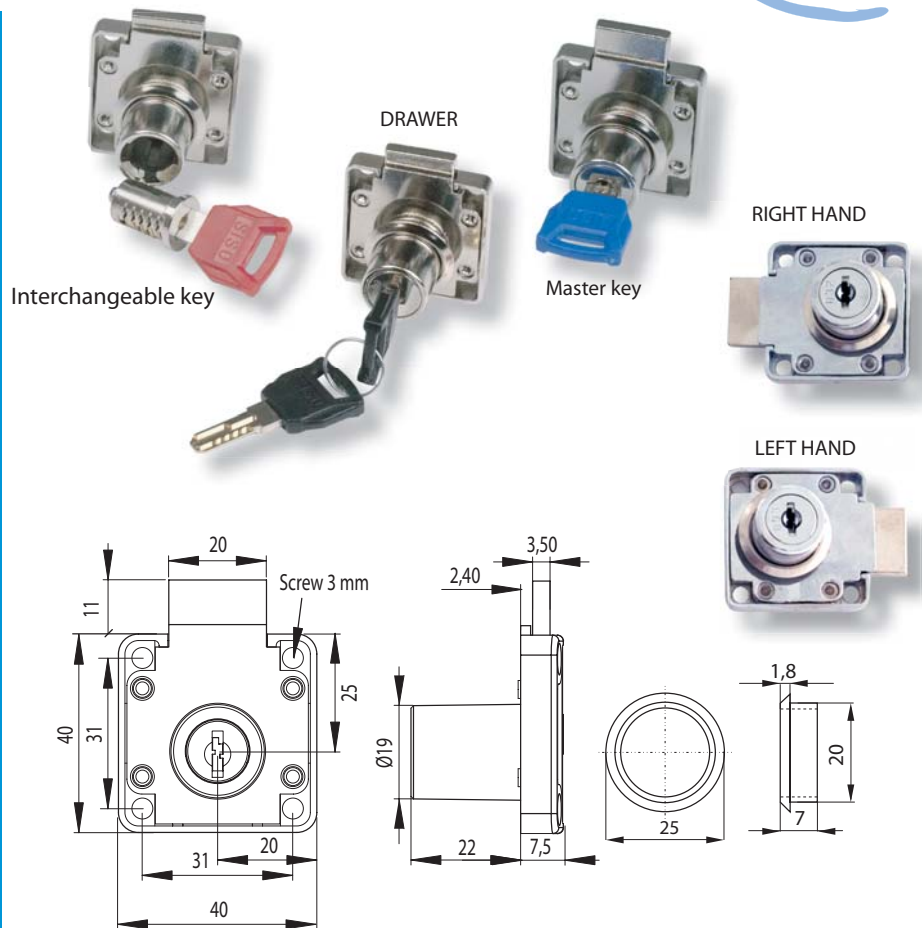
Nickel plated
Other finishes on request

Packing:

25 pcs per box
250 pcs per export carton

Item No.:

- Drawer (no MIC) # 14.00.200
- Drawer w/master key system # 14.00.210
- Drawer w/MIC system # 14.00.220
- Right hand w/MIC system # 14.00.221
- Left hand w/MIC system # 14.00.222
- Master key (blue) # 14.04.137
- Interchangeable key (red) # 14.04.138



RIM LOCK NO. 850 W/TUBULAR KEYS

Application:

For drawers, wardrobes & cabinets

Accessories for one set:

- 1 lock w/cylinder $\varnothing 19 \times 22$ mm
- 1 rosette
- 2 SISO tubular car keys

Specifications:

Lock body & cylinder made of zamak
Innercore made of brass material
Rosette & keys made of steel
Drawer. Left & right available on request

2000 key combinations

Packing:

15 pcs per box
120 pcs per export carton

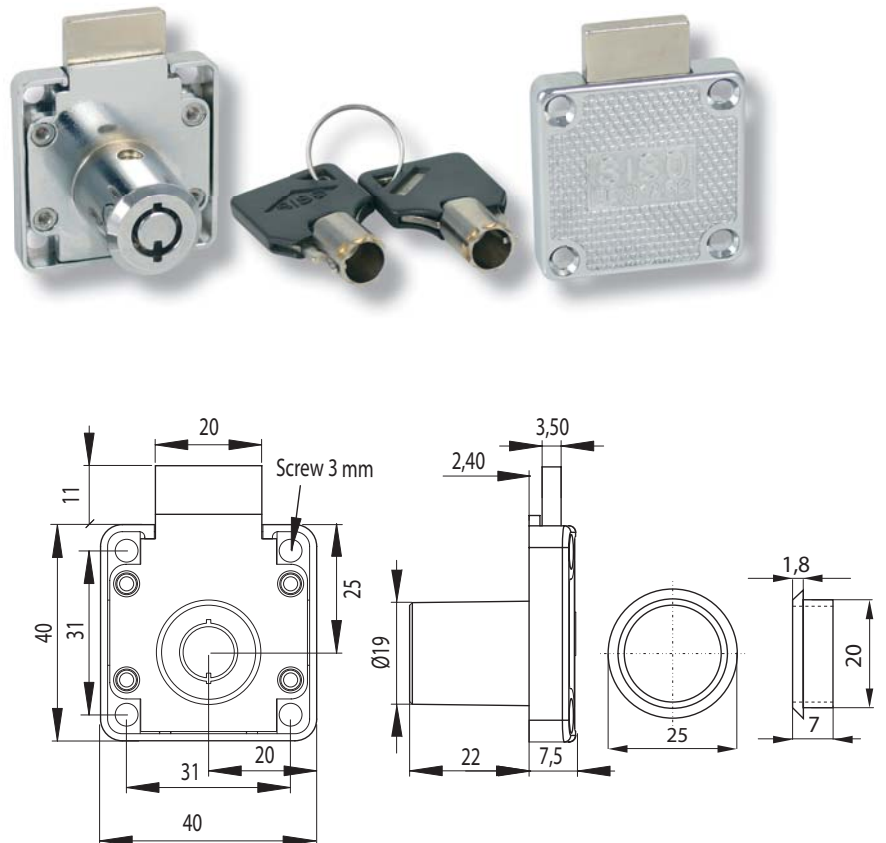
Item No.:

- Nickel plated # 14.00.100

Also available with key retention
(no key pull out when open)

Item No.:

- Nickel plated #14.00.101



Application:

Drawers, wardrobes and cabinets etc. where you want to drill hole further from the edge

Accessories for one set:

- 1 lock
- 1 rosette
- 2 SISO car keys

Specification:

Zamak lock body & cylinder
Steel rosette & keys
400 key combinations
Drawer version. Left & right hand versions available on request
Master key & Interchangeable system available on request

Finish:

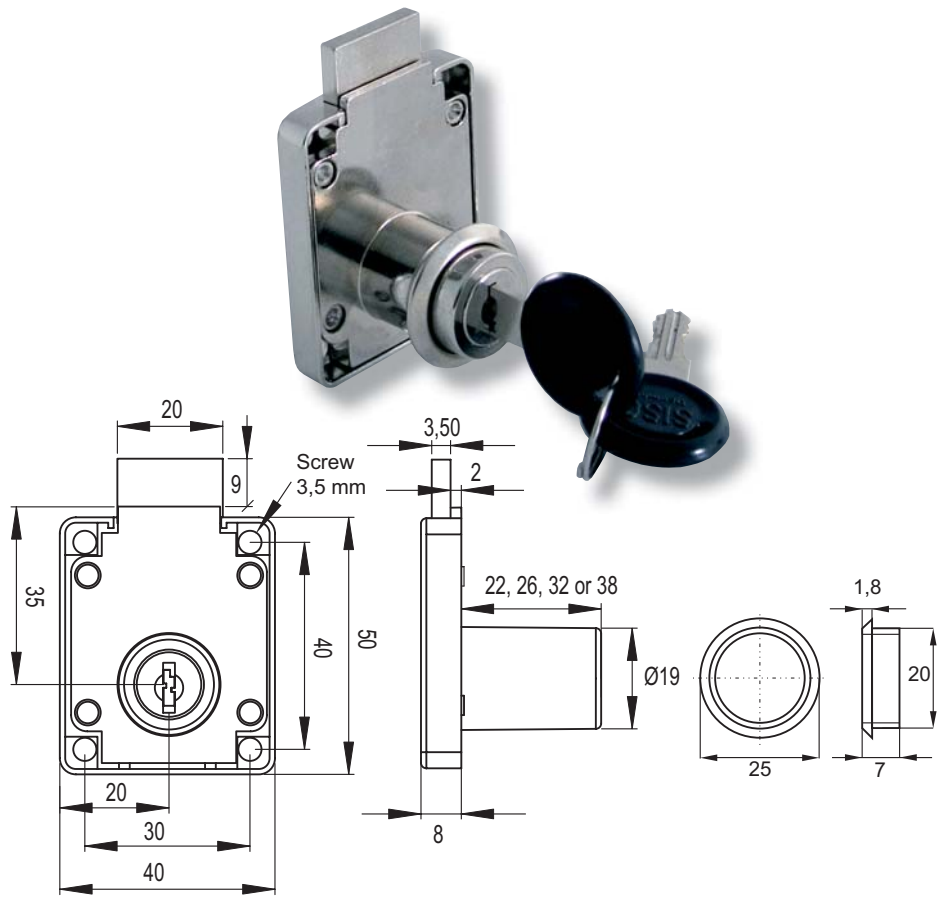
Nickel plated
Other finishes upon request

Packing:

12 pcs per box
240 pcs per export carton

Item No.:

- Right # 14.01.096
- Left # 14.01.095
- Drawer # 14.01.097



LOCK W/ADJUSTABLE BACKSET MODEL "SERBIA"

Application:

Drawers, wardrobes and cabinets etc.

Accessories one set:

- 1 lock
- 1 rosette
- 2 SISO metal keys

Specification:

Zamak lock body & cylinder
Steel rosette & keys
60 key combinations
Drawer version. Left & right hand versions available on request

Finish:

Nickel plated
Other finishes upon request

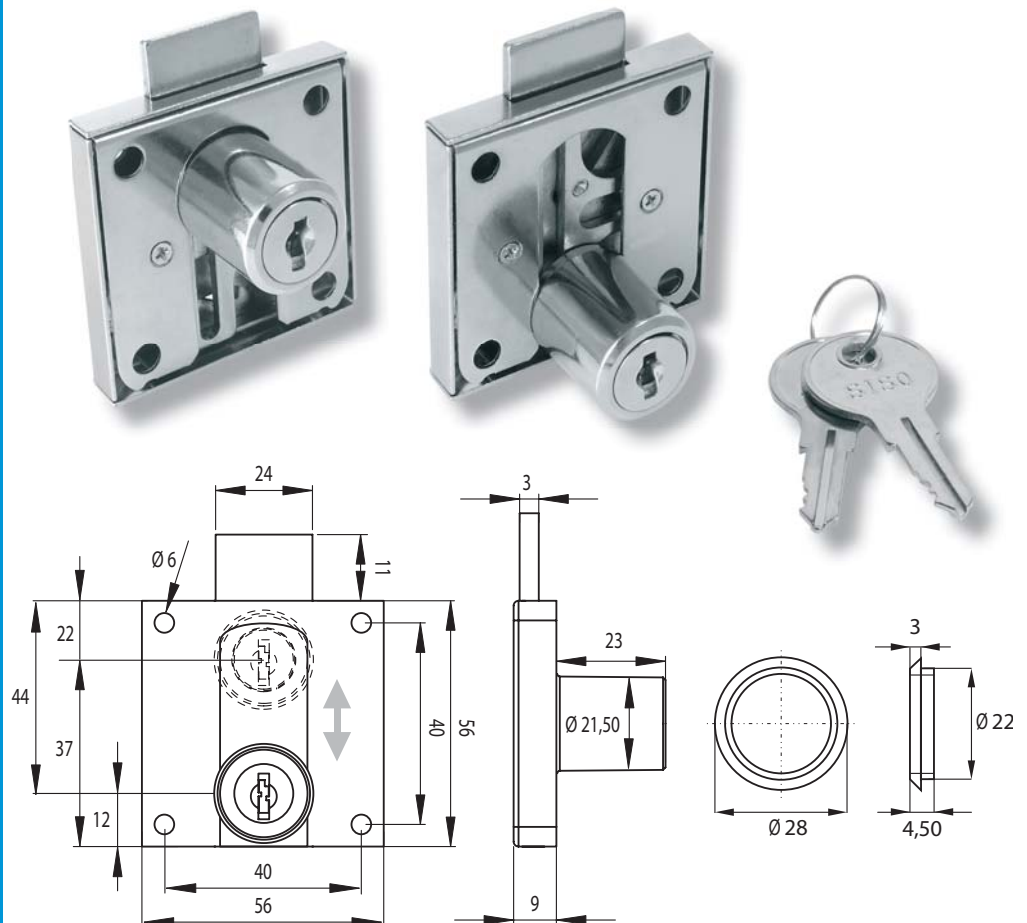
Packing:

30 pcs per box
300 pcs per carton

NB!

You can drill a hole for cylinder any place between 22 and 44 mm from cabinet edge

Item No.: # 14.01.015



RIM LOCK W/ADJUSTABLE BACKSET NO. 965



Application:

Drawers, wardrobes and cabinets

Accessories for one set:

- 1 lock
- 1 rosette
- 2 SISO car keys

Adjustable backset:

15, 20, 25, 30, 35, 40 mm
To adj. backset, remove the cylinder from the housing screwdriver and mount it in the required backset position

Specification:

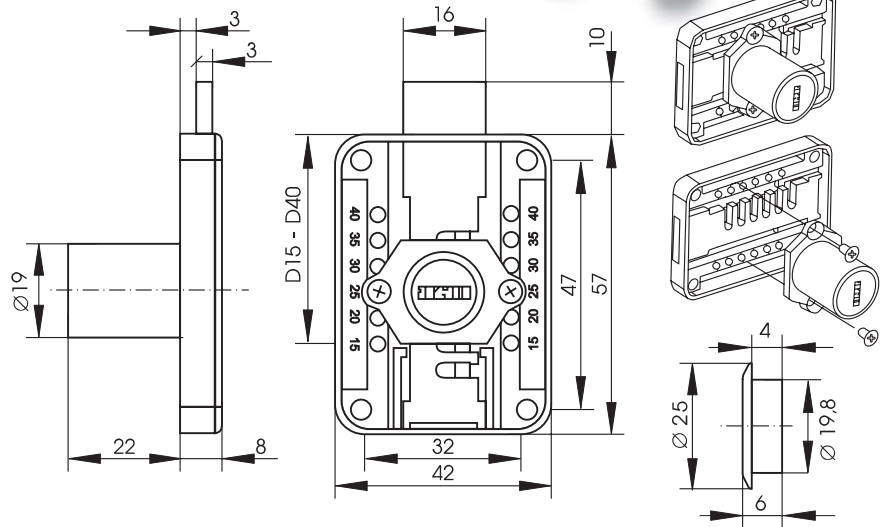
Zamak lock body & cylinder
Steel rosette & keys
400 key combinations
Left & right hand versions. Drawer version available on request
Master key & Interchangeable system available on request

Finish:

Nickel plated
Other finishes upon request

Item No.:

- Right hand # 14.01.013
- Left hand # 14.01.012



RIM LOCK NO. 850-N - Millennium

Application:

Drawers, wardrobes and cabinets

Accessories for one set:

- 1 lock
- 1 rosette
- 3 mounting screws
- 2 SISO round metal keys

Specification:

Zamak lock body & cylinder
Steel rosette, screws & keys
Cylinder dia. 19 or 16,5 mm
400 key combinations
Drawer version. Left & right hand versions available on request
Master key & Interchangeable system available on request

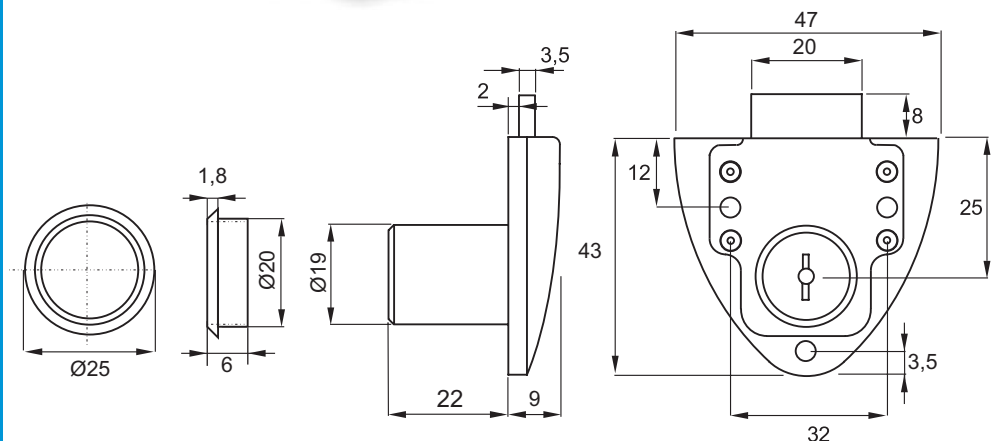
Finish:

- Nickel plated
- Aluminium finish
- Black anodized
- Black nickel
- Gold plated

Packing:

- 12 pcs per box
- 240 pcs per export carton

Item No.: # 14.01.050 etc.



Application:

Drawers, wardrobes and cabinets

Accessories for one set:

- 1 lock
- 1 rosette
- 2 SISO car keys

Specification:

Zamak lock body & cylinder
 Steel rosette & keys
 Cylinder diam. 19
 Cylinder lengths: 22 mm
 400 key combinations
 Drawer version. Left & right hand
 version available on request
 Master Key system available
 on request

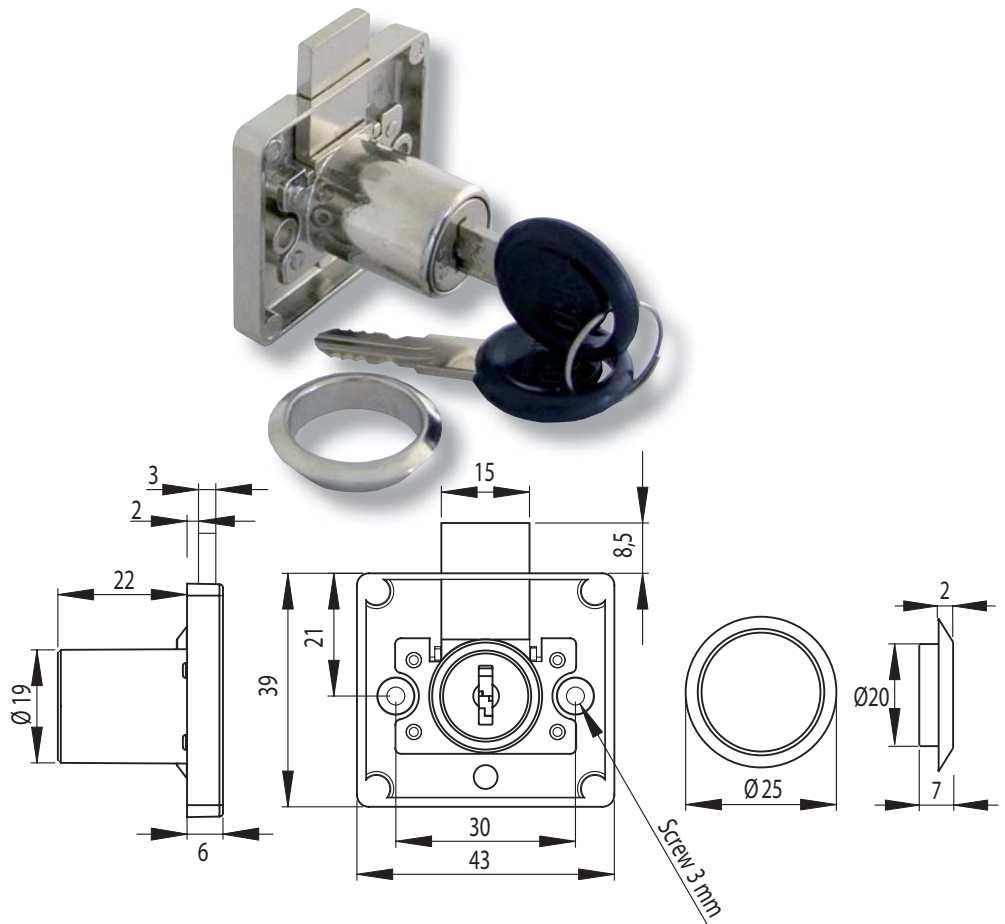
Finish:

Nickel plated
 Black anodized
 Other finishes upon request

Packing:

12 pcs per box
 240 pcs per export carton

Item No.: # 14.01.000 etc.



RIM LOCK NO. 850, LONG LATCH

Application:

Drawers, wardrobe, cabinets
 where big gab is expected
 or locking double door
 middle wall in between

Accessories for one set:

- 1 lock
- 1 rosette
- 2 SISO car keys

Function:

Turn key 180° latch come out half
 turn 360° latch will extend twice

Specification:

Zamak lock body & cylinder
 Steel rosette & keys
 Cylinder length 22 & 32 mm
 400 key combinations
 Drawer version. Left & right hand
 version available on request
 Master Key system available
 on request

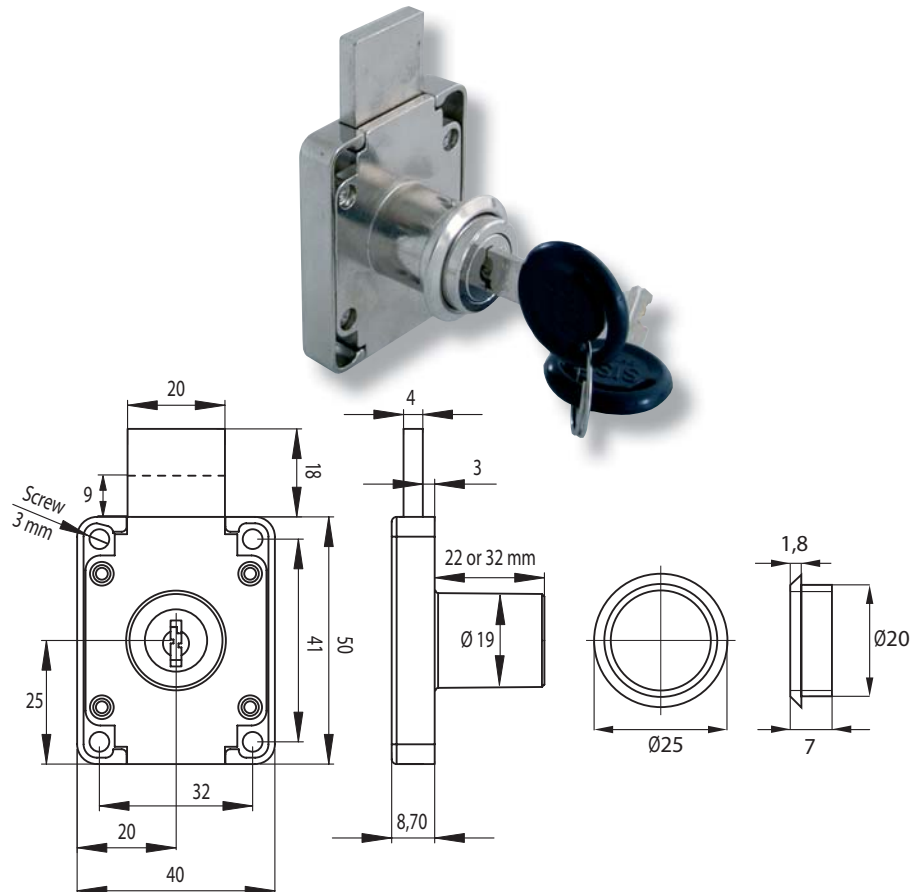
Finish:

Nickel plated
 Other finishes upon request

Packing:

12 pcs per box
 240 pcs per export carton

Item No.: # 14.01.090



RIM LOCK NO. 853N "MILLENNIUM"



Application:

Drawers, wardrobes and cabinets

Accessories for one set:

- 1 lock
- 1 rosette
- 4 screws
- 2 SISO car keys

Specification:

Zamak lock body & cylinder
Steel rosette & keys
400 key combinations or key alike
Drawer version. Left & right hand
version available on request
Master key & Interchangeable
system available on request

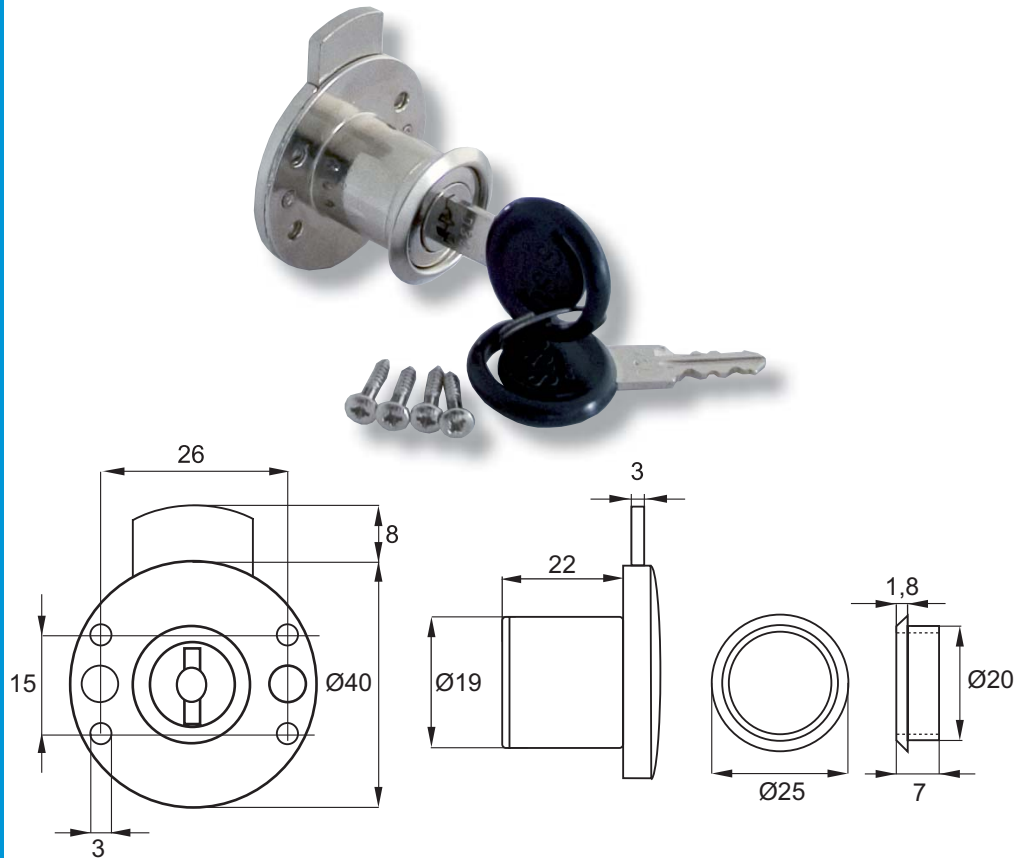
Finish:

Nickel plated
Other finishes upon request

Packing:

12 pcs per box
240 pcs per export carton

Item No.: # 14.01.269 etc.



RIM LOCK NO. 850 GREY SISO DK name plate

Application:

Drawers, wardrobes and cabinets

Accessories for one set:

- 1 lock w/cylinder \varnothing 19 x 22 mm
- 1 rosette
- 2 SISO car keys

Specifications:

Zamak lock body & cylinder
Steel rosette & keys
SISO DK name plate grey plastic.
400 key combinations
Drawer. Left & right available on
request

Master key system available
Interchangeable system
NOT possible

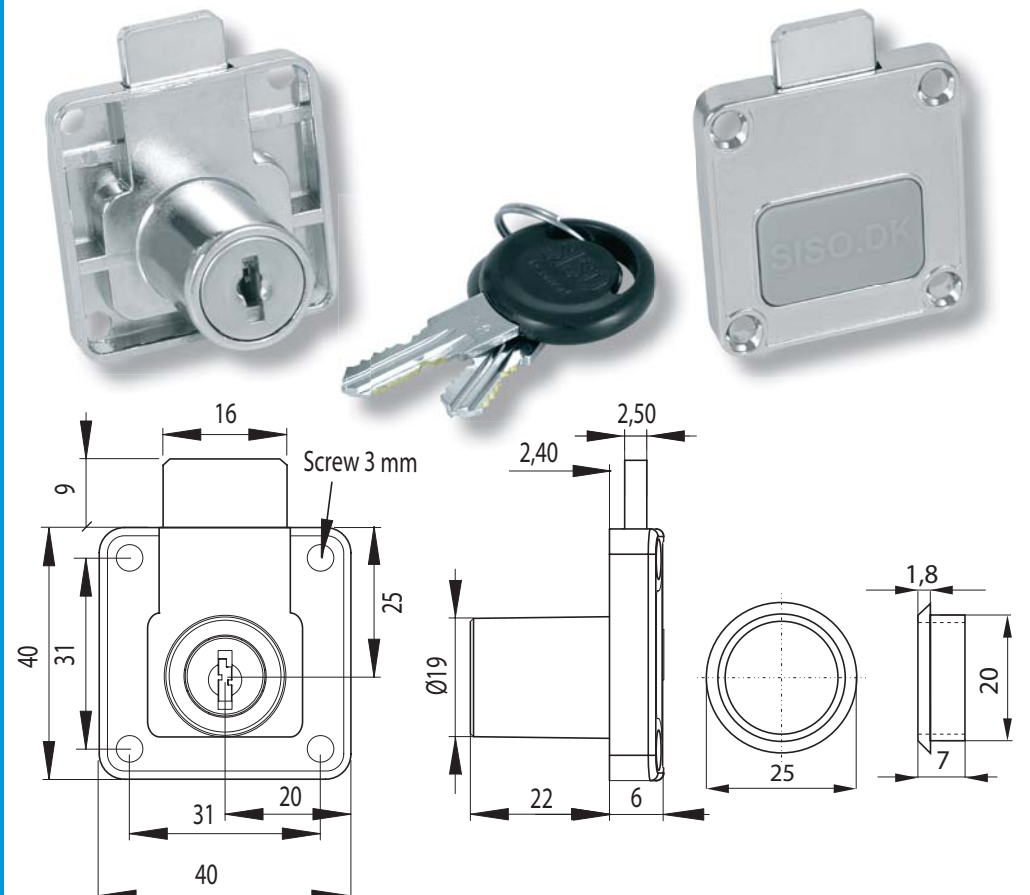
Packing:

12 pcs per box
240 pcs per export carton

Item No.:

Nickel plated # 14.01.054

Other finishes upon request



Application:

Drawers, wardrobes and cabinets

Accessories for one set:

- 1 lock
- 1 rosette
- 2 SISO car keys

Specification:

Steel lock body, rosette & keys
Zamak cylinder
400 key combinations
Drawer version. Left & right hand version available on request
Master Key system available on request

Finish:

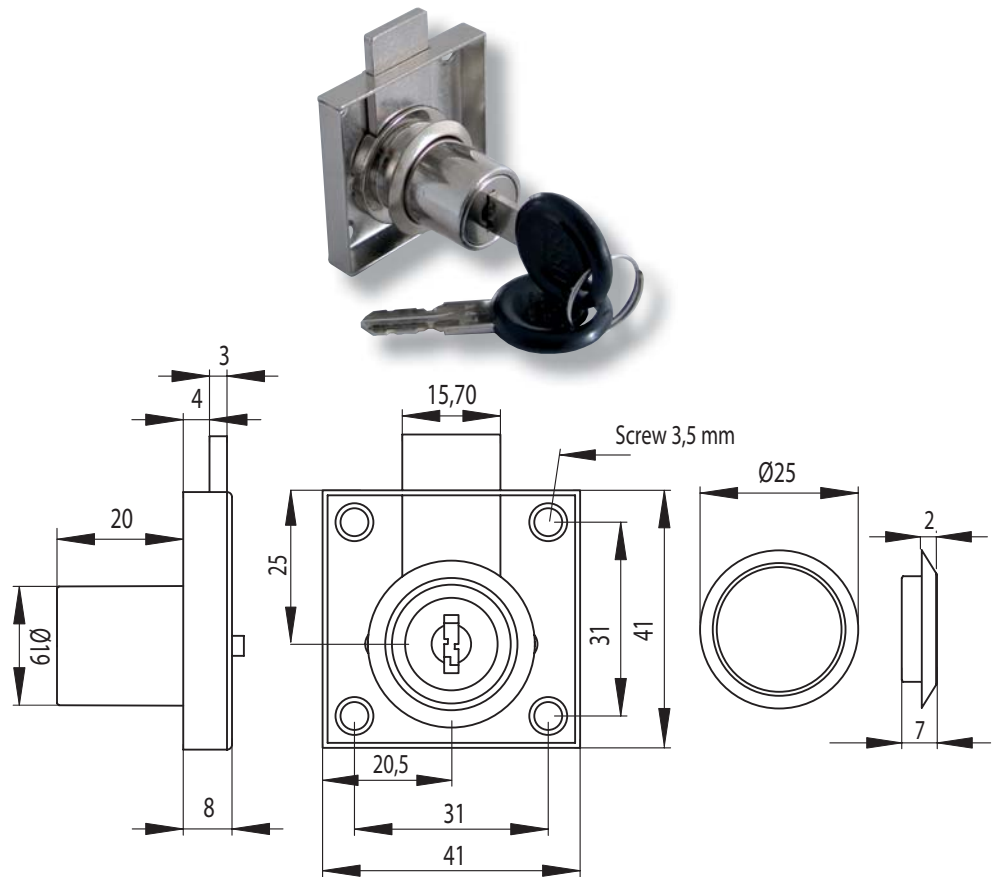
Nickel plated

Packing:

- 12 pcs per box
- 240 pcs per export carton

Item No.:

14.02.130



RIM LOCK NO. 850 W/PLASTIC BODY

Application:

Drawers, wardrobes and cabinets

Accessories for one set:

- 1 lock w/cylinder \varnothing 19 x 22 mm
- 1 rosette
- 2 neutral car keys or hinged car keys (HCK)

Specifications:

Lock body made of plastic.
Cylinder made of zamak.
Rosette & keys made of steel
Drawer version. Left & right hand version available on request

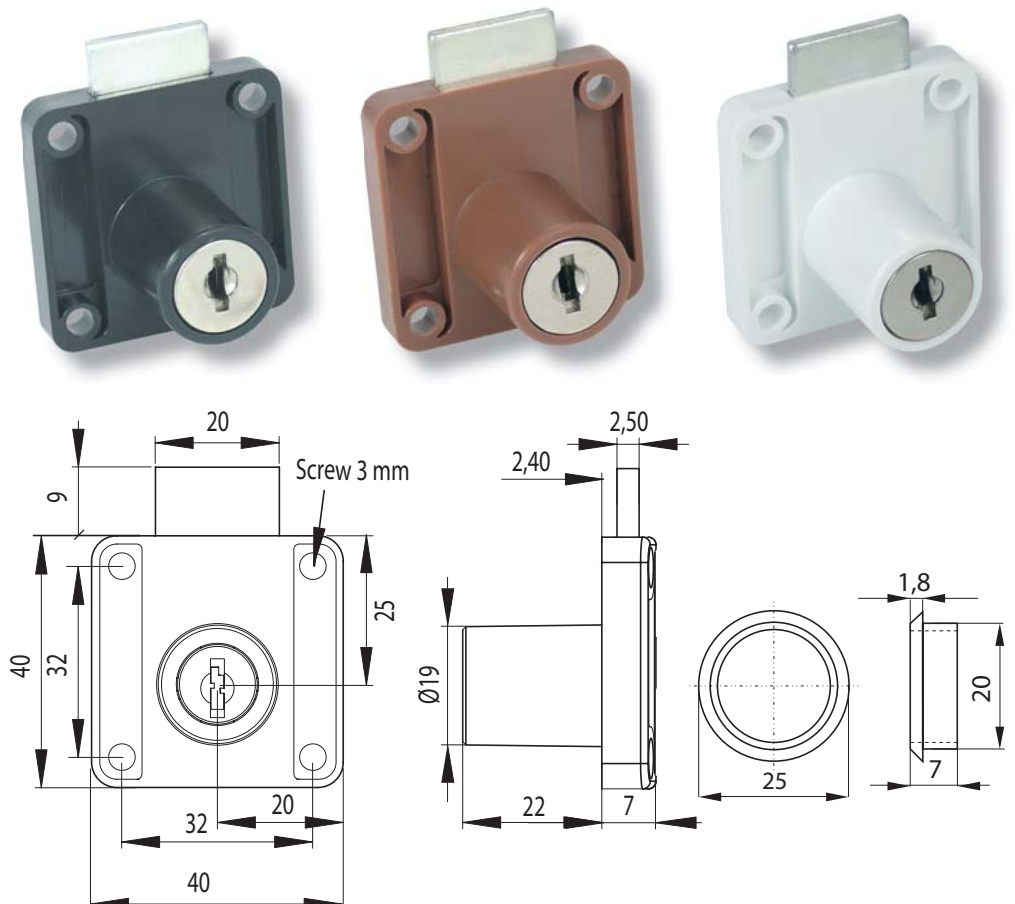
Only available as key alike.

Packing:

- 12 pcs per box
- 240 pcs per export carton

Item No.:

- Black w/car keys # 14.01.051-1
- Black w/hinged CK # 14.01.051-3
- Brown w/car keys # 14.01.051-5
- White w/car keys # 14.01.051-9



RIM LOCK DOUBLE "LOCKING"

Application:

Perfect for double door cabinets and wardrobes

Accessories for one set:

- 1 lock w/cylinder $\varnothing 19 \times 22$ mm
- 1 rosette
- 2 L-shaped striking plates
- 2 SISO car keys

Specifications:

Lock body & cylinder made of zamak
 Rosette, striker & keys made of steel
 400 key combinations or key alike
 Right or left hand version

Finish:

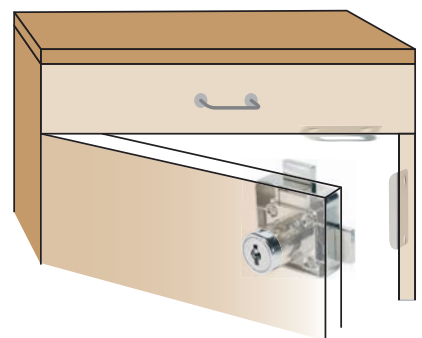
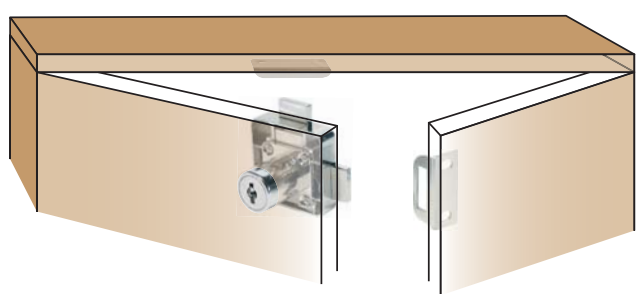
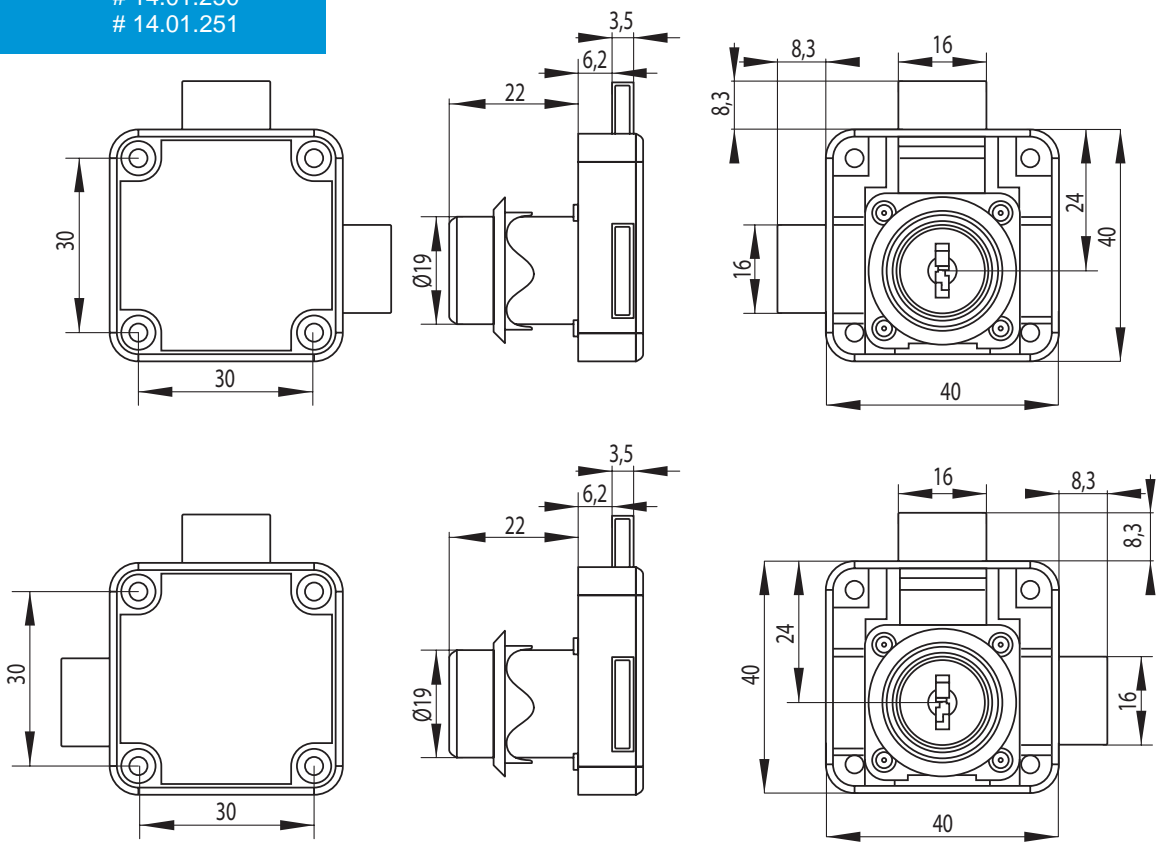
Nickel plated
 Other finishes upon request

Packing:

12 pcs per box
 240 pcs per export carton

Item No.:

- Right # 14.01.250
- Left # 14.01.251



Application:

Hotel minibars, tills, drawers, wardrobes and cabinets

Accessories for one set:

- 1 lock
- 1 rosette
- 1 striking plate
- 2 SISO car keys

Function:

Spring loaded tongue allows doors and drawers to push lock automatically

Specification:

Zamak lock body & cylinder
Steel rosette & keys
400 key combinations
Steel rosette, keys & striker
Drawer version. Left & right hand version available on request
Master Key system available on request

Finish:

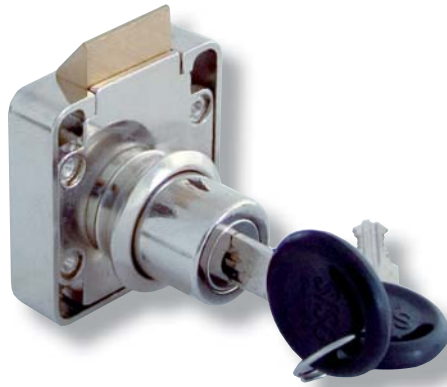
Nickel plated

Packing:

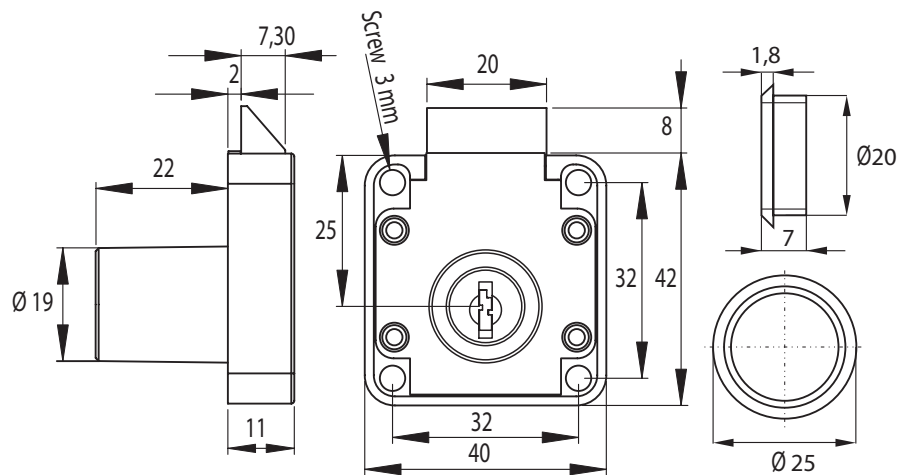
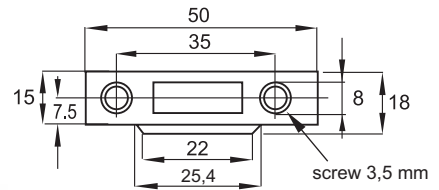
- 12 pcs per box
- 240 pcs per export carton

Item No.:

14.01.481



STRIKER PLATE



SLAM LOCK NO. 856N "Millennium"

Application:

Hotel mini bars, tills, drawers, wardrobes and cabinets

Accessories for one set:

- 1 lock
- 1 rosette
- 1 striking plate
- 2 SISO car keys
- 3 mounting screws

Function:

Spring loaded tongue allows doors and drawers to push lock automatically

Specification:

Zamak lock body & cylinder
Steel rosette & keys
400 key combinations
Steel rosette, keys, striker & screws
Drawer version. Left & right hand version available on request
Master Key system available on request

Finish:

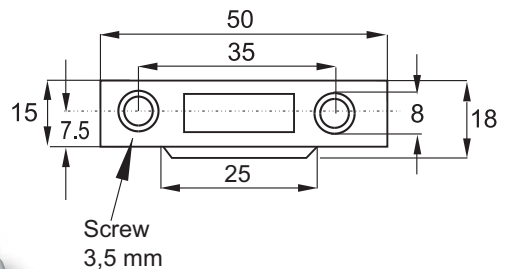
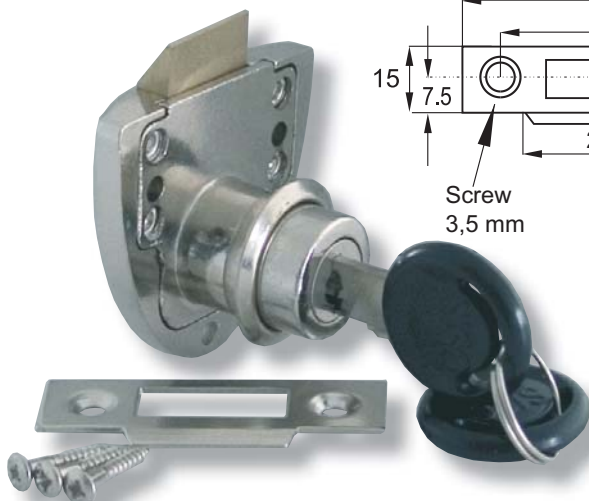
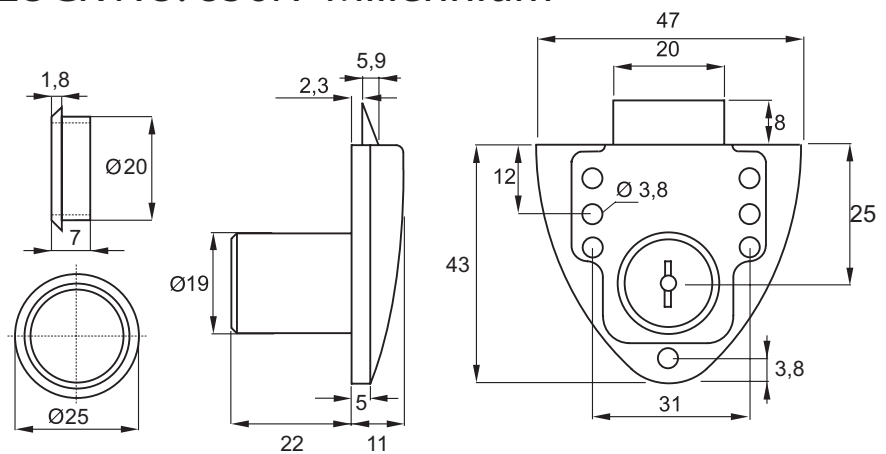
Nickel plated

Packing:

- 12 pcs per box
- 240 pcs per export carton

Item No.:

14.01.482



Application:

Hotel mini bars, tills, drawers, wardrobes and cabinets

Accessories for one set:

- 1 lock
- 1 rosette
- 2 neutral car keys

Function:

Spring loaded tongue allows doors and drawers to push lock automatically

Specification:

Zamak lock body & cylinder
Steel rosette & keys
500 key combinations
Drawer version. Left & right hand version available on request
Master key & Interchangeable system available on request

Finish:

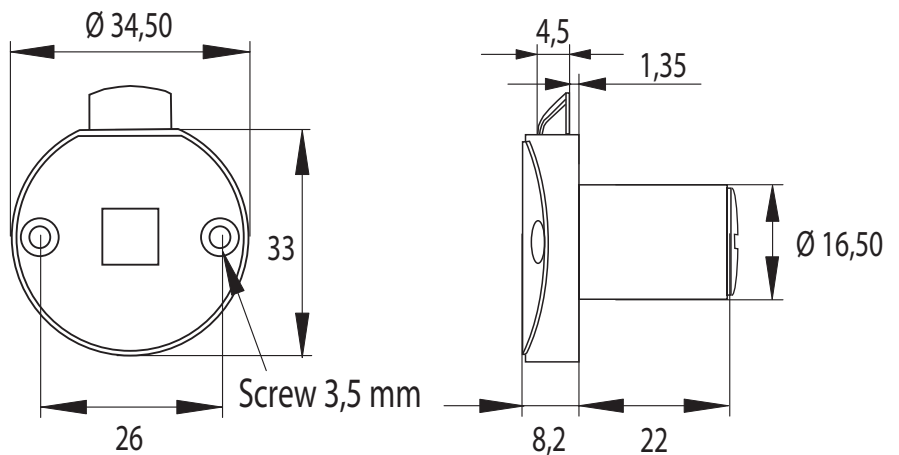
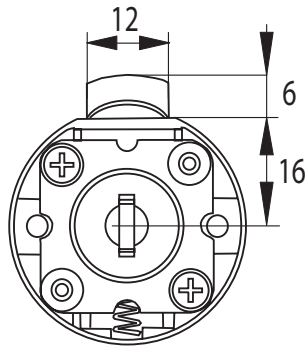
- Nickel plated
- Others upon request

Packing:

- 12 pcs per box
- 240 pcs per export carton

Item No.:

- Lock # 14.01.495
- Master key # 14.04.122
- Interchangeable key # 14.01.132



ROLL BLIND LOCK NO. 2159

Application:

Roller shutter doors vertical or horizontal sliding doors

Accessories for one set:

- 1 lock
- 1 rosette
- 1 flat striking plate
- 2 SISO car keys

Function:

To open turn key 30°
Spring loaded hooks allow automatic push locking

Specification:

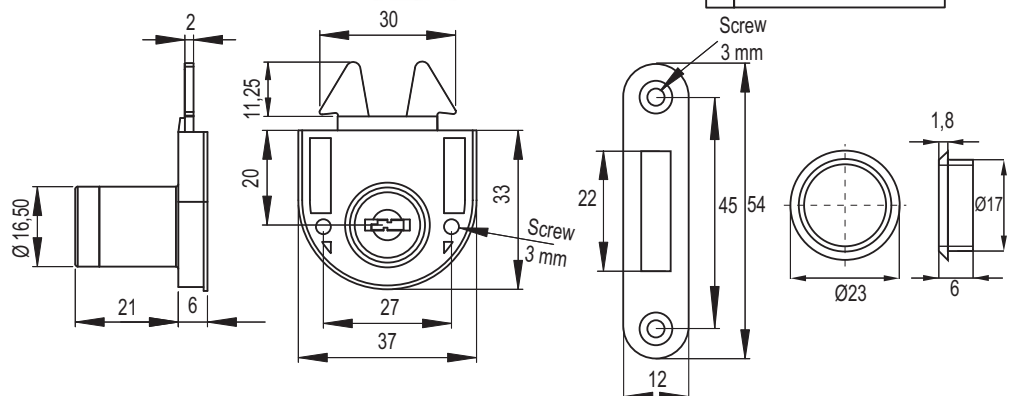
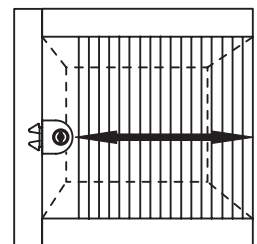
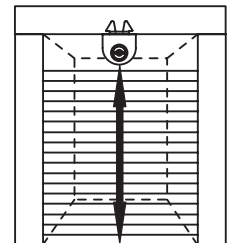
Lock body - black plastic
Zamak cylinder - nickel plated
Steel rosette,striker & keys
200 key combinations
Master Key system available on request

Packing:

- 25 pcs per box
- 250 pcs per export carton

Item No.:

- Key to differ (KD) # 14.01.470
- KD w/master key # 14.01.471



Application:

Roller shutter doors vertical or horizontal sliding doors

Accessories for one set:

- 1 lock
- 1 rosette
- 1 flat striking plate
- 2 SISO car keys

Optional:

Raised striking plate for more security. Item No. # 14.01.500

Function:

To open turn key 30°
Spring loaded hooks allow automatic push locking

Option:

Vertical key position as illustrated, or horizontal position upon request

Specification:

Zamak lock body & cylinder
Steel rosette & keys
Cylinder dia. 19 or 16,5 mm
Cylinder lengths: 22 or 32 mm
400 key combinations or key alike
Master Key system available on request

Finish:

- Nickel plated
- Brass plated
- Black anodized

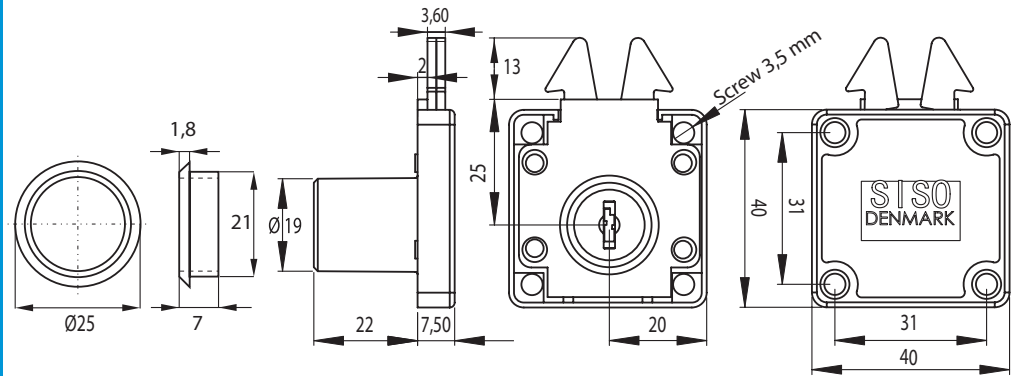
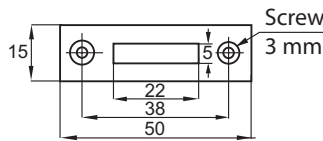
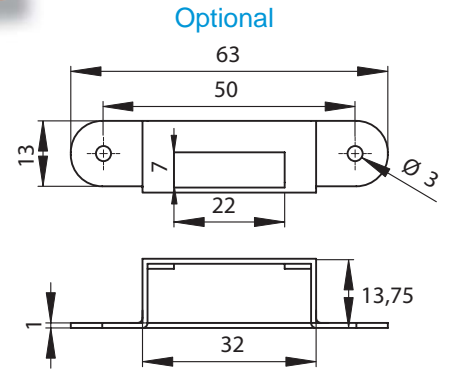
Packing:

- 12 pcs per box
- 240 pcs per export carton

Item No.: # 14.01.450 etc.



Lock shown raised striker



ROLL BLIND LOCK NO. 855 W/PUSH KNOB

Application:

For vertical roller shutter doors or horizontal sliding doors

Accessories for one set:

- 1 lock w/cylinder Ø19 x 22 mm
- 1 rosette
- 1 flat striking plate

Function:

Push knob to release/open the lock

Specifications:

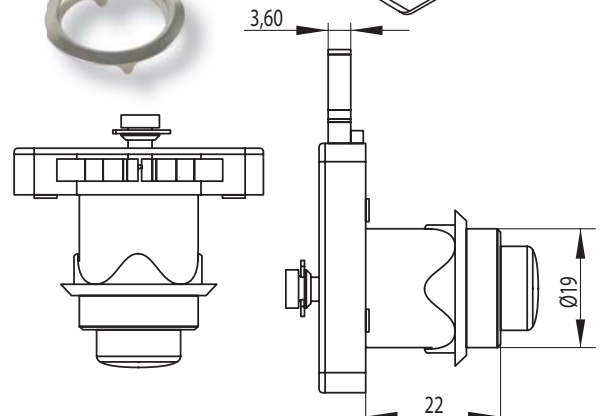
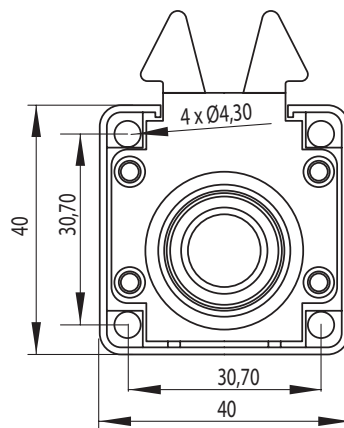
Lock body and core zamak.
Rosette made of steel

Item No.:

Nickel plated: # 14.01.462

Packing:

- 12 pcs per box
- 240 pcs per export carton



ROLLER SHUTTER/SLIDING DOOR LOCK W/PLASTIC STRIKER MODEL "VERTI"



Application:

Vertical roller shutter doors
& sliding doors

Accessories one set:

- 1 lock
- 1 black plastic striking plate
- 1 rosette
- 2 neutral car keys

Function:

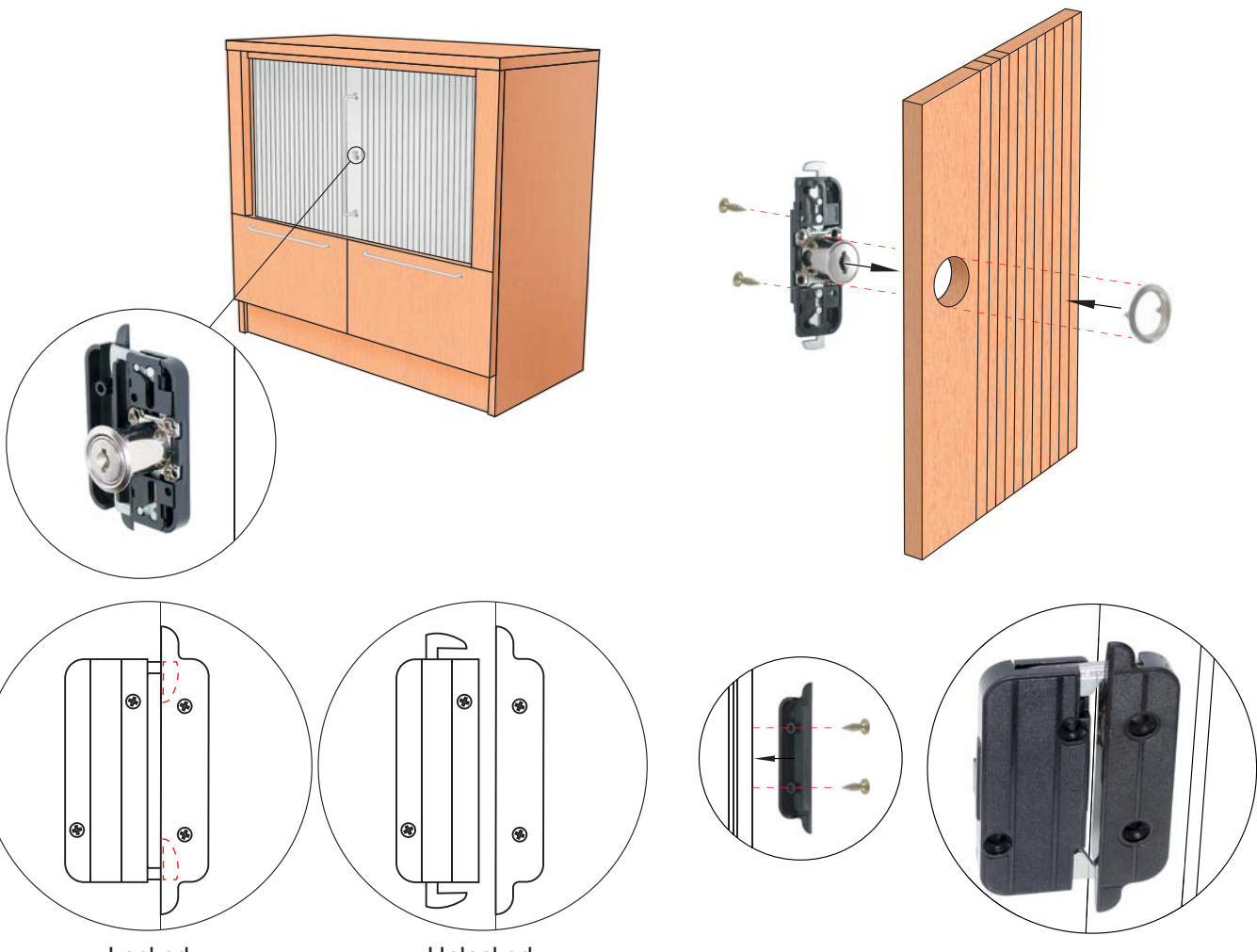
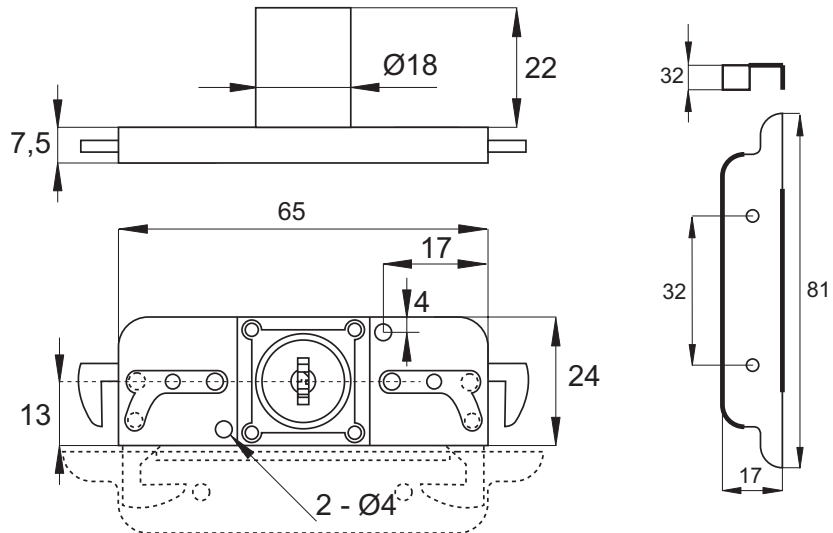
Turn key 180° and 2 hooks will
move out from the lock body
anchoring into the enclosed striker

Specification:

Lock body: black nylon
Zamak cylinder & hooks
Cylinder \varnothing 18 mm
Cylinder length 22 mm
400 key combinations or key alike
Master key & Interchangeable
system available on request

Item No.:

- Lock # 14.01.400
- Master key # 14.04.122
- Interchangeable key # 14.04.132



Locked

Unlocked

Application:

Vertical roller shutter doors
& sliding doors

Accessories one set:

- 1 lock
- 1 steel nickel plated striking plate
- 1 rosette
- 2 neutral car keys

Function:

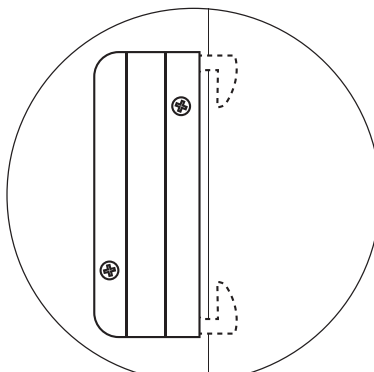
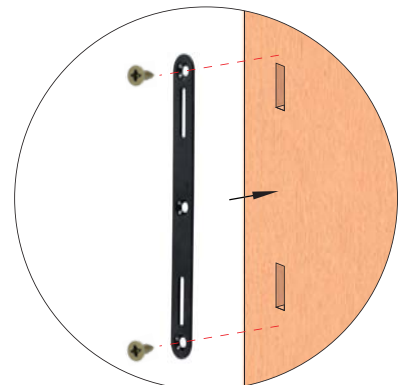
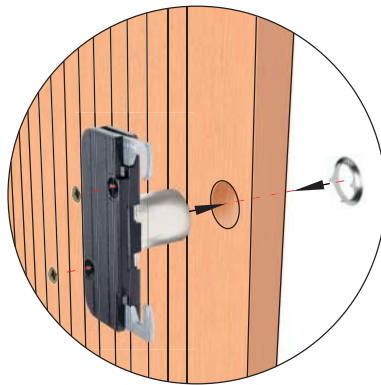
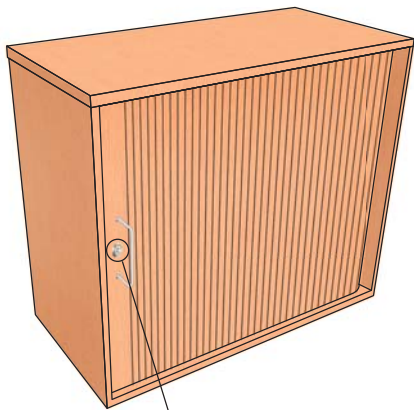
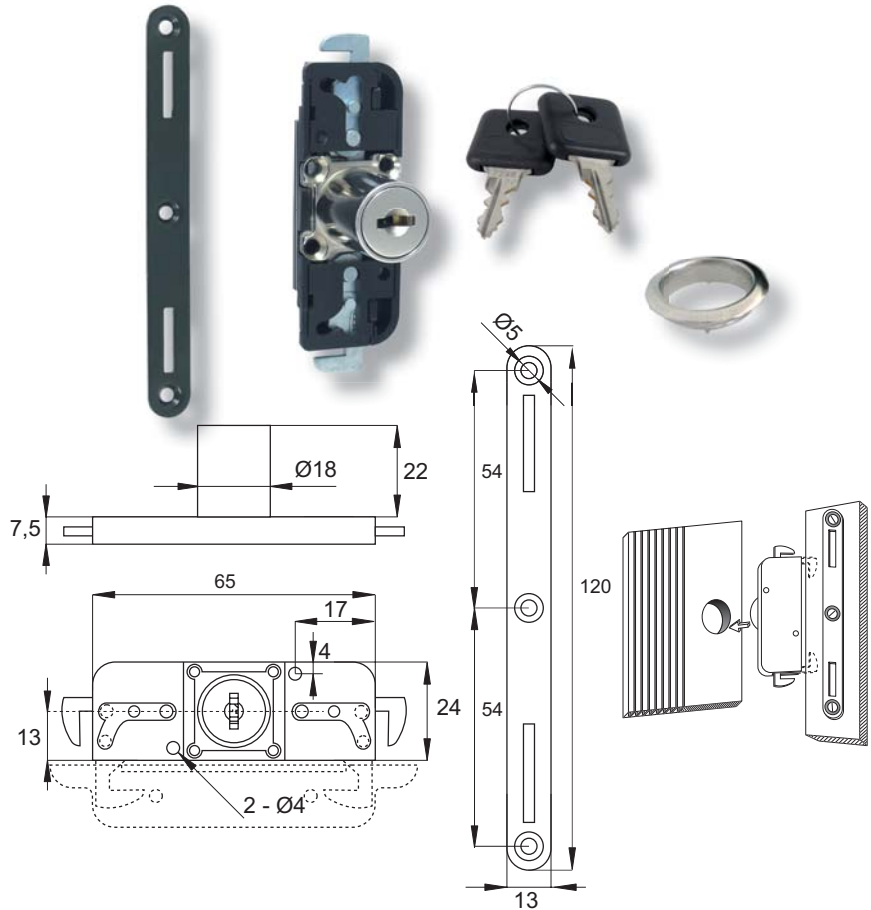
Turn key 180° and 2 hooks will move out from the lock body anchoring into the enclosed striker

Specification:

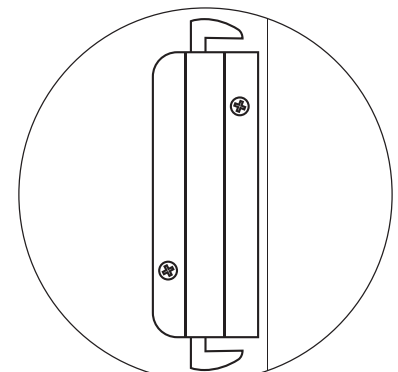
Lock body: black nylon
Zamak cylinder & hooks
Cylinder $\varnothing 18$ mm
Cylinder length 22 mm or 32 mm
400 key combinations or key alike
Master key & Interchangeable system available on request

Item No.:

- Lock $\varnothing 18 \times 22$ mm # 14.04.105
- Lock $\varnothing 18 \times 32$ mm # 14.01.108
- Master key # 14.04.122
- Interchangeable key # 14.04.132



Locked



Unlocked

CAM LOCK NO. 5250



Application:

Drawers, wardrobe, cabinets, universal for many diff. purposes ONE WING TYPE mainly applied for shutter doors

Accessories for one set:

- 1 lock
- 1 rosette
- 2 SISO car keys or metal keys

Option:

19 mm cylinder diam and many other different cam types available upon request
Other rotation angle

Specification:

Zamak lock body & cylinder
Steel rosette, cam & keys
400 key combinations
Master Key system available on request

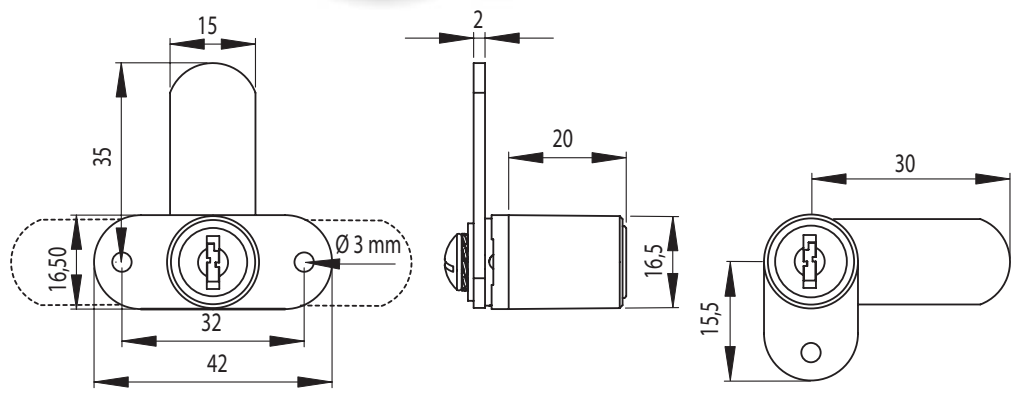
Finish:

Nickel plated
Others upon request

Packing:

12 pcs per box
240 pcs per export carton

Item No.: # 14.04.605 etc.



PUSH AND TURN LOCK NO. 919

Application:

Heavy duty sliding doors
Flap doors

Accessories for one set:

- 1 lock
- 1 rosette
- 1 striking plate
- 2 SISO car keys

Function:

To lock push cylinder and turn key to allow cam enter back door
Key removable in locked and unlocked position

Specification:

Zamak lock body & cylinder
Steel rosette,striker & keys
Cylinder diam. 19 mm
Cylinder lenght 24 mm
400 different key combinations
Master Key system available on request

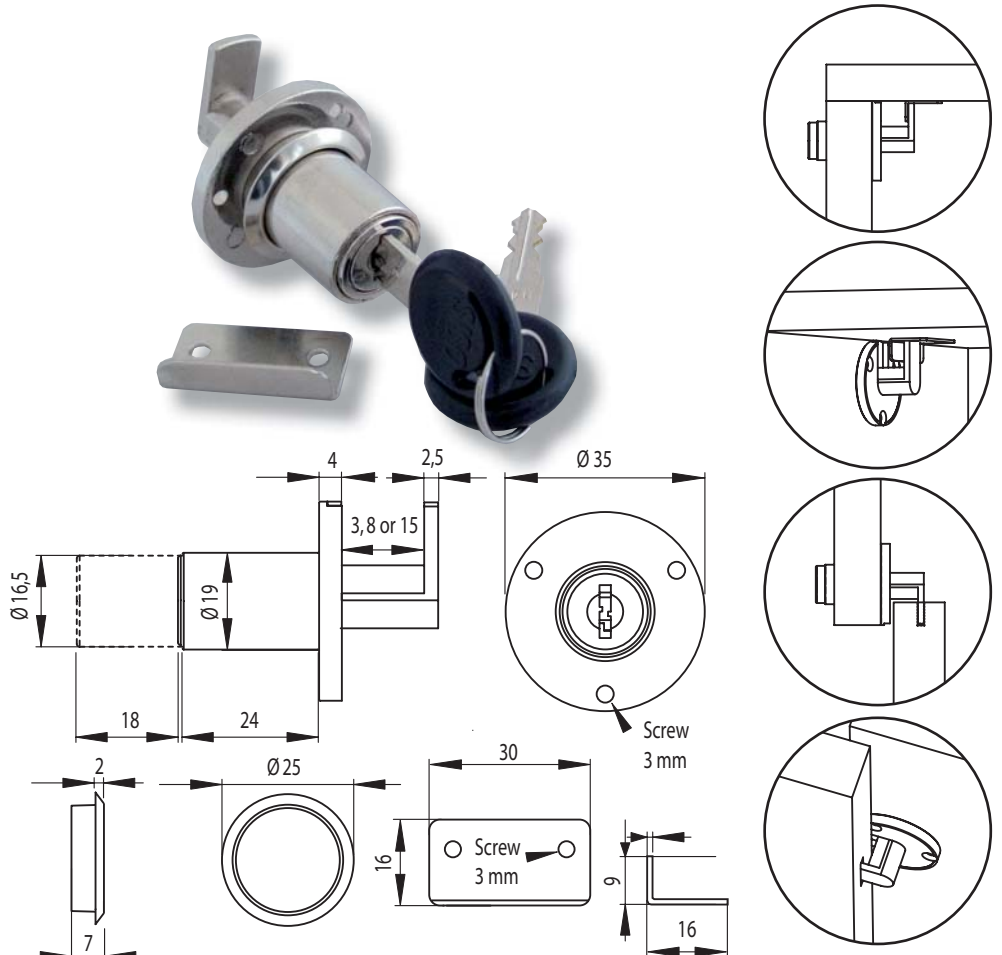
Finish:

Nickel plated
Other finishes upon request

Packing:

30 pcs per box
300 pcs per export carton

Item No.: # 14.03.004 etc.



Accessories for one set:

- 1 lock
- 1 hex nut or 1 snap on clip
- 2 SISO metal keys
- 1 cam
- 1 transparent plastic washer

Specification:

Zamak lock body & cylinder
 Steel hex nut, cam & keys
 50 key combinations or key alike
 90° turn

Option:

- Other cam style/sizes
- Other rotation angle

Finish:

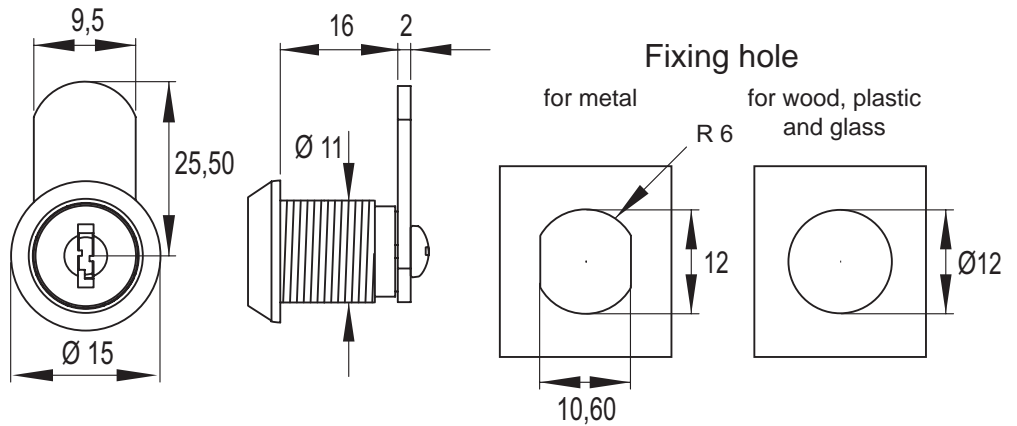
- Chrome plated
- Others upon request

Packing:

- 100 pcs per box
- 500 pcs per export carton

Item No.:

- Key to differ # 14.04.426
- Key alike # 14.04.425



CAM LOCK NO. 1911

Accessories for one set:

- 1 lock
- 1 hex nut or snap clip
- 2 SISO car keys
- 1 cam No. 7 spun on to lock body

Specification:

Zamak lock body & cylinder
 Steel hex nut, spring clip, cam & keys
 400 key combinations or key alike
 180° turn
 Master Key system available on request

Option:

- Other cam style/sizes
- Other rotation angle
- Conical face

Finish:

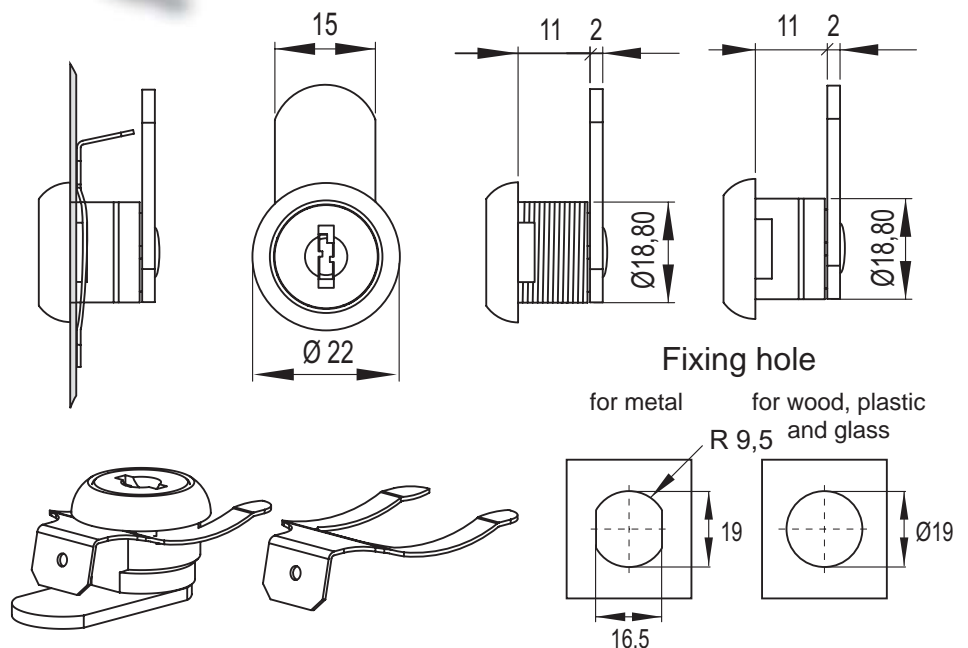
- Chrome plated

Packing:

- 24 pcs per box
- 480 pcs per export carton

Item No.:

- # 14.04.430 etc.



CAM LOCK NO. 1916



Accessories for one set:

- 1 lock
- 2 SISO car keys
- 1 hex nut or 1 snap on clip
- 1 cam
- 1 transparent plastic washer

Specification:

Zamak lock body & cylinder
 Dome face model stainless steel
 Steel hex nut, cam & keys
 400 key combinations
 90° or 180° turn
 Master Key system available on request

Option:

Other cam style/size
 Key removable in locked position only
 Transparent plastic washer

Finish:

Conical face - Chrome plated
 Dome face - Stainless steel

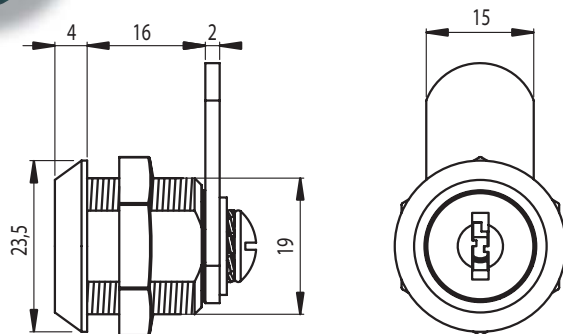
Packing:

24 pcs per box
 480 pcs per export carton

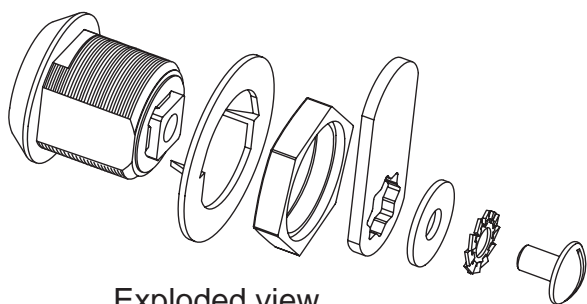
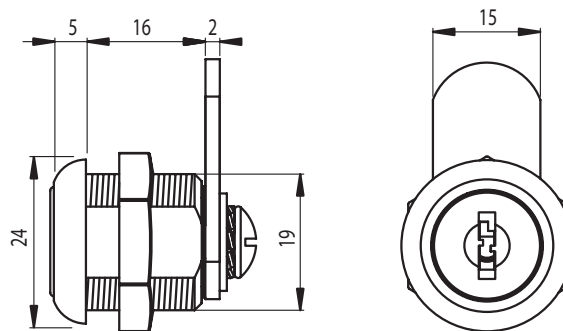
Item No.: # 14.04.461 etc.



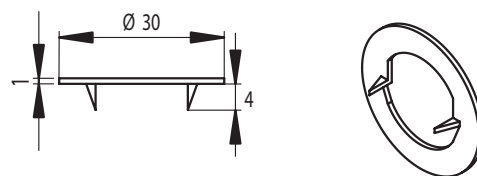
Conical face
Zinc alloy



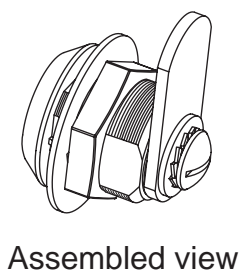
Dome face
Stainless steel



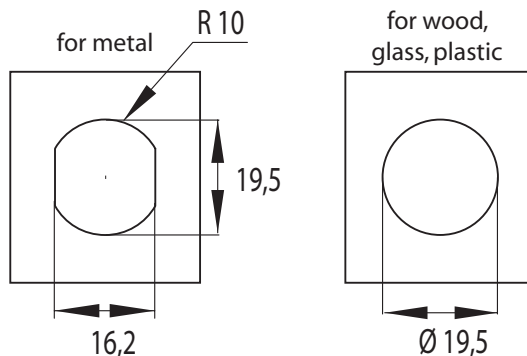
Exploded view



Fixing hole



Assembled view





Accessories for one set:

- 1 lock
- 2 SISO car keys
- 1 hex nut or snap clip
- 1 pronged washer
- 1 cam

Specification:

Zamak lock body & cylinder
 Dome face model stainless steel
 Steel hex nut, cam & keys
 400 key combinations
 Master key & Interchangeable system available on request

Option:

Other cam style/size
 Key removable in locked position only on locks 90° rotating only
 90° or 180° turn

Finish:

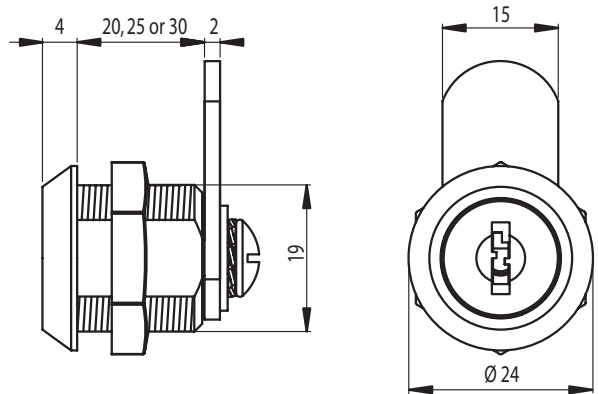
Conical face - Chrome plated
 Dome face - Stainless steel

Packing:

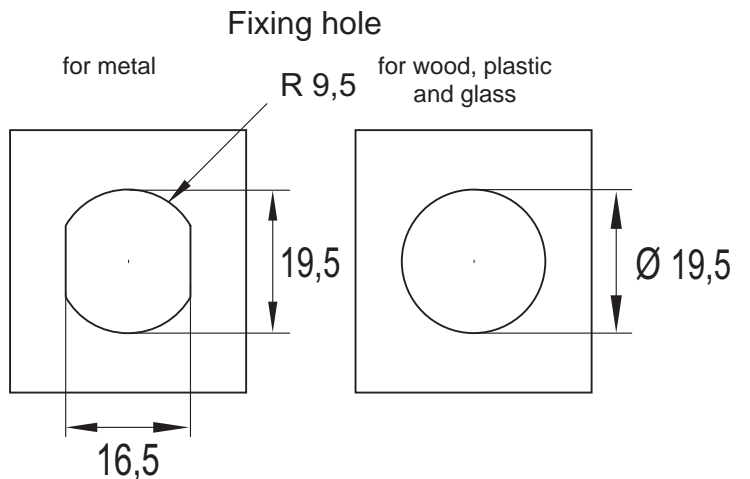
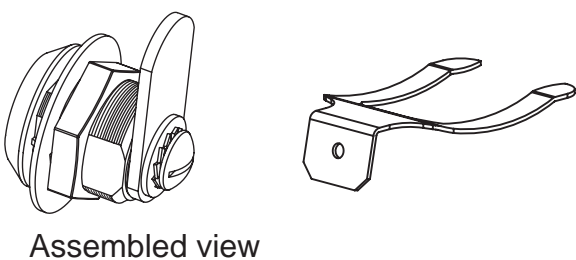
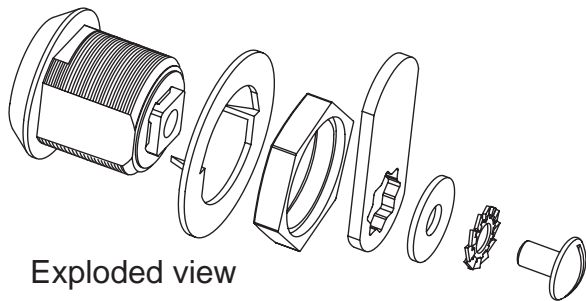
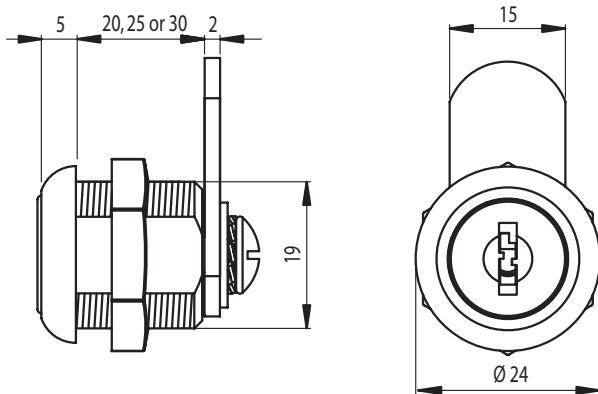
24 pcs per box
 480 pcs per export carton

Item No.: # 14.04.482 etc.

Conical face
Zamak, cpl



Dome face
Stainless steel



CAM LOCK "SQUARE FRONT"

Application:

For drawers & cabinets

Accessories for one set:

- 1 lock w/cylinder \varnothing 19 x 30 mm
- 1 hex nut
- 1 cam plate No. 9
- 1 pronged metal washer
- 2 round SISO metal keys

Specifications:

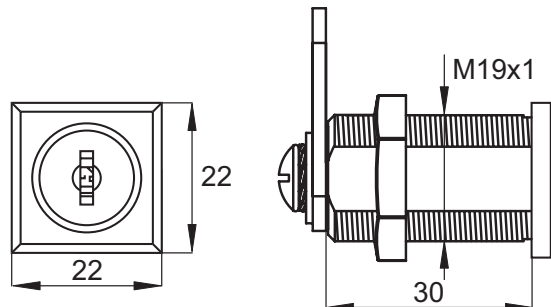
Lock body & cylinder made of zamak.
 Square front
 Cam & keys made of steel
 400 key combinations
 90° turn

Packing:

- 45 pcs per box
- 450 pcs per export carton

Item No.:

Alu finish # 14.04.505



CAM LOCK 1920 W/TRIANGULAR BIT KEY

Application:

For drawers & cabinets

Accessories for one set:

- 1 cylinder \varnothing 19 x 20 mm
- 1 hex nut
- 1 cam plate no. 9
- 1 zamak bit key

Specifications:

Cylinder and key made of zamak - CPL
 Cam made of steel.
 Hex nut made of zamak
 90° turn
 Activated by pushing in the bit key

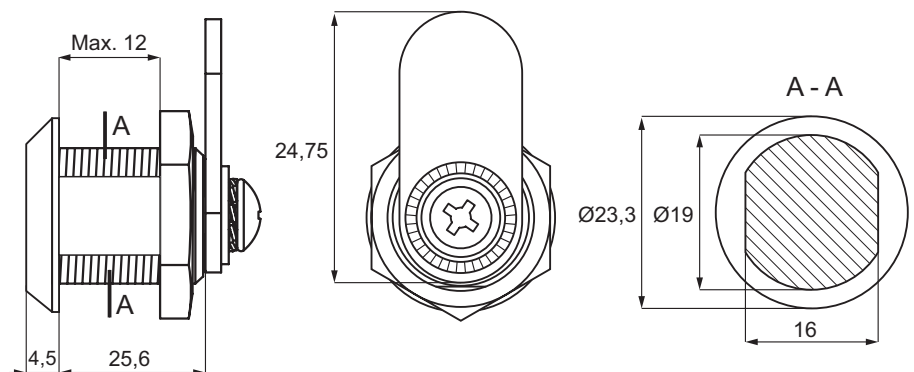
Item No.:

14.04.483

Extra zamak bit key:

Item No.:

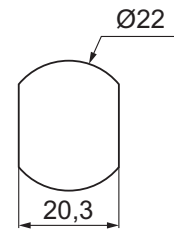
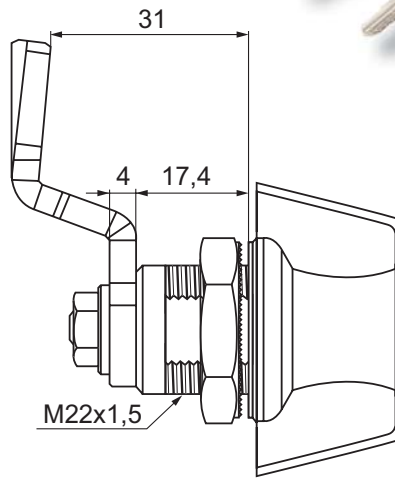
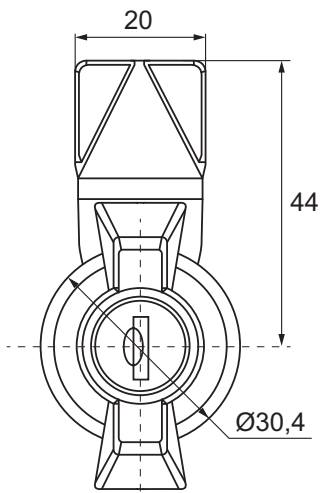
14.04.140



Cam Lock "Biggi"

Ø20x18mm, CPL,
W/Dust Cover,
W/15mm Cranked Cam, cø:45mm,
W/Black Washer & Brass Hex Nut,
W/5 Car Keys W/Biggi Logo

Item No.: #14.08.125



Cashier Desk Lock M-1920

180° rotation 2 stops
at 90° and 180°

Item No.: # 14.04.487



**Universal Cam Lock
double cam No. 145**
supplied 2 different
strikers

Item No.: # 14.04.630



**Cam Lock Tubular Key Extra
Security**

2000 key combinations
Supplied in lengths 17, 19, 23,
25, 28 and 30 mm

Item No.: # 14.04.464 etc.



PUSH LOCK NO. 1003

Application:
Sliding doors

Accessories for one set:
1 lock
1 rosette
2 SISO car keys

Function:
To open: turn key
To close: push cylinder
Special model available security action i.e. lock can not be pushed/closed out inserting and turning the key

Specification:
Zamak lock body & cylinder
Steel rosette & keys
Cylinder dia. 19 mm
Cylinder lengths: 23 mm
400 key combinations or key alike
Master key & Interchangeable system available on request

Option:
Striker A-1002 or 1030
Pin Extension A-1009
5, 10 or 20 mm
upon request

Finish:
Nickel plated
Brass plated
Black anodized

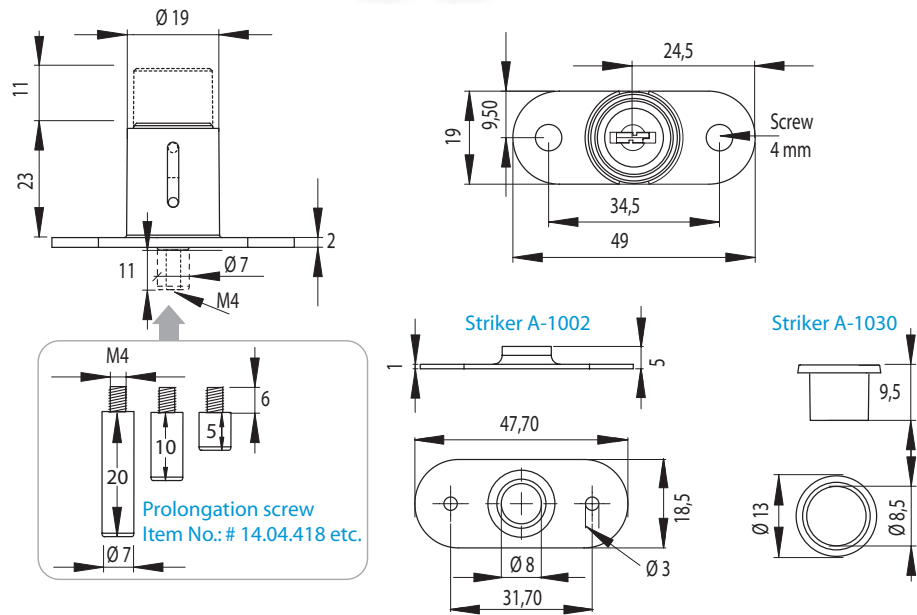
Packing:
24 pcs per box
480 pcs per export carton

Item No.: # 14.03.030 etc.



Special model available security action i.e. lock can not be pushed/closed out inserting and turning the key

Item No.: # 14.03.025



PUSH LOCK NO. T-1003

Application:
Sliding doors

Accessories for one set:
1 lock $\varnothing 22 \times 24$ mm
1 rosette
1 locking sleeve/striker
2 Tubular SISO car keys

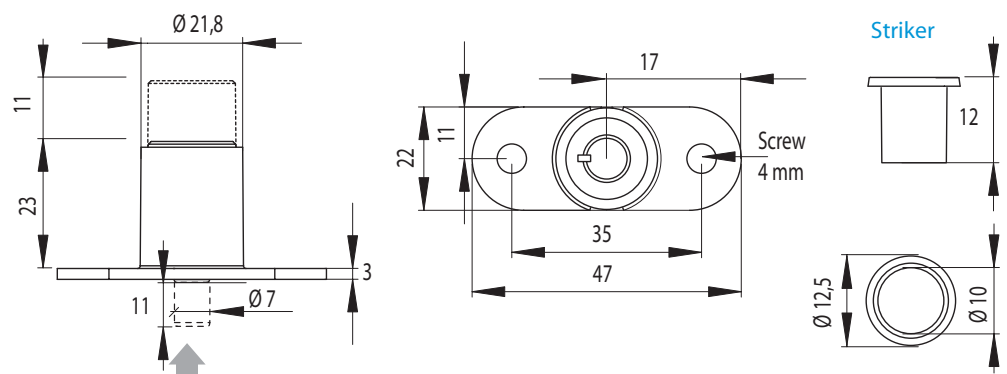
Function:
To open - turn key
Push cylinder to lock

Specification:
Zamak lock body & Cylinder
Steel rosette & locking sleeve
2000 key combinations

Finish:
Nickel plated

Packing:
10 pcs per box
200 pcs per export carton

Item No.: # 14.03.035



Application:
Sliding doors

Accessories for one set:
1 lock
1 rosette
2 SISO car keys

Function:
To open turn key
Push cylinder to lock

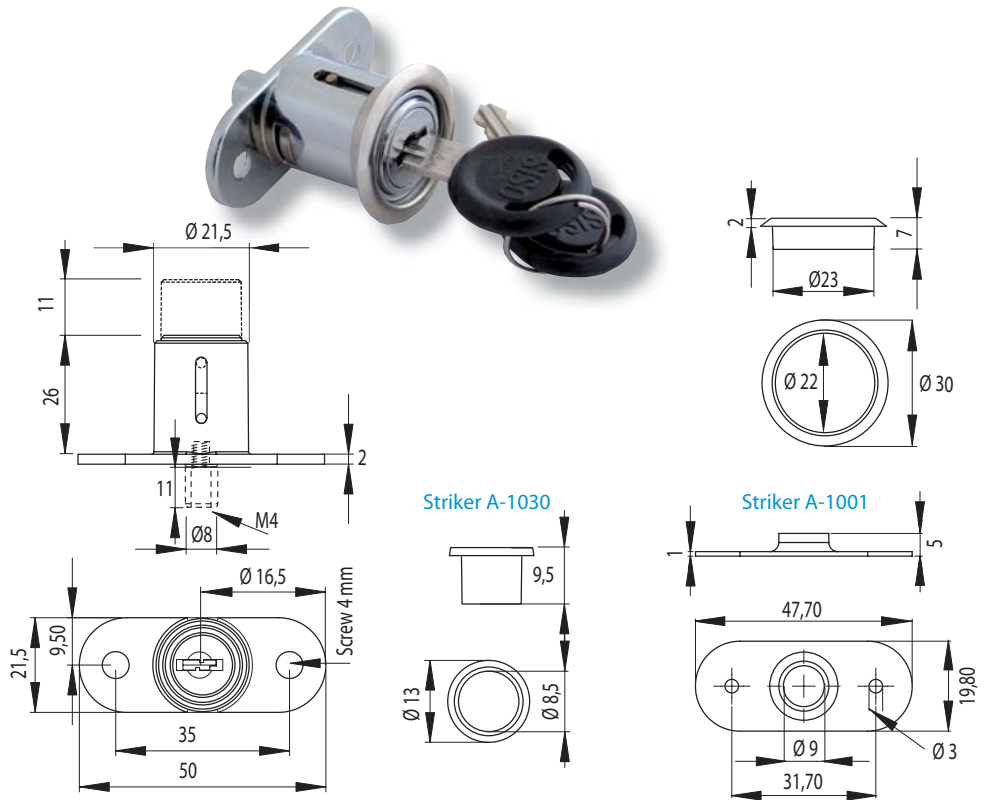
Specification:
Zamak lock body & cylinder
Steel rosette, keys & striker
Cylinder dia. 22 mm
Cylinder lengths: 26 mm
400 key combinations
Master Key system available on request

Option:
Striker A-1030 or A-1001

Finish:
Chrome plated

Packing:
24 pcs per box
480 pcs per export carton

Item No.: # 14.02.980



PUSH LOCK MODEL "BUDAPEST"

Application:
Sliding doors, post boxes and other all round application

Accessories for one set:
1 lock
2 SISO car keys

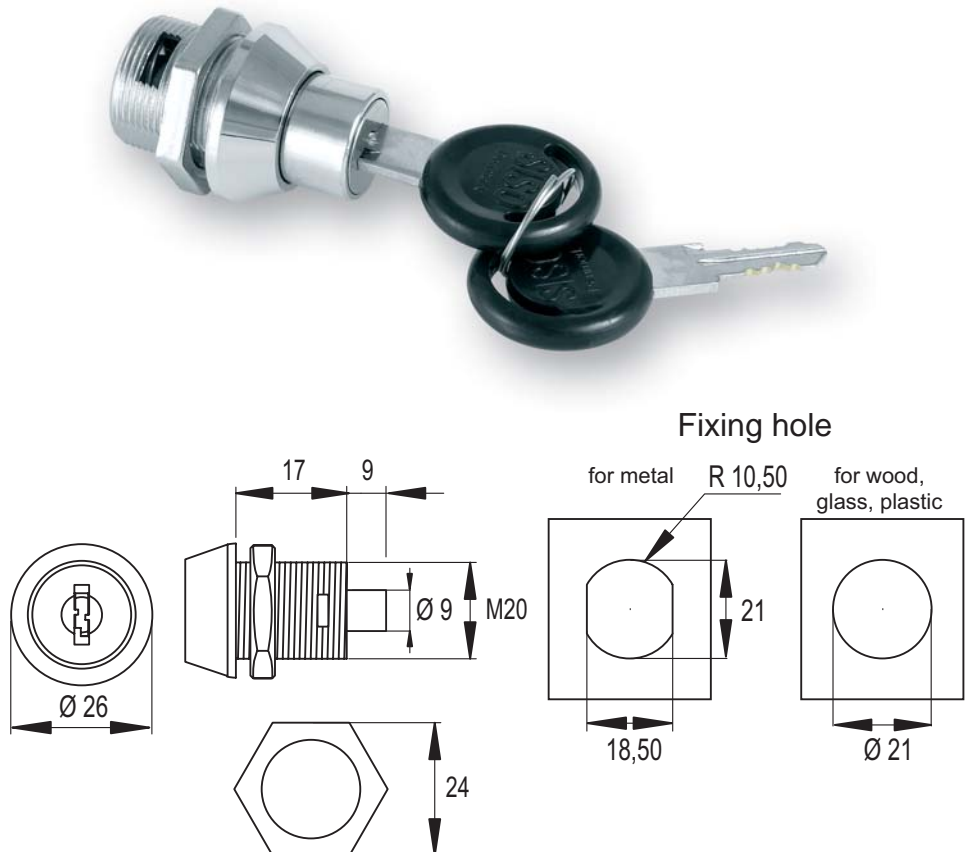
Function:
To open – turn key
Push cylinder to lock

Specification:
Zamak lock body & cylinder
Steel rosette & keys
400 key combinations or key alike

Finish:
Nickel plated

Packing:
40 pcs per box
400 pcs per export carton

Item No.: # 14.03.006



PUSH LOCK - MODEL "CARAVAN"

Material:
Plastic

Application:
Drawers, wardrobes, cabinets in
caravans + vessels + airplanes

Universal for right/left/draw appli-
cation

Accessories for one set:
1 lock
1 rosette
1 push button

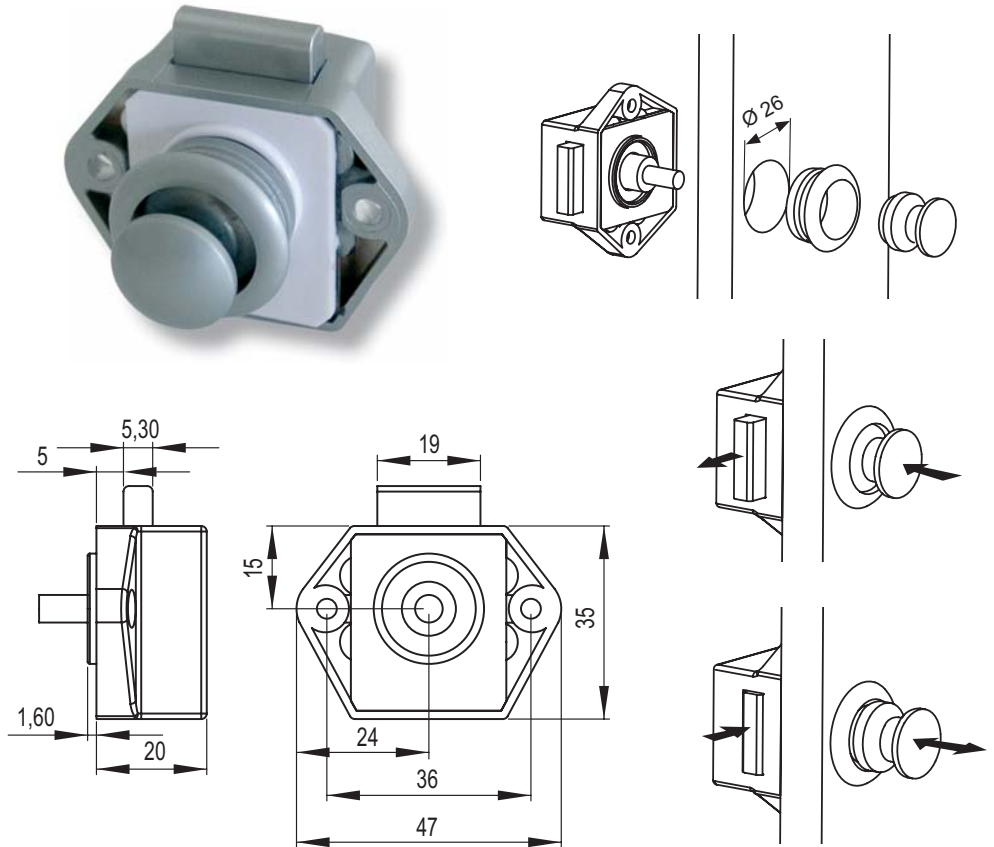
Function:
Close the door, push the knob inside
and secure the latch so door will not
open until knob is pushed out again

FOR DOOR THICKNESS 16 MM

Finish:
Silver sprayed

Packing:
100 pcs per box
500 pcs per export carton

Item No.: # 14.03.050



PUSH LOCK WINDOW NO. 280

Application:
Windows

Accessories for one set:
1 lock body
1 locking sleeve
2 SISO car keys

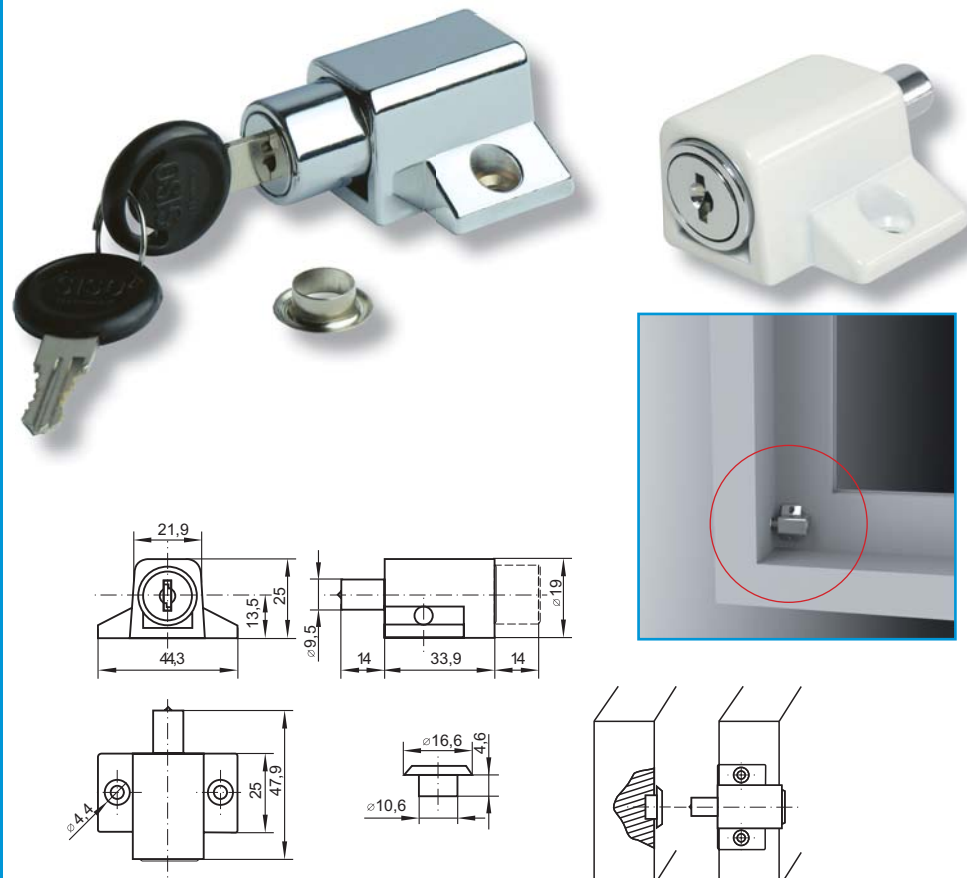
Function:
To close: push cylinder
To open: turn key

Specification:
Zamak lock body & cylinder
Steel sleeve & keys
400 key combinations
Master Key system available
on request

Finish:
Chrome plated
Matt nickel plated
White powder painted

Packing:
12 pcs per box
120 pcs per export carton

Item No.: # 14.03.001 etc.



Application:

For metal lockers & wooden cabinets
To be used with a padlock
Available in right & left hand version

One lock consists of:

- 1 lock cylinder
- 1 cam plate
- 1 hex nut
- 2 transparent PVC washers
- 1 spike metal washer

Specifications:

Turn knob & cylinder made of zamak
Cam, hex nut & washer made of steel
90° turn
F/Shackle size Ø5 - 7 mm - 16mm width
Chrome Pl. (CPL) or black anodized (BLK)

Packing:

20 pcs per box
200 pcs per export carton

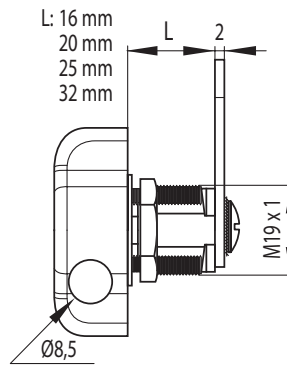
Item No.:

Right Hand version:

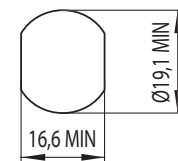
- Ø19 x 16 mm - CPL - Cam 12 # 14.04.585-0
- Ø19 x 20 mm - CPL - Cam 12 # 14.04.586-5
- Ø19 x 25 mm - CPL - Cam 12 # 14.04.587-4
- Ø19 x 25 mm - BLK - Cam 3 # 14.04.587-9
- Ø19 x 32 mm - CPL - Cam A02 # 14.04.589-5

Left Hand version:

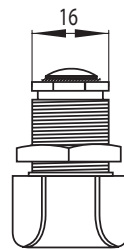
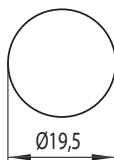
- Ø19 x 20 mm - CPL - Cam A02 # 14.04.586-9
- Ø19 x 25 mm - CPL - Cam A02 # 14.04.587-5
- Ø19 x 32 mm - CPL - Cam A02 # 14.04.589-7



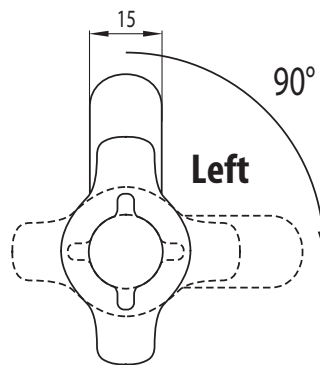
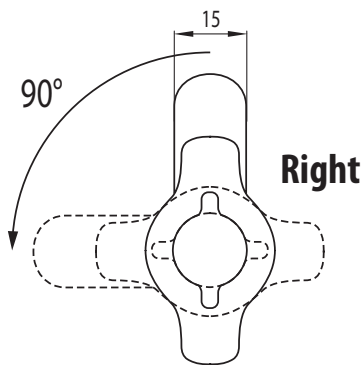
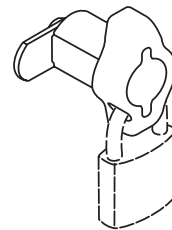
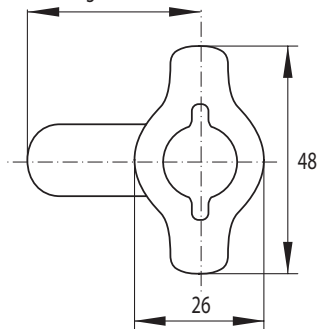
Standard fixing hole - metal



Fixing hole - wood



According to Cam model



ANTI-TWIST PLATE F/PADLOCKABLE CAM LOCKS

Application:

For metal lockers

Material:

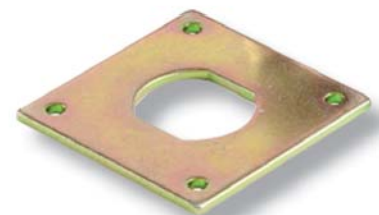
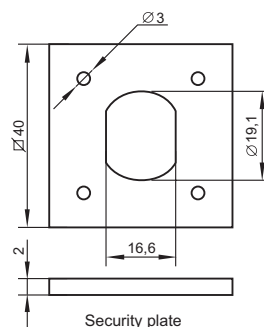
Hardened yellow zinc plated steel

Size:

40 x 40 x 2 mm

Item No.:

14.04.584



PADLOCKABLE CAM LOCK NO. S400 & L400

Application:

For metal lockers & cabinets.
To be used with a Padlock.

Accessories for one set:

- 1 cylinder $\varnothing 19 \times 20$ or 32mm
- 1 cam plate ce.: $34,5 \times 2 \text{ mm}$
- 1 serrated hex nut

Specifications:

Turn knob & cylinder made of zamak.
Cam and hex nut made of steel, NPL
 90° turn. Right hand
shackle hole $\varnothing 7,5 \text{ mm}$ or $\varnothing 10 \text{ mm}$
Chrome plated finish

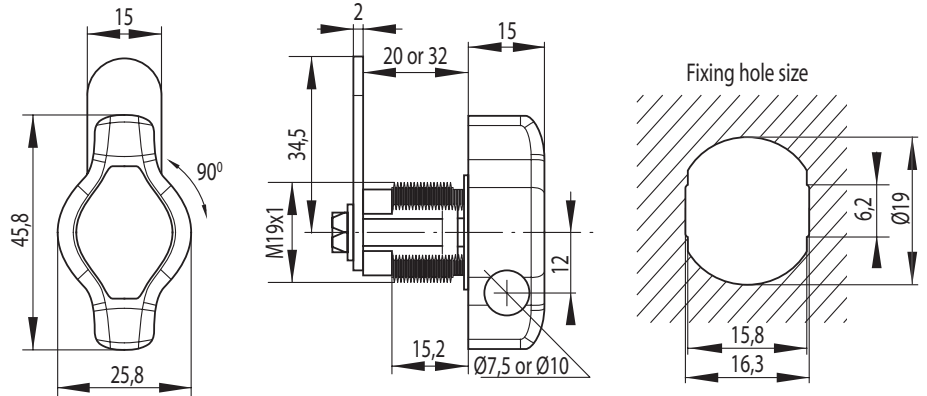
Size: $\varnothing 19 \times 22 \text{ mm}$

F/Shackle size $\varnothing 5 - 6 \times 18 \text{ mm}$ width
S400 Item No.: # 14.04.572

F/Shackle size $\varnothing 5 - 8 \times 15 \text{ mm}$ width
L400 Item No.: # 14.04.573

Size: $\varnothing 19 \times 32 \text{ mm}$

F/Shackle size $\varnothing 5 - 8 \times 15\text{mm}$ width
L400 Item No.: # 14.04.577



PADLOCKABLE CAM LOCK NO. C901

Application:

For metal lockers & cabinets.
To be used with a padlock.

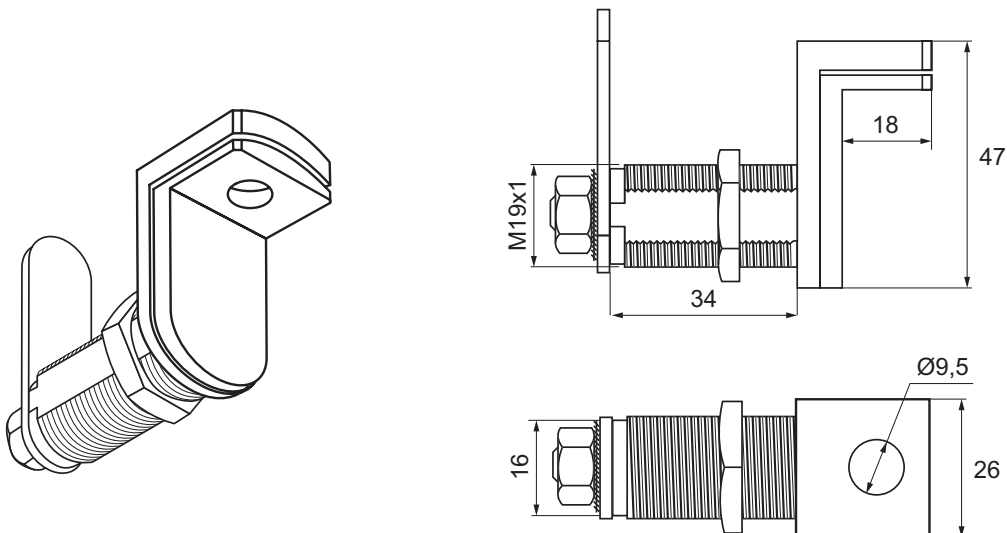
Accessories for one set:

- 1 cylinder $\varnothing 19 \times 34 \text{ mm}$
- 1 hex nut
- 1 cam plate no. 9

Specifications:

Cylinder and handle made of zamak - CPL
Cam made of steel.
Hex nut made of zamak
 360° turn
Shackle hole $\varnothing 9,5 \text{ mm}$

Item No.: # 14.04.590



COMBINATION PADLOCK 4-DIGITS W/MASTER KEY

Application:

For metal lockers & cabinets. To be used Padlockable cam lock.

Accessories for one set:

1 padlock body - 41,5 x 81,6 x 18,5 mm (W/H/D)

1 shackle - $\varnothing 6,3$ x 32mm outer width

Specifications:

Lock body - zamak – black anodized

Shackle made of hardend steel

4 digits from 0 - 9

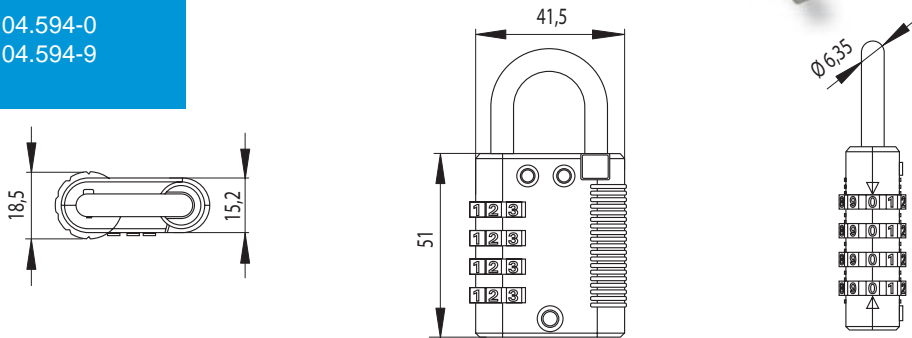
Pre-coded 0000. Code can be re-set.

W/master key system AP001

Item No.:

Lock # 14.04.594-0

Master key # 14.04.594-9



PADLOCK 40MM, FULL PLASTIC COVER

Description:

Brass padlock $\varnothing 6,2$ mm hardened steel shackle.

2 SISO metal keys if key to differ.

If key alike only 1 SISO metal key.

Full matt black plastic cover to avoid damaging cabinets.

Body size: 40 x 36 x 19,3 mm.

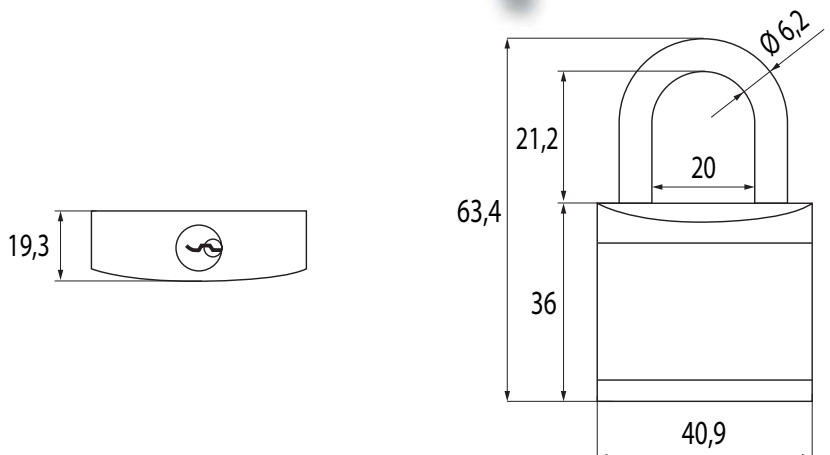
Minimum 800 key combinations or key alike (KA).

Item No:

Padlock 40 mm, 800 key combinations W/2 metal keys # 14.04.597

Padlock 40 mm, key alike KA:1 W/1 metal keys # 14.04.598

Padlock 40 mm, key alike KA:2 W/1 metal keys # 14.04.599



CENTRAL LOCK NO. 851N - SIDE MOUNTED



Application:

Side mounted central lock on left or right side of the pedestal

Accessories for one set:

- 1 lock premounted aluminium locking bar
- 500, 600, 800 or 1200 mm
- Other lengths upon request
- 1 rosette
- 2 bar guides
- 3 adj. pegs 13 mm
- 2 SISO car keys
- 4 mounting screws

Function:

Turn key 180° locking bar moves down 9 mm to lock any numbers of drawers

Specification:

Lock, pegs - zamak
 Locking bar - aluminium
 Rosette, keys, screws - steel
 Bar guides - steel
 400 different key combinations
 Master key & Interchangeable system available on request

Option:

Adjustable pegs
 5, 6, 8, 11 or 19 mm
 available from stock

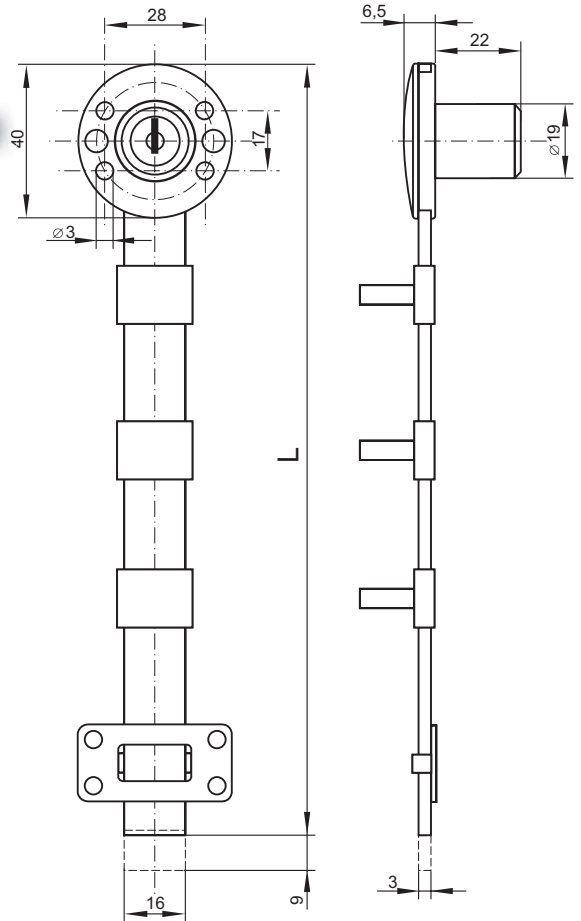
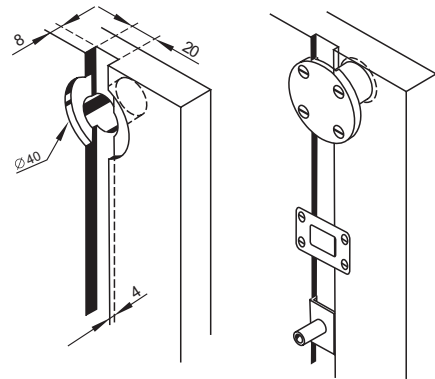
Finish:

Nickel plated
 Other finish upon request

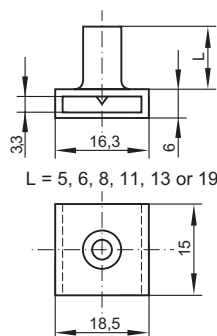
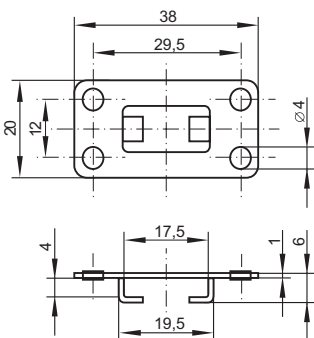
Packing:

12 pcs per box
 120 pcs per carton

Item No.: # 14.01.319 etc.



L = 500, 600, 800 or 1200 mm



Application:

Central lock mounted into side of the pedestal either right or left side suitable only where drawer front goes inside the cabinet

Accessories for one set:

- 1 lock body
- 2 SISO car keys

Locking bars & accessories to be bought separately

Function:

Push cylinder and locking bar move up 9 mm to block or lock the drawers
To open: turn key and locking bar move down to open drawers

Specifications:

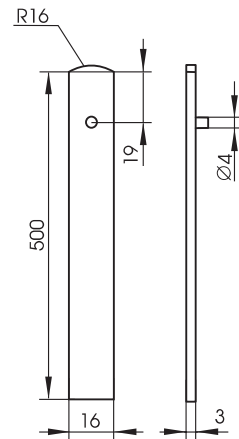
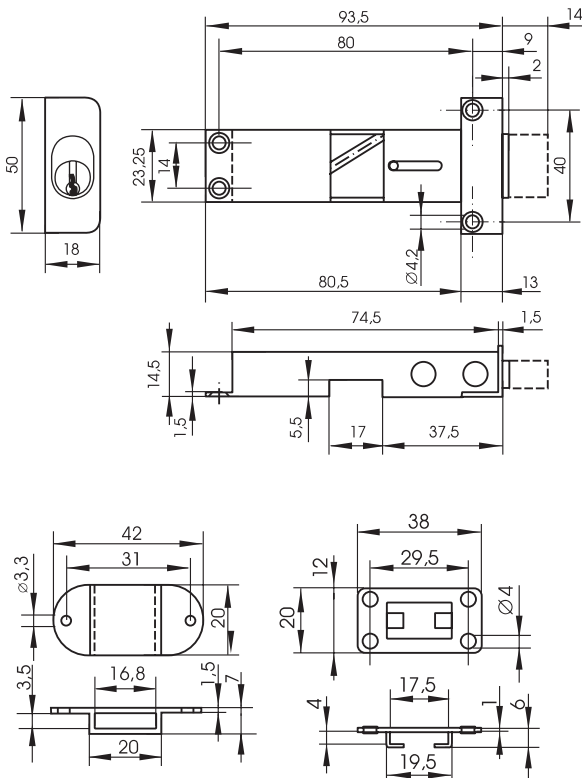
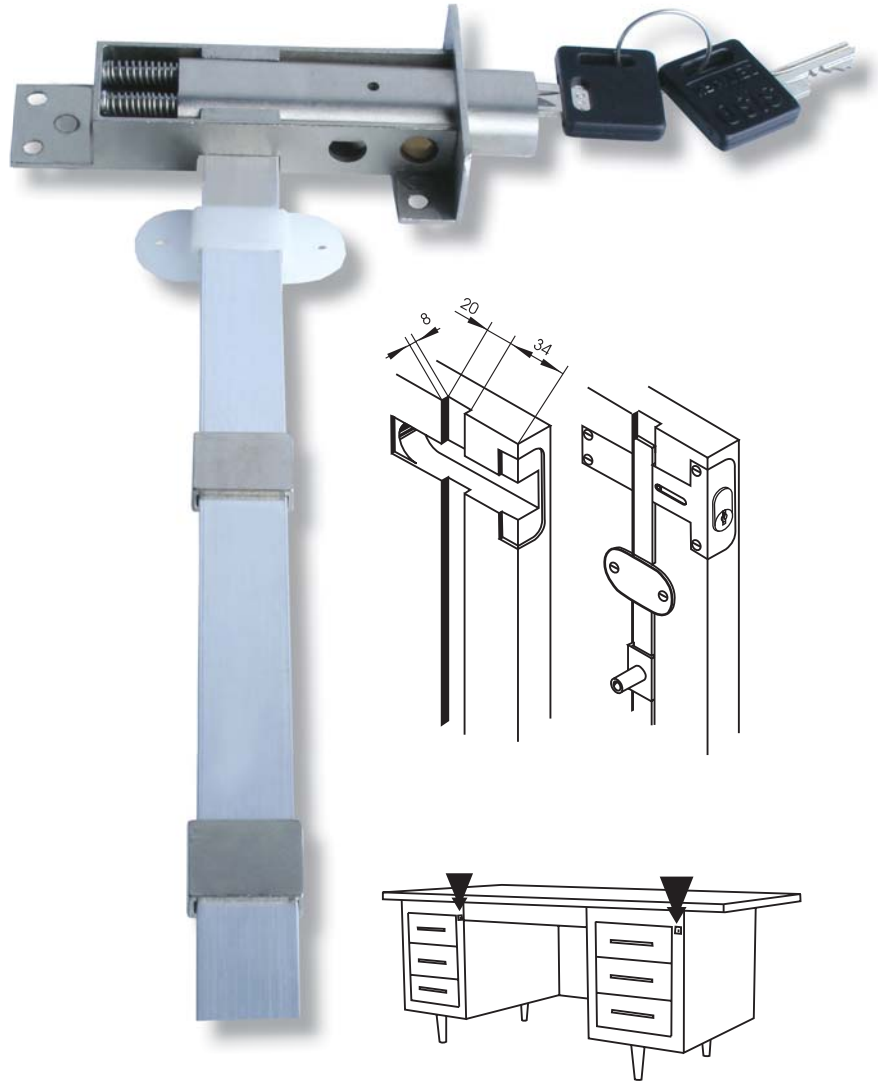
- Lock body - zamak
- Cylinder - brass
- Keys - steel
- 600 key combinations

Finish:

Nickel plated

Item No.:

- Lock keys: # 14.03.036-0
- Alu. locking bar 500 mm # 14.03.036-9
- Adjustable pegs 13 mm # 14.04.330
- Bar Guide - plastic # 14.03.285



L = 5; 6; 8; 11; 13 or 19 mm

CENTRAL LOCK NO. 1018 - FRONT MOUNTED



Accessories for one set:

- 1 lock body
- 1 rosette
- 1 locking bar 500, 600, 700, 800
- 2 bar guides metal
- 3 adj. pegs 13 mm
- 2 SISO car keys

Function:

Turn key 180° the locking bar move up to block/lock any numbers of drawers

Specification:

Lock, pegs - zamak
Locking bar - aluminium
Rosette, key - steel
400 key combinations
Master key & Interchangeable system available on request

Option:

Adj. pegs 5, 6, 8, 11, or 19 mm
Available on stock other
Lengths of locking bars
On stock 1200 and 1300 mm

Finish:

Nickel plated
Black anodized
Aluminium finish
Other finishes upon request

Packing:

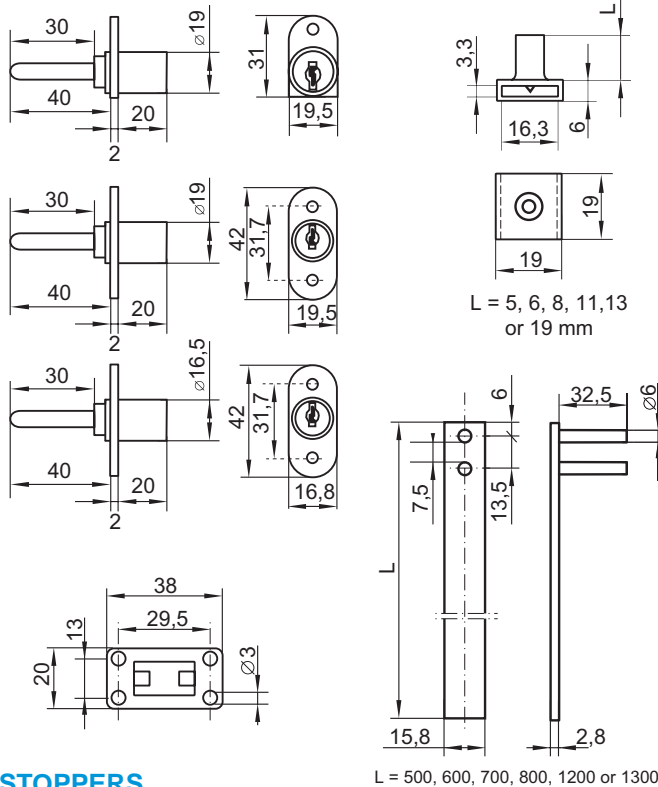
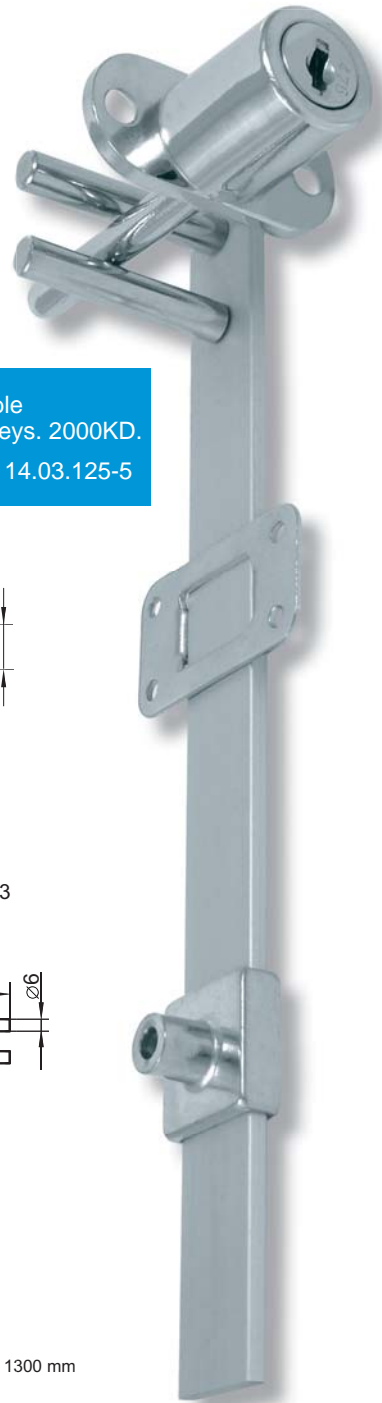
24 pcs per box
120 pcs per export carton

Item No.: # 14.03.104 etc.



Also available w/Tubular keys. 2000KD.

Item No.: # 14.03.125-5

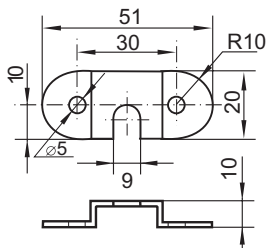


DRAWER STOPPERS

OPTIONAL



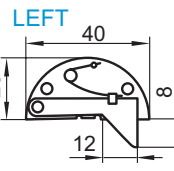
Item No.: # 14.02.011



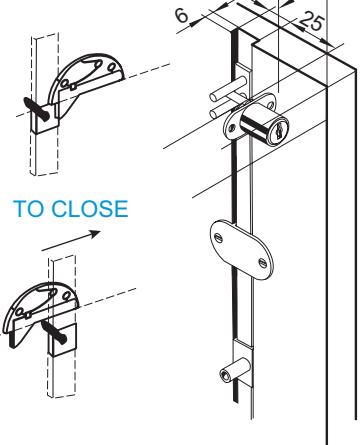
OPTIONAL



Item No.: # 14.02.030



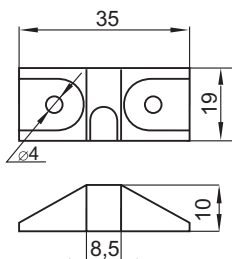
CLOSED



OPTIONAL



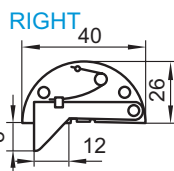
Item No.: # 14.02.010



OPTIONAL



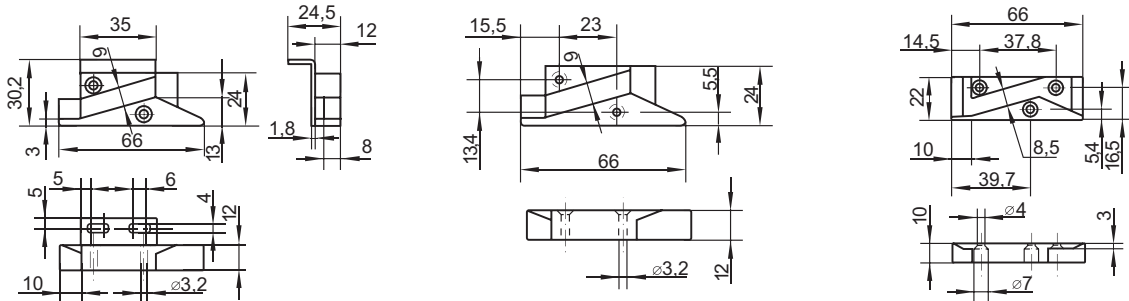
Item No.: # 14.02.020



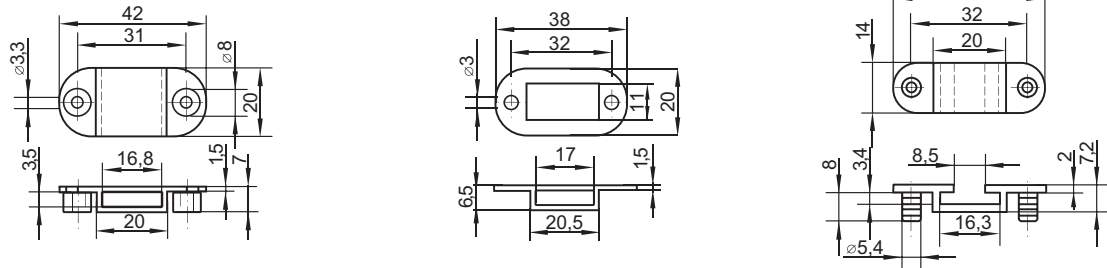
TO CLOSE

Central lock No. 1018 as described and illustrated on separate page for this lock, but here on this page illustrated as a simple antitilt solution mainly applied on PEDESTALS. Illustrated below are special locking bar needed for this system and different accessories. Please advise all sizes: L, A, B, C to customize bars for you.

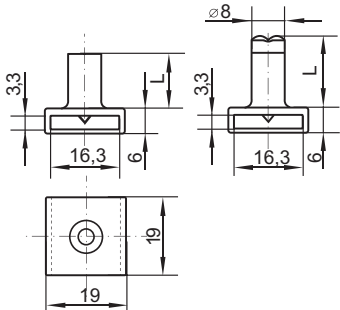
ANTITILT BLOCKS Item No.: 14.03.270 etc.



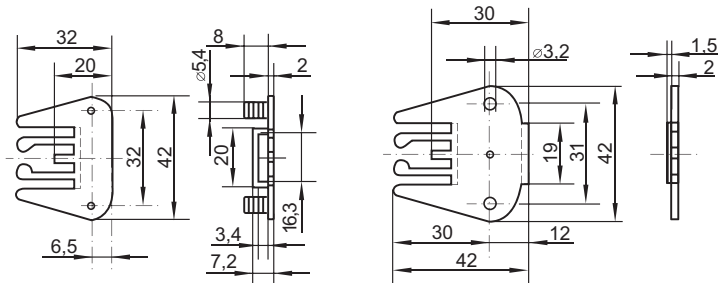
BAR GUIDES Item No.: 14.03.285 etc.



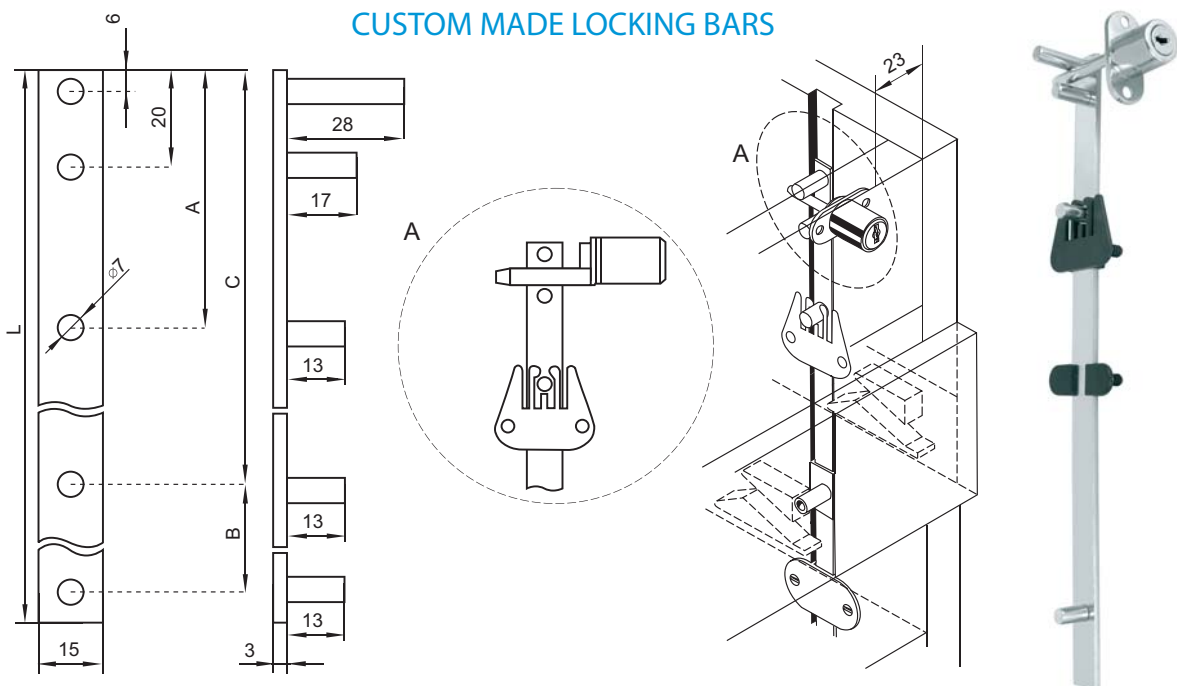
ADJUSTABLE PEGS Item No.: 14.04.309 etc.



CATCH GUIDES Item No.: 14.03.280 etc.



CUSTOM MADE LOCKING BARS



Application:

Central lock mounted into side of the pedestal either right or left side suitable only where drawer front goes inside the cabinet

Accessories:

- 1 lock body
- 1 mounting clip
- 1 locking bar 500 or 700 mm others lengths upon request
- 3 adj. pegs 13 mm standard
- 2 bar guides
- 2 SISO car keys

Function:

Turn key 180° and locking bar moves up to lock/block any amount of drawers

Specification:

- Lock, pegs - zamak
- Clip, key, bar guides - steel
- Locking bar - aluminium
- 400 key combinations
- Master Key system available on request

Options:

Adjustable pegs 5, 6, 8, 11 or 19 mm available on stock

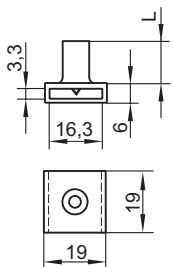
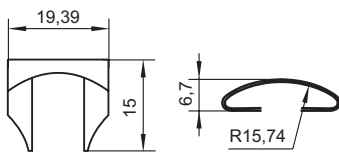
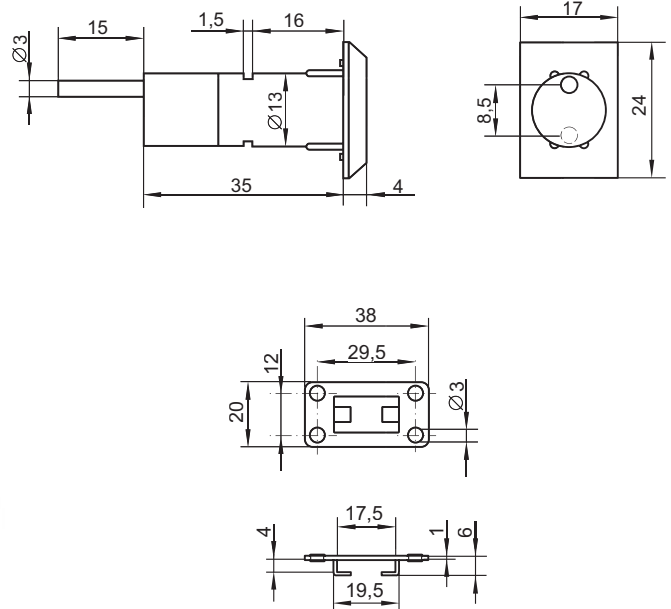
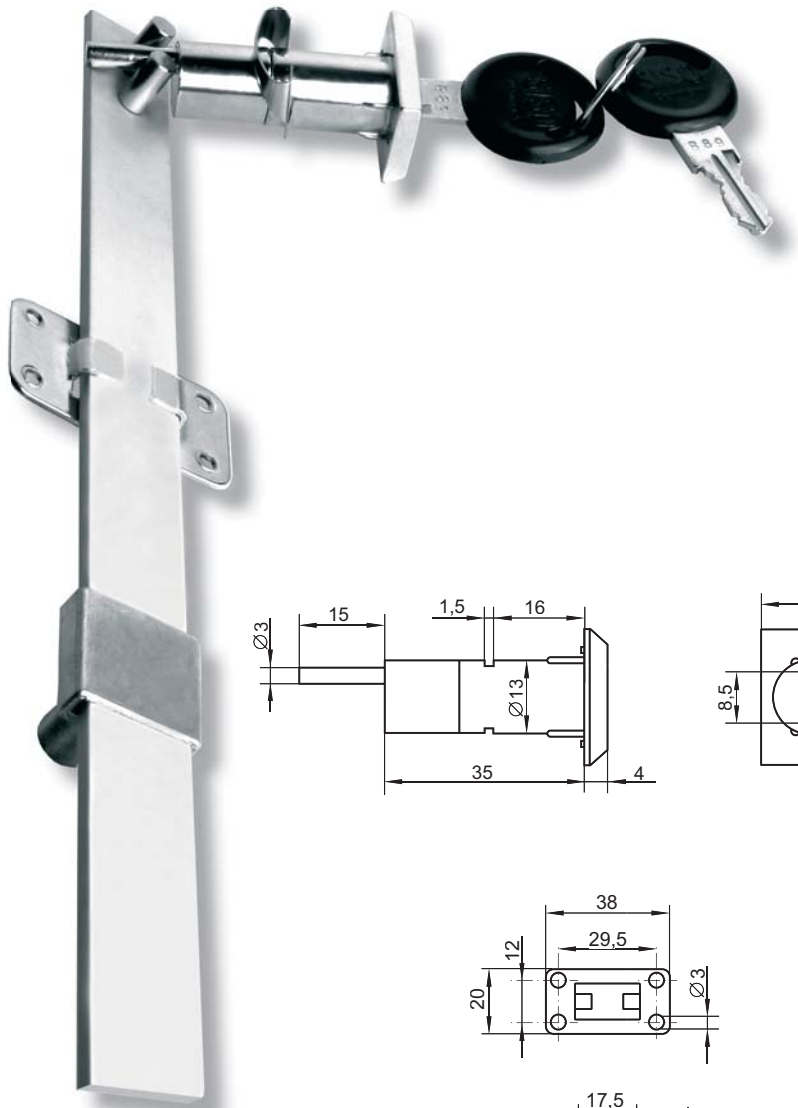
Finish:

Nickel plated

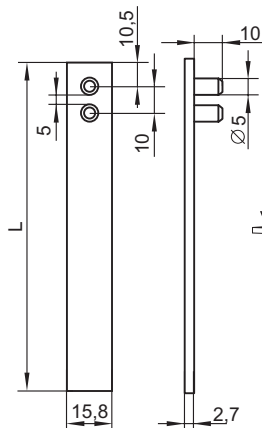
Packing:

24 pcs per box

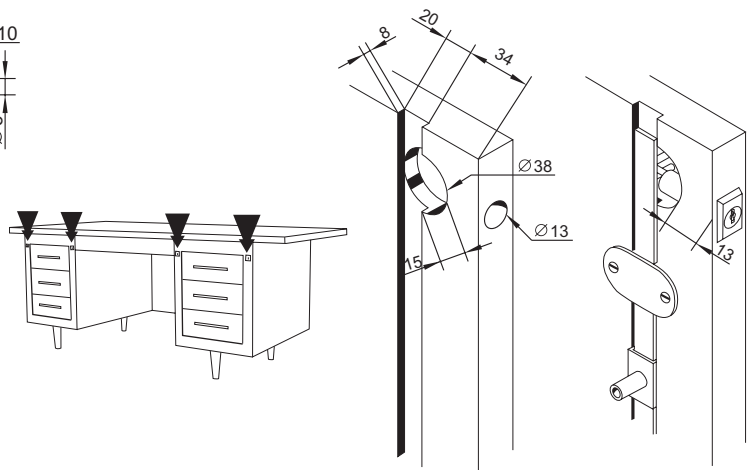
Item No.: # 14.04.025 etc.



L = 5, 6, 8, 11, 13 or 19 mm



L = 500 or 700 mm



Application:
Flap doors

Accessories:
1 lock
1 rosette
1 striking plate
2 metal keys

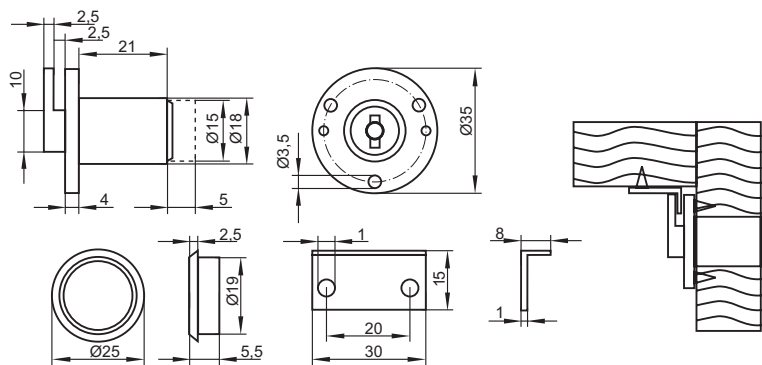
Function:
To close: push cylinder and turn key
To open: turn key
Key removable in locked position only

Specification:
Plastic lock body
Steel cylinder, striker, cam, rosette & keys
Key alike only

Finish:
Brown Body - Brass plated cylinder

Packing:
12 pcs per box
300 pcs per export carton

Item No.: # 14.07.120



FLAP LOCK NO. 9411, ALL METAL

Application:
Flap doors

Accessories:
1 lock
1 rosette
1 striking plate
2 SISO car keys

Function:
To close: push cylinder and turn key
To open: turn key

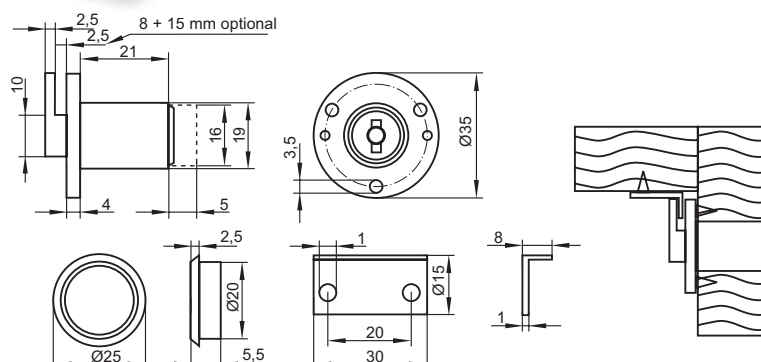
Key removable in locked and unlocked position

Specification:
Zamak lock body & cylinder
Steel rosette,striker & keys
400 key combinations
Master Key system available on request

Finish:
Nickel plated
Brass plated
Bronze plated

Packing:
12 pcs per box
300 pcs per export carton

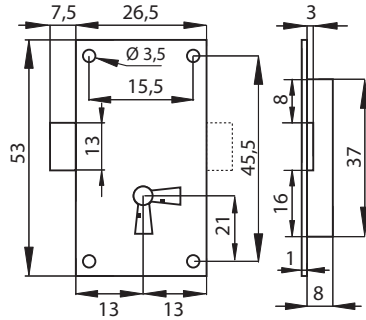
Item No.: # 14.07.104



BOX LOCKS

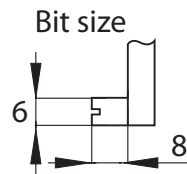
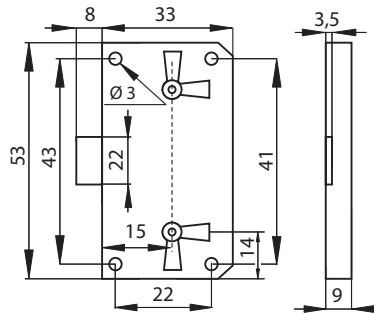
Item No.: # 14.06.145

CUPBOARD LOCK "AFRIC"
 Yellow zinc plated, double handed
 2 lever = 10 differs
 Each lock supplied
 2 neutral zamak keys
 For vertical + horizontal use
Packing:
 25 pcs per box
 250 pcs per carton



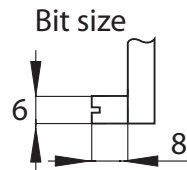
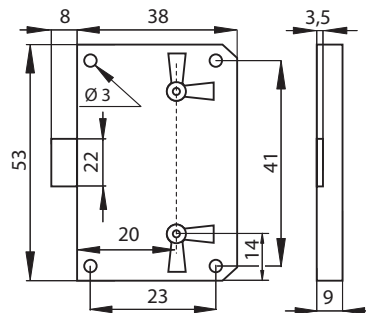
Item No.: # 14.06.212

BOX LOCK No. 2110 - 15 mm backset
 Universal for right/left or draw application
Finish:
 Nickel, brass or bronze plated
Locking system:
 For eurobit key - 1 lever key no differs
Packing:
 40 pcs per box
 400 pcs per carton



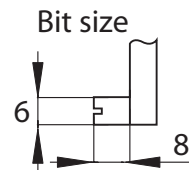
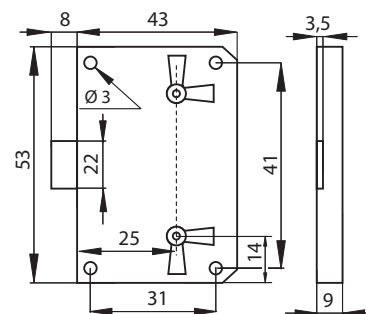
Item No.: # 14.06.215

BOX LOCK No. 2110 - 20 mm backset
 Universal for right/left or draw application
Finish:
 Nickel, brass or bronze plated
Locking system:
 For eurobit key - 1 lever key no differs
Packing:
 40 pcs per box
 400 pcs per carton



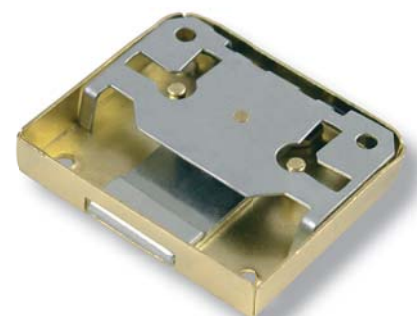
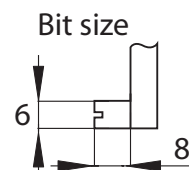
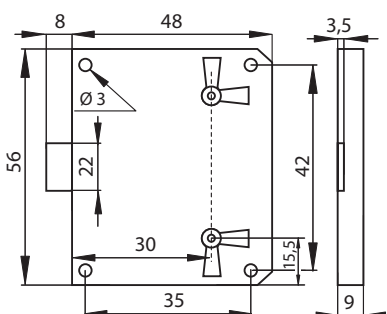
Item No.: # 14.06.235

BOX LOCK No. 2110 - 25 mm backset
 Universal for right/left or draw application
Finish:
 Nickel, brass or bronze plated
Locking system:
 For eurobit key - 1 lever key no differs
Packing:
 40 pcs per box
 400 pcs per carton



Item No.: # 14.06.245

BOX LOCK No. 2110 - 30 mm backset
 Universal for right/left or draw application
Finish:
 Nickel, brass or bronze plated
Locking system:
 For eurobit key - 1 lever key no differs
Packing:
 30 pcs per box
 300 pcs per carton



MORTISE LOCKS

Application:

Universal left, right and draw

Specification:

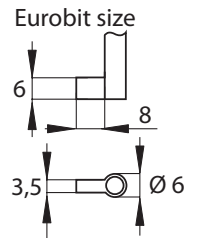
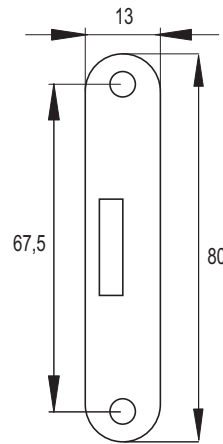
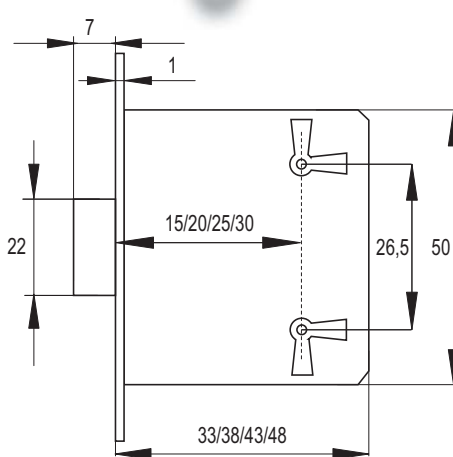
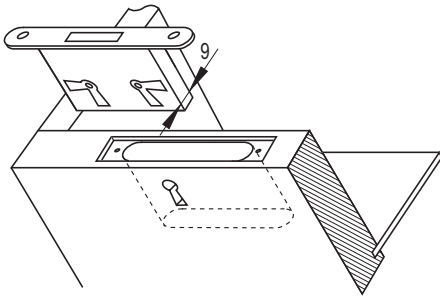
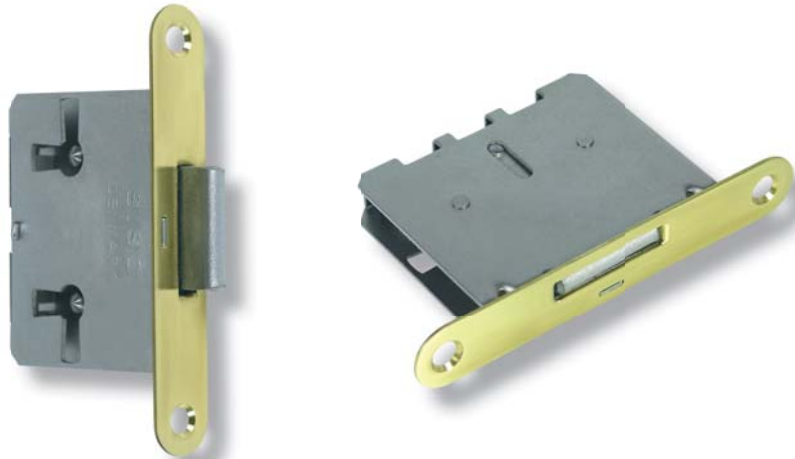
For eurobit key - 1 lever key
 Lock made of plain steel
 Rounded front plate made of brass
 Key alike
 From 15 to 30 mm backset

Packing:

50 pcs per box
 400 pcs per carton

Item No.:

15 mm backset # 14.06.028
 20 mm backset # 14.06.029
 25 mm backset # 14.06.030
 30 mm backset # 14.06.035



MORTISE CHEST LOCKS

**MORTISE CHEST LOCK
 - 20 mm backset**

Function:

Right hand and draw position
 Front plate + striking plate brass
 rounded
 Lock body steel plain

Locking system:

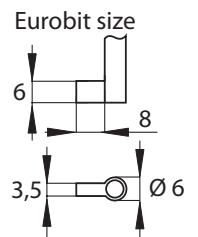
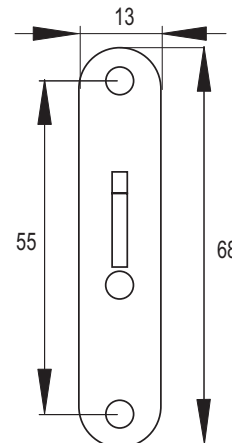
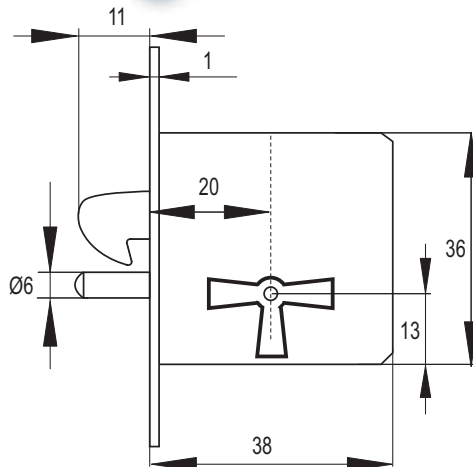
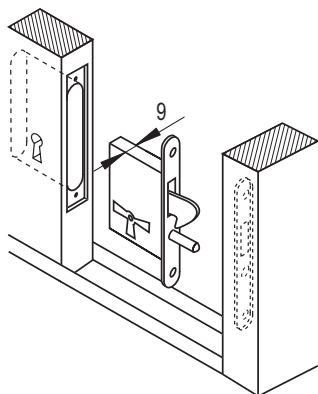
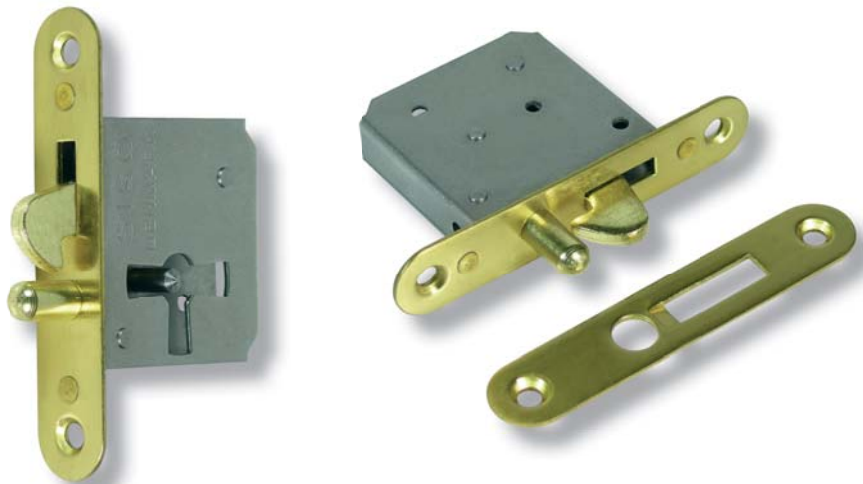
For eurobit key - 1 lever key
 Key alike

Packing:

50 pcs per box
 500 pcs per carton

Item No.:

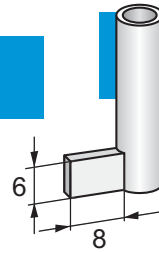
14.06.064



MODEL 7771 - effective shaft lengths 40 mm
Zamak, nickel plated, brass plated and bronze plated



Item No.:
14.10.055 etc.



ALL KEYS SUPPLIED EUROBIT...
for 1 lever locks only

MODEL 9512 - effective shaft lengths 35 mm
Zamak, nickel plated, brass plated, bronze plated and chrome plated



Item No.:
14.10.200 etc.

MODEL 7772 - effective shaft lengths 35 mm
Zamak, nickel plated, brass plated and bronze plated



Item No.:
14.10.050 etc.

MODEL "MMI" - beech or maple wooden head, effective shaft lengths 35 mm
Zamak, matt nickel plated



Item No.:
14.10.060 etc.

MODEL 0007 - effective shaft lengths 35 mm
Zamak, nickel plated, brass plated and bronze plated



Item No.:
14.10.240 etc.

MODEL 7170 - effective shaft lengths 35 mm
Zamak, nickel plated, brass plated and bronze plated



Item No.:
14.10.210 etc.

MODEL K-1026 - effective shaft lengths 42 mm
Zamak, nickel plated and brass plated



Item No.:
14.10.080 etc.

MODEL "LYRE" - effective shaft lengths 45 mm
Zamak brass plated and bronze plated



Item No.:
14.10.170 etc.

MODEL "REGENCY"
Zamak, nickel plated, brass plated and bronze plated



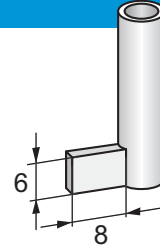
Item No.:
14.10.218 etc.

MODEL "DIMINUTIVE" - effective shaft lengths 35 mm
Zamak bronze plated. Other finish upon request



Item No.:
14.10.046

ALL KEYS SUPPLIED EUROBIT...
for 1 lever locks only



MODEL 1028 - effective shaft lengths 18 mm
Zamak, nickel plated, brass plated and bronze plated



Item No.:
14.10.070 etc.

MODEL "ROCOCO" - effective shaft lengths 40 mm
Zamak, nickel plated, brass plated and bronze plated

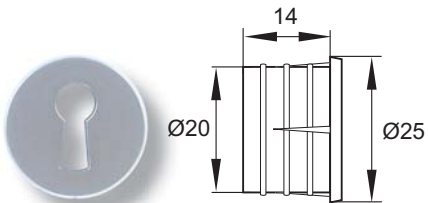


Item No.:
14.10.206 etc.

PLASTIC ROUND Nickel Plated Matt

Front \varnothing 25 mm - knock in 20 mm \varnothing x 14 mm

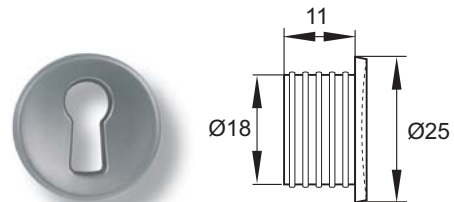
Item No.: # 14.11.040



ZAMAK ROUND Nickel Plated Matt

Front \varnothing 25 mm - knock in 18 mm \varnothing x 14 mm

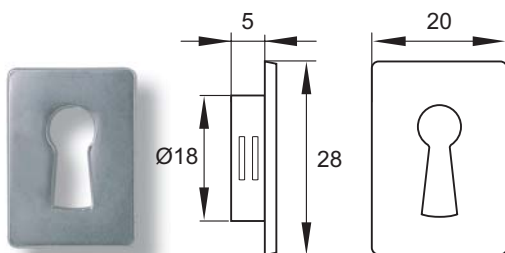
Item No.: # 14.11.041



PLASTIC RECTANGULAR Nickel Plated Matt

Front 20 x 28 mm - knock in 20 mm \varnothing x 5 mm

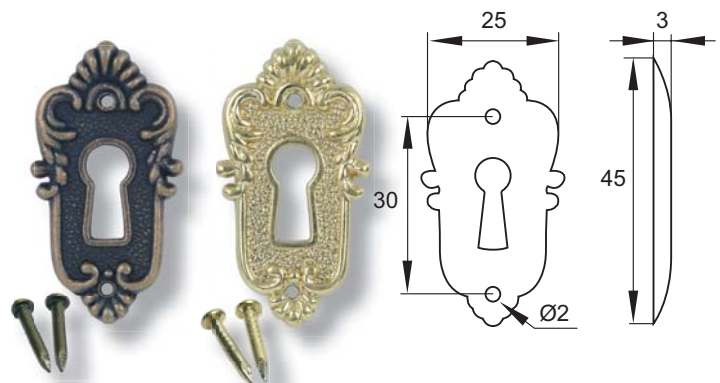
Item No.: # 14.11.061



ZAMAK ANTIQUE Nail On Type Bronze or Brass Plated

Front 25 x 45 mm

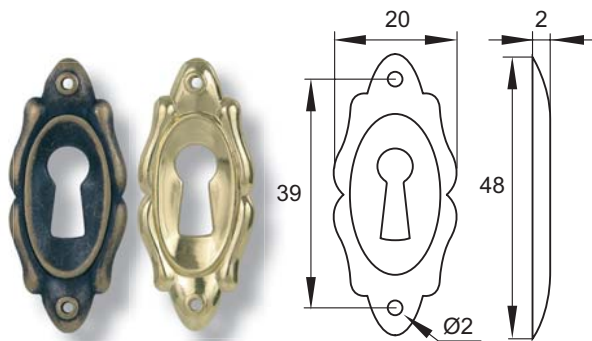
Item No.: # 14.11.170 etc.



ZAMAK OVAL Nail On Type Bronze or Brass Plated

Front 20 x 48 mm

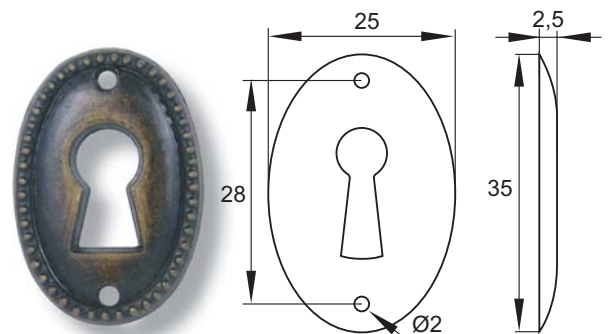
Item No.: # 14.11.150 etc.



MODEL No. 7891

Front 25 x 35 mm

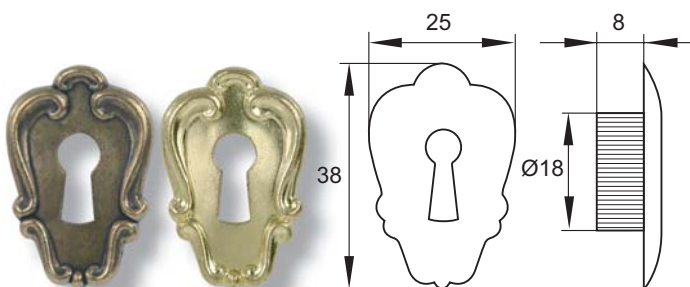
Item No.: # 14.11.205



ZAMAK ANTIQUE Bronze or Brass Plated

Front 25 x 38 mm - knock in 18 mm \varnothing x 8 mm

Item No.: # 14.11.180 etc.



Application:

Wardrobes, lockers, cabinets and others

Accessories one set:

- 1 lock right or left handed 16,5 or 19 mm cyl. diam
- 1 rosette
- 2 SISO car keys
- 2 hooks and holders top and bottom
- 2 bar guides
- 2 stoppers either eccentric or triangular

Locking bars to be ordered separately
Available in lengths of 1000, 1200, 1500 and 2000 mm in nickel plated, brass plated and bronze plated

Function:

Turn key and locking bars will rotate. Hooks will move behind the stops. Cam extend from the lock case and door will be locked at 3 points

Specification:

- 400 different key combinations or key alike
- 15 mm backset
- 25 mm backset on request
- Master key & Interchangeable system available on request

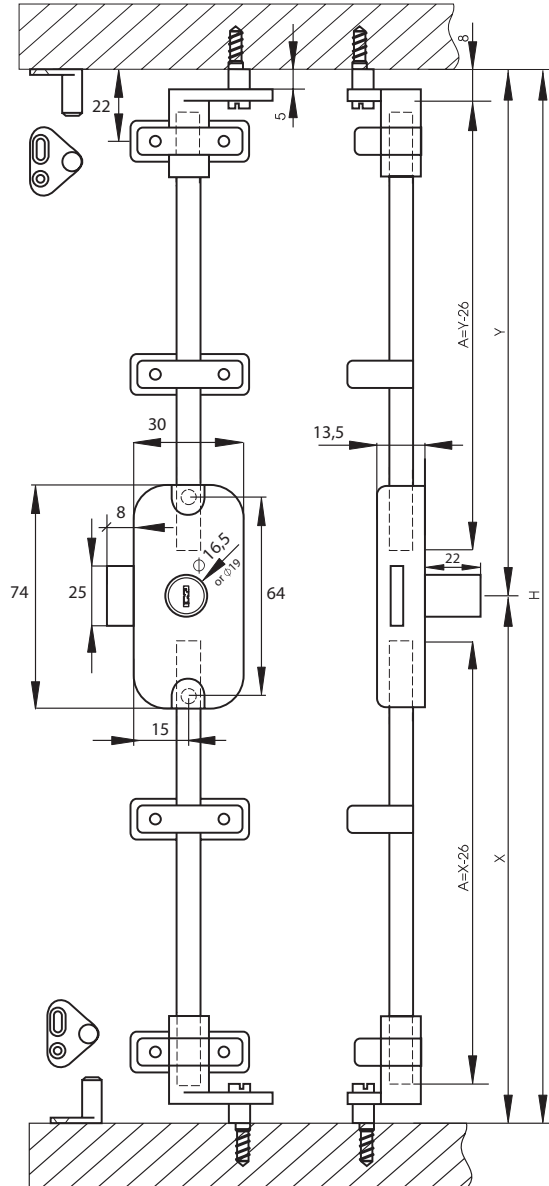
Finish:

Zamak body in nickel plated, aluminium finish or black zinc
Plastic body in burgundy or black

Packing:

- 12 pcs per box
- 120 pcs per carton

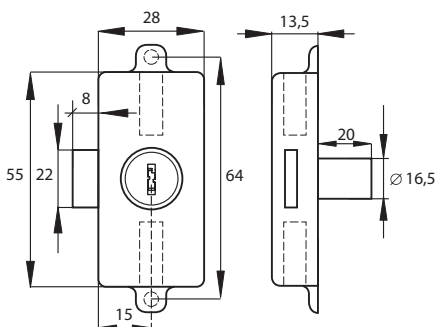
Item No.: # 14.05.268 etc.



INNER HEIGHT OF THE CABINET



LOCK NO. H-922
Item No.: # 14.05.284 etc.



ESPAGNOLETTE LOCK NO. 922 W/KNOCK IN SOCKETS



Application:

Wardrobes, lockers, cabinets and others

Accessories one set:

- 1 lock right or left handed 16,5 or 19 mm cyl. diam
- 1 rosette
- 2 SISO car keys
- 2 hooks and holders top and bottom
- 2 bar guides
- 2 stoppers either eccentric or triangular

Locking bars to be ordered separately. Available in lengths of 1000, 1200, 1500 and 2000 mm in nickel plated, brass plated and bronze plated

Function:

Turn key and locking bars will rotate. Hooks will move behind the stops. Cam extend from the lock case and door will be locked at 3 points

Specification:

- 400 different key combinations or key alike
- 15 mm backset
- 25 mm backset on request
- Master key & Interchangeable system available on request

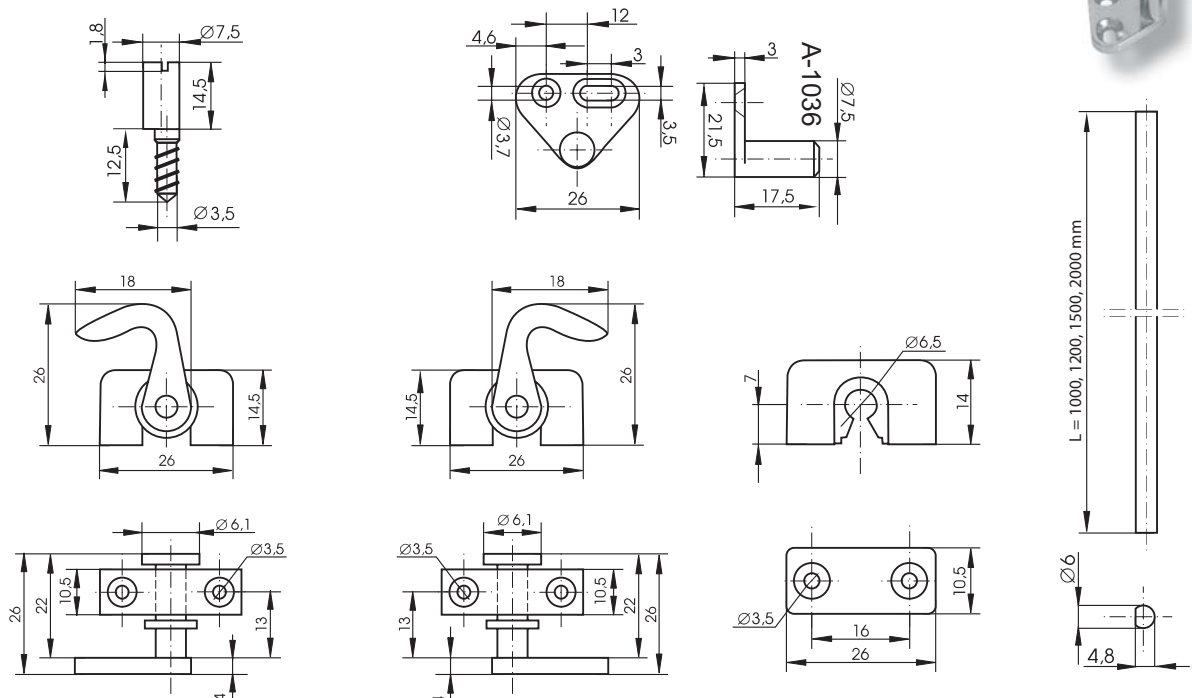
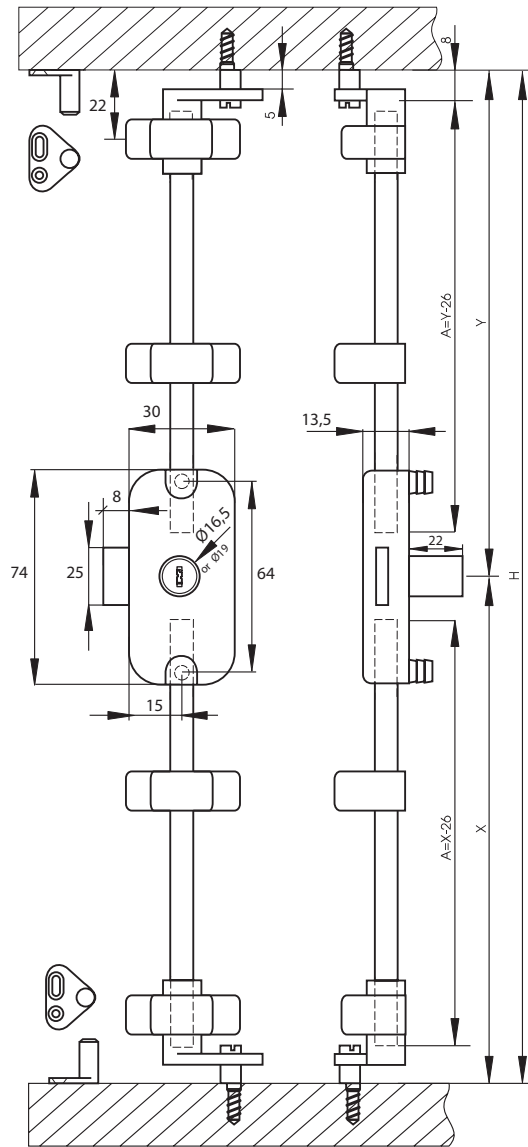
Finish:

Zamak body in nickel plated, aluminium finish or black zinc
Plastic body in burgundy or black

Packing:

- 12 pcs per box
- 120 pcs per carton

Item No.: # 14.05.281 etc.



Application:

Wardrobes, lockers and cabinets

Accessories one set:

- 1 lock body right hand
- 1 knob + pin
- 2 hooks and holders top/bottom
- 2 bar guides
- 2 eccentric stops

Locking bars to be ordered separately. Available in lengths of 1000, 1200, 1500 and 2000 mm in nickel plated, brass plated and bronze plated

Function:

Turn the knob to lock/unlock in 3 points

Specification:

Lock designed for 19/20 mm panel thickness.
For other thicknesses please ask for 400 different key combinations or key alike
15 mm backset
25 mm backset on request
Master key & Interchangeable system available on request

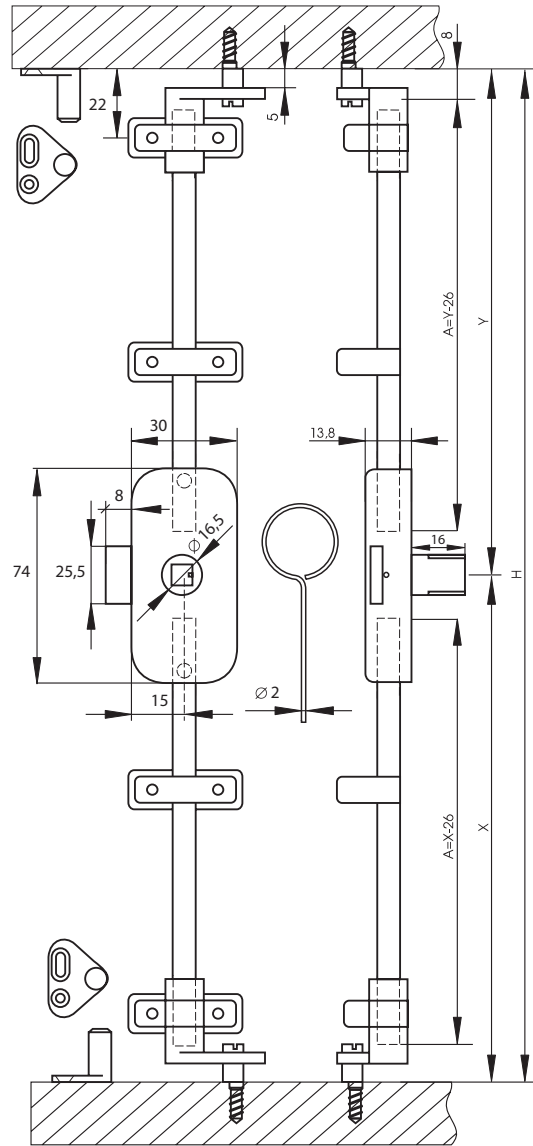
Finish:

Zamak body & knob in nickel plated, aluminium finish, brass plated, SS-look or nickel matt
Plastic body & knob in black colour

Packing:

- 10 pcs per box
- 100 pcs per carton

Item No.: # 14.05.233 etc.



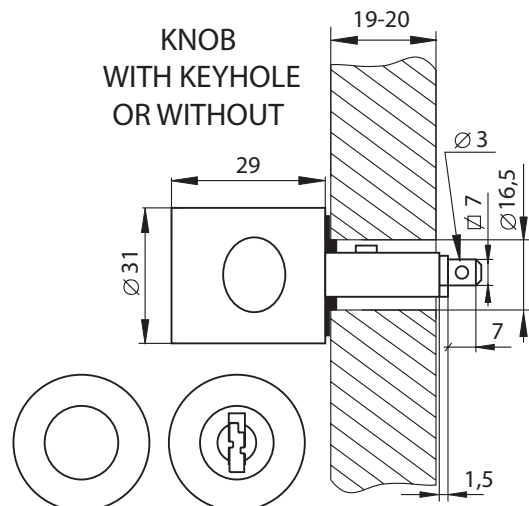
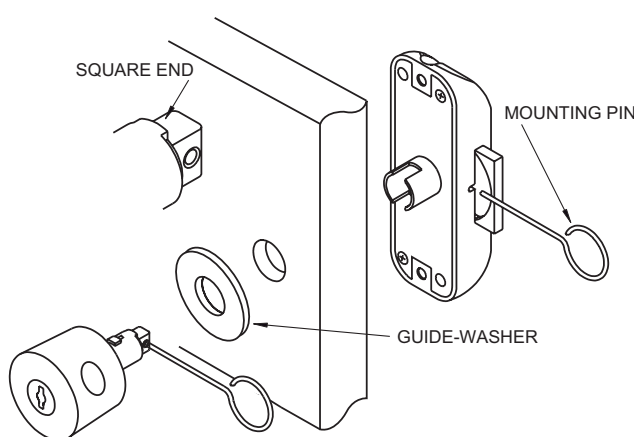
Lock NO. 924

Lock NO. 925

Item No.: # 14.05.240

KNOB MOUNTING INSTRUCTION FOR LOCK No. 924 "MIC" AND No. 925

Set the lock in locked position by turning inside the square a screw driver etc. Insert the door knob into the lockbody taking care that the square end stays upwards. Insert the pin and press the spring loaded pin inside the square. While doing so press the knob forward into the square. As the door knob move forward, remove the pin and continue pushing till the door knob clicks into the square (when the spring loaded pin in the square anchor into the knob axis).



ROTARY BAR LOCK NO. 926 W/SQUARE PIN

Application:

Wardrobes, lockers, cabinets, drawers

Accessories one set:

- 1 lock right hand 15 mm backset
- 1 square pin 7 x 7 x 50 mm harpoon nose attaching screw
- 2 hooks top/bottom
- 2 bar guides
- 2 eccentric stops

Locking bars to be ordered separately. Available in lengths of 1000, 1200, 1500 and 2000 mm in nickel plated, brass plated and bronze plated.

Optional:

- Left hand side
- 25 mm backset
- Other finishes
- Other lengths of square pin
- Knobs premounted square pin (advice lengths L)

Function:

Turn the knob and locking bars will rotate and fasten the hooks behind the stops to lock and unlock. The cam extends from the lockcase and the door will lock in 3 points

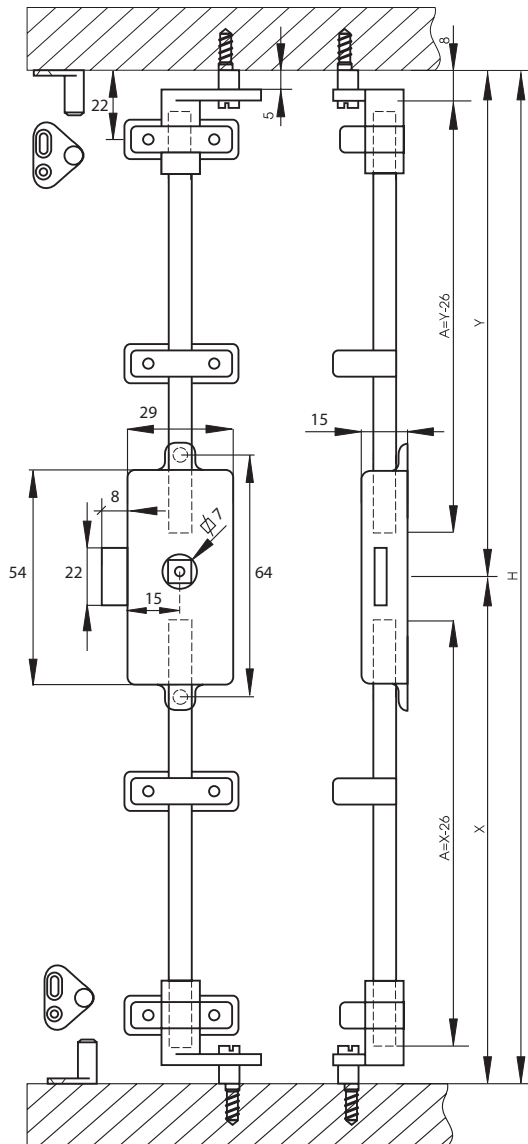
Finish:

Nickel plated

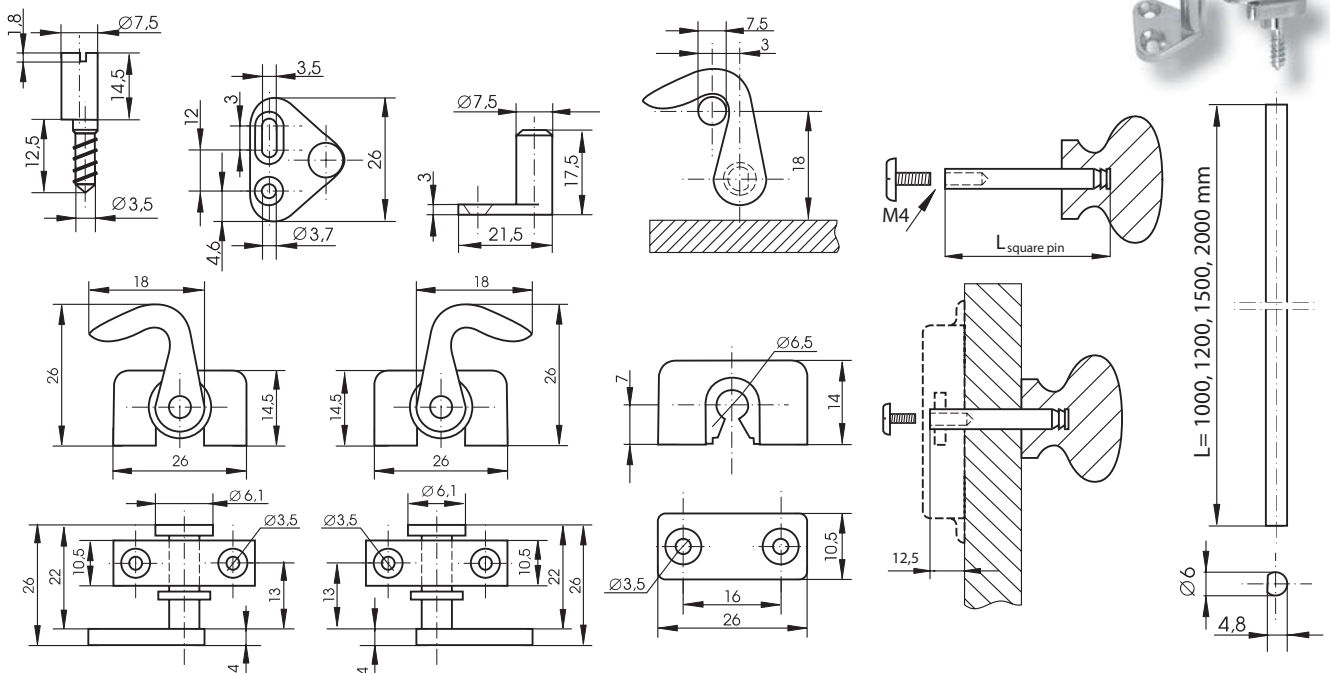
Packing:

- 12 pcs per box
- 120 pcs per carton

Item No.: # 14.05.231



Optional



Application:
Wardrobes/cabinets

Accessories one set:

- 1 lock case
- 2 hooks top/bottom
- 2 bar guides
- 2 eccentric stops

Keys & locking bars to be ordered separately. Bars available in lengths of 1000, 1200, 1500 and 2000 mm in nickel plated, brass plated and bronze plated

Function:

Turn key and locking bars will rotate to make hooks fastened behind the stops cam extend from the lock case and locking at 3 points of the door

Universal right/left hand of the door

Optional:

Stoppers on triangular plate A-1036

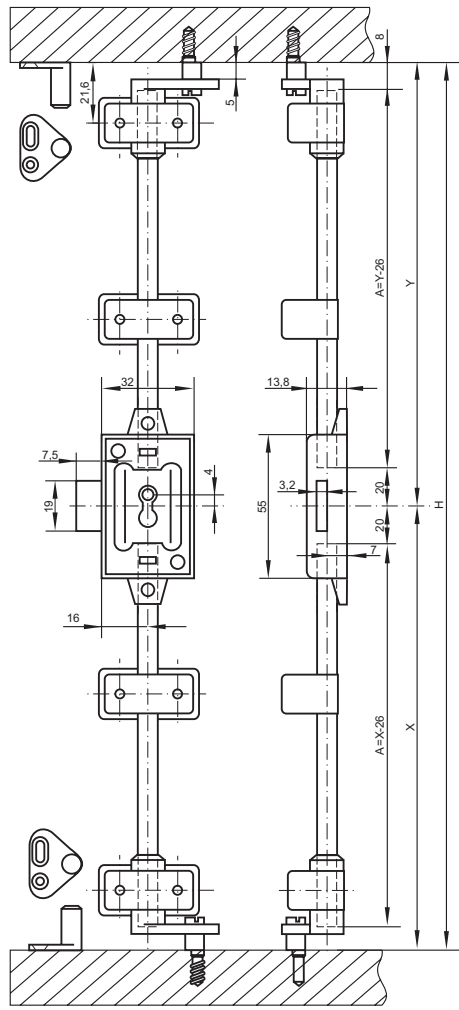
Finish:

Zamak body in nickel plated, brass plated or bronze plated
Plastic body in brown colour

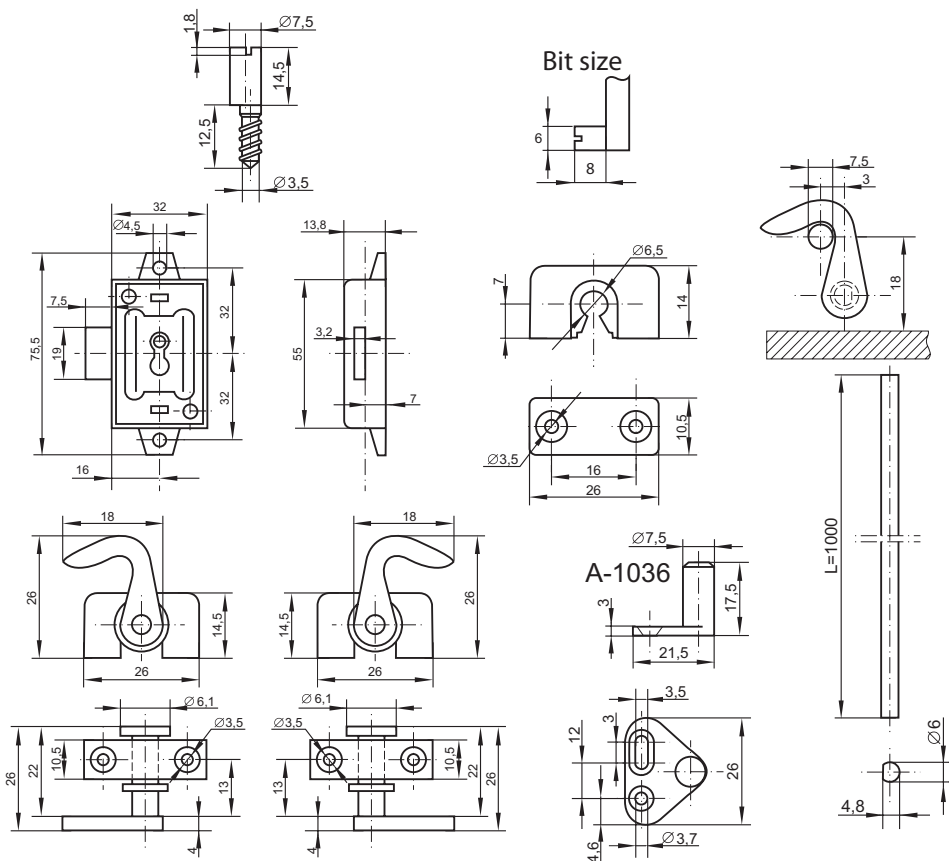
Packing:

15 pcs per box
180 pcs per carton

Item No.: # 14.05.310 etc.



Key to be ordered separately



ESPAGNOLETTE LOCK NO. 920 KEYHOLE TYPE

Application:

Wardrobes and cabinets

Accessories one set:

- 1 lock backset 15 mm right hand
- 2 hooks top/bottom
- 2 bar guides
- 2 eccentric stoppers

Keys & locking bars to be ordered separately. Bars available in lengths of 1000, 1200, 1500 and 2000 mm in nickel plated, brass plated and bronze plated

Function:

Turn key and locking bars will rotate. Hooks will move behind the stops. The cam will extend from the lock case and the door will be locked at 3 points

Optional:

- Other finishes, stoppers on triangular plate A-1036
- Left handed version
- 25 mm backset

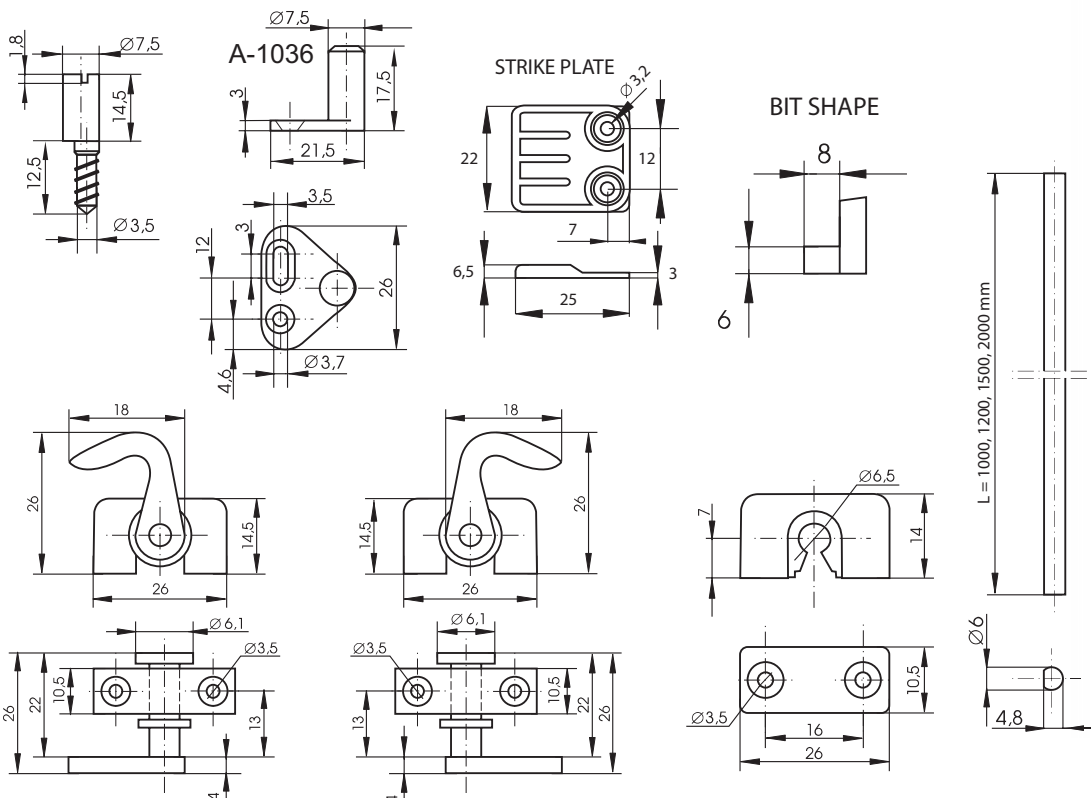
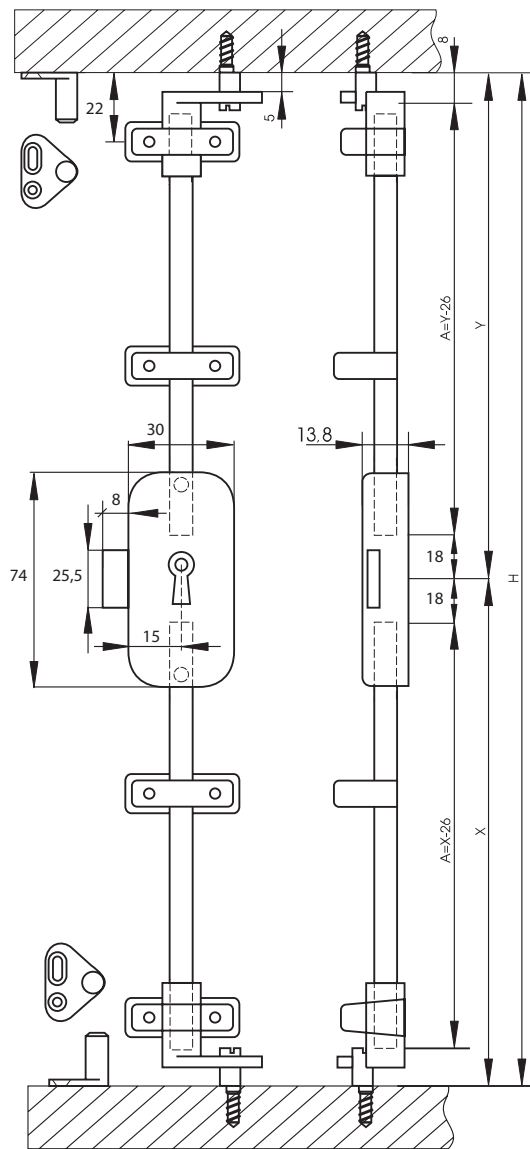
Finish:

- Zamak body in nickel plated or bronze plated
- Plastic body in burgundy colour

Packing:

- 12 pcs per box
- 120 pcs per carton

Item No.: # 14.05.250 etc.



Application:

Heave duty drawers, windows doors, wardrobes and cabinets

Accessories one set:

- 1 lock \varnothing 19 x 22 mm
- 1 rosette
- 4 bar guides
- 2 sockets
- 2 SISO car keys

Locking bars to be ordered separately
Available in lenghts of 1000, 1200 and 2000 mm in nickel plated

Option:

16,5 mm cyl. diam. and longer cyl. lenghts

Function:

Turn key 180° and locking bars extend up and down 9 mm to lock and unlock

Specification:

400 different key combinations or kay alike
Locking bars available in 1000, 1200, 2000 mm lenghts from stock
Other lenghts upon request
Master Key system available on request

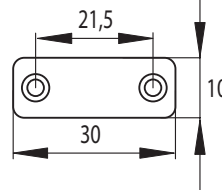
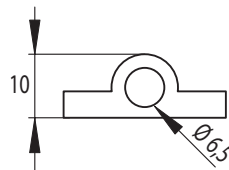
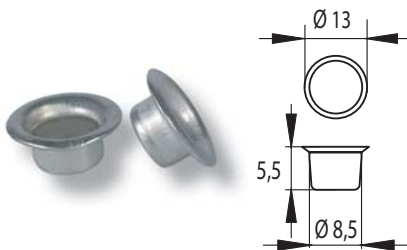
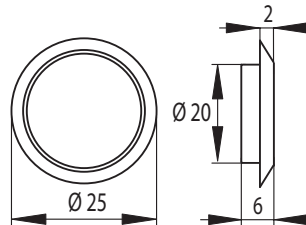
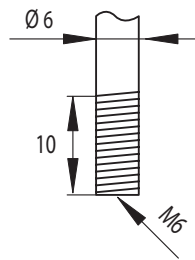
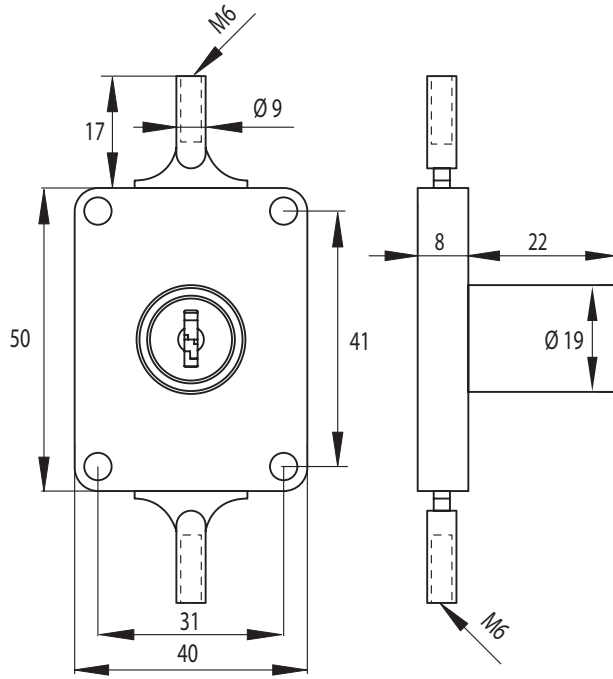
Finish:

Nickel plated

Packing:

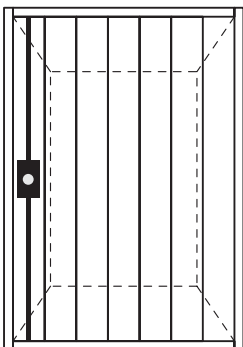
- 12 pcs per box
- 120 pcs per carton

Item No.: # 14.05.300 etc.

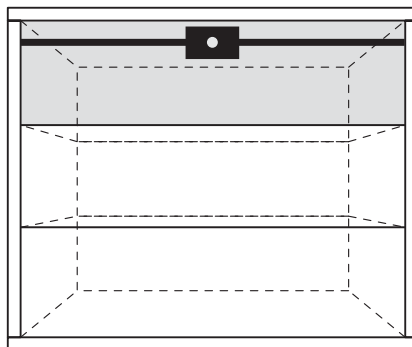


Application

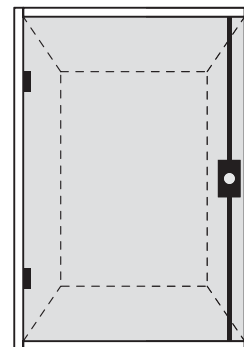
Shutter doors



Heavy duty drawers



Wardrobes



CAM LOCK NO.X-44 F/METAL FURNITURE

Application:

Steel drawers, cabinets, lockers
 Snap in fixing
 Maximum panel thickness 2 mm

Accessories for one set:

1 lock
 1 cam No. 27
 2 SISO car keys

Function:

Turn key 90° or 180° to lock/unlock

Option:

Other cam style/size
 Other rotation angle

Specification:

Zamak lock body & cylinder
 Steel spring clip, cam & keys
 400 key combinations
 Master Key system available on request

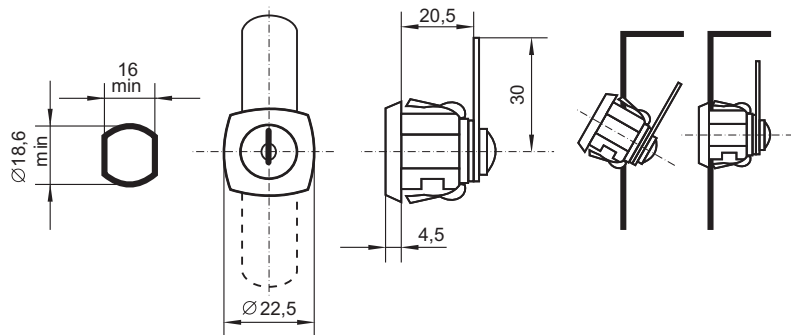
Finish:

Chrome plated

Packing:

36 pcs per box
 360 pcs per export carton

Item No.: # 14.08.070 etc.



CENTRAL LOCK NO.44D F/METAL FURNITURE

Application:

Multi drawer pedestal
 Filing cabinets
 Snap in fixing
 Maximum panel thickness 2 mm

Accessories for one set:

1 lock
 2 SISO car keys

Function:

Turn key 180° to move self made locking bar to lock/unlock any number of drawers

Specification:

Zamak lock body & cylinder
 Steel spring clip, cam & keys
 400 key combinations
 Master Key system available on request

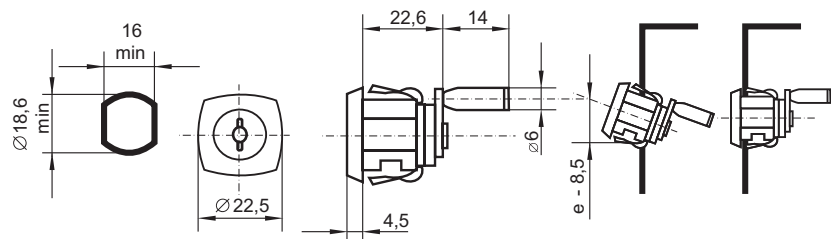
Finish:

Chrome plated

Packing:

36 pcs per box
 360 pcs per export carton

Item No.: # 14.08.090 etc.



Application:

Steel cabinets, lockers, wardrobes, vehicles

Accessories for one set:

- 1 lock handle
- 1 cam plate
- 1 back plate
- 2 SISO car keys
- Mounting screws

Function:

Turn handle 90° to lock/open, turn key to lock handle in closed position

Can be applied for 3-way locking self made pasquil bars

Specification:

Zamak lock body, handle & cylinder
Steel cam & keys
400 key combinations
Master Key system available on request

Finish:

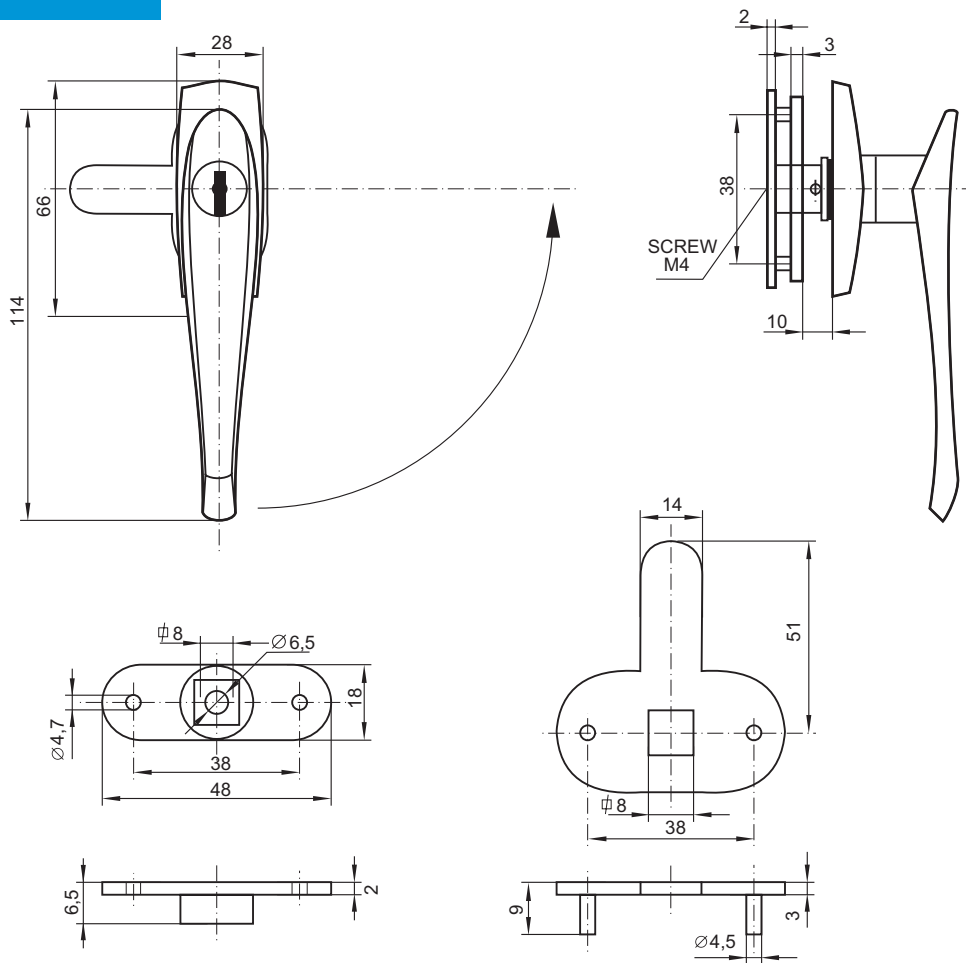
Chrome plated

Packing:

- 8 pcs per box
- 96 pcs per export carton

Item No.:

- Key to differ # 14.08.036
- Key alike # 14.08.037



T-HANDLE #1800 (Front mounted)

Application:

For steel cabinets, garage doors, lockers, wardrobes & vehicles

Accessories for one set:

- 1 lock handle
- 2 SISO car key

Function:

90° turn
Turn key to lock handle in closed position

Specifications:

Zamak lock body, handle & cylinder
Steel cam & keys
400 Key combinations or key alike

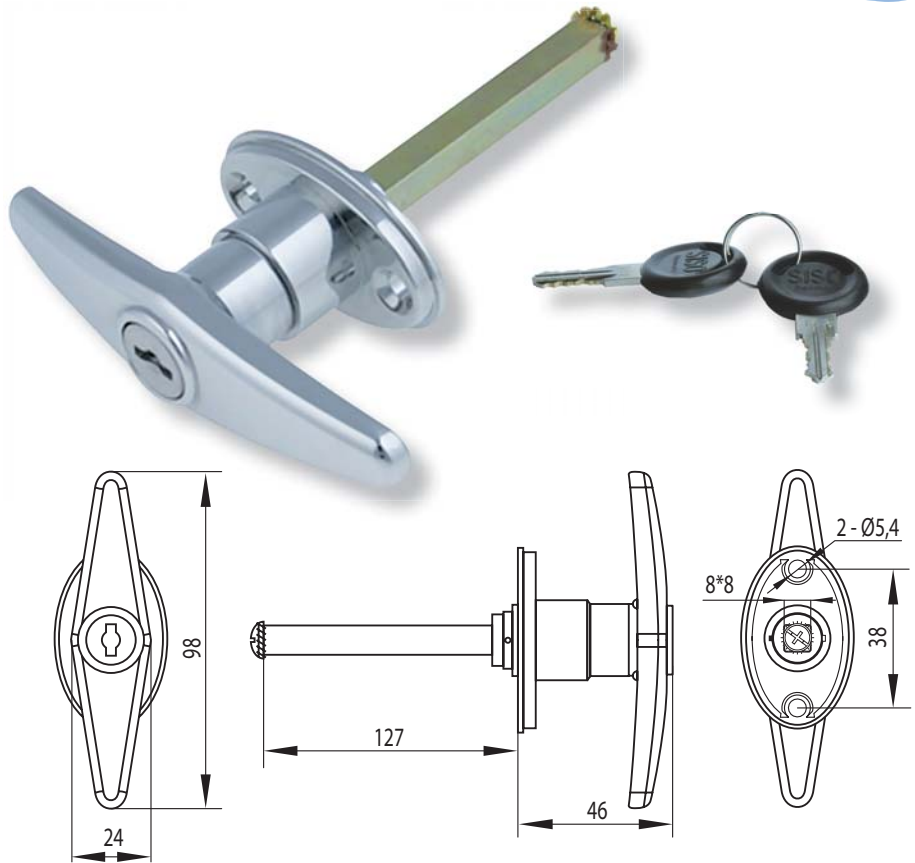
Finish:

Chrome plated

Packing:

- 10 pcs per box
- 100 pcs per export carton

Item No.: # 14.08.058



T-HANDLE #1801 (Back mounted)

Application:

For steel cabinets, garage doors, lockers, wardrobes & vehicles

Accessories for one set:

- 1 lock handle
- 2 SISO car key

Function:

90° turn
Turn key to lock handle in closed position

Specifications:

Zamak lock body, handle & cylinder
Steel cam & keys
400 Key combinations or key alike

Finish:

Chrome plated

Packing:

- 10 pcs pr. box
- 100 pcs pr. export carton

Item No.: # 14.08.057



T-HANDLE NO.T-44

Application:

Steel cabinets, lockers, wardrobes, vehicles

Accessories for one set:

- 1 lock handle
- 1 cam plate
- 1 back plate
- 2 SISO car keys
- Mounting screws

Function:

Turn handle 90° to lock/open.
turn key to lock handle in closed position
Can be applied self made pasquill bars for 3-way locking

Specification:

Zamak lock body, handle & cylinder
Steel cam & keys
400 key combinations or key alike
Master Key system available on request

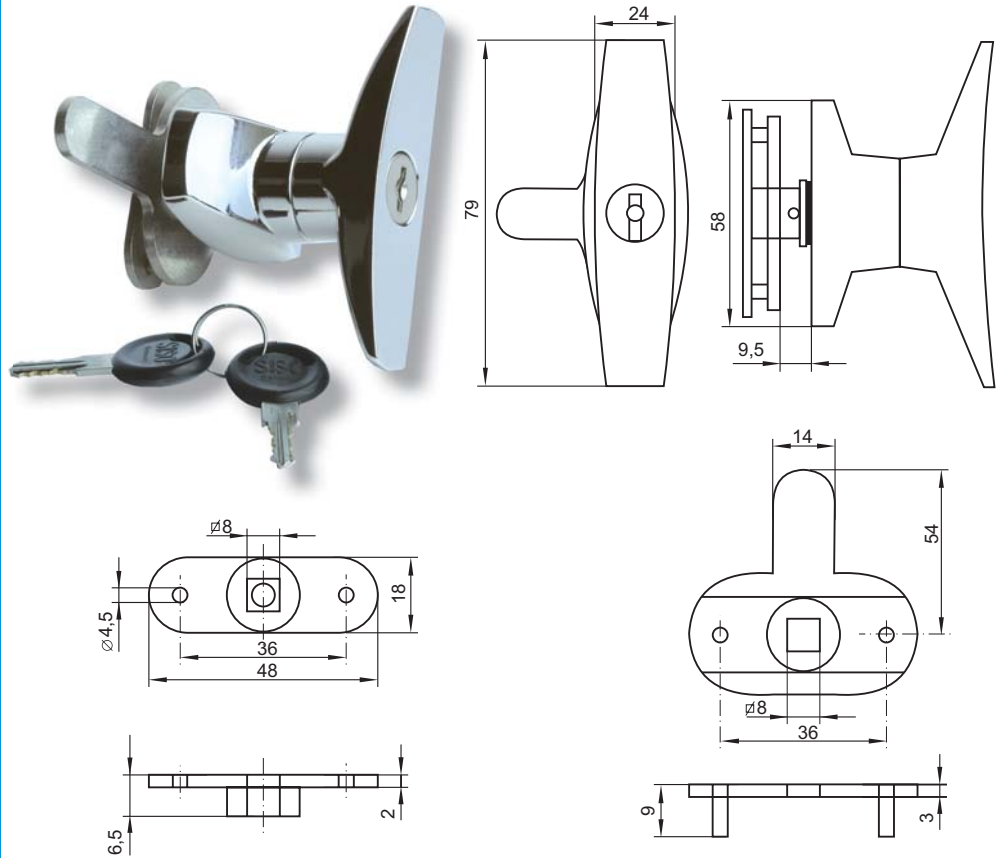
Finish:

Chrome plated

Packing:

- 10 pcs per box
- 100 pcs per export carton

Item No.: # 14.08.055 etc.



T-HANDLE NO. 177

Application:

Steel cabinets, lockers, wardrobes, vehicles

Accessories for one set:

- 1 lock handle
- 2 SISO car keys

Function:

Turn handle 90° To lock/open.
Turn key to lock handle in closed position
Can be applied self made pasquill bars for 3-way locking

Specification:

Zamak lock body, handle & cylinder
Steel cam & keys
400 key combinations or key alike
Master Key system available on request

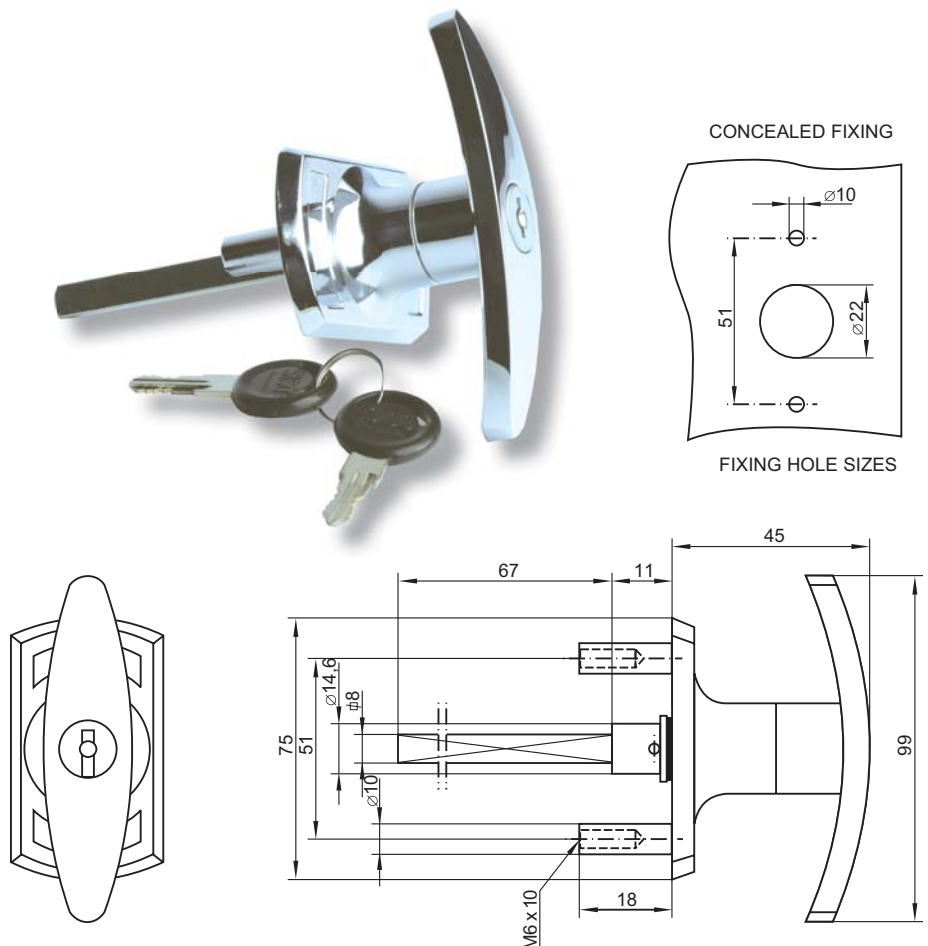
Finish:

Chrome plated

Packing:

- 10 pcs per box
- 100 pcs per export carton

Item No.: # 14.08.056 etc.



LOCKER HANDLE NO. 8813

Application:

Steel cabinets, lockers
and wardrobes
Easy snap on mounting
No screws required

Function:

Turn handle 90° to lock/open
Turn key to lock handle
when in closed position
Can be applied self made
Pasquil bars as 3-way locking
system

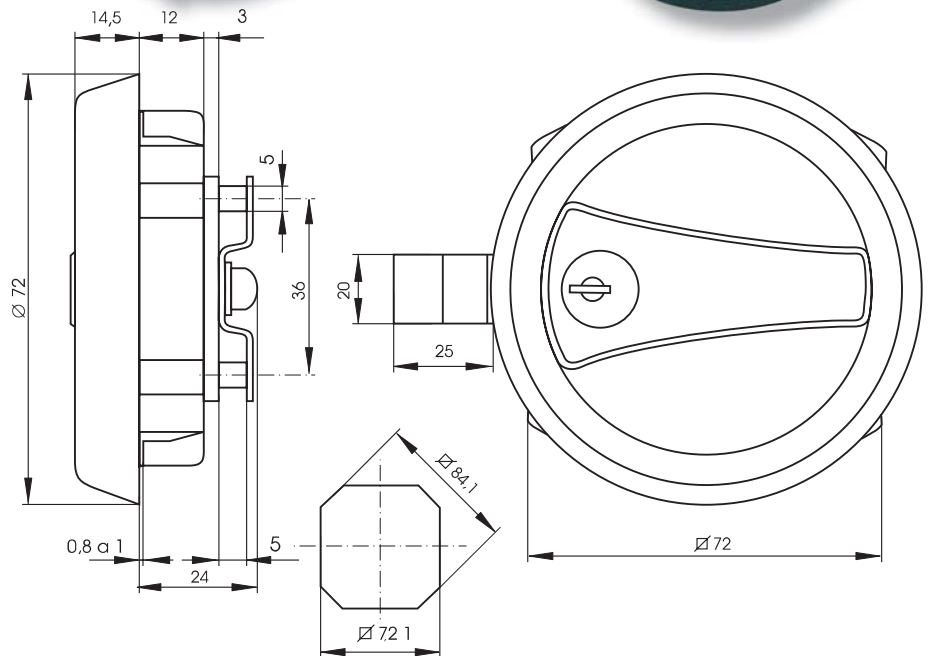
Specification:

Black plastic house
Zamak handle and lock
Keys, cam - steel
400 key combinations or key alike
Master Key system available
on request

Finish:

Handle & back plate in chrome
plated or handle in aluminium
finish and chrome back plate

Item No.: # 14.08.021 etc.



LOCKER HANDLE NO. M-175

Function:

Easy snap in fixing
Turn handle 90° to Lock/Open
turn key to lock handle when in
closed position can be applied
self made pasquil bars
as 3-way locking system

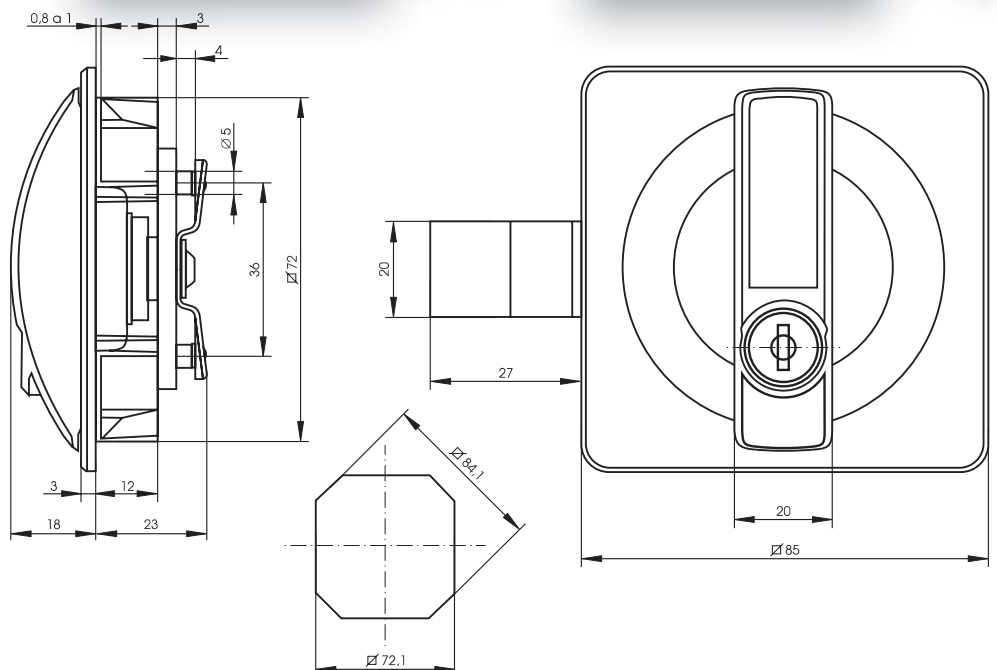
Specification:

Black plastic house
Zamak handle & lock
Steel keys & cam
400 key combinations or key alike
Master Key system available
on request

Finish:

Handle & back plate in chrome
plated or black anodized

Item No.: # 14.08.019 etc.

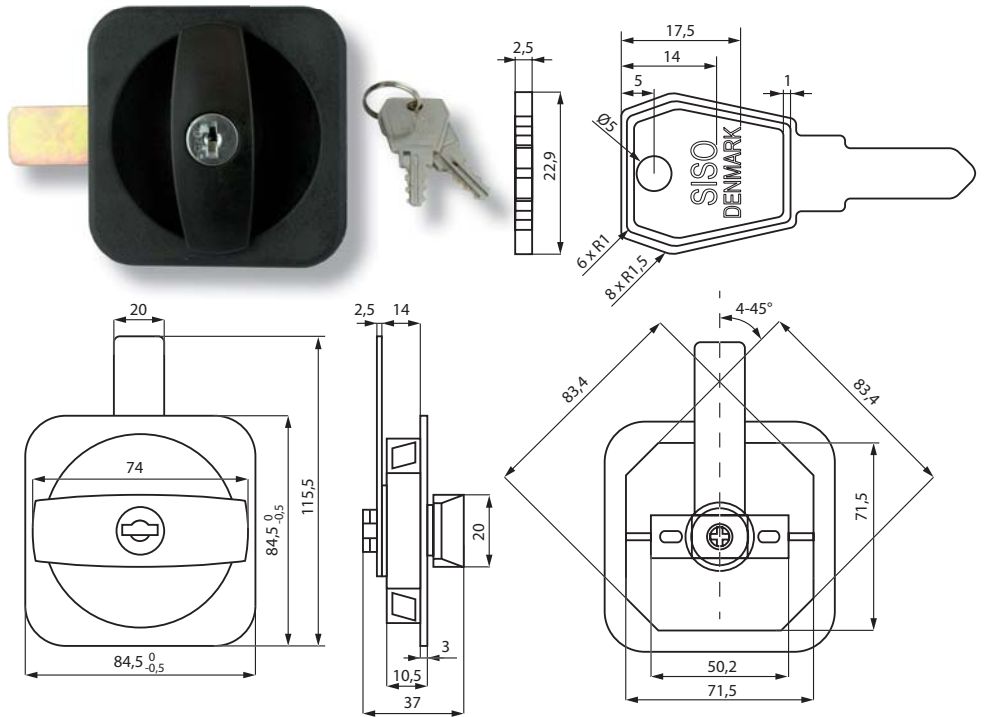


Application:
Steel cabinets lockers & wardrobes.

Description:
Easy snap on mounting
Turn handle 90° to lock/open

Specifications:
Black plastic housing & handle
Zamak cylinder
3 mm cam plate
Extra strong SISO metal keys
400 key combinations

Item No.: # 14.08.030



PASQUIL CABINET LOCK 844

Black coated



Antique bronze



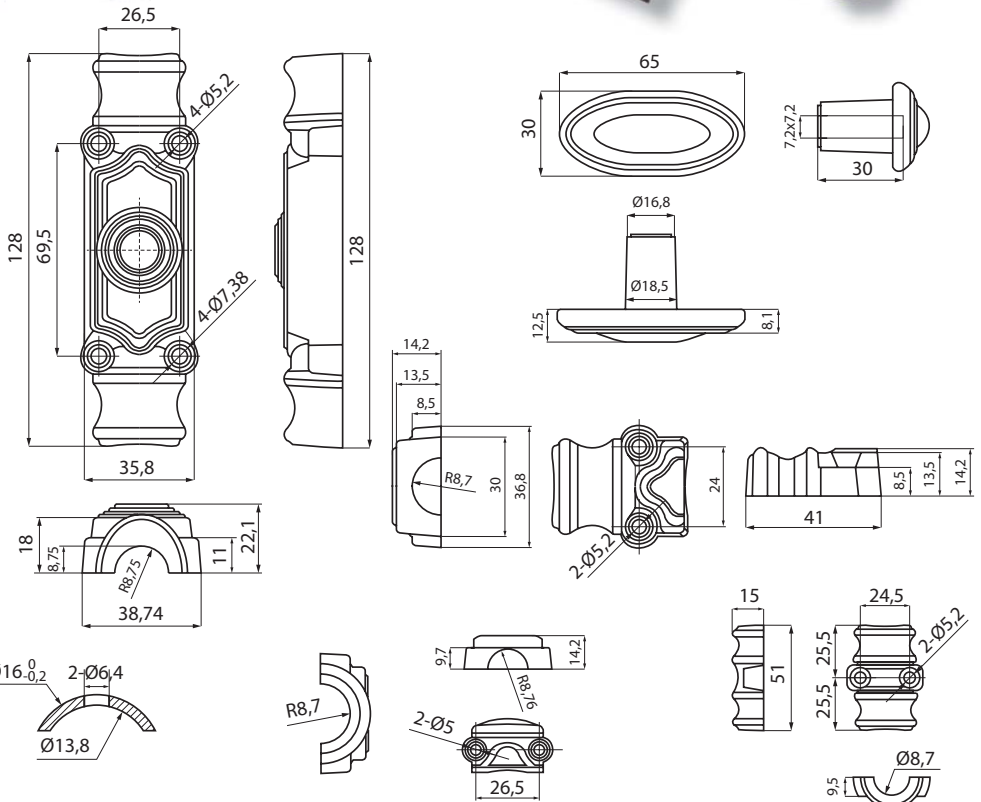
Yellow zinc plated

Description:
Pasquil cabinet lock 844
out bar but accessories

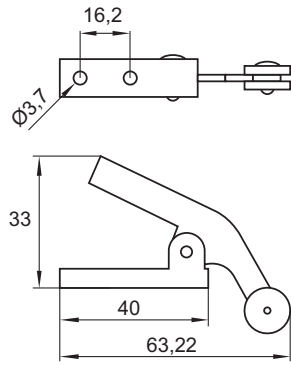
Finish:
Black coated
or antique bronze, YZP for locking bar

Item No:
Black coated
Pasquil cabinet lock # 14.05.551
Locking bar 1500 mm # 14.05.560-5

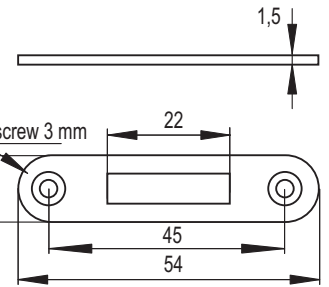
Antique bronze
Pasquil cabinet lock # 14.05.550
Locking bar 1500mm # 14.05.560-0



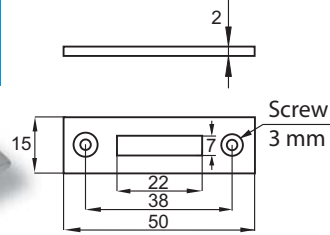
No. # 22.01.019
Automatic Hook Latch
for double door use



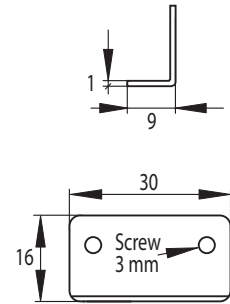
No. # 14.01.472
Striking Plate
for Roll Blind Lock X-2159



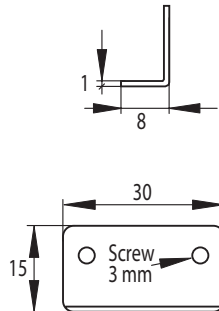
No. # 14.01.510
Flat Striking Plate
for Lock 850/855/853



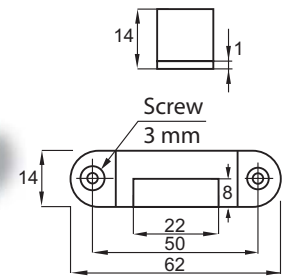
No. # 14.01.064
L-Shape Striking Plate
for Lock 850



No. # 14.07.029
L-Shape Striking Plate
model "KW"

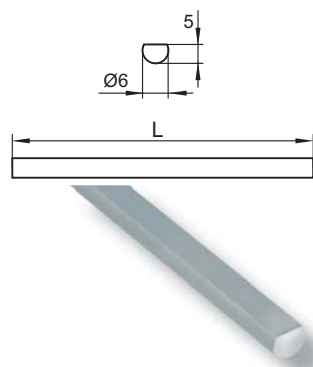


No. # 14.01.500
Raised Striking Plate
for Lock 855



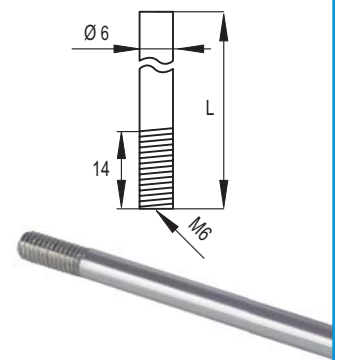
Locking Bars
for Espagnolette Locks

- # 14.05.720 1000 mm Nickel Plated
- # 14.05.723 1000 mm Brass Plated
- # 14.05.724 1000 mm Bronze Plated
- # 14.05.725 1200 mm Nickel Plated
- # 14.05.729 1500 mm Nickel Plated
- # 14.05.730 1500 mm Bronze Plated
- # 14.05.735 2000 mm Nickel Plated

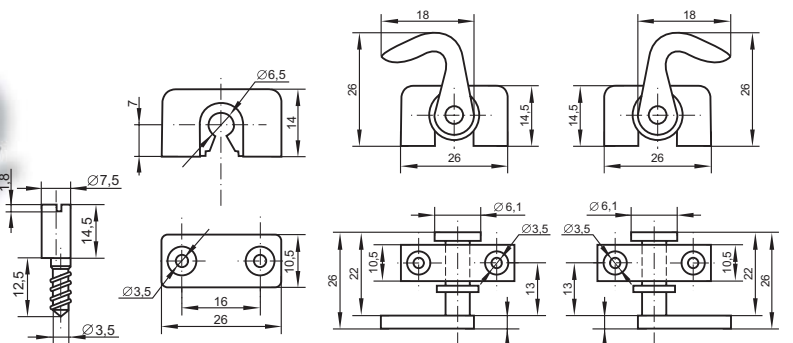


Locking Bars
for Lock 7080

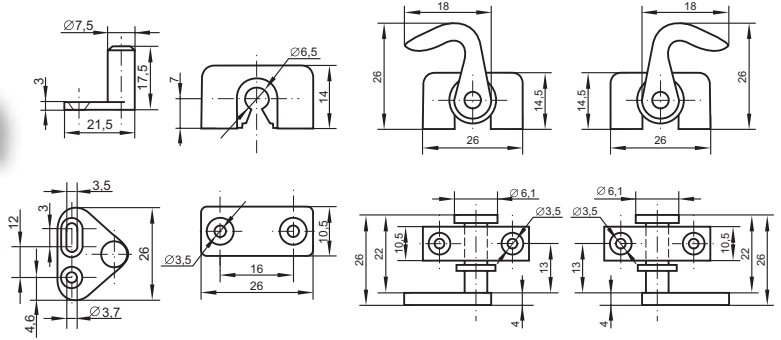
- # 14.05.670 1000 mm Nickel Plated
- # 14.05.671 1200 mm Nickel Plated
- # 14.05.675 2000 mm Nickel Plated



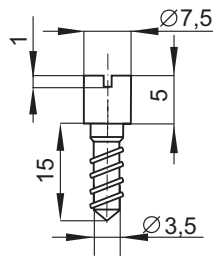
No. # 14.05.740
Accessories:
for Espagnolette Lock
Nickel Plated



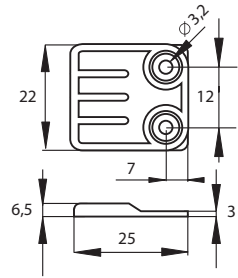
No. # 14.05.741
Accessories
for Espagnolette Lock
Nickel Plated



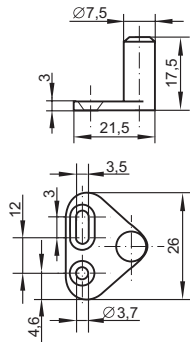
No. # 14.05.875
Screw On Stop
centric 5 mm height head



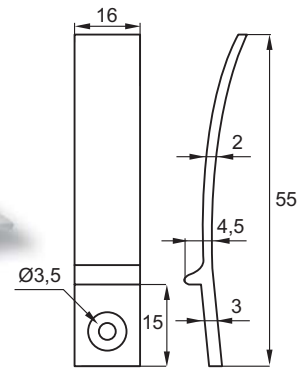
No. # 14.05.890
Door Stops 22 x 25 mm
brown plastic used in connection
Espagnolette Locks



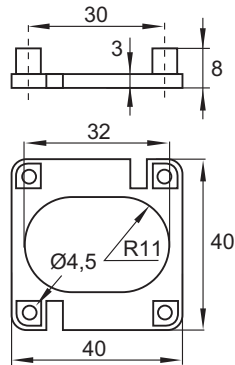
Triangular Locking Bolt
for Espagnolette Lock
No. # 14.05.745 Nickel Plated
No. # 14.05.746 Bronze Plated



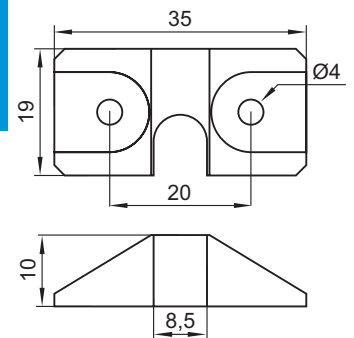
Plastic Drawer Stop
No. # 14.02.000



No. # 14.01.091
Plastic Spacer
for Lock 850
Transparent Colour

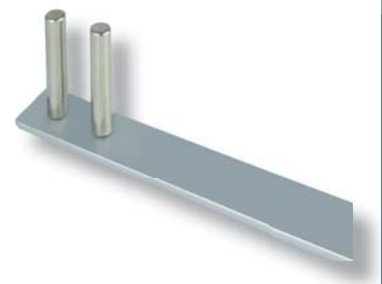
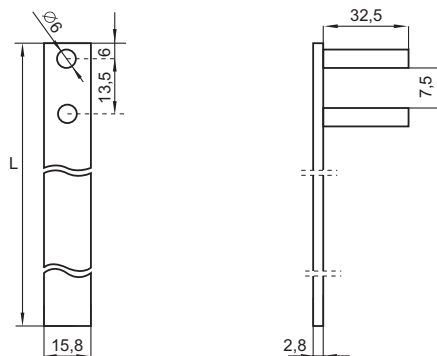


No. # 14.02.010
Plastic Drawer Stop
for Central Locks
Black cc 20 mm

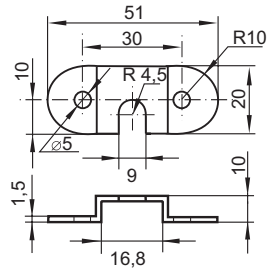


Locking Bar
for Lock 1018

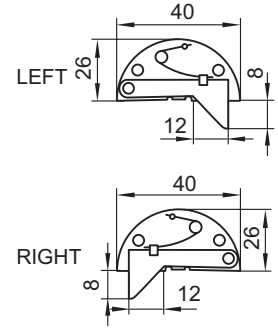
- # 14.04.181 L - 500 mm
- # 14.04.185 L - 600 mm
- # 14.04.190 L - 700 mm
- # 14.04.200 L - 800 mm
- # 14.04.221 L - 1200 mm
- # 14.04.230 L - 1300 mm



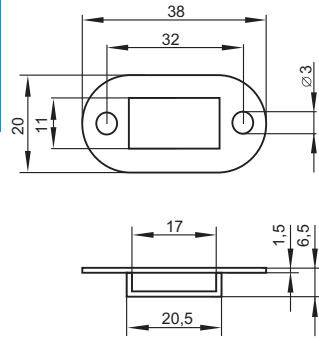
No. # 14.02.011
Metal Drawer Stop
for Central Locks
on metal furniture



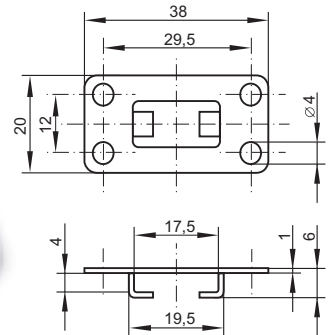
Drawer Stop 913 - A
No. # 14.02.030 Left Hand
No. # 14.02.020 Right Hand



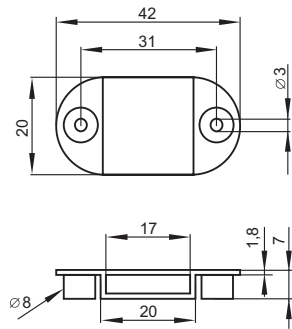
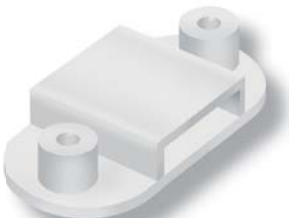
No. # 14.04.089
Plastic Bar Guide
holder for locking bars



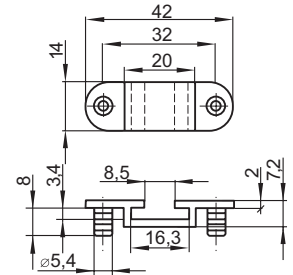
No. # 14.04.091
Metal Bar Guide
holder for locking bars



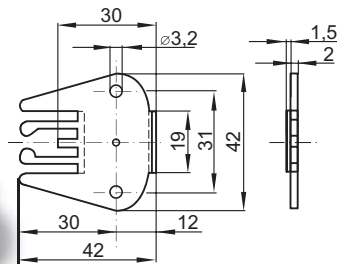
No. # 14.03.285
Plastic Bar Guide
for lay on locking bars



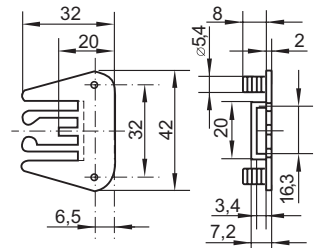
No. # 14.03.286
Plastic bar guide
dark grey
for locking bars



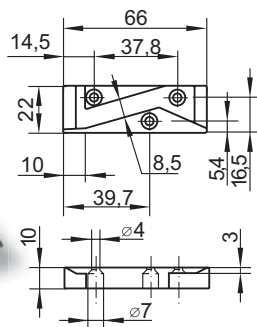
No. # 14.03.280
Plastic Bar Catch
Lyra Shaped Model 1027



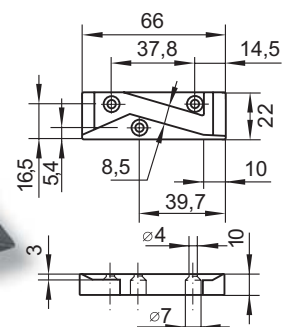
No. # 14.03.281
Plastic bar catch
dark grey
Lyra shaped model 1030



Antitilt Block Plastic Black
Model 1018.030
No. # 14.03.270 Right Hand



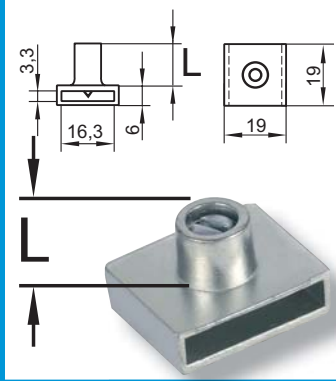
Antitilt Block Plastic Black
Model 1018.030
No. # 14.03.271 Left Hand



Adjustable Peg

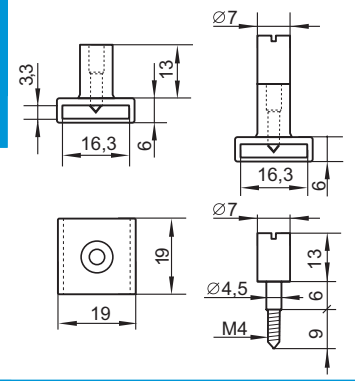
premounted screw

- # 14.04.309 L - 5 mm
- # 14.04.312 L - 6 mm
- # 14.04.310 L - 8 mm
- # 14.04.320 L - 11 mm
- # 14.04.330 L - 13 mm
- # 14.04.350 L - 19 mm



Prolongation Screw 13 mm

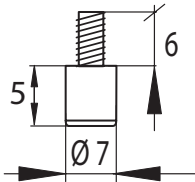
for adj. peg. L - 13 mm
No. # 14.04.421



Prolongation Screw

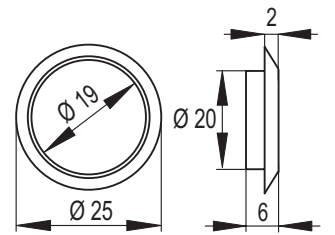
for Push Lock 1003 and 1004

- No.: 5 mm # 14.04.418
- 10 mm # 14.04.419
- 20 mm # 14.04.420



Rosette - 19 mm

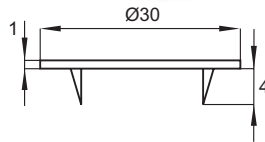
Nickel Plated
No. # 14.04.300



Steel washer w/spikes

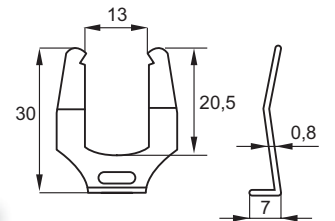
Nickel Plated
For cam locks

No. # 14.04.307



Metal Clip

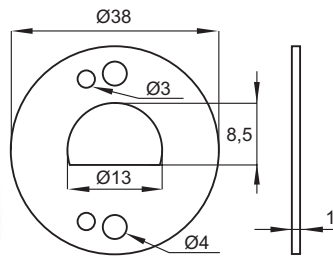
for Cam Lock
No. # 14.04.308



Metal Washer

for Lock 689

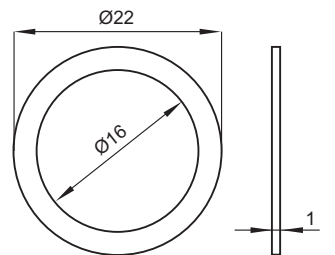
No. # 14.09.155



Transparent Washer

OD: 22 mm, ID: 16 mm
thickness - 1 mm

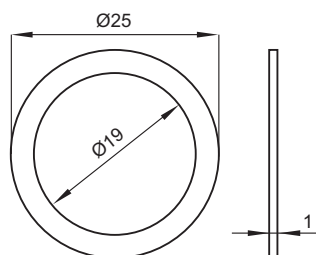
No. # 14.09.301



Plastic Washer "SAFE"

OD: 25 mm, ID: 19 mm

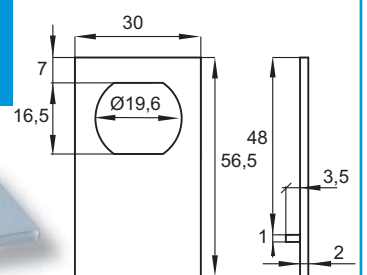
No. # 14.09.340



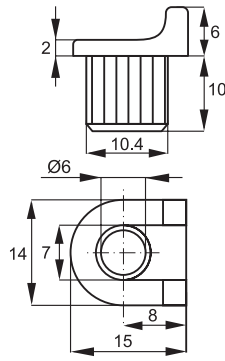
Front Plate

for Lock X-916

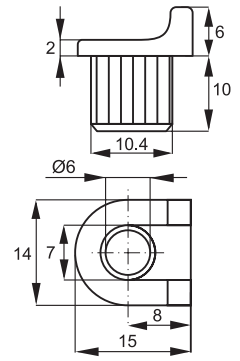
No. # 14.09.066



Knock in Pivot Stop
Zamak
for Lock 689
No. # 14.09.117



Knock in Pivot Stop
Plastic
for Lock 910
No. # 14.09.118



Blank Snake Car Key
No. # 14.04.112



Loose Cylinders F/System
J#11 & J#12.
All W/SISO Hinged Car Keys.
Key to Differ or Key Alike
No. # 14.03.801 - 14.04.067



Blank Metal Key
for lock X-750
No. # 14.04.095



Blank Metal Key
for YALE KEYWAY
Profile Cylinders
No. # 14.04.094



Blank Metal Key
for FAB KEYWAY
Profile Cylinders
No. # 14.04.093



Blank Metal Key
round shape FN2 KEYWAY
No. # 14.04.099



Blank Car Key
single entry F01 KEYWAY
No. # 14.04.102



Blank Hinged Car Key
FN2 KEYWAY
No. # 14.04.103



Blank Car Key
double entry FN2 KEYWAY
NEW
No. # 14.04.106



Master key
F/System #J11 & #J12

No.
#J11 # 14.04.119
#J12 # 14.04.123



Blank metal Key
F/cam lock 1216.

No. # 14.04.092



Interchangeable key
F/System #J11 & #J12

No.
#J11 # 14.04.127
#J12 # 14.04.129



Short Metal Key
harpoons for knocking into
decorative knobs
No. # 14.04.081



Key Knob
Zamak
Matt Chrome Finish
No. # 14.04.080

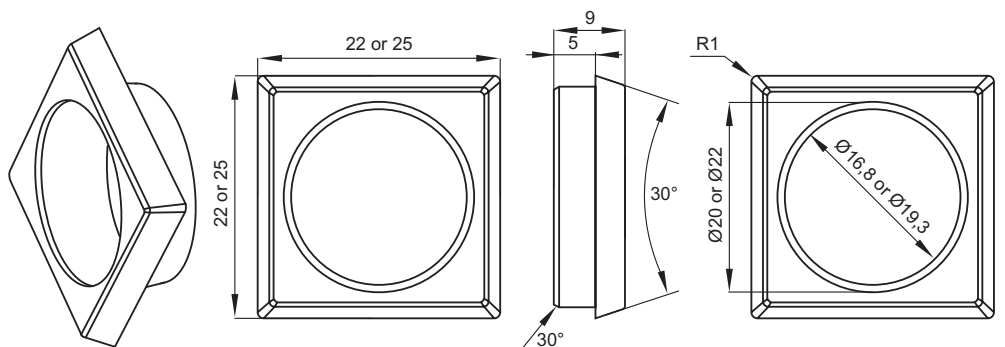
SQUARE ROSETTES

Application:
These square rosettes can be used for locks like model: 850, 1018, 1003, Espagnolette locks etc.

Specifications:
For cylinder $\varnothing 16,5$ and $\varnothing 19$ mm
Size: 22 x 22 mm or 25 x 25 mm
9 mm height

Finish:
Aluminium finish & nickel plated

Item No.:
 $\varnothing 16,5$ mm, NPL # 14.04.302
 $\varnothing 16,5$ mm, ALU # 14.04.303
 $\varnothing 19$ mm, NPL # 14.04.305
 $\varnothing 19$ mm, ALU # 14.04.306

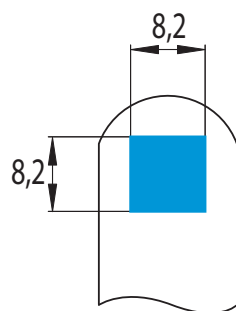


STRAIGHT CAM PLATE	CODE	L
	A01	25
	A02	30
	A03	35
	A04	40
	A05	45
	A06	50

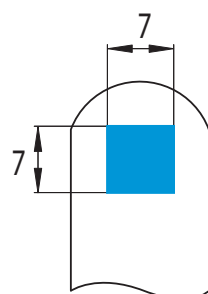
HOOK TYPE CAM PLATE	CODE	L
	A07	25
	A08	30
	A09	40
	A10	50

OFFSET CAM PLATE	CODE	L	H	CODE	L	H	CODE	L	H
	A21	25	2	A31	25	3	A41	25	4
	A22	30	2	A32	30	3	A42	30	4
	A23	35	2	A33	35	3	A43	35	4
	A24	40	2	A34	40	3	A44	40	4
	A25	45	2	A35	45	3	A45	45	4
	A26	50	2	A36	50	3	A46	50	4

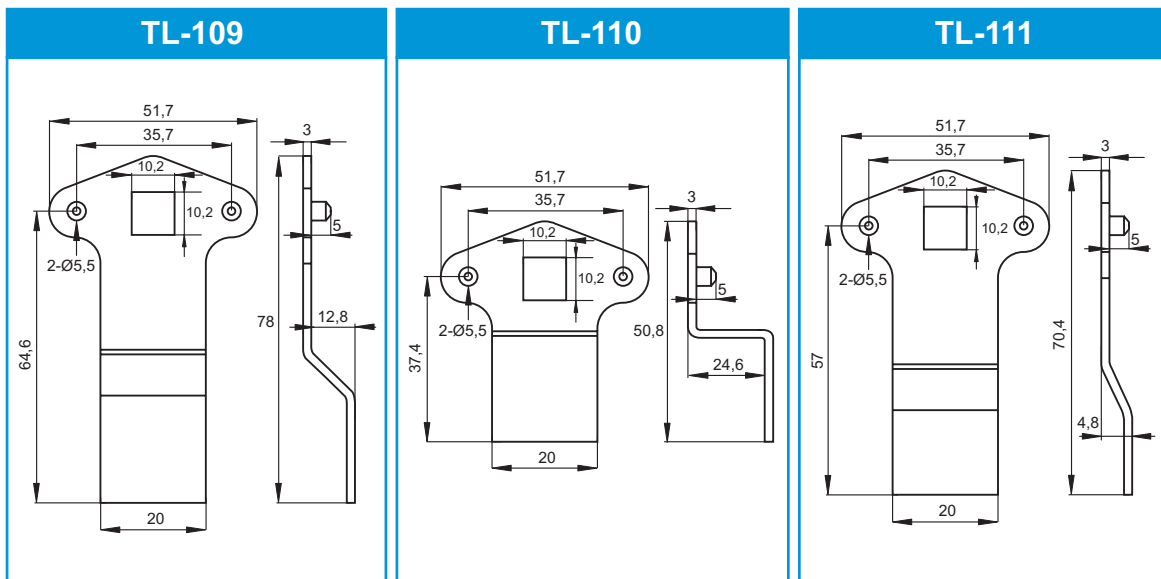
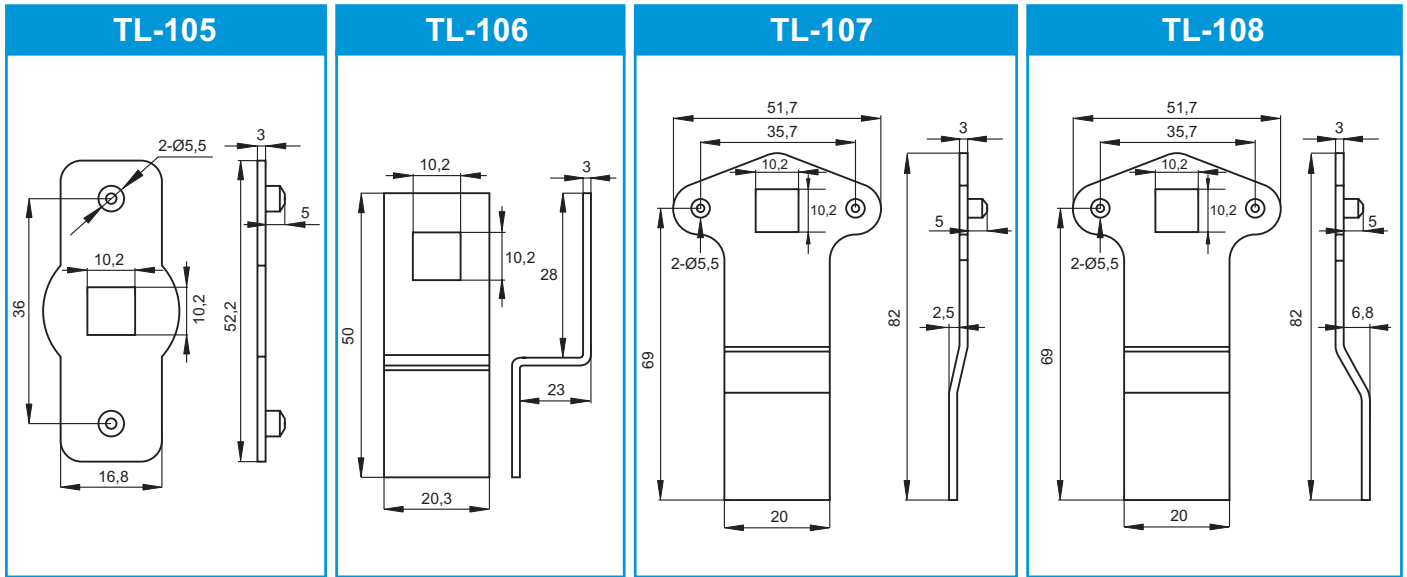
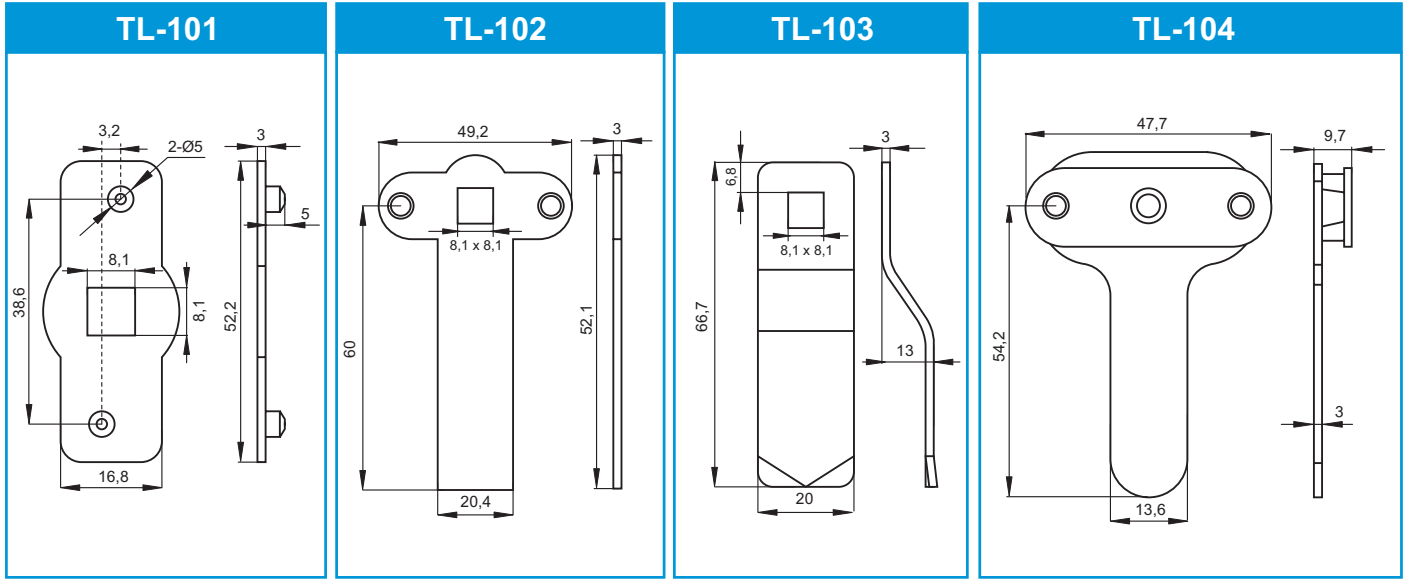
OFFSET CAM PLATE	CODE	L	H	CODE	L	H	CODE	L	H
	A51	25	5	A61	25	6	A71	25	7
	A52	30	5	A62	30	6	A72	30	7
	A53	35	5	A63	35	6	A73	35	7
	A54	40	5	A64	40	6	A74	40	7
	A55	45	5	A65	45	6	A75	45	7
	A56	50	5	A66	50	6	A76	50	7



FOR CAM LOCK 1900 & 5250 SERIES



FOR CAM LOCK MIC 1900 SERIES



GLASS DOOR LOCK MODEL "AUDIO" - NO DRILLING



MODEL „AUDIO“

Finish:
Plastic black # 14.09.256

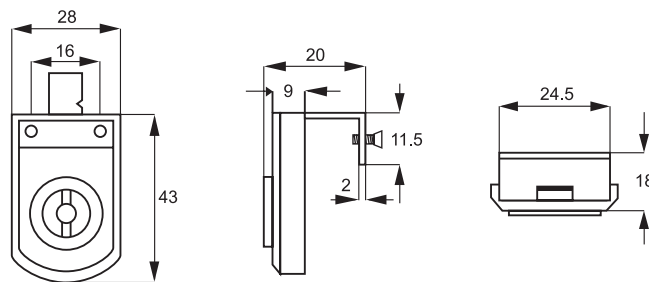
Application:
Hinged glass doors
particularly for audio/hi-fi cabinets
No boring required

Accessories for one set:
1 lock
1 washer
2 screws
2 keys

Function:
Turn key 180°
to lock or unlock

Specification:
Plastic/metal combination
one key change only

Packing:
500 pcs per export carton



GLASS DOOR LOCK VITRIO - HINGED DOORS

MODEL „VITRIO“

Finish:
Chrome plated # 14.09.350
Alu finish # 14.09.352
Gold plated # 14.09.353
Black anodized # 14.09.351
Brass plated # 14.09.360

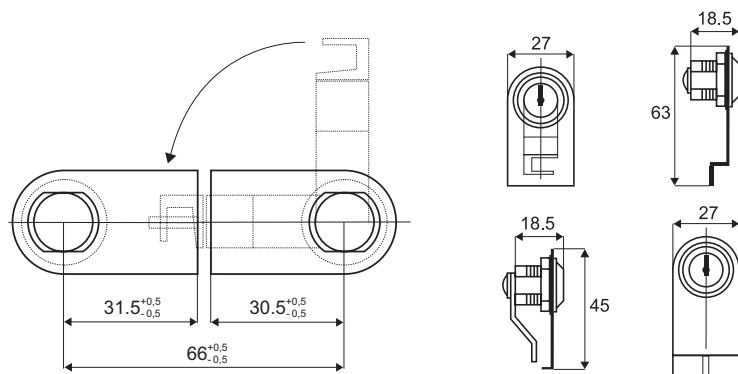
Application:
Double hinged glass doors
Accessories for one set
A) left door
1 decorative cylinder
1 stainless steel front plate
1 hexagonal nut
1 plastic washer
B) right door
1 off-set hook cam
1 stainless steel front plate
1 hexagonal nut
1 plastic washer
2 car keys

Function:
Turn key 90° to lock
or unlock

Specification:
Cylinder zamak
front plates stainless steel
400 key combinations or key alike

Option:
Master key system

Packing:
300 pcs per export carton
25 pcs per box



MODEL #689

Finish:

- Chrome plated # 14.09.130
- Mat nickel plated # 14.09.131
- Gold plated # 14.09.129
- Alu finish # 14.09.132
- Black anodized # 14.09.136

Application:

Glass hinged doors 4-6 mm
Bore: Ø 26 mm

Accessories for one set:

- 1 cylinder lock
- 5 plastic washer
- 1 zamak stopper
- 2 car keys, double entry

Function:

Turn key 180° to lock
or unlock - w/click sound

Specification:

Zamak
400 key combinations or key alike
Master key & Interchangeable
system available on request

Option:

Master key
and interchangeable system

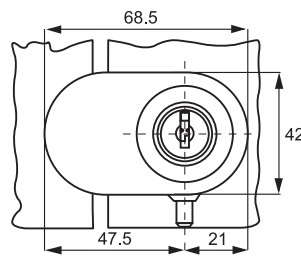
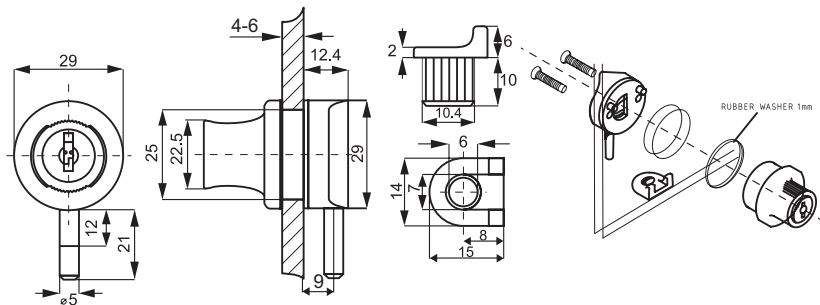
Packing:

20/200 pcs per box

Option:

Lock can be supplied special
designed plate for double hinged
door

- Chrome plated # 14.09.170
- Mat nickel plated # 14.09.171
- Alu finish # 14.09.172
- Gold plated # 14.09.173



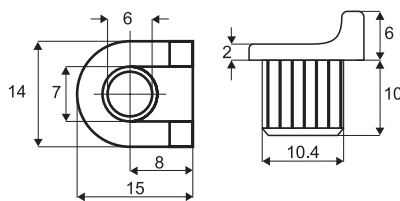
DOOR STOPPER

DOOR STOPPER w/whole

Finish: black plastic # 14.09.118

Application: inset glass door
hinged

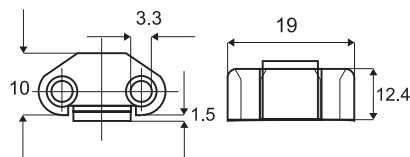
Recommended to use locks
X-689 and 910 (as a stopper and
striking plate)



DOOR STOPPER w/bumper

Finish: black plastic # 14.09.105

Application: glass door hinged
Recommended to use lock 0914



GLASS DOOR LOCK NO. 910 SINGLE DOOR, HINGED



MODEL #910

Finish:

Chrome plated # 14.09.108

Application:

Glass hinged doors 4-6 mm
Bore \varnothing 25 mm

Accessories for one set:

1 cylinder lock
5 washer (plastic & rubber)
2 metal keys, double entry

Function:

Turn key 180° to lock or unlock
- w/click sound

Specification:

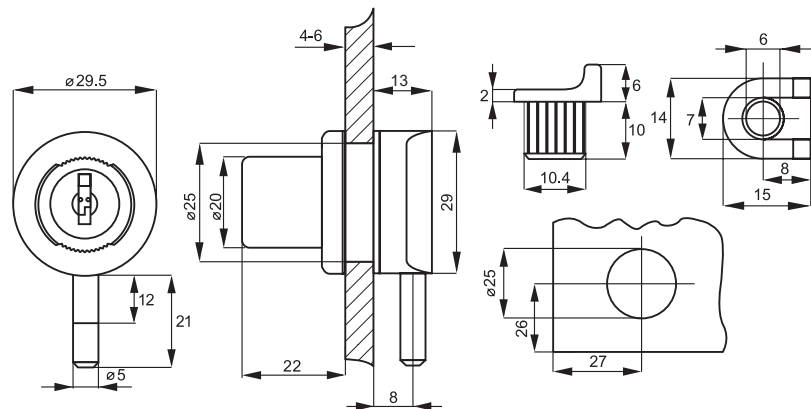
Zamak
400 key combinations or key alike
Master key & Interchangeable
system available on request

Options:

Master key and
interchangeable system

Packing:

240 pcs per export carton



GLASS DOOR LOCK MODEL "SAFE" SINGLE DOOR, HINGED

MODEL „SAFE“

Finish:

Chrome plated # 14.09.320

Application:

Single glass door, hinged
Bore \varnothing 19 mm

Accessories for one set:

1 cam lock
1 hexagonal nut
1 plastic washer
1 straight cam
1 front plate
1 flat striking plate
2 car keys, double entry

Function:

Turn key 90°
to lock or unlock - w/click sound

Specification:

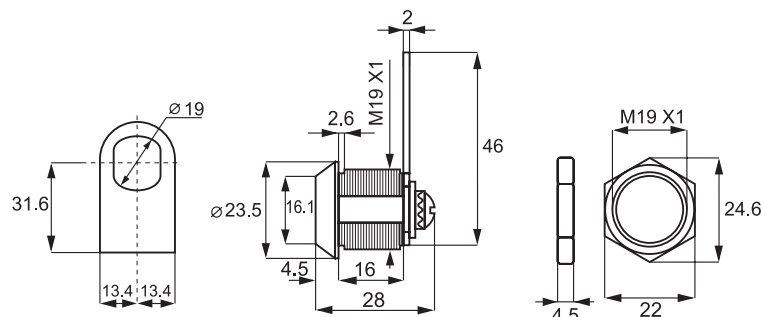
Zamak
400 key combinations or key alike
Master key & Interchangeable
system available on request

Option:

Master key system

Packing:

12 pcs per box
240 pcs per export



MODEL X-916

Finish:

Black anodized # 14.09.047
 Chrome plated # 14.09.048
 Gold plated # 14.09.049

Application:

Hinged glass doors 4-6 mm
 Bore Ø 19 mm

Accessories for one set:

1 cam lock
 1 straight steel cam
 1 plastic washer + 1 hex nut
 1 flat striking plate:
 11 x 57 mm
 2 car keys, double entry
 1 front plate zamak

Function:

Turn key 180° to lock
 or unlock - w/click action

Specification:

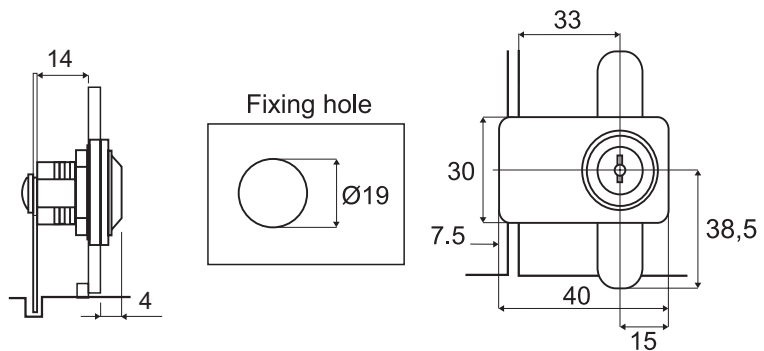
Plate & house: zamak
 400 key combinations or key alike
 Master key & Interchangeable
 system available on request

Option:

Master key system

Packing:

12 pcs per box
 240 pcs per export carton



GLASS DOOR LOCK NO. 917, NO BORE - DOUBLE DOORS, HINGED

MODEL #917

Finish:

Chrome plated # 14.09.220
 Gold plated # 14.09.226
 Alu finish # 14.09.223

Application:

Double glass doors, hinged
 No boring required

Accessories for one set

1 lock w/large front plate
 2 fastening screws
 1 flat striking plate
 2 car keys double entry
 1 plastic distance plate

Optionals:

Door stopper # 14.09.118
 Spring stopper # 14.09.119

Function:

Turn key 180° to lock
 and reverse to unlock

Specification:

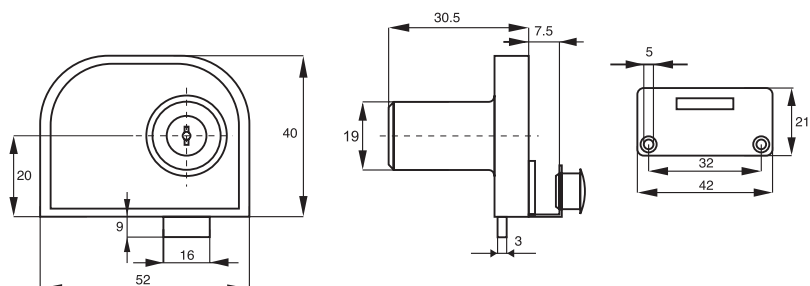
Zamak
 400 key combinations or key alike
 Master key & Interchangeable
 system available on request

Option:

Master key
 and interchangeable system

Packing:

12 pcs per box
 240 pcs per export box carton



MODEL X-907

Finish:

Chrome plated	# 14.09.417
Mat nickel plated	# 14.09.416
Gold plated	# 14.09.418
Black anodized	# 14.09.419

Application:

Glass sliding doors

Accessories:

- 1 lock
- 2 car keys, double entry
- 2 transparent washers

Function:

Push and turn key
90° to lock or unlock

Specification:

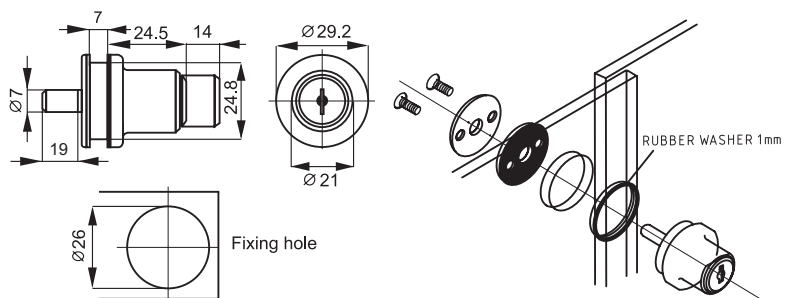
Zamak
400 key combinations or key alike
Master Key system available
on request

Options:

Master key system

Packing:

200 pcs per box



BRASS GLASS DOOR LOCK "SWAN" FOR 8-10 MM GLASS

MODEL „SWAN“

Finish:

Gold plated	# 14.09.000
Chrome plated	# 14.09.001

Material:

Brass

Consists of:

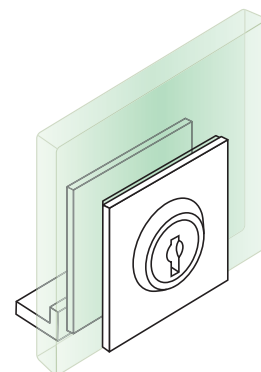
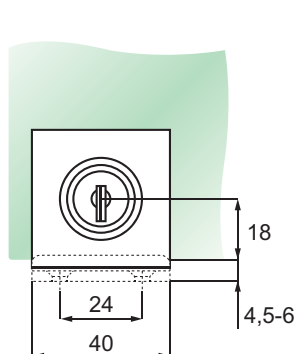
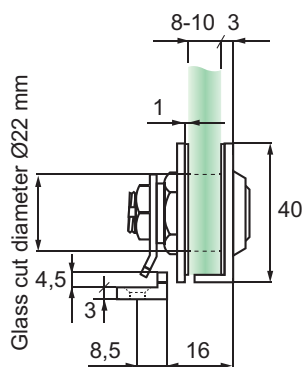
- 1 cylinder $\varnothing 20 \times 23$ mm
- 1 front plate w/bottom support
40 x 40 mm
- 1 back plate 40 x 40 mm
- 2 SISO metal keys, key alike
- 2 transparent cushions
- 1 hexagonal nut
- 1 off-set brass cam
- 1 raised brass striker

Function:

Turn key 180° to lock or unlock

Packing:

100 pcs per export carton



GLASS DOOR LOCK NO. 64081 SINGLE DOOR, HINGED

MODEL #64081

Finish:

- Chrome plated # 14.09.210
- Gold plated # 14.09.211
- Black anodized # 14.09.212

Application:

Single glass door, hinged
No boring required

Accessories for one set:

- 1 lock w/front plate
- 2 fastening screws
- 1 flat striking plate
- 2 car keys double entry
- 1 plastic distance plate

Function:

Turn key 180° to lock
and reverse to unlock

Specification:

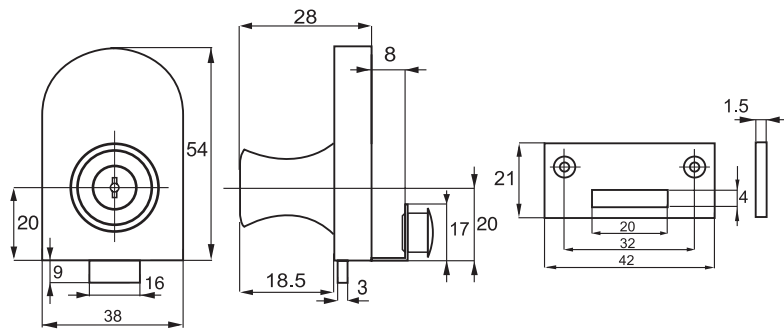
Zamak
400 key combinations
or key alike
Master key & Interchangeable
system available on request

Option:

Master key
and interchangeable system

Packing:

- 20 pcs per box
- 200 pcs per export carton



GLASS DOOR LOCK NO. 918

MODEL No. 918

Finish:

- Chrome plated # 14.09.217
- Alu finish # 14.09.217-1

Application:

Single glass doors, hinged
No boring required

Accessories for one set:

- 1 lock w/front plate
- 2 fastening screws
- 1 flat striking plate
- 2 car keys double entry
- 1 plastic distance plate

Optionals:

- Door stopper # 14.09.118
- Spring stopper # 14.09.119

Function:

Turn key 180°
to lock and reverse to unlock

Specification:

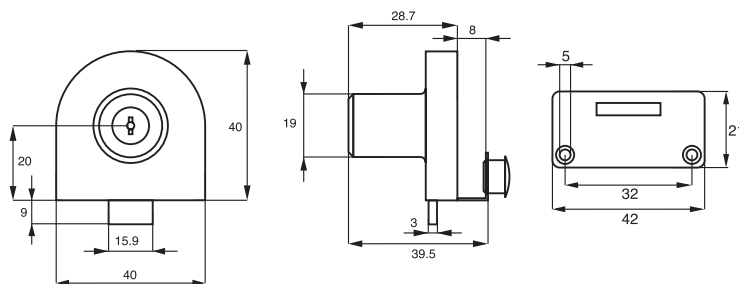
Zamak
400 key combinations or key alike
Master key & Interchangeable
system available on request

Option:

Master key
and interchangeable system

Packing:

- 12 pcs per box
- 240 pcs per export carton



STRIKER F/LOCK NO. 918 F/DOUBLE HINGED DOORS



MODEL „STRIKER“

Finish:

- Chrome plated # 14.09.246
- Alu finish # 14.09.247
- Gold plated # 14.09.248

Application:

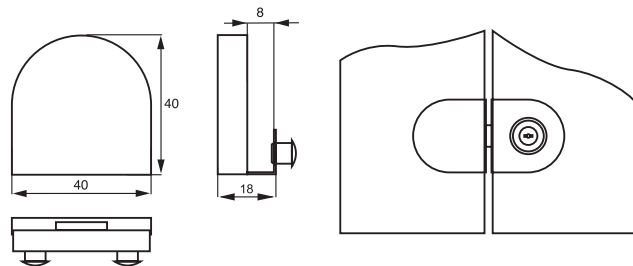
- Single glass door, hinged
- No boring required

Accessories for one set:

- 1 lock w/front plate
- 2 fastening screws
- 1 flat striking plate
- 1 plastic distance plate

Packing:

- 24 pcs per box
- 240 pcs per export carton



GLASS DOOR LOCK "VETRO"

MODEL „VETRO“

Finish:

- Chrome plated # 14.09.261
- Gold plated # 14.09.260
- Black anodized # 14.09.262

Application:

- Single glass door, hinged
- No boring required
- Max 8 mm glass thickness

Accessories for one set:

- 1 lock w/front plate:
- 2 fastening screws
- 1 flat striking plate
- 2 car keys double entry
- 1 plastic distance plate

Function:

- Turn key 180° to lock
- and reverse to unlock

Specification

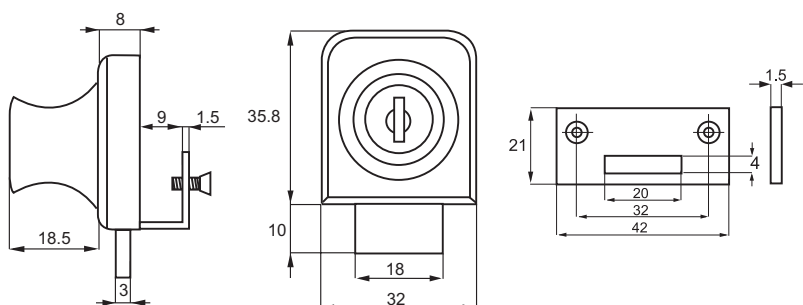
- Zamak
- 400 key combinations
- or key alike
- Master key & Interchangeable system available on request

Option:

- Master key
- and interchangeable system

Packing:

- 24 pcs per box
- 240 pcs per export carton



"VETRO-DOUBLE" FOR SINGLE & DOUBLE DOORS, HINGED

MODEL „VETRO-DOUBLE“

Finish:

Chrome plated # 14.09.270
Gold plated # 14.09.271
Black anodized # 14.09.272

Application:

Double glass doors, hinged
No boring required
Max 8 mm glass thickness

Accessories for one set:

1 lock w/front plate
2 fastening screws
1 flat striking plate
2 car keys double entry
1 plastic distance plate

Optionals:

Door stopper # 14.09.118
Spring stopper # 14.09.119

Function:

Turn key 180°
to lock and reverse to unlock

Specification:

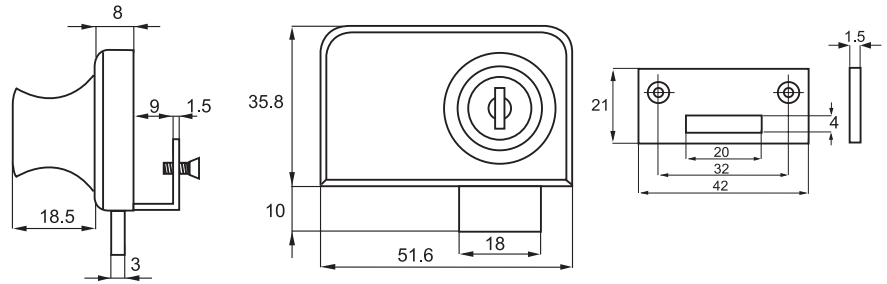
Zamak, 400 key combinations
or key alike
Master key & Interchangeable
system available on request

Option:

Master key
and interchangeable system

Packing:

24 pcs per box
240 pcs per export carton



GLASS DOOR LOCK "MINI" SLIDING DOORS

MODEL „MINI“

Finish:

Chrome plated

Application:

Glass sliding door

Accessories for one set:

1 lock
2 car keys
1 nut

Function:

to lock - push the cylinder
to unlock - turn key

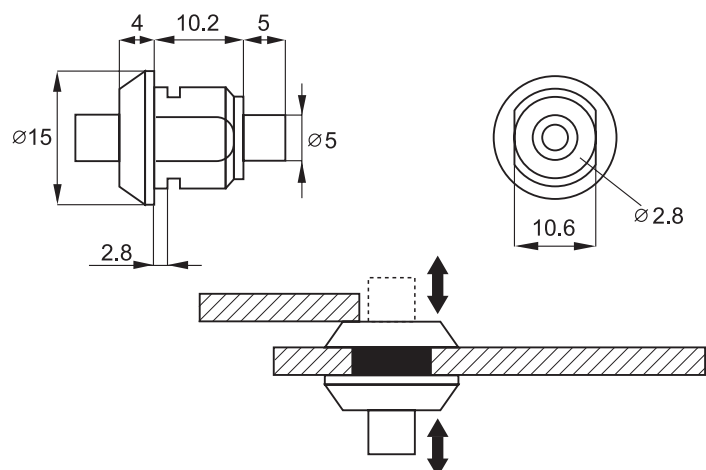
200 key combinations # 14.03.040
key alike # 14.03.041

Options:

15 000 key combinations

Packing:

100 pcs per box
5 box per export carton



MODEL X-750

Finish:

Chrome plated - 100 mm # 14.09.025

Chrome plated - 132 mm # 14.09.031

Chrome plated - 135 mm # 14.09.029

Application:

Glass sliding doors

Accessories for one set:

1 removable lock

1 ratchet 100 or 132 mm

1 screw w/protection pad

2 metal keys

Function:

Mount ratchet into lock flat end facing the fastening screw (see illustration). Turn key 180° and remove key to activate the lock

Specification:

Zamak lock

Ratchet steel

25 key combinations

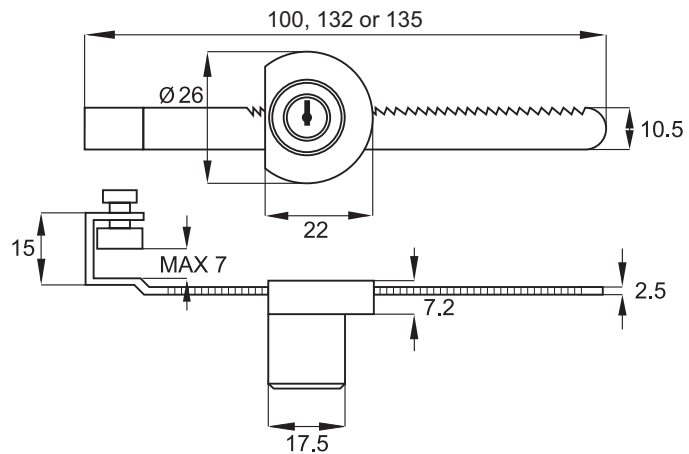
Option:

Master key or key alike

Packing:

240 pcs per export carton

12 pcs per box



GLASS DOOR LOCK NO. 409

MODEL # 409

Finish:

Brass, chrome plated

Application:

Glass sliding doors

Accessories for one set:

1 plug - in cylinder

1 housing (2 parts)

2 rubber washers

2 screws

2 keys

Function:

Place cylinder into lock case, turn and remove key, key removable in locked position only

Specification:

Brass lock

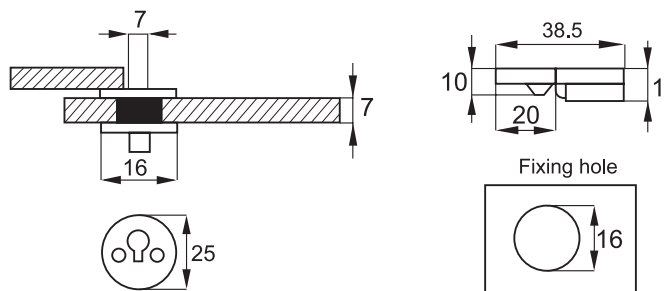
25 key combinations # 14.09.300

or key alike # 14.09.315

Packing:

500 pcs per export carton

25 pcs per box



MODEL # 8600

Finish:

- Chrome plated # 14.09.420
- Alu finish # 14.09.423
- Chrome w/Master key # 14.09.422

Application:

Double sliding glass doors on alu rails

Accessories:

- 1 lock cylinder 22 mm
- 1 grub screw for fastening
- 2 metal keys, double entry

Function:

- Push cylinder to lock
- Turn key to unlock

Specification:

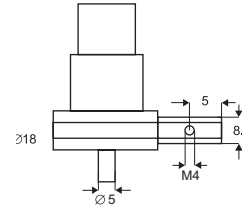
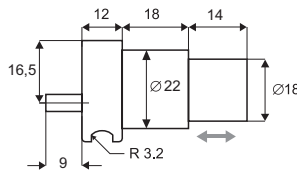
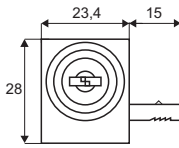
Zamak house: 28 x 24 x 12 mm
400 key combinations or key alike
Master Key system available on request

Option:

Master key

Packing:

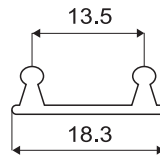
250 pcs per export carton
25 pcs per box



ACCESSORIES

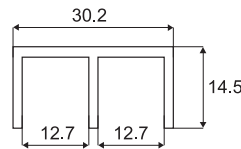
BOTTOM TRACK

Aluminium:
Anodized # 22.26.030
Standard length: 2 metres



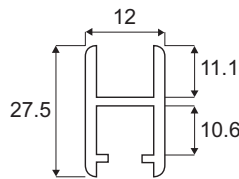
TOP E-TRACK

Aluminium:
Anodized # 22.26.010
Standard length: 2 metres

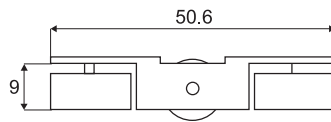


GLASS H-RAIL

Aluminium:
Anodized # 22.26.020
Standard length: 2 metres
For 5 - 6 mm glass thickness



TROLLEY w/Nylon Wheels
Nickel plated # 22.26.040
Load capacity: 3 kg



U-SPLINE PLASTIC # 22.26.060
Rolls of 100 mts

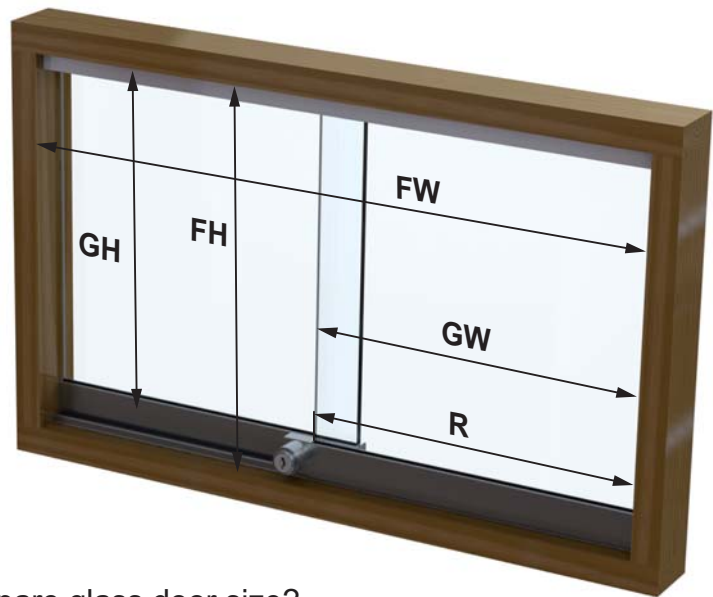
SILENCER # 22.26.070
Plastic, clear
Bags of 100 pcs

END CAP ZAMAK
Chrome plated # 22.26.050
Alu finish # 22.26.049

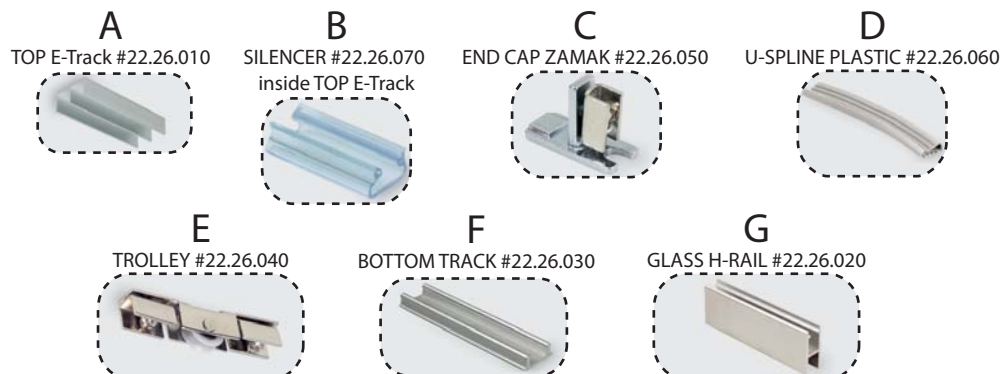
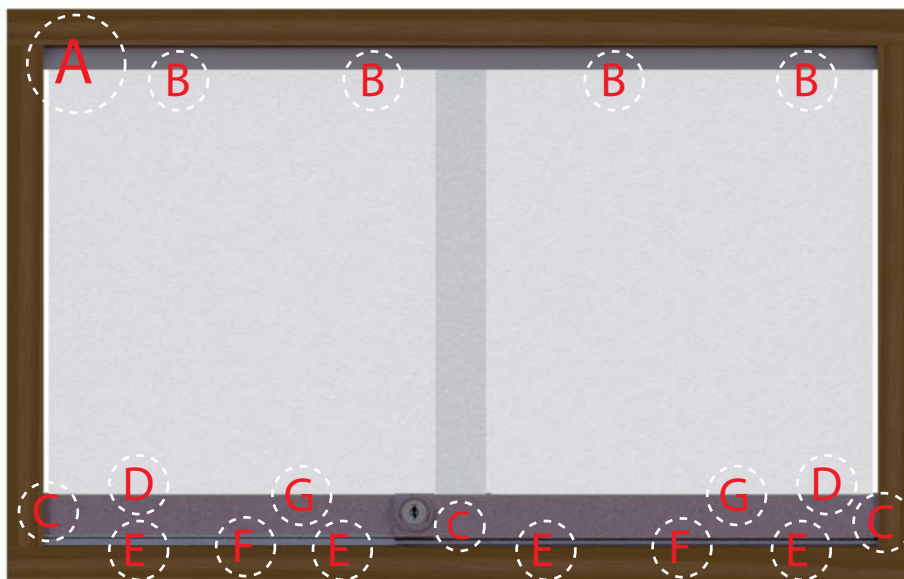
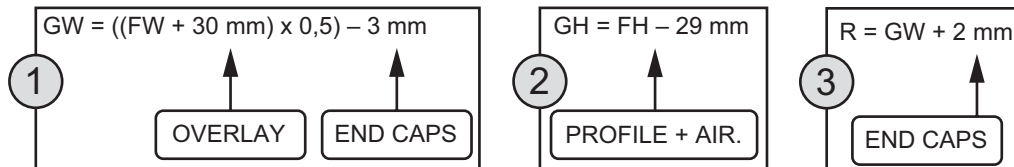


SYSTEM #8600

FW = Frame width (inside measurement)
 GW = Glass width
 FH = Frame height (inside measurement)
 GH = Glass height
 R = Rail length



How to prepare glass door size?



MODEL #2010

Finish:

Alu finish	# 14.09.460
Chrome plated	# 14.09.461
Gold mat plated	# 14.09.463
Gold bright plated	# 14.09.462

Application:

Double sliding glass doors
premounted on aluminium frame

Accessories for one set:

- 1 cylinder push lock $\varnothing 22$ mm
- 1 universal bottom part
premounted for insertion
into H-rail on left or right side
- 2 grub screws for fastening onto the
h-rail
- 5 allen keys for every
20 lock sets for tightening the grub
screws
- 2 car keys, double entry

Function:

Push cylinder to lock
and turn key to unlock

Specification:

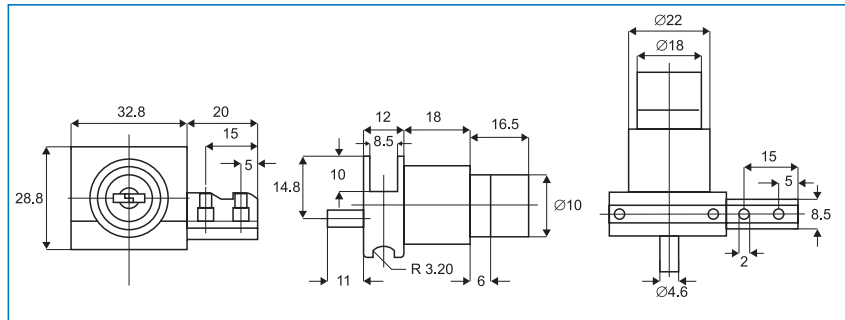
Zamak 400 key combinations
or key alike
Master Key system available
on request

Option:

Master key system

Packing:

200 pcs per export carton
20 pcs per box



ACCESSORIES

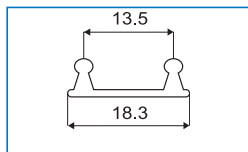
**U-SPLINE
PLASTIC** # 22.26.060
Rolls of 100 mts

SILENCER # 22.26.070
Plastic, clear
Bags of 100 pcs

END CAP ZAMAK
Chrome plated # 22.26.051
Alu finish # 22.26.052

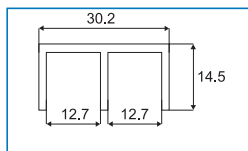
BOTTOM TRACK

Aluminium:
Anodized # 22.26.030
Standard length: 2 metres



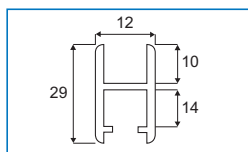
TOP E-TRACK

Aluminium:
Anodized # 22.26.010
Standard length: 2 metres

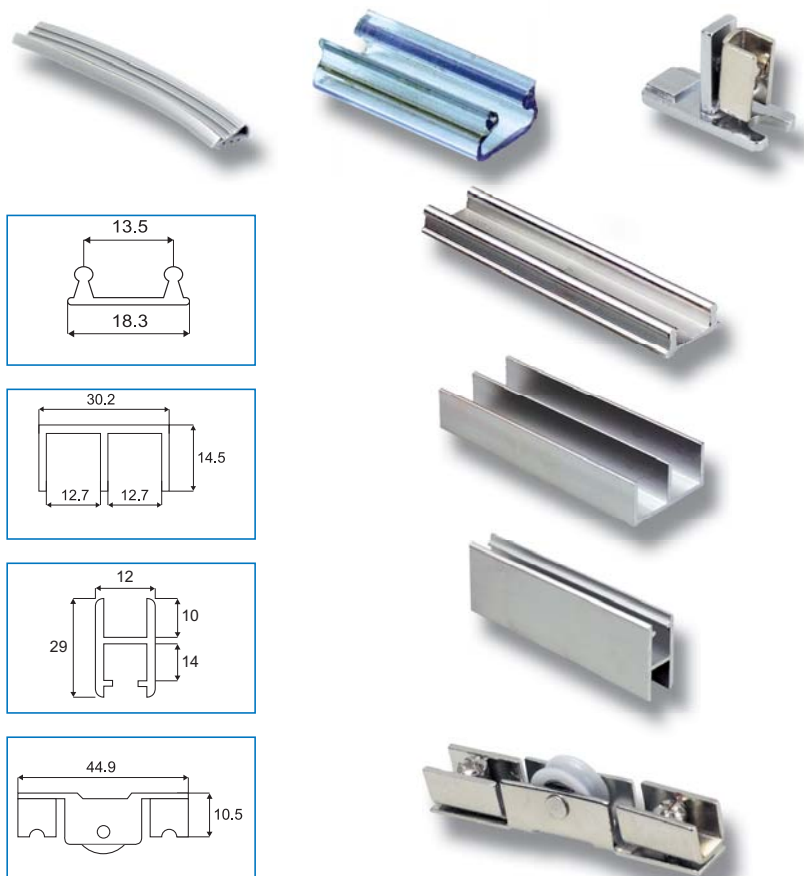
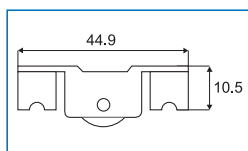


GLASS H-RAIL

Aluminium:
Anodized # 22.26.021
Standard length: 2 metres
For 5 - 6 mm glass thickness

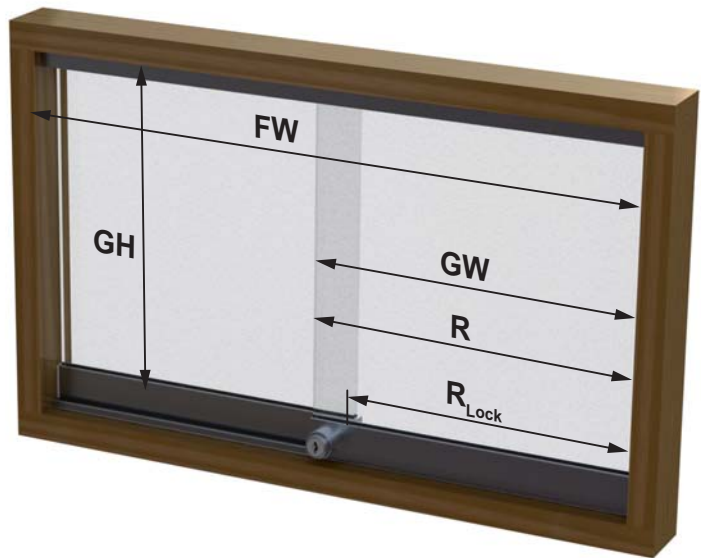


TROLLEY w/Nylon Wheels
Nickel plated # 22.26.041
Load capacity: 3 kg

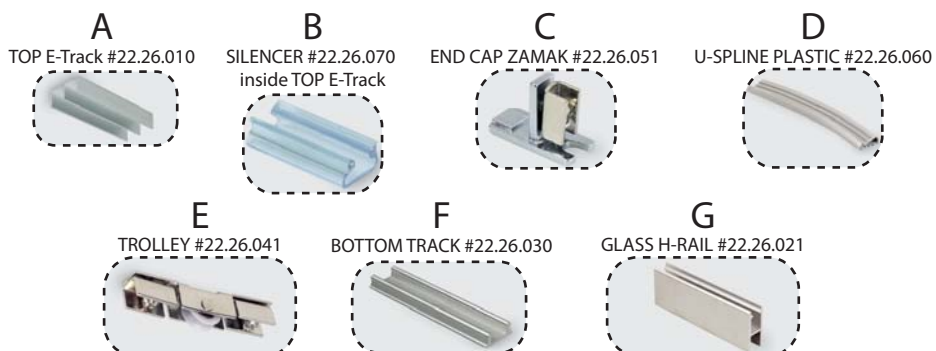
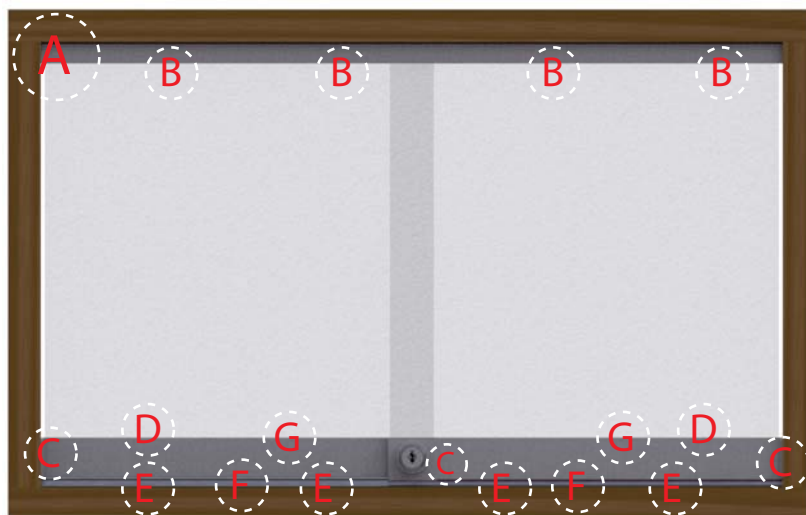
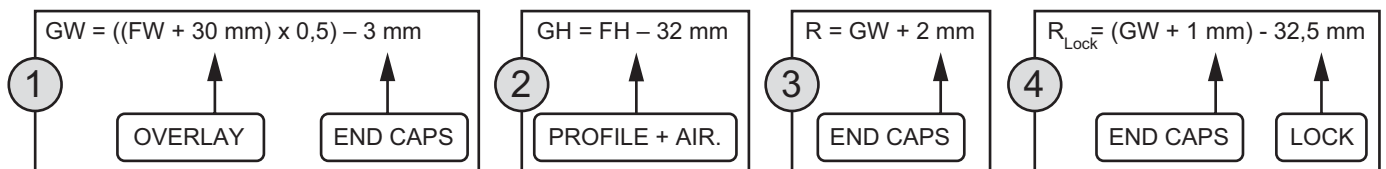


SYSTEM #2010

- FW = Frame width (inside measurement)
- GW = Glass width
- FH = Frame height (inside measurement)
- GH = Glass height
- R = Rail length
- R_{Lock} = Rail length for lock



How to prepare glass door size?



Application:

Double sliding glass doors
Premounted on aluminium frame

Function:

Push & turn cylinder key to lock
& turn key to unlock.
Can be installed into H-rail
on left or right side

Specification:

Zamak 400 key combinations
or key alike
Master Key system available
on request

One set consists of:

- 1 cylinder push lock \varnothing 22 mm
hook pin
- 1 striker
- 2 round SISO metal keys, double
entry
- 1 hex key 2 mm
- 2 grub screws for fastening
onto the H-rail

Lock # 2740 w/striker:

- Alu finish - key to differ # 14.09.440
- Alu finish - key alike # 14.09.441
- Alu finish - w/master key # 14.09.442

Packing:

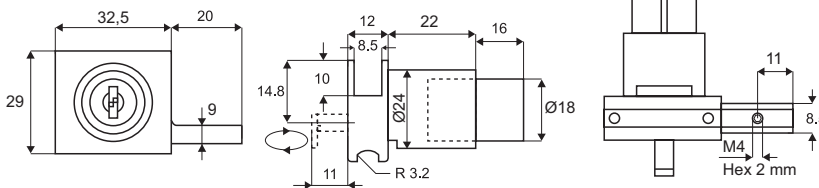
- 150 pcs per export carton
- 15 pcs per box



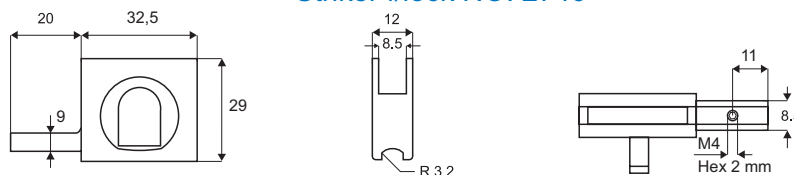
Not for sale in Germany



Lock NO. 2740

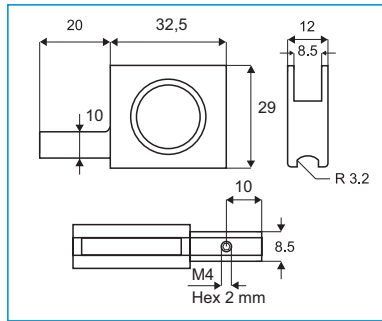


Striker f/lock NO. 2740



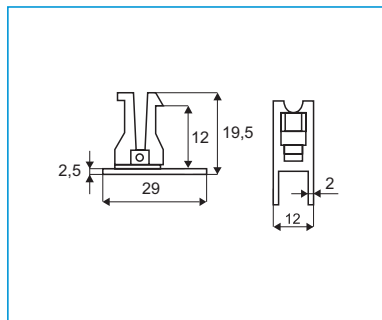
Glass door handle - Plastic

Alu finish # 14.09.445
F/fixing on H-rail w/grub screw



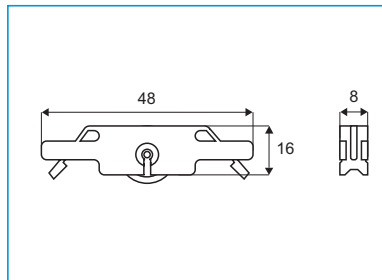
End cap - Plastic

Alu finish # 22.26.053
F/pressing into H-rail



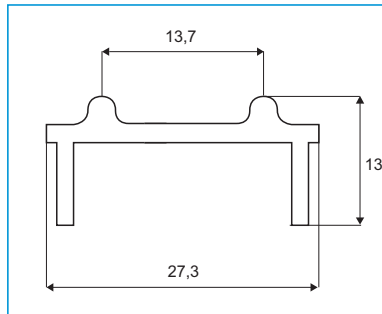
Trolley - w/ball bearing

Zinc plated # 22.26.042
F/fixing on H-rail be use
of tool # 22.26.08
Load capacity: 5 kg pr. trolley



Bottom frame track

Aluminium # 22.26.032
Anodized
2 metres length



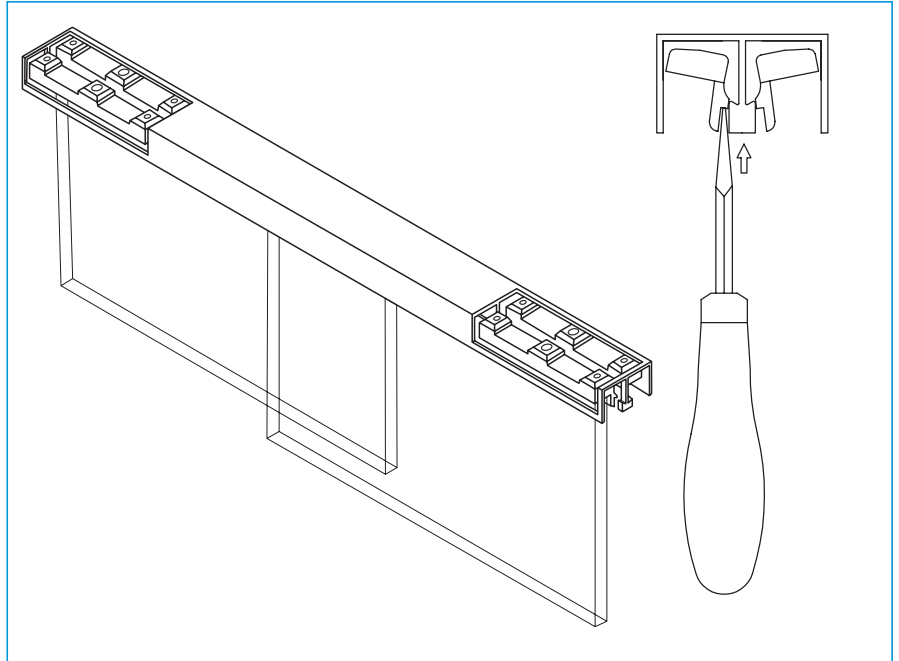
Tool for fixing trolley

Blue # 22.26.080



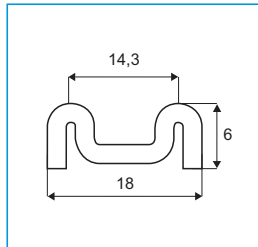
Anti-lift stopper - Plastic

Transparent # 22.26.075
F/pressing into top E-track to prevent lifting of glass



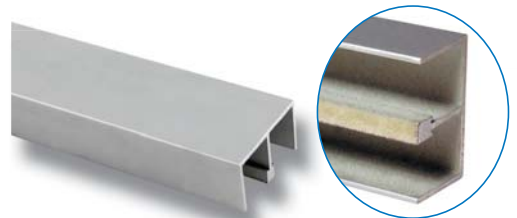
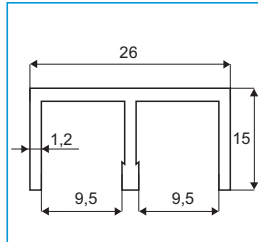
Bottom Track

Aluminium # 22.26.031
Anodized
2 metres length



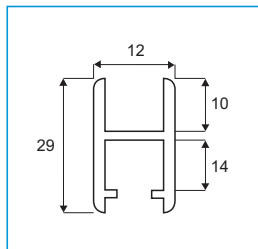
Top E-track felt

Aluminium # 22.26.011
Anodized
2 metres length



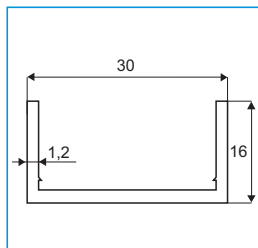
Glass H-rail f/ 5 - 6 mm glass

Aluminium # 22.26.023
Anodized
2 metres length



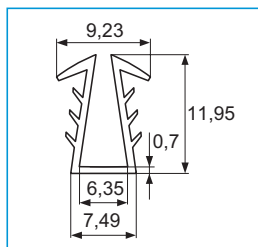
Side & bottom frame track

Aluminium # 22.26.025
Anodized
2 metres length

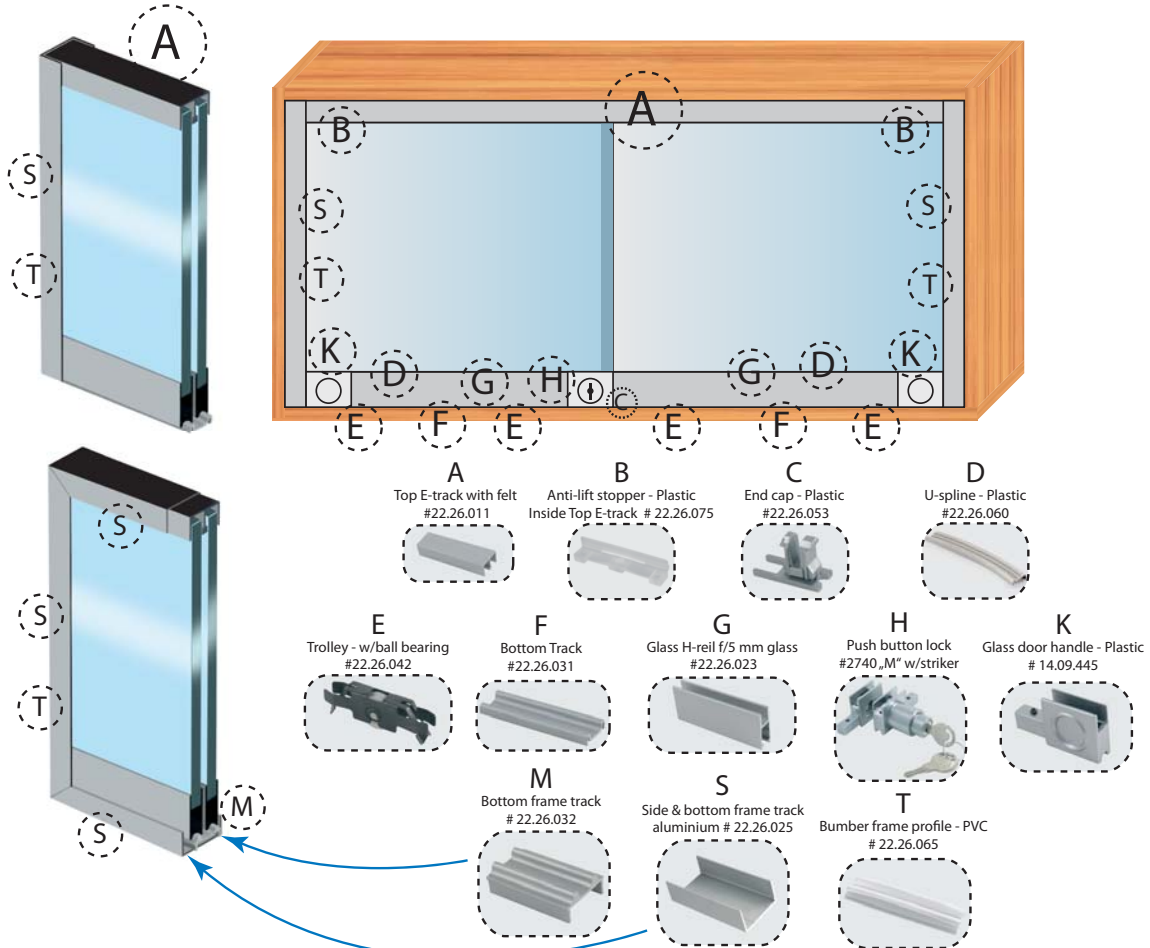
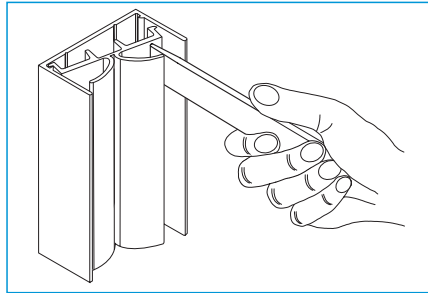


U-SPLINE PLASTIC

Grey color #22.26.060
Rolls of 100 meters



Bumper frame profile - PVC
Transparent # 22.26.065
2 metres length



#2740 MODEL

With frame and high bottom rail (like on picture):

$$GW = ((W - 2,50 \text{ mm}) + 30 \text{ mm}) \times 0,5$$



With bumpers at the sides deduct 10 mm from the GW result.

$$GH = H - 40 \text{ mm}$$



Without frame and with low bottom rail:

$$GW = (W + 30 \text{ mm}) \times 0,5$$



With bumpers at the sides deduct 10 mm from the GW result.

$$GH = H - 32 \text{ mm}$$

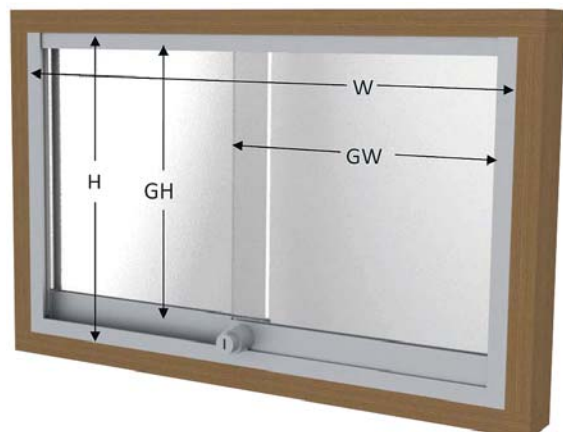


W = Inside width of frame

GW = Glass width

H = Inside height of frame

GH = Glass height



Application:

For locking of glass doors by use of key or turn knob. Suitable for 8-12 mm glass

Specifications:

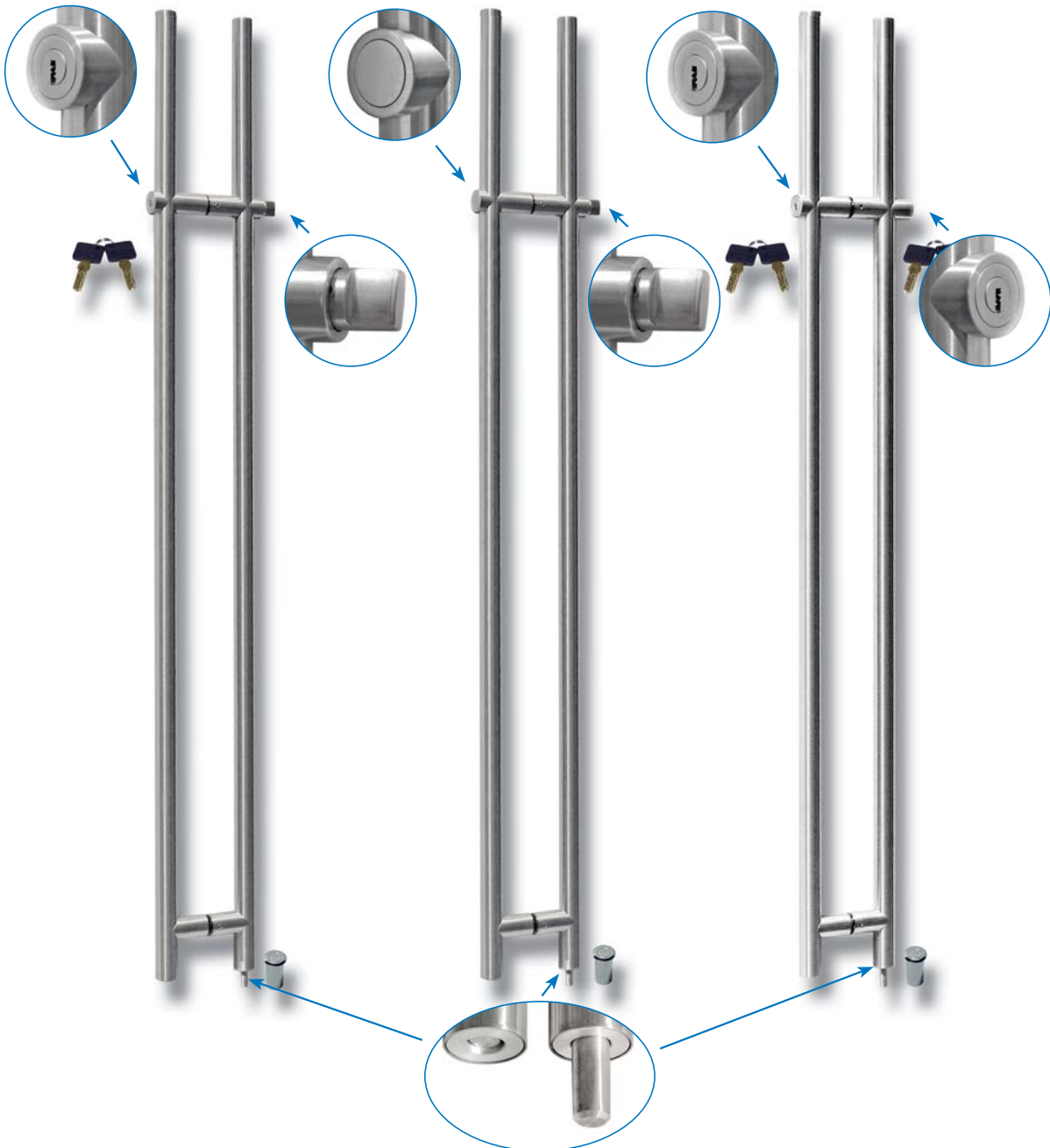
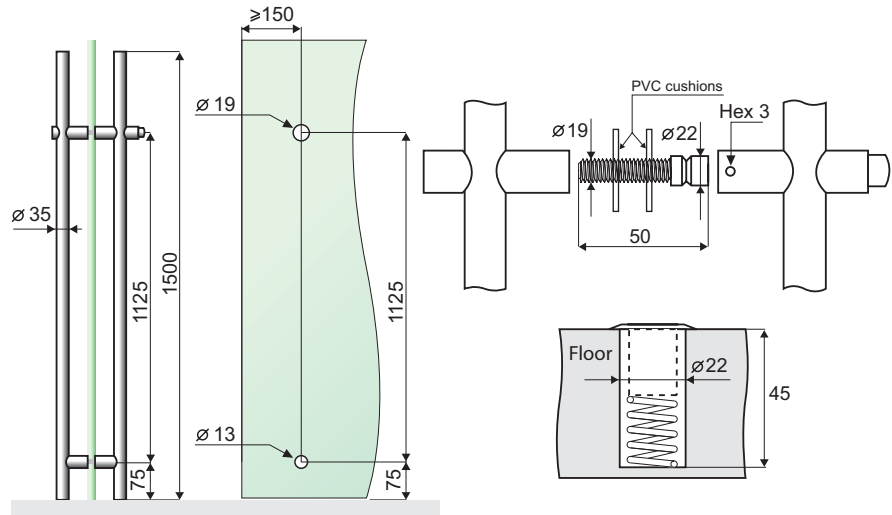
Bar handle \varnothing 35 x 1500 mm
Incl. floor socket w/spring dust cover
Cylinder 5 SISO metal keys or turn knob
5000 KD on cylinder version

Material:

Stainless steel SS-304 - brushed

Item No:

W/cylinder & knob # 14.60.600
W/knob on one side # 14.60.610
W/cylinder on 2 sides # 14.60.615



COMBINATION LOCK W/RUBBER RING

Application:

For metal or wooden doors, drawers, cabinets & boxes. W/Black rubber ring f/soft feeling.

Accessories for one set:

- 1 turn knob \varnothing 38 mm
- 1 cylinder \varnothing 19 x 20 mm
- 1 cam plate c.e.: 37 mm
- 1 hex nut

Specifications:

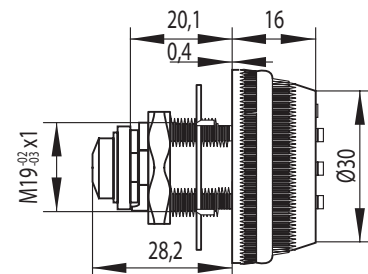
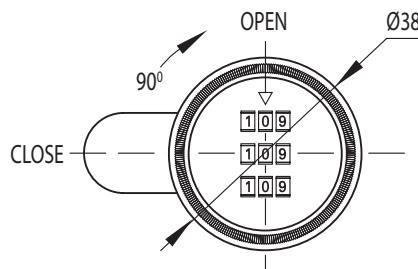
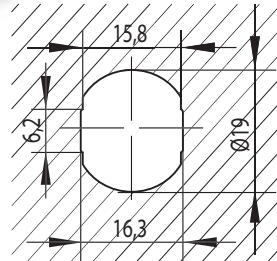
Turn knob & cylinder made of zamak.
Cam and hex nut made of steel, NPL
3 digits from 0 - 9
90° turn. Right hand
Pre-coded 000. Re-coding by pressing metal pin on side of housing in open position.

Packing:

- 20 pcs per box
- 200 pcs per export carton

Item No.:

- Black Anodized: # 14.08.203
- Chrome Plated: # 14.08.204



3-DIGIT COMBINATION LOCK "DOME"

Application:

For metal or wooden doors, drawers, cabinets, boxes etc.

Function:

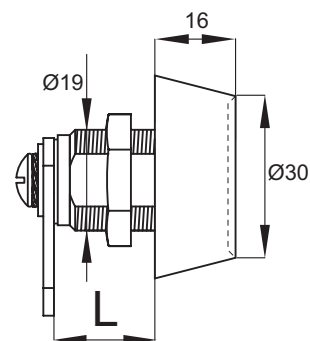
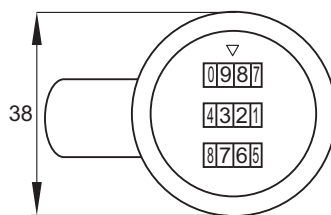
Rotation angle 90°

Specifications:

Zamak body, cylinder & hex nut
Steel cam
Pre-coded 000
Re-coding by pushing split into hole in lock body in open position
1000 combinations
Available in 17,5, 22,5 & 29 mm cylinder lengths

Item No.:

- 17,5 mm # 14.08.200
- 22,5 mm # 14.08.201
- 29 mm # 14.08.202



COMBINATION CAM LOCK NO. 213

Application:

For drawers & cabinets.

Accessories for one set:

1 turn knob \varnothing 44 mm
 1 cylinder \varnothing 19 x 20 mm
 1 cam plate c.e.: 40 mm
 1 hex nut

Specifications:

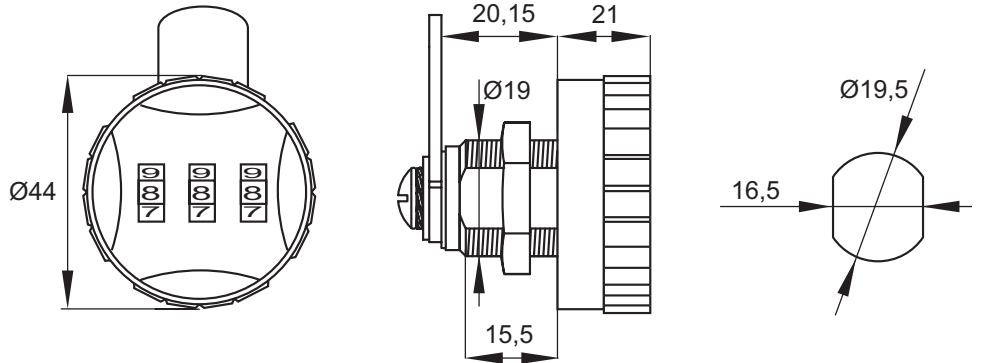
Turn knob made of black/grey plastic
 Cylinder made of zamak
 Cam and hex nut made of steel, NPL
 3 digits from 0 - 9
 90° turn. Right hand
 Pre-coded 000.
 Re-coding by pressing metal pin on side of housing into the housing in open position

Item No.:

Black/grey # 14.08.270

Packing:

20 pcs per box
 200 pcs per export carton



COMBINATION CAM LOCK NO. M215

Application:

For drawers & cabinets

Accessories for one set:

1 turn knob \varnothing 56,6 mm
 1 cylinder \varnothing 19 x 20 mm or \varnothing 19 x 30 mm
 1 cam plate c.e.: 40 mm
 1 hex nut

Specifications:

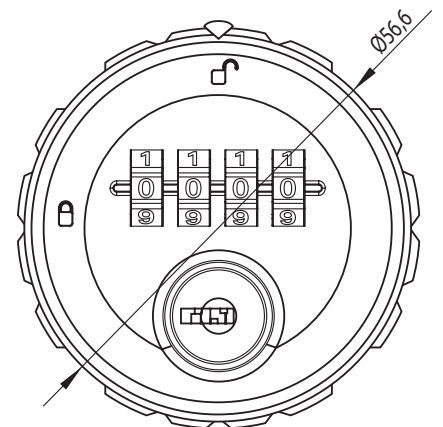
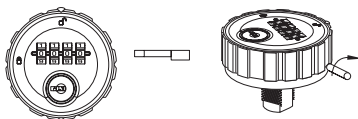
Turn knob made of black/grey plastic.
 Cylinder made of zamak
 Cam and hex nut made of steel, NPL
 4 digits from 0 - 9
 90° turn. Right hand
 Pre-coded 000.
 Re-coding by pressing metal pin on side of housing into the housing in open position.
 W/master key system code A201
 Code finder by use of master key

Packing:

20 pcs per box
 200 pcs per export carton

Item No.:

\varnothing 19 x 20 mm # 14.08.271
 \varnothing 19 x 30 mm # 14.08.272
 Master key # 14.08.251



SETTING YOUR PERSONAL COMBINATION

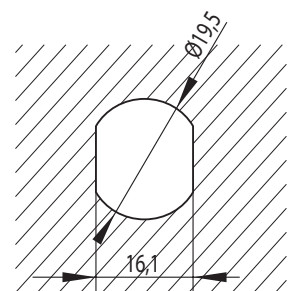
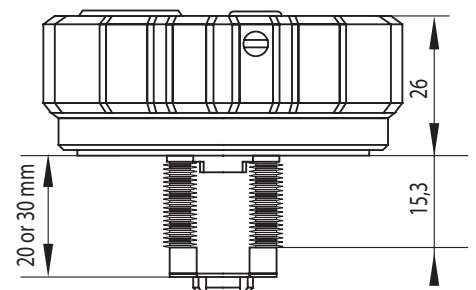
Your new resettable combination Cabinet Lock is preset at 0-0-0-0. (Even though may appear in other numbers)

To reset combination:

- Step 1**
Leave the dials at preset combination (0-0-0-0).
- Step 2**
Turn the lock clockwise 90° to the open position.
- Step 3**
Use a flat head screwdriver, turn reset button 90° clockwise, then you can set the dials to your own combination.
- Step 4**
Turn back the reset button to original position, then the lock is free to use.

Decode function:

Use the master key, turn it 90° clockwise.
 Rotate the dials, they will stop at the preset code.



COMBINATION CAM LOCK NO.212 F/METAL FURNITURE W/MASTER KEY



Application:

For metal drawers & cabinets.
Max 2 mm panel thickness.

Accessories for one set:

- 1 lock body
- 66,2 x 31,2 x 12,7 mm (W/H/D)
- 1 cam plate c.e.: 32 mm.
- 1 spring mounting clip
- 1 master key code # 201 pr. each
- 20 locks

Specifications:

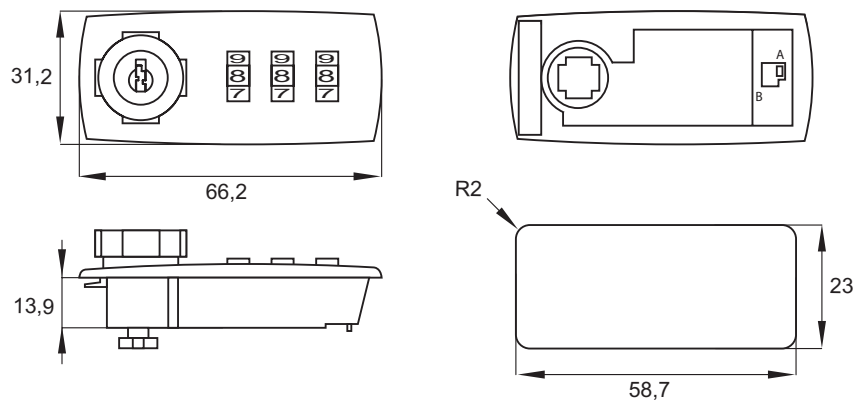
Lock body made of black plastic.
Cylinder inner core made of zamak
Cam, spring clip & key made of steel
3 digits from 0 - 9
90° turn & right hand.
Pre-coded 000.
Re-coding by switching button on back side from A to B & back
W/master key
Installation measurements
58,7 x 23 x R2

Packing:

- 20 pcs per box
- 200 pcs per export carton

Item No.:

Black # 14.08.232



COMBINATION CAM LOCK M237 – “PUBLIC/PRIVATE” W/MASTER KEY & CODE FINDER

Application:

For metal drawers & cabinets

Accessories for one set:

- 1 Lock body 73,8 x 33,3 x 22,6 mm (L/W/D)
- 1 angled cam plate c.e.: 32 mm
- 1 lock washer
- 1 hex nut

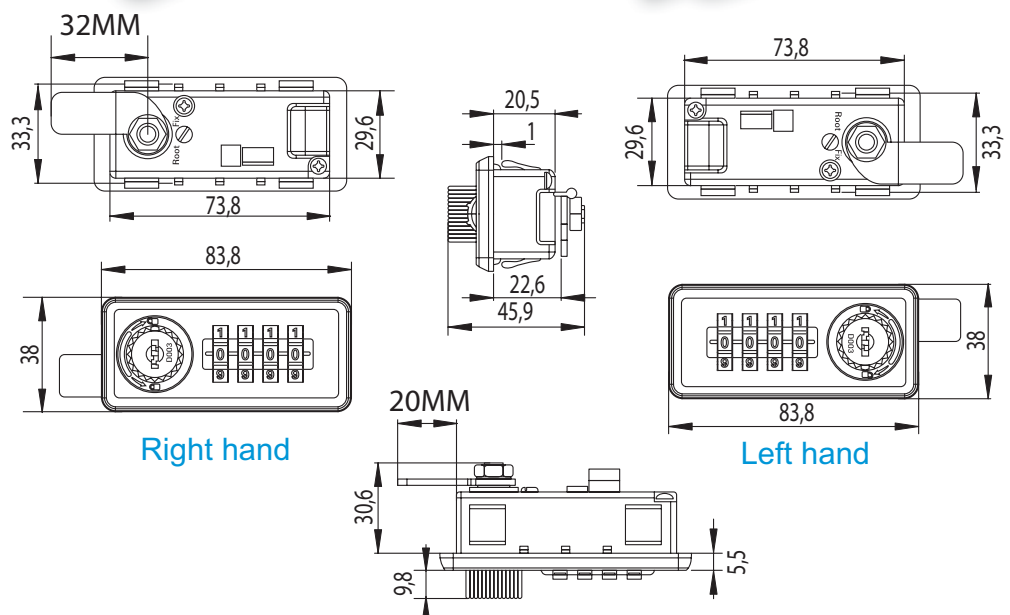
Specifications:

ABS lock housing
Cylinder inner core made of zamak
Cam and hex nut made of steel, NPL
4 digits from 0 - 9
180° turn.
Right or Left hand version
Public or private setting by use of switch button
W/master key system code D001 & code finder
F/1 mm metal sheet

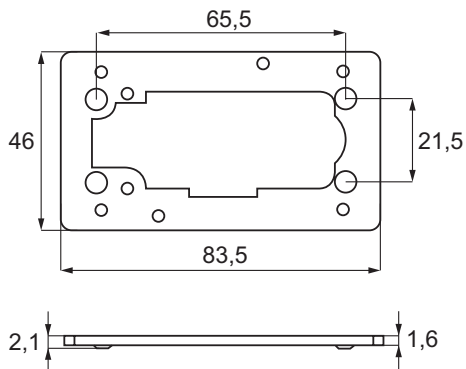
Item No.:

Right Hand: # 14.08.600
Left Hand: # 14.08.601

Master Key D001 # 14.08.252

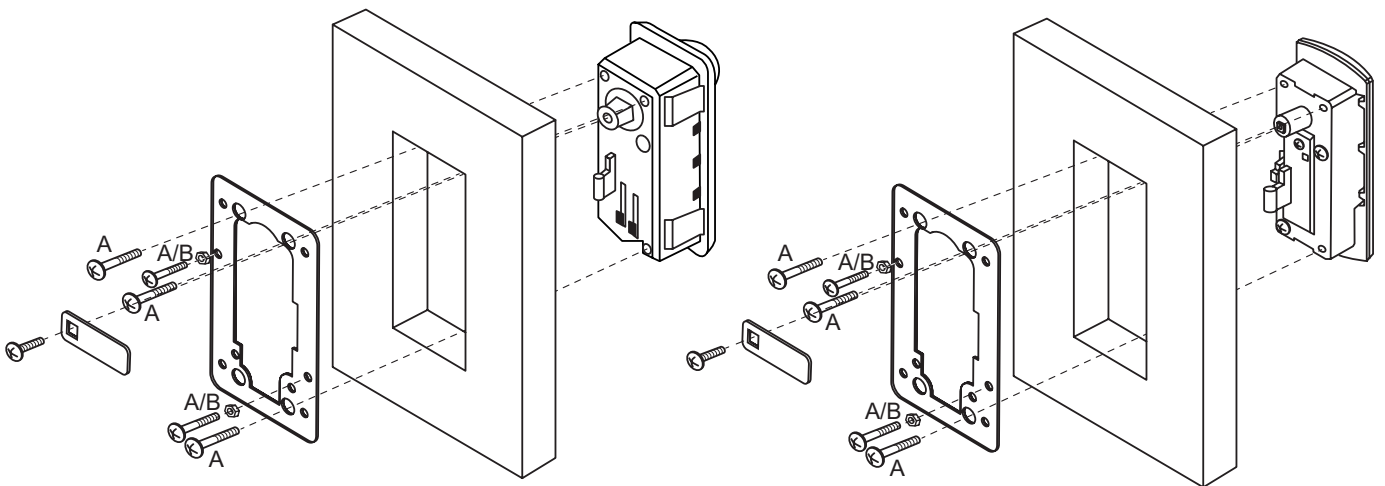
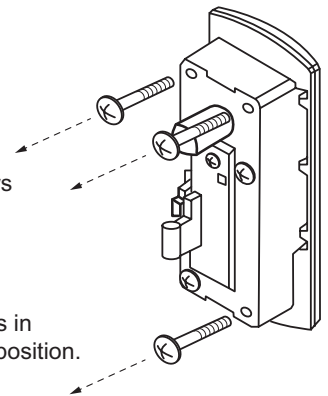


Panel thickness: 10 - 20 mm
Size: 46 x 84 x 2 mm
Material: steel, nickel plated
Item No.: # 14.08.603
 Incl. fixing screws



1. Remove the original screws (3 pcs, screw position shown as below).

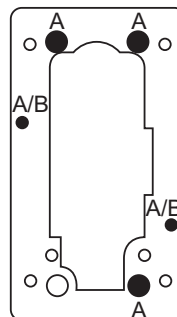
2. Replace with 5 new screws in A position and 2 nuts in B position.



A: screw
5 pcs (M3x15 mm)



B: nut
2 pcs (M3)



Back plate: 1 pcs

COMBINATION CAM LOCK M238 –“PUBLIC/PRIVATE” ZAMAK HOUSING – W/MASTER KEY & CODE FINDER



Application:

For metal drawers & cabinets

Accessories for one set:

- 1 lock body 73,6 x 29,5 x 28,8 mm (L/W/D)
- 1 straight cam plate ce: 44,7 mm
- 1 metal fixing clip

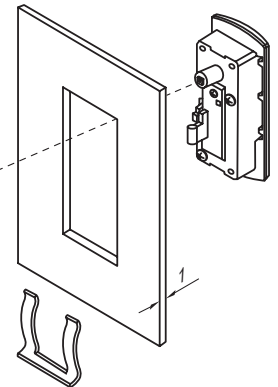
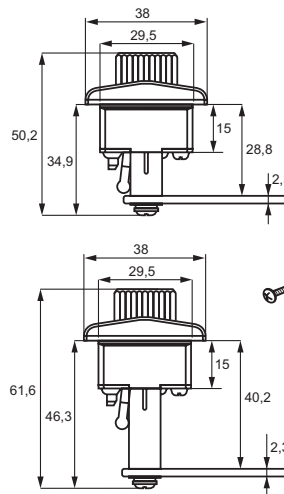
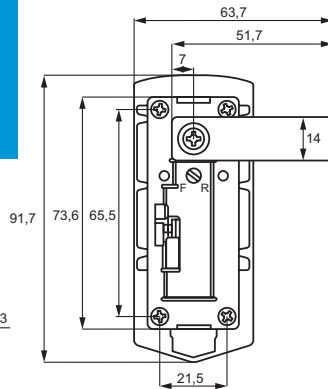
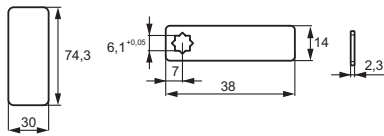
Specifications:

Zamak lock housing – nickel plated
Vertical installation
4 black plastic digits from 0 – 9
180 degree turn
Right hand version (left on request)
Public or private setting by use of switch button
W/master key system code D0001 & code finder.
F/1 mm metal sheet

Item No.:

Right hand: # 14.08.260

Master key D001 # 14.08.252



BACK PLATE F/LOCK M238 F/WOODEN PANELS

Panel thickness:

16 - 35 mm

Size:

46 x 84 x 2 mm

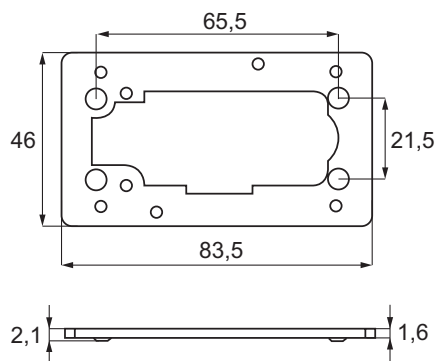
Material:

steel, nickel plated

Item No.

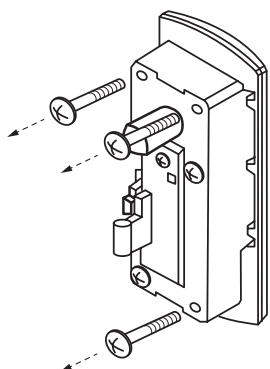
14.08.264

Incl. fixing screws & nuts



Panel thickness: 16 - 35 mm

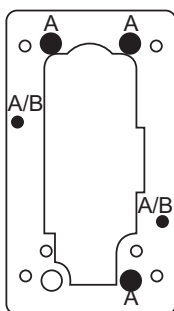
1. Remove the original screws (3 pcs, screw position shown as below).
2. Replace with 5 new screws in A position and 2 nuts in B position.



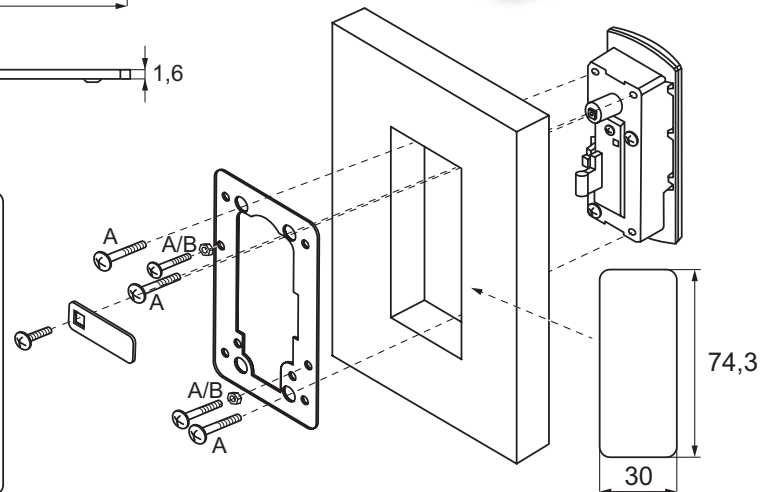
A: screw
5 pcs (M3x38 mm)

Remarks: Please tailor the length of screw according to the panel thickness (16 - 35 mm)

B: nut
2 pcs (M3)



Back plate: 1 pcs



Application:

For drawers and cabinets

Accessories for one set:

- 1 lock body
- 72,8 x 42,8 x 25,3 mm L/W/D
- 1 cam plate c.e: 32 mm (steel)
- 1 spring mounting clip (steel)

Specifications:

- ABS lock housing
- Cylinder inner core made of zamak
- 4 digits fom 0-9
- 90° turn - right or left hand
- master key and code finder

Item No.:

- 90° right hand # 14.08.259-0
- 90° left hand # 14.08.259-9

Application for metal or wooden panel by optional back plates.

Item No.:

- For Metal # 14.08.247
- For Wood # 14.08.248

- Master key C201 # 14.08.250



For metal.
Item No.: # 14.08.247



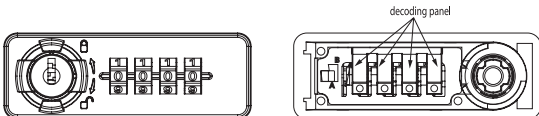
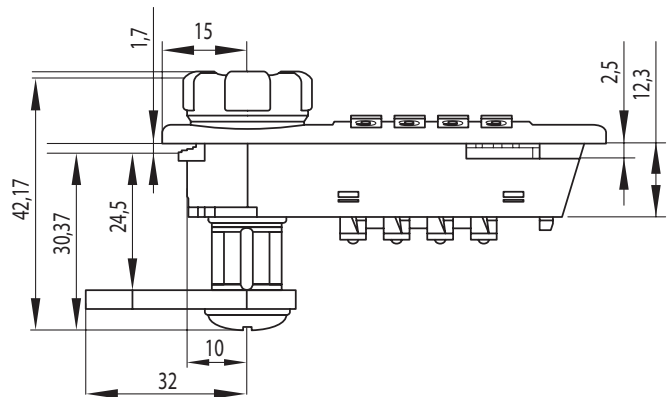
For wood.
Item No.: # 14.08.248

SETTING YOUR PERSONAL COMBINATION

Your new resettable combination Cabinet Lock is preset at 0-0-0-0. (Even though dials may appear in other numbers).

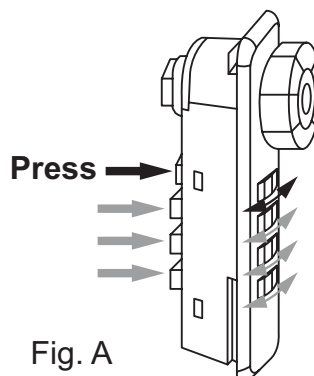
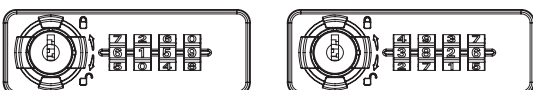
To reset combination:

- Step 1**
Leave the dials at preset combination 0-0-0-0.
- Step 2**
Turn the button clockwise 90° / 180° to the open position.
- Step 3**
Push the lever on the back of lock from A to B position. Set the dials to your own desired combination.
- Step 4**
Push the lever back to A position, your lock is now ready to open at your own personal combination.



How to decode the forgot combination?

Press down the Decoding Panel, keep holding it and rotate the dial till the Decoding Panel sinks or there is a "click" sound (Fig. A). Repeat the same process for all dials, you will get the opening numbers.

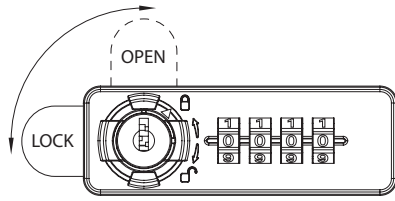


COMBINATION LOCK M224, 4-DIGITS MASTER KEY & CODE FINDER

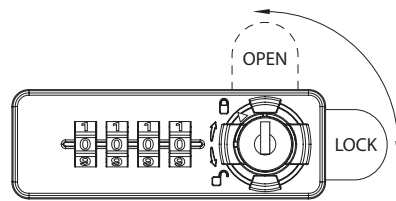
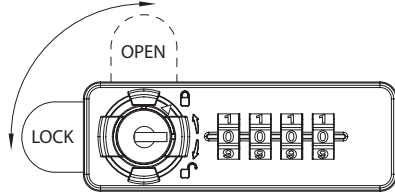


**Item No.: # 14.08.259-0 Combi. Cam Lock M224,
4-Digit, RH, 90°, Master Key+Code**

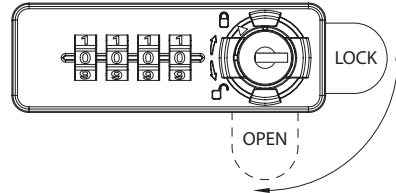
**Item No.: # 14.08.259-9 Combi. Cam Lock M224,
4-Digit, LH, 90°, Master Key+Code**



When Master Key is used

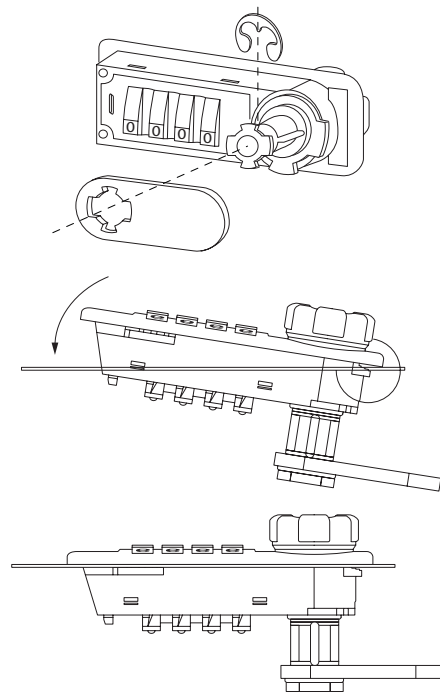
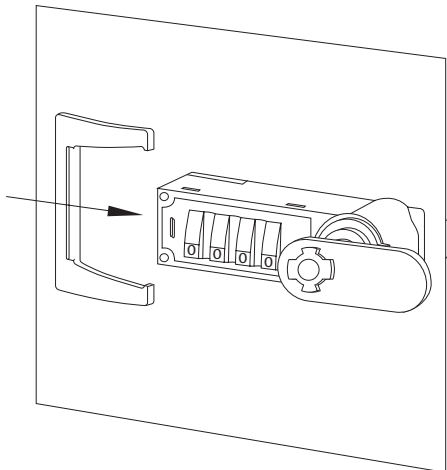


When Master Key is used



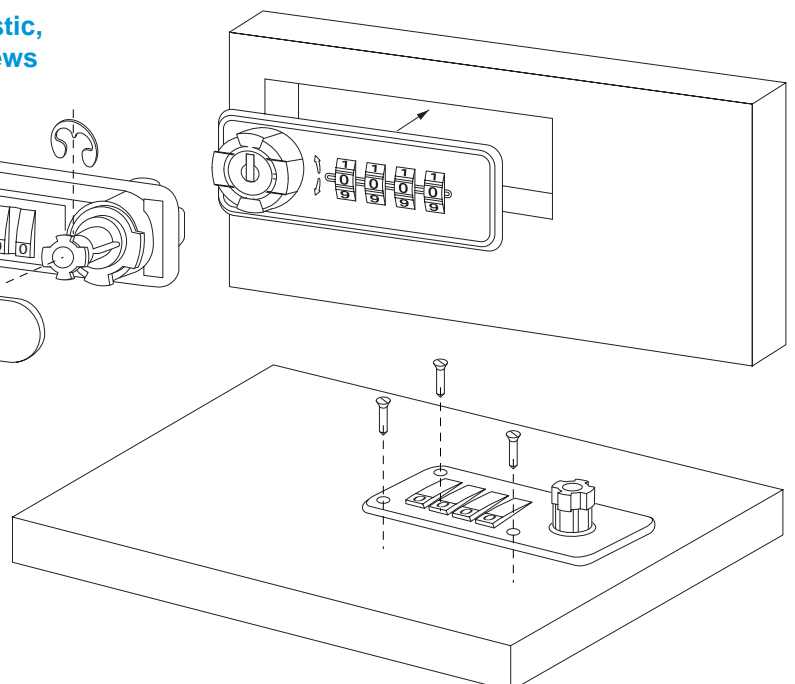
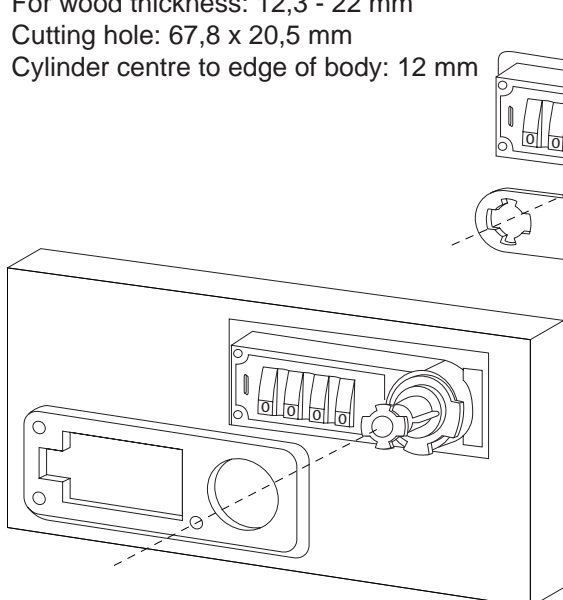
**Item No.: # 14.08.247-0 Back Plate, Black Plastic,
F/Lock # 14.08.259, F/Metal W/3 Screws**

For steel thickness: 0,8 - 1 mm
Cutting hole: 66 x 20,5 mm
Cylinder centre to edge of body: 12 mm



**Item No.: # 14.08.248-0 Back Plate, Black Plastic,
F/Lock # 14.08.259, F/Wood W/3 screws**

For wood thickness: 12,3 - 22 mm
Cutting hole: 67,8 x 20,5 mm
Cylinder centre to edge of body: 12 mm



Application:

For metal drawers & wooden cabinets

Accessories for one set:

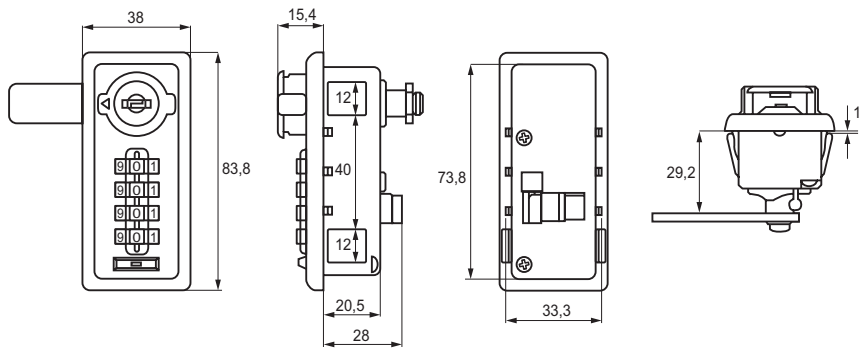
- 1 Lock body 73,8 x 33,3 x 20,5 mm (L/W/D)
- 1 straight cam plate c.e.: 44,7 mm
- 1 lock washer
- 1 hex nut

Specifications:

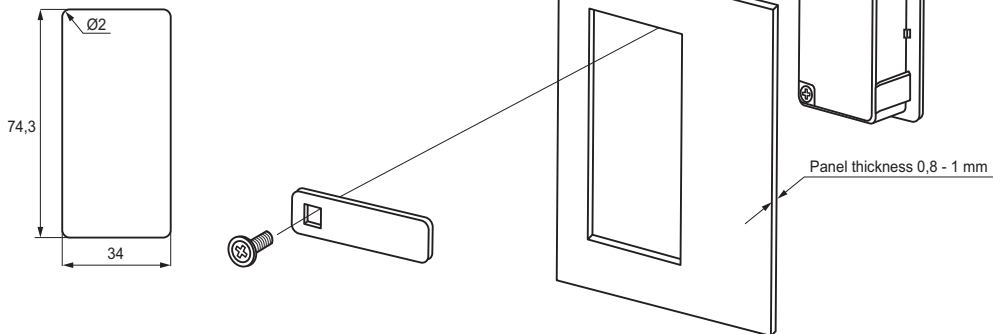
- ABS lock housing
- Cylinder inner core made of zamak
- Cam and hex nut made of steel, NPL
- 4 digits from 0 - 9
- 180° turn
- Right or left hand version
- W/scramble function
- W/master key system code D001 & code finder
- F/ 0,8 to 1 mm metal panel thickness or for 16 - 21 mm wood thickness by use of metal front plate

Item No.:

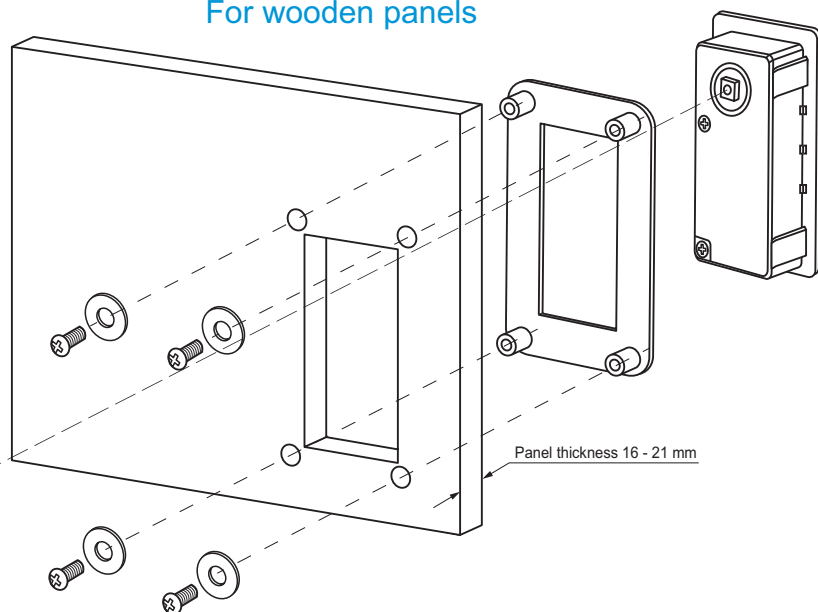
- Right Hand: # 14.08.605
- Left Hand: # 14.08.606
- Master key: # 14.08.252



For metal panels



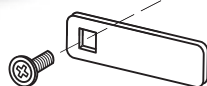
For wooden panels



Application for wooden panels by optional metal front plate.

Item No.

- Metal black # 14.08.610
- White on request



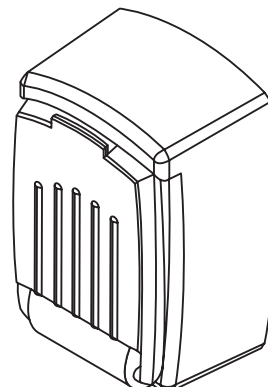
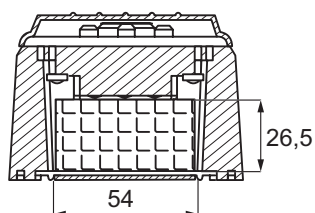
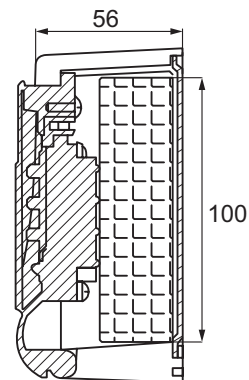
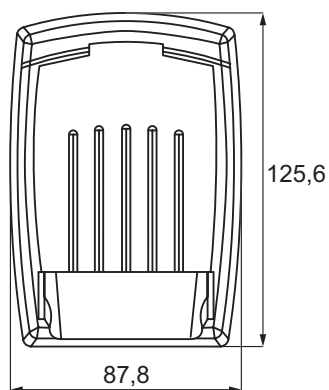
KEY STORAGE BOX

Application:
F/storage of keys
Wall mounting

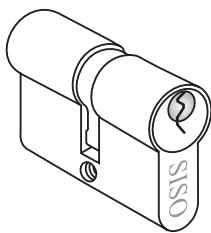
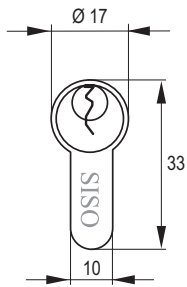
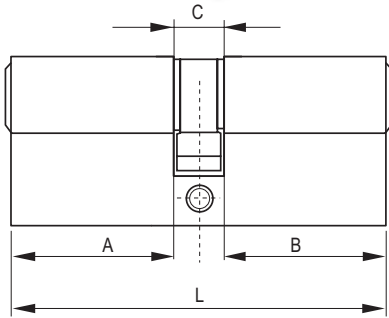
Accessories for one set:
1 lock housing 88 x 126 x 56mm (W/H/D)
4 wall plugs
4 wall screws

Specifications:
Aluminum lock housing – black
Zamak key pad – silver
ABS front cover – black
9 push buttons
Personal key setting

Item No.: # 14.08.155



Euro Profile Cylinders Yale or FAB keyway 1 mounting screw 65 mm and 3 brass keys - 5 pins



Item No.:	L	A	B	C	FINISH
#14.60.037	62	26	26	10	SS-look - Yale keyway
#14.60.038	62	26	26	10	Brass satin - Yale keyway
#14.60.071	64,5	30,2	25	9,3	Brass polished - FAB keyway
#14.60.074	64,5	30,2	25	9,3	SS-look - FAB keyway
#14.60.117	70	25	35	10	Brass polished - FAB keyway
#14.60.118	70	25	35	10	Nickel Plated - FAB keyway
#14.60.115	70	30	30	10	Brass polished - FAB keyway
#14.60.116	70	30	30	10	SS-look - FAB keyway
#14.60.131	75	30	35	10	Brass polished - FAB keyway
#14.60.132	75	30	35	10	SS-look - FAB keyway
#14.60.113	80	25	45	10	SS-look - FAB keyway
#14.60.046	80	25	45	10	Brass satin - Yale keyway
#14.60.114	80	25	45	10	Brass polished - FAB keyway
#14.60.119	80	30	40	10	Brass polished - FAB keyway
#14.60.120	80	30	40	10	SS-look - FAB keyway
#14.60.121	80	35	35	10	Brass polished - FAB keyway
#14.60.122-0	80	35	35	10	SS-look - FAB keyway
#14.60.133	85	30	45	10	Brass polished - FAB keyway
#14.60.122-5	85	35	40	10	Brass polished - FAB keyway
#14.60.125	90	30	50	10	Brass polished - FAB keyway
#14.60.126	90	30	50	10	SS-look - FAB keyway
#14.60.123	90	35	45	10	Brass polished - FAB keyway
#14.60.124	90	35	45	10	Nickel Plated - FAB keyway
#14.60.135	90	40	40	10	Brass polished - FAB keyway
#14.60.136	90	40	40	10	SS-look - FAB keyway
#14.60.127	95	35	50	10	Brass polished - FAB keyway
#14.60.128-0	95	35	50	10	SS-look - FAB keyway
#14.60.128-5	100	35	50	10	Brass polished - FAB keyway
#14.60.129	100	45	45	10	Brass polished - FAB keyway
#14.60.137	105	45	50	10	Brass polished - FAB keyway

Cylinders w/Master key system (Yale keyway)

Item No.:	L	A	B	C	FINISH	SYSTEM
#14.60.039	62	26	26	10	SS-look	#M1
#14.60.040	62	26	26	10	SS-look	#M2
#14.60.043	62	26	26	10	Alu Look	#M3
#14.60.044	62	26	26	10	Alu Look	#M4

Master keys (Yale keyway)

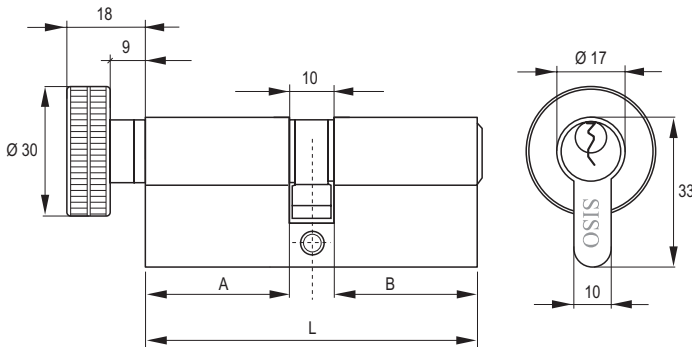
Item No.:	SYSTEM
#14.60.041-0	#M1
#14.60.042-0	#M2
#14.60.041-5	#M3
#14.60.041-6	#M4



SOLID BRASS PROFILE CYLINDERS

Cylinder w/Knob #4 - Yale keyway

Item No.:	L	A	B	Finish
14.60.027	60	25	25	Brass Satin

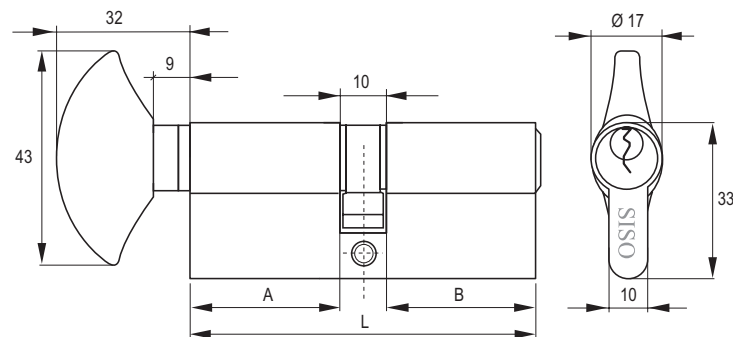


Cylinder w/Knob #2 - Yale keyway With Master Key system #M3 Incl. 3 brass keys with SISO logo

Item No.:	L	A	B	Finish	Master key system
14.60.028	60	25	25	Brass Polished	NO
14.60.032	62	26	26	SS-lock	System #M3
14.60.045	62	26	26	Alu Look	System #M3

Master key:
Item No.:

System #M3 # 14.60.041-5

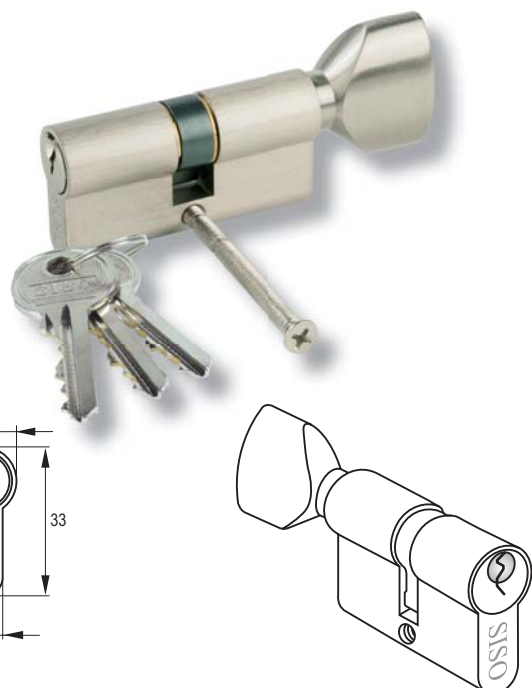
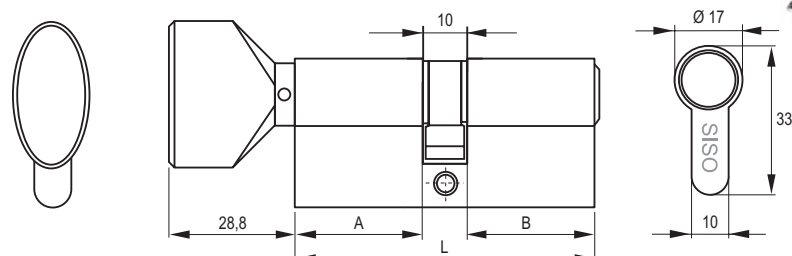


Cylinder w/Knob #3 - Yale keyway With Master Key system #M3 Incl. 3 brass keys with SISO logo

Item No.:	L	A	B	Finish	Master key system
14.60.033	62	26	26	SS-lock	System #M3
14.60.047	62	26	26	Alu Look	System #M3

Master key:
Item No.:

System #M3 # 14.60.041-5



Application:

Lock for interior doors. It can be locked with either a key or a toilet thumb turn. Lock handing can easily be changed by pulling out the latch bolt and turning it 180° clockwise. The lock can be used with a lever handle only or with both a lever handle and a key or a toilet thumb turn.

Material:

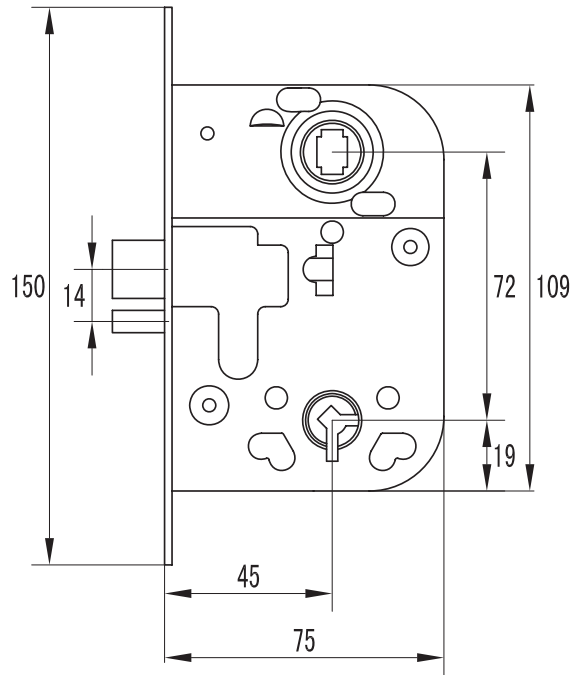
Steel, bronze painted

Specifications:

Lock body 109 x 75 mm
 Front plate 20 x 150 mm
 Backset: 45 mm
 Distance between axes: 72 mm
 Deadbolt - operated by key - 90° turn
 Rotational latch bolt - activated by handle

Item No.:

BRZ Painted - W/Zamak NPL key # 14.60.060



Additional key F/lock #2014:

Item No.: # 14.10.293



CYLINDER LOCK CASE NO.2016 - For interior doors

Application:

Cylinder lock case for interior doors. It can be locked using a key or a thumb turn. In locked position, the deadbolt protrudes 14 mm. Lock handing can easily be changed by pulling out the Latch bolt and turning it 180° clockwise.

Material:

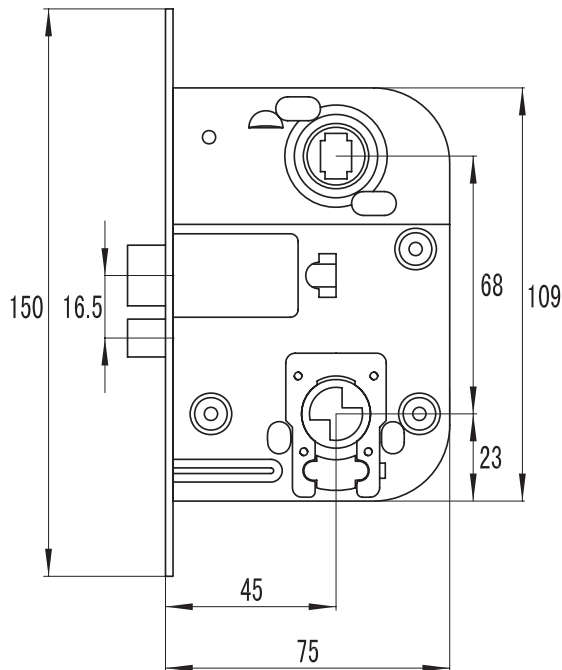
Steel, chrome plated

Specifications:

Lock body 109 x 75 mm
 Front plate 20 x 150 mm
 Backset: 45 mm
 Distance between axes: 68 mm
 Deadbolt – operated by key – 90° turn
 Rotational latch bolt - activated by handle
 F/Scandinavian cylinders

Item No.:

Chrome Plated # 14.60.063

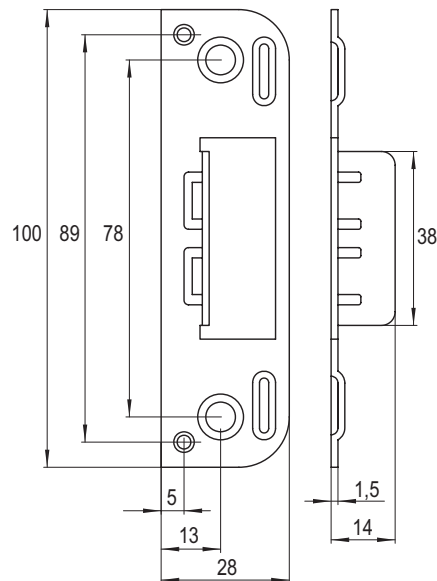


Application:
To be used with lock 2014 & 2016

Material:
Steel

Size:
28 x 100 x 1,5 mm

Item No.:
Bronze Painted # 14.60.066
Chrome Plated # 14.60.067



MORTISE DOOR LOCK NO. 565

Right # 14.60.070-0

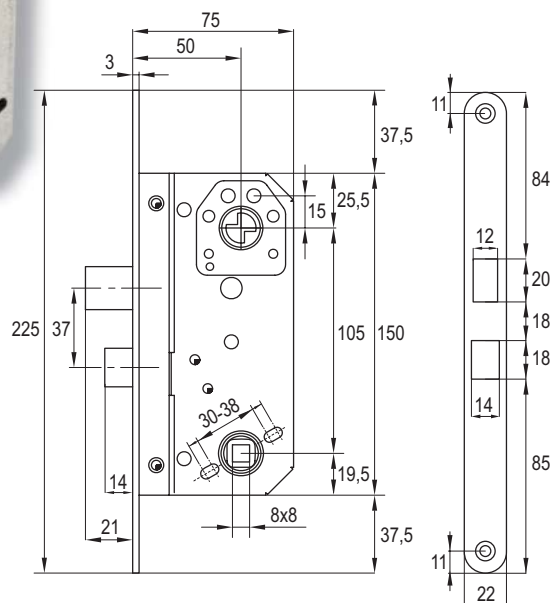
Left # 14.60.070-5

Application:
Lock case for exterior and interior doors, offices, industrial buildings, etc.

Material:
Steel

Specifications:
Lock body 150 x 75 mm – zinc plated
Front plate 22 x 225 mm – SS look
Backset: 50 mm
Distance between axes: 105 mm
Deadbolt – operated by key – 90° turn
W/lever latch – activated by handle
Available in right or left version
F/Scandinavian cylinders

Item No.:
Right # 14.60.070-0
Left # 14.60.070-5



MORTISE DOOR LOCK NO. 8765

Right # 14.60.071-0

Left # 14.60.071-5

Application:

Lock case for exterior and interior doors, offices, industrial buildings, etc.

Material:

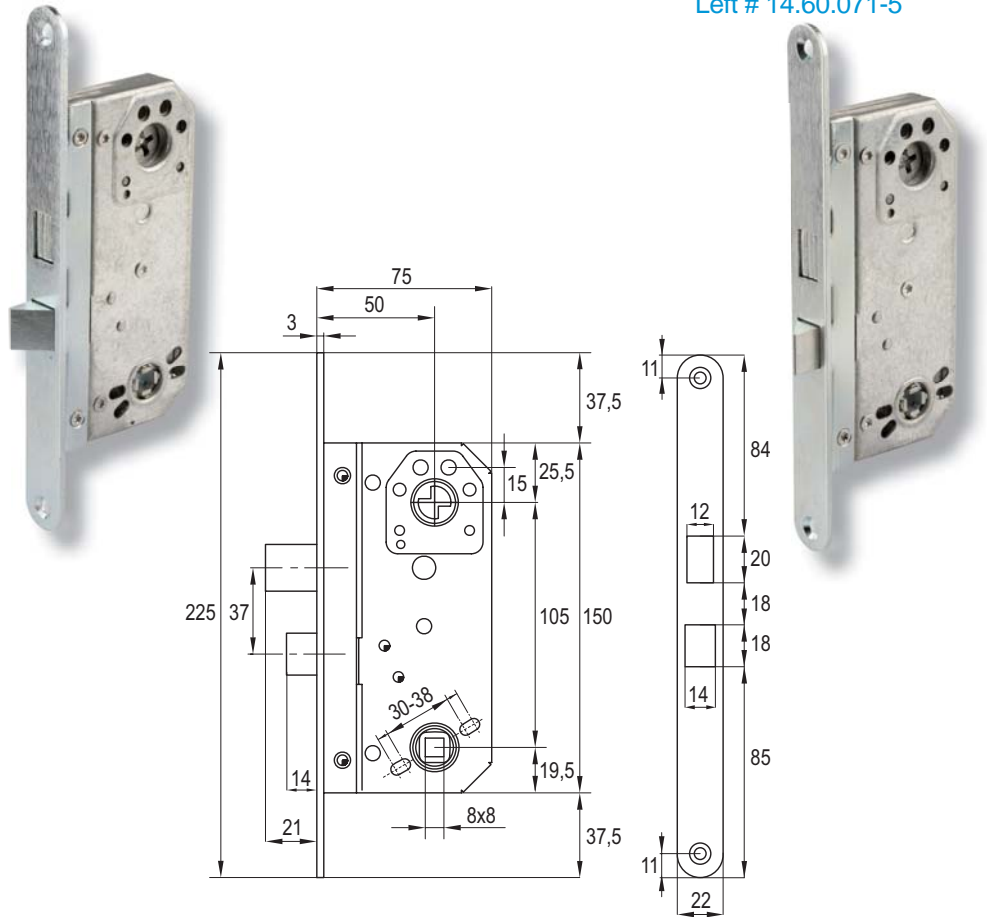
Steel

Specifications:

Lock body 150 x 75 mm - zinc plated
 Front plate 22 x 225 mm - SS look
 Backset: 50 mm
 Distance between axes: 105 mm
 Deadbolt - operated by key - 360° turn
 W/lever latch - activated by handle
 Available in right or left version
 F/Scandinavian cylinders

Item No.:

Right # 14.60.071-0
 Left # 14.60.071-5



MORTISE DOOR LOCK NO. 8788

Application:

Lock case for use as a supplementary lock in entrance doors, gates and swing doors.

Material:

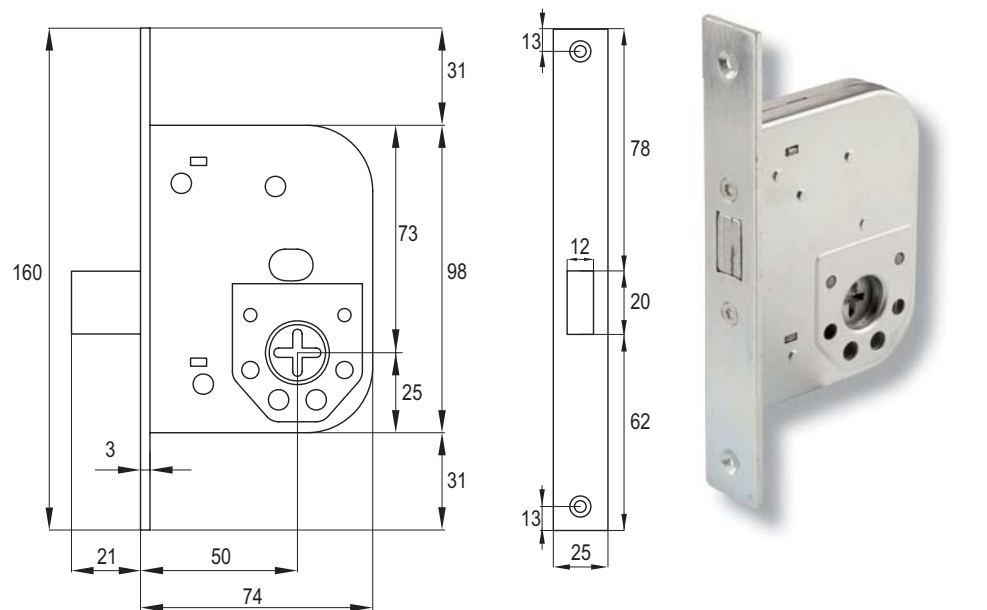
Steel

Specifications:

Lock body 98 x 74 mm - zinc plated
 Front plate 25 x 150 mm - SS look
 Backset: 50 mm
 Deadbolt - operated by key - 360° turn
 F/Scandinavian cylinders

Item No.:

14.60.072



MORTISE DOOR LOCK NO. 9045



Application:

Lock case for exterior and interior doors, offices, industrial buildings, etc.

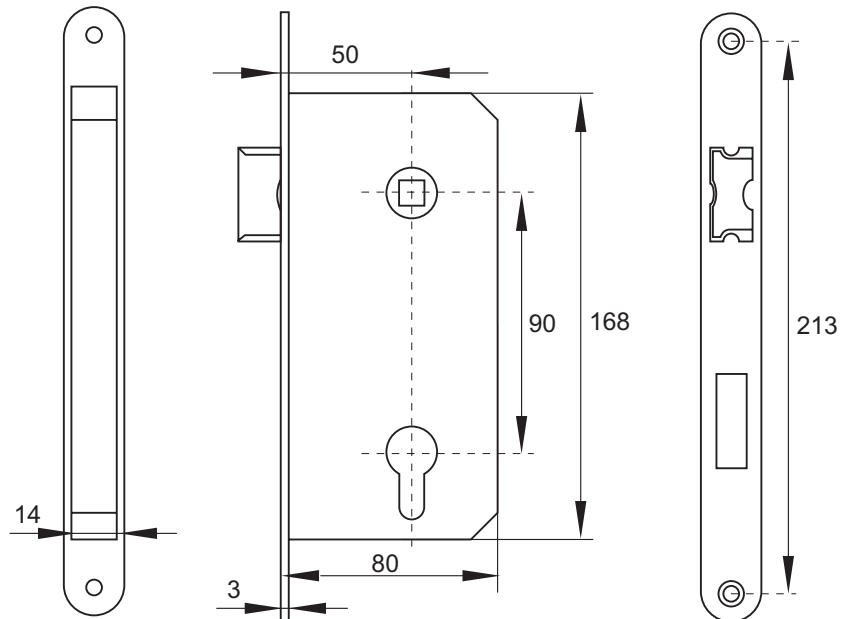
Material:

Steel

Specifications:

Lock body 168 x 80 mm - white lacquered
 Front plate 22 x 240 mm - white lacquered
 Striking plate 24 x 25 x 190 mm - white lacquered
 Backset: 50 mm
 Distance between axes: 90 mm
 Deadbolt - operated by key - 90° turn
 W/lever latch - activated by handle or key
 Rotational latch bolt for left/right hand application
 F/Euro profile cylinders

Item No.: # 14.60.053



MORTISE LOCK NO. 9403

3 keys, screws and striker

20 mm backset - mainly developed for aluminium sliding doors

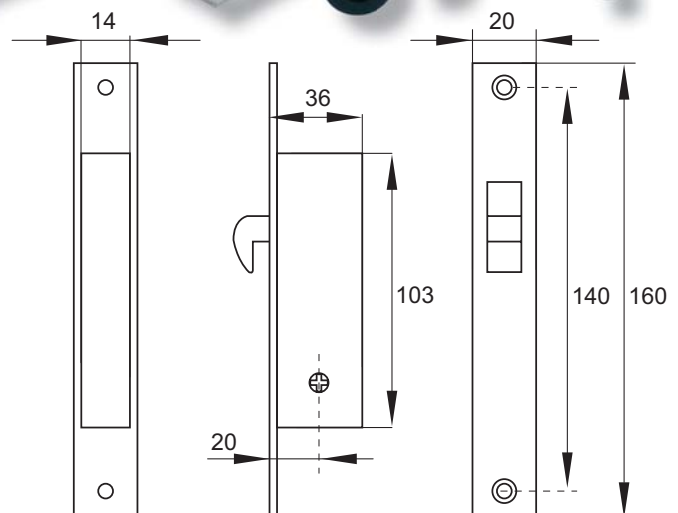
Finish:

Chrome plated

Item No.:

Key alike # 14.60.049

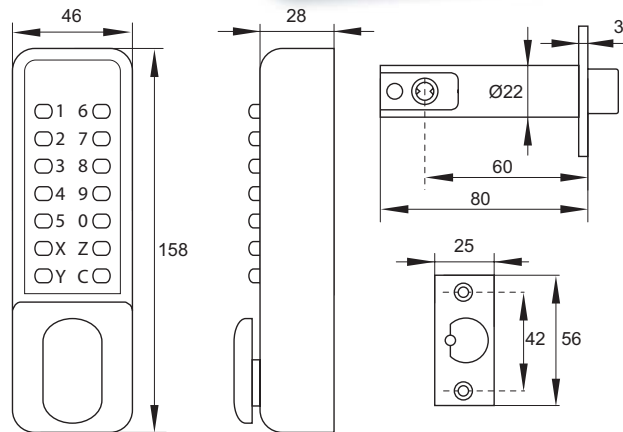
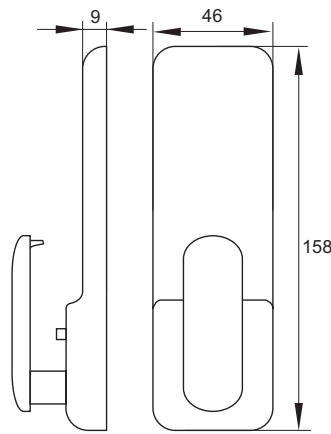
Key different # 14.60.050



Accessories for one set:

- 1 lock case
- 1 back plate
- 2 neoprene seals
- 1 spindle
- 1 latch (60 mm standard)
- 1 striker plate
- 4 wood screws
- 1 latch support post
- 3 fixing bolt

Item No.: # 14.60.500



GUN LOCK W/DIGITS

Function:

To open the lock turn the digits to the correct code. Then push down the red button and pull apart. To lock the lock simply press the 2 parts together and turn the digits

Specifications:

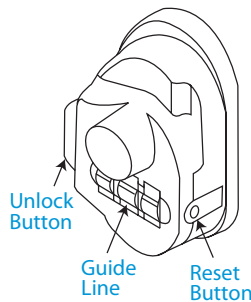
All locks are pre-coded to 0-0-0
Re-coding by pushing the reset button in a pen while digits are in the pre-set code. While reset button is in turn the dials to the desired combination and release the reset button

Material:

Zamak

Item No:

- Black colour # 14.60.400
- Yellow colour # 14.60.401



**ONLY FOR EXTRA SECURITY.
ALWAYS FOLLOW YOUR COUNTRY'S LOCAL LAWS !!**



Application:

For lockers at sport facilities & super markets.

Accessories for one set:

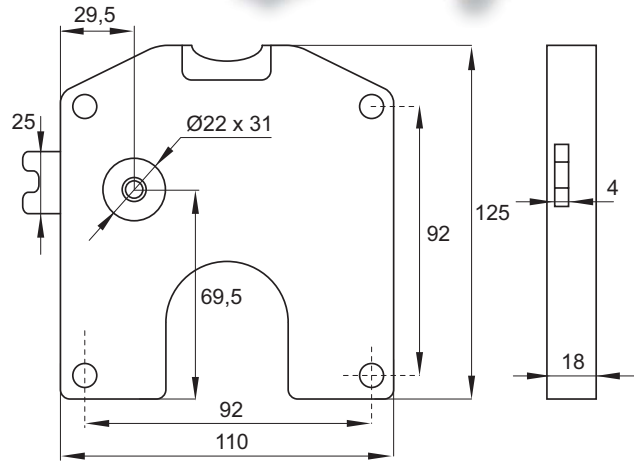
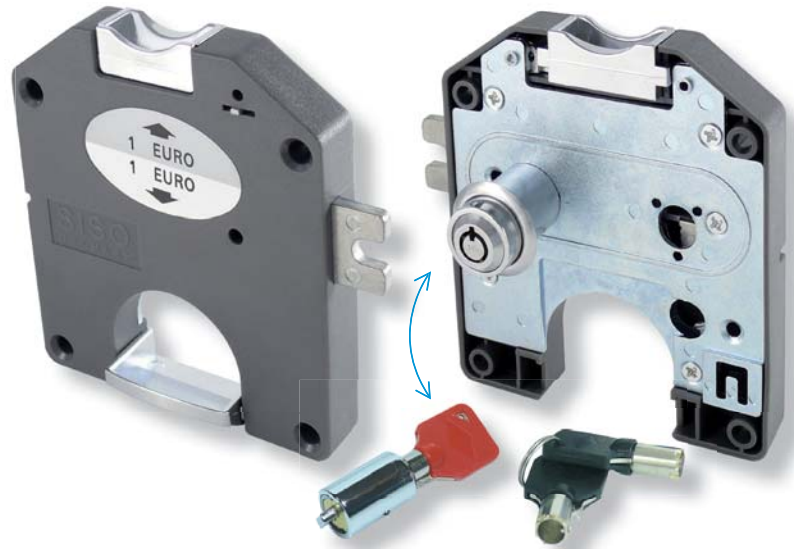
- 1 lock w/cylinder Ø22 x 31 mm
- 1 steel rosette
- 1 coin tray in chrome plated ABS
- 2 SISO steel tubular keys

Specifications:

Black & chrome plated ABS housing
 Nickel plated zamak cylinder.
 Innercore made of brass.
 2000 key combinations
 W/master key & interchangeable system (MIC)
 Left (L) or right hand (R) versions

Item No.:

- | | |
|--------------------|------------------------|
| 100 JPY - Japan | # 14.60.215 (R) |
| 5 HRK - Croatia | # 14.60.242 (R) |
| 1 BGN - Bulgaria | # 14.60.246/245 (R/L) |
| 2 PLN - Poland | # 14.60.247-9/-7 (R/L) |
| 1 EURO - Euro zone | # 14.60.249/250 (R/L) |
| 10 DKK - Denmark | # 14.60.270/271 (R/L) |



Coin deposit lock and coin collector box built together

COIN COLLECTOR BOX

Application:

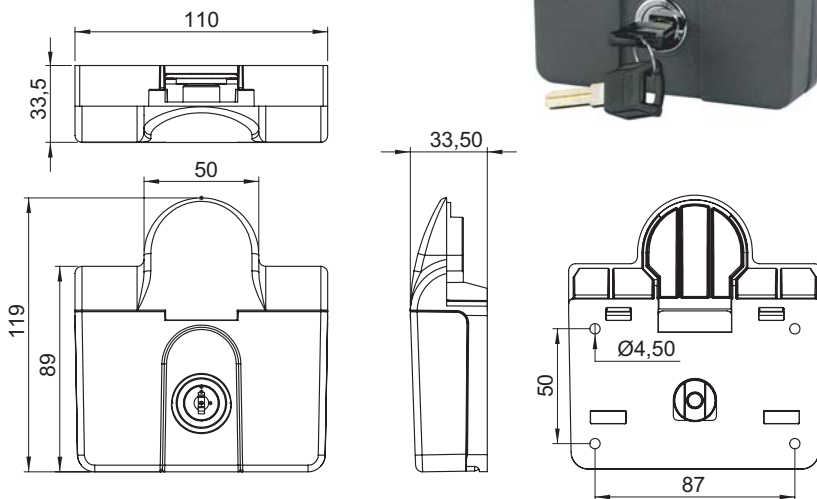
Suitable for SISO coin locks

Specifications:

Black PA housing
 Zamak cam lock - nickel plated
 W/2 SISO steel snake keys
 W/master key & interchangeable system #5 (MIC)
 1000 key combinations

Item No.:

- | | |
|----------------------|-------------|
| Box: | # 14.60.210 |
| Master key: | # 14.60.212 |
| Interchangeable key: | # 14.60.213 |



Application:

Suitable for swim- & sauna bathing spots, golf course, Oil rigs, Enterprises, schools, hotels & super market storage cabinets

Accessories for one set:

- 1 zamak lock panel - 56,1 x 14 x 85,9 mm (W/D/H)
- 1 plastic lock housing - 45 x 29 x 118 mm (W/D/H)
- 1 metal striking plate

Specifications:

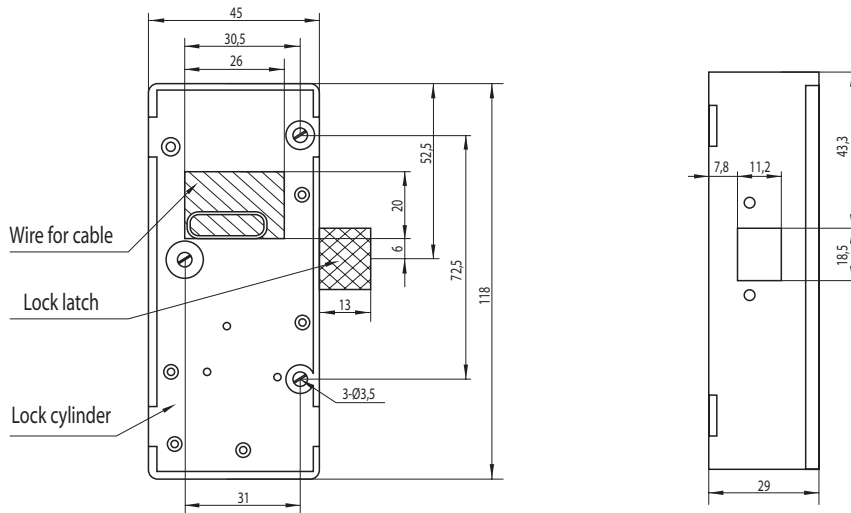
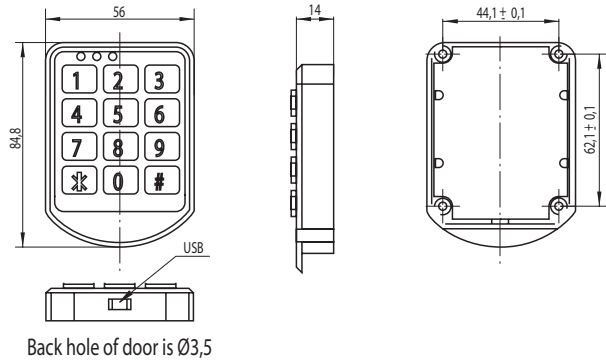
- Master code & user code
- 1 – 10 digits code
- Pre-coded as public version (temporary user code) but can be re-coded to private version (Permanent user code)
- Alarm for low power
- Power supply by DC6V (AAA1.5x4)
- Alkaline batteries
- Battery life time: Opens > 20.000 times, can still open 200 times after low power alarm
- Plug for external power supply
- Working temperature: -15 to +65 Celsius
- Working humidity: <=95 %

Item No.:

- Lock: # 14.60.322
- External battery box: # 14.60.325



EXTERNAL BATTERY BOX



Application:

Suitable for swim- & sauna bathing spots, golf course, Oil rigs, Enterprises, schools, hotels & super market storage cabinets.

Accessories for one set:

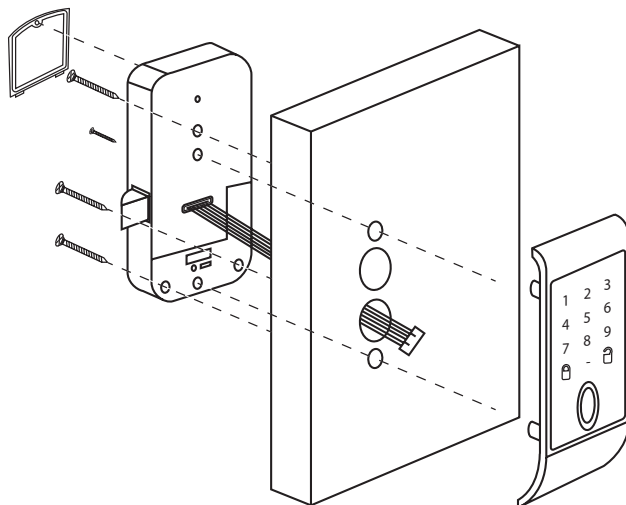
- 1 zamak keypad panel – SS-Look - 44 x 25 x 114 mm (W/D/H)
- 1 stainless steel lock housing – 65 x 21 x 132 mm (W/D/H)
- 1 black plastic spring striker w/push to open function
- 1 black plastic distance spacer for lock housing

Specifications:

- Public type w/temporary user code
- Operated by 1-9 digit code or by wristband w/chip
- Master key function operated by mother wristband
- Power supply by DC6V (AAA1.5x4)
- Alkaline batteries
- Indicator & alarm for low power
- Plug for external power supply
- Working temperature: -15 to +65 Celsius.
- Working humidity: <=95 %

Item No.:

- Lock w/spring striker: # 14.60.329
- Wristband yellow: # 14.60.336-5
- Wristband blue: # 14.60.336-6
- Wristband green: # 14.60.336-7
- Wristband pink: # 14.60.336-8



Application:

Suitable for swim- & sauna bathing spots, golf course, Oil rigs, Enterprises, schools, hotels & super market storage cabinets.

Accessories for one set:

- 1 zamak keypad panel – SS-Look - 44 x 25 x 114 mm (W/D/H)
- 1 stainless steel lock housing – 65 x 21 x 132 mm (W/D/H)
- 1 black plastic spring striker w/push to open function
- 1 black plastic distance spacer for lock housing

Specifications:

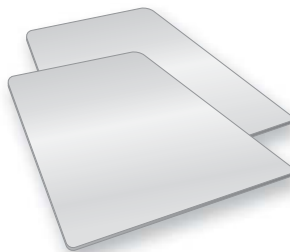
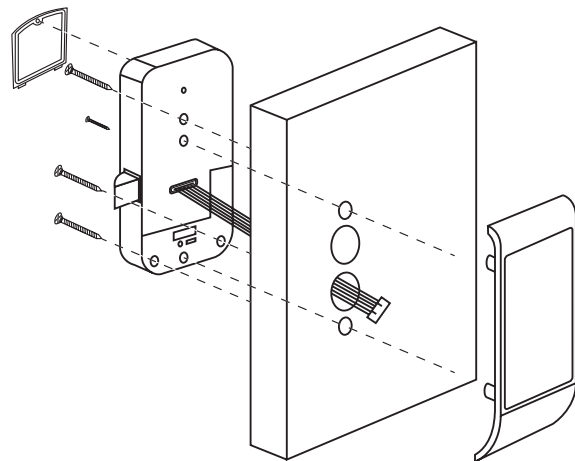
Operated by Mifare wristband or Mifare card.
 Power supply by DC6V (4 pcs. AAA 1.5V alkaline batteries), indicator & alarm for low power, plug for external power supply.
 Working temperature: -15 to +65 Celsius.
 Working humidity: <=95 %

Item No.:

14.60.340 Mifare Slam Lock w/spring striker

Extra Accessories:

- # 14.60.346 Mifare1 Card (13.56Mhz)
- # 14.60.341 Wristband yellow (13.56Mhz)
- # 14.60.342 Wristband green (13.56Mhz)
- # 14.60.343 Wristband red (13.56Mhz)
- # 14.60.344 Wristband orange (13.56Mhz)
- # 14.60.345 Wristband blue (13.56Mhz)

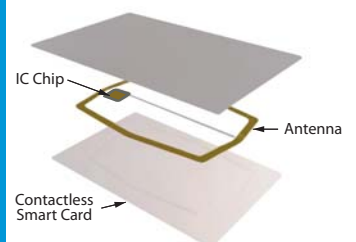


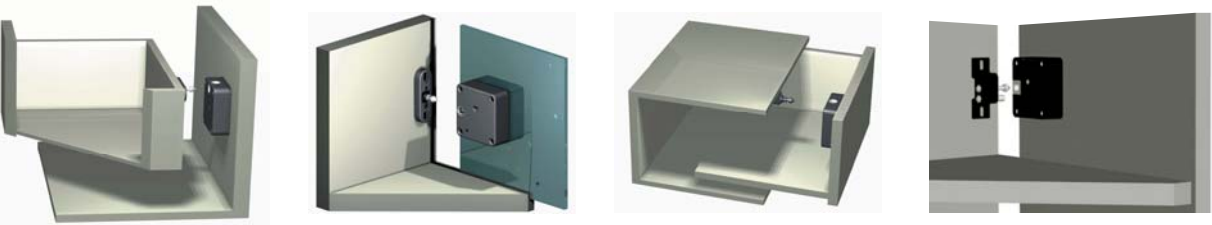
WHAT IS MIFARE?

MIFARE™ is a popular line of smart cards that may be read wirelessly over short distances.

They can store identity information as well as monetary value and are most commonly used as tickets or passes in mass transit systems.

The technology is owned by NXP Semiconductors, a Dutch spin-off of Philips.





Electronic lock for showcases, lockers and sliding doors

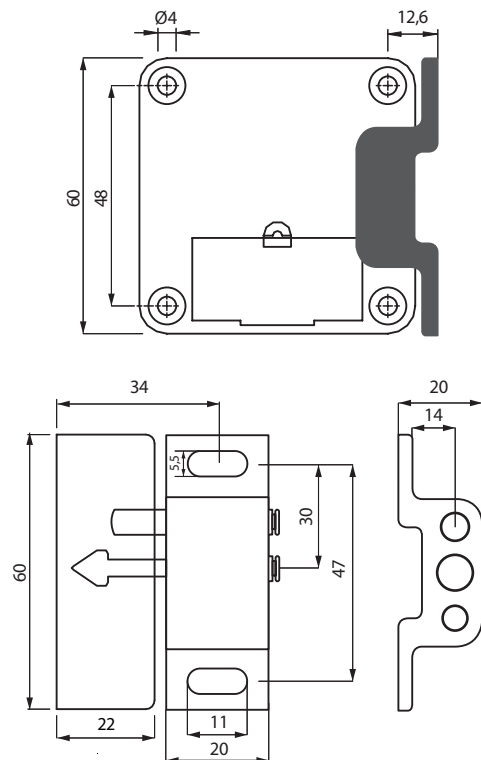
A small intelligent electronic cabinet lock made us the European market leader in this sector. Based on a proxy system, up to 50 keys (e-cards or chips) can be activated for each lock.

This flexible system can be used for:

- Hospitals (each patient has their own key)
- Shops (cabinets, show-cases)
- Household (private areas, child safety)
- Gyms, schools

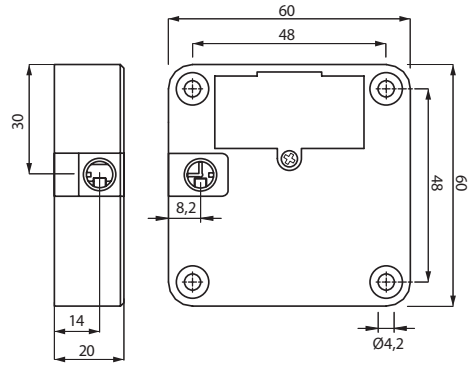
Features

- Reliable function through up to 25 mm of non-conductive material
- Minimum of 30,000 latch opening per battery
- 49 different keys can be programmed per lock
- Simple to install at all times
- Simple programming, no PC, no wire



2 Way Proxy E-Lock
60 x 60 x 20 mm, Black,
No Accessories.

Item No.: 14.60.299



**2 Way Proxy "SLAVE"
E-Lock**

60 x 60 x 20 mm Black,
Incl. Spacer Plate
& 1,5 Meter Cable

Item No.: # 14.60.300



Group function – master/slave

If one lock opens, all connected locks will open. This software update allows the simultaneous opening of locks that are connected via the connecting cable and the spacer plate. The "group mode" can be used for heavy drawers that have two locks or for cabinets that have several drawers. Only one external antenna.

Lock in combination Slave

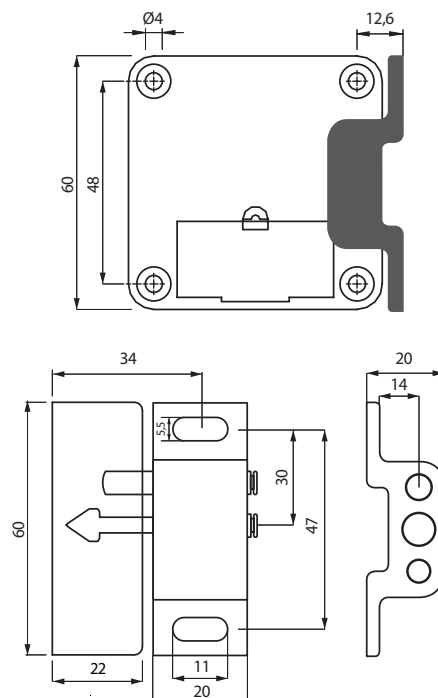
From the outside, this – Slave lock is identical to the standard lock but without a RFID reader. If you connect this lock to a lock (in group mode), this lock will open and close at the same time as the lock.

Using the three plugs, one Slave can be connected to another or additional external power supply can be attached.

A suitable cable is included.

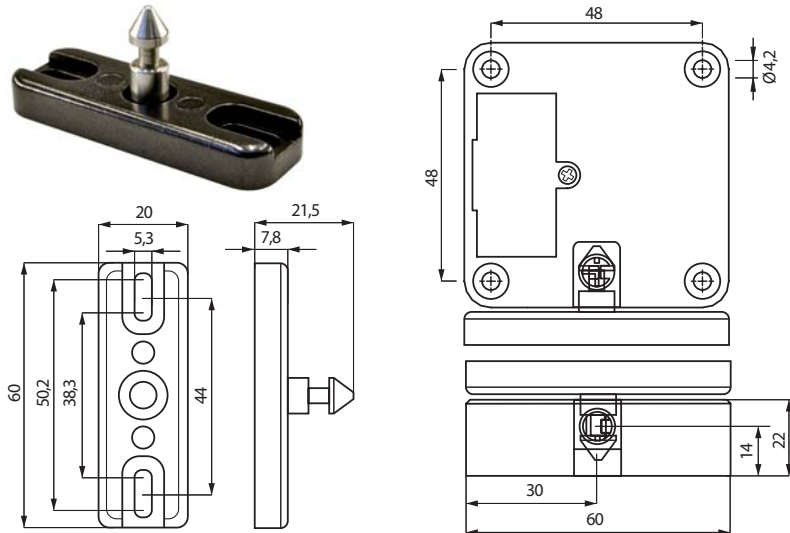
Zamak Spring Catch
w/Push To Open function
& build-in magnet, Black.

Item No.: # 14.60.317



Flat Striker W/Magnet,
For Sliding Doors,
Zamak Body - black

Item No.: # 14.60.309-5



Lithium Battery
3 Volt

Item No.: # 14.60.307



Chip Key - Plastic -
Max 20 mm Range

Item No.: # 14.60.306-0



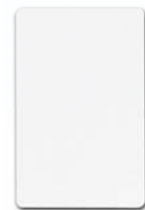
Programming card
- Standard

Item No.: # 14.60.305



High Range Key Card -
Plastic - Max 80 mm Range

Item No.: # 14.60.306-5



Chip Key wristband

Item No.:
Red Color # 14.60.310
Black Color # 14.60.311



Flat external antenna
w/connecting cable.
1,5 Mtr. length

W/Plug for the panel:
Item No.: # 14.60.312-0

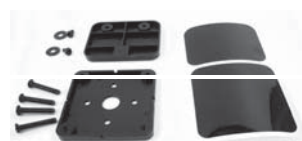
W/Plug for the lock:
Item No.: # 14.60.312-9

Other lengths made to
measure. Max 1,5 Meters



Glass assembly set
to install the lock on glass.
Contains 1 panel for the
lock, 1 panel for locking
device # 14.60.318, black
folio, screws & 2 adhesive
surfaces

Item No.: # 14.60.316



Mini-rod external antenna
w/connecting cable.
1,5 Mtr.
Antenna \varnothing 12 x 40 mm

W/Plug for the panel:
Item No.: # 14.60.313-0

W/Plug for the lock:
Item No.: # 14.60.313-9

Other lengths made to
measure. Max 1,5 Meters.



<p>Converter 3.6V DC connecting cable 1.5 Mtr. length and plug for connecting panel.</p> <p>Item No.: # 14.60.296</p>		<p>Software up-date "Lock Delay" The lock only shuts automatically after a 7 second time delay.</p> <p>Item No.: # 14.60.304</p>
<p>Extension cable extra junction for an additional lock. Length 1.5 Mtr.</p> <p>Item No.: # 14.60.297</p>		<p>Software update "Sound Off" The opening, closing and programming signal is turned off.</p> <p>Item No.: # 14.60.304</p>
<p>Connecting panel two sockets, for external antenna and external electricity supply.</p> <p>Item No.: # 14.60.314</p>		<p>Software up-date "Alarm door open" If door is not closed after 20 seconds an alarm will go off. Works only locking device # 14.60.309</p> <p>Item No.: # 14.60.304</p>
<p>Software update "Group Function" All connected locks open and close together.</p> <p>Item No.: # 14.60.304</p>	<p>Software up-date "Break in alarm" If the locks is opened unauthorized an alarm sounds. Works only locking device # 14.60.309</p> <p>Item No.: # 14.60.304</p>	
<p>Software update "Bolting Function" The lock only shuts when the key has been read in a second time.</p> <p>Item No.: # 14.60.304</p>		

Programming instruction

3010 - Programming card

This programming card can be used to give or delete access as well as to change the software settings. Only one programming card is necessary to operate innumerable locks. In a shopping mall, for example, one programming card can operate 1,000 locks. The programming card can be assigned to a lock by pressing the button on the rear-side and then holding the programming card on the lock in 3 seconds.



Activating the programming card

- Initialising / activating a programming card
1. Press the push-button on the back (1).
 2. The lock will make a ticking sound (signal). Hold the programming card on the lock in 3 seconds of hearing this signal.
 3. Two short ascending tones will confirm that the programming card has been saved successfully.

Initialising a key

- Initialising the key card or chip key
1. Please place the programming card onto the lock.
 2. The lock will make a ticking sound (signal). Place the key card or chip key onto the lock in 3 seconds of hearing this signal.

3. Two short ascending tones will confirm that initialisation was successful.
4. The lock can now be opened using the key card or the chip key.

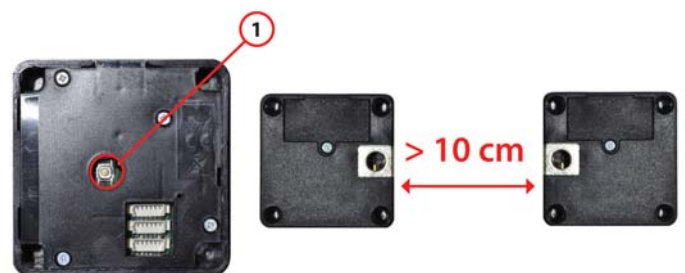
Deleting the key card or chip key

Key access denied

1. Please place the programming card onto the lock.
2. The lock will make a ticking sound (signal). Place the key card or chip key onto the lock in 3 seconds of hearing this signal.
3. Two short ascending tones will confirm that deletion was successful.

Delete all keys

To delete all keys at once, place the programming card onto the lock for several seconds.





- high quality furniture fittings

SISO A/S

Mileparken 11 Phone: (+45) 45 830 900
DK - 2740 Skovlunde (Copenhagen) Fax: (+45) 45 830 444
Denmark E-mail: siso@siso.dk Web: www.siso.dk