

»Passion« GLASS DESIGN



- a thousand opportunities

- high quality furniture fittings



All specifications stated in the catalogue are errors and omissions excepted

SISO A/S tager forbehold for trykfejl samt ændringer i produktets specifikationer.

Für Druckfehler und Irrtümer ist jede Haftung ausgeschlossen. Produktänderungen behalten wir uns vor.



SISO A/S
MILEPARKEN 11
DK - 2740 SKOVLUNDE
(COPENHAGEN)
DENMARK
PHONE: (+45) 45 830 900
FAX: (+45) 45 830 444

DISTRIBUTOR



CONCEPT »SQUARE«	4
GLASS DOOR HINGES (WOOD TO GLASS)	5-6
GLASS DOOR HANDLES	6
GLASS DOOR LOCKS	7-12
GLASS DOOR HINGE, F/NARROW FRAMES	13-14
CONCEPT OVERVIEW	15-16



CONCEPT »BADGE«	17
GLASS DOOR HINGES (WOOD TO GLASS)	18-19
GLASS DOOR HANDLES	20
GLASS DOOR LOCKS	21-25
GLASS DOOR HINGE, F/NARROW FRAMES	26-27
CONCEPT OVERVIEW	28-29



CONCEPT »U-SEE«	30-34
HINGES & LOCKS F/GLASS TO GLASS. UV-GLUEING REQUIRED	



CONCEPT »SEE-ME«	35-37
HINGES F/GLASS TO GLASS & GLASS TO WOOD. DRILLING REQUIRED	



CONCEPT »CONNECT«	38-39
GLASS CONNECTORS	

OVERVIEW	40-41
»U-SEE«, »SEE-ME« & »CONNECT«	

CONCEPT »SQUARE«



- NO DRILLING REQUIRED
- 4 - 6 mm GLASS
- FOR WOOD CABINETS
- HINGES, LOCKS & HANDLES IN SAME MATCHING »SQUARE« DESIGN

GLASS DOOR HINGE »SQUARE«

- high quality furniture fittings

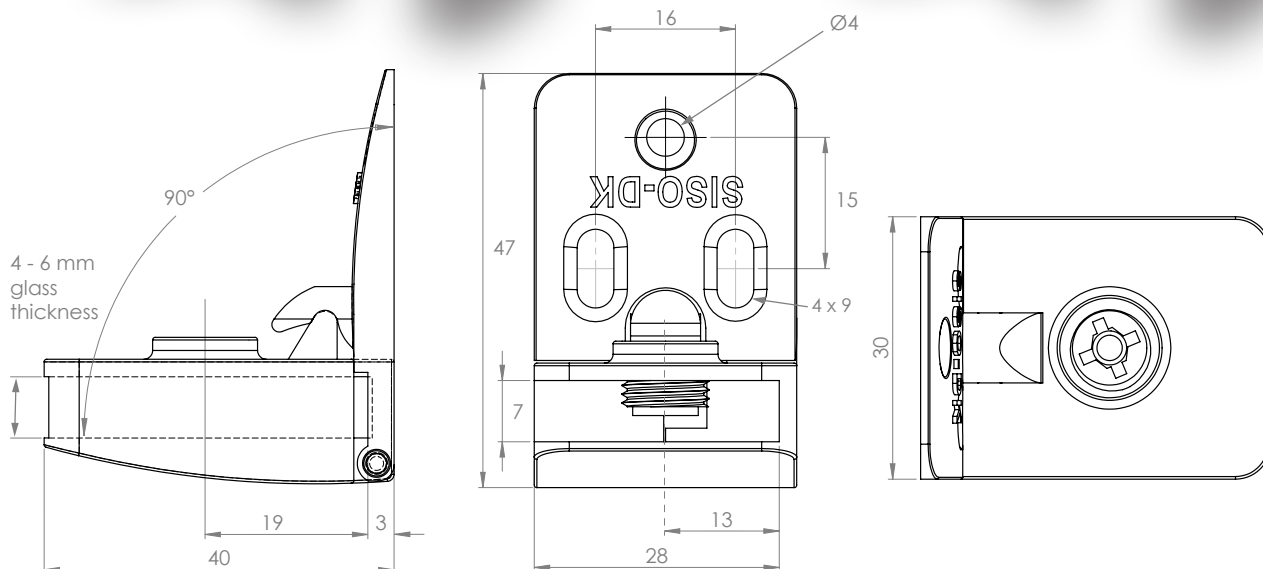


TOP & BOTTOM HINGE »SQUARE«

F/Wood/Glass. F/Inset doors. W/Catch function.

Material: Zamak
 Size: 47 x 30 x 40 mm (D/H/L)
 Glass thickness: 4 – 6 mm
 Max door size: 1000 x 400 mm (H/W)
 Opening: 90 or 180 DG

Item No.:
 Chrome Plated # 15.06.210
 Alu finish # 15.06.211
 Black Anodized # 15.06.212



CENTRE HINGE »SQUARE«

F/Wood/Glass. F/Inset doors. W/Catch function.

Material: Zamak
 Size: 47 x 30 x 40 mm (D/H/L)
 Glass thickness: 4 – 6 mm
 Max door size: 1000 x 400 mm (H/W)
 Opening: 90 or 180 DG

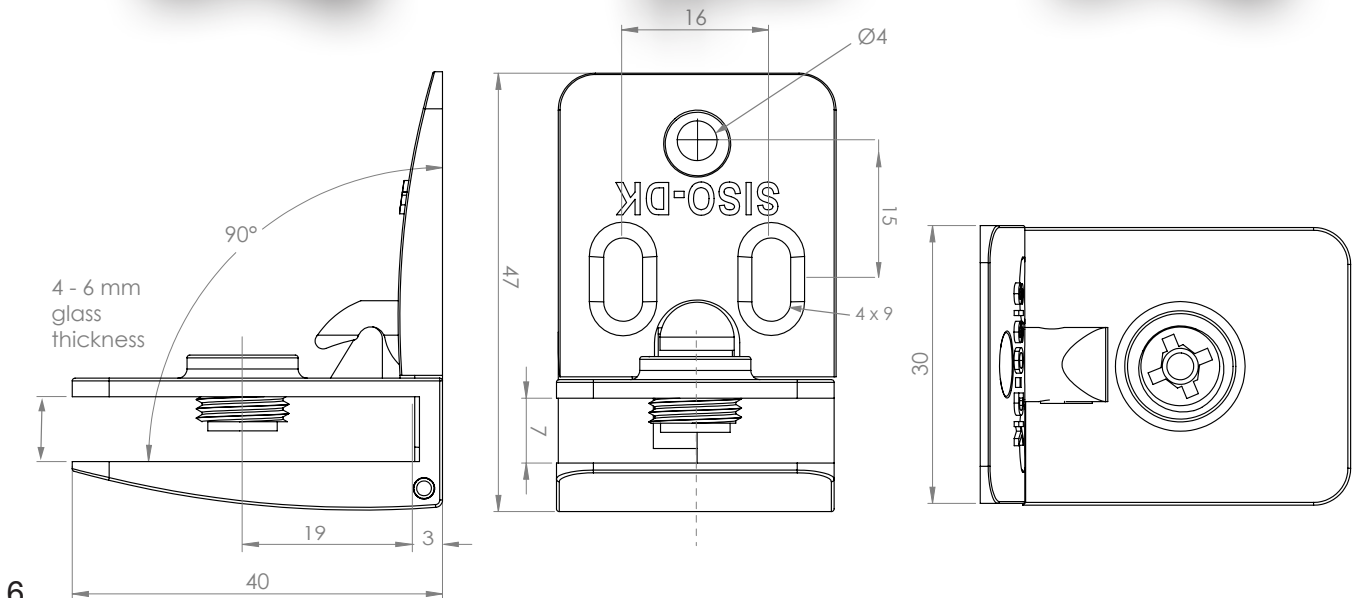
Item No.:
 Chrome Plated # 15.06.230/255 (R/L)
 Alu finish # 15.06.231/256 (R/L)
 Black Anodized # 15.06.232/257 (R/L)



Right

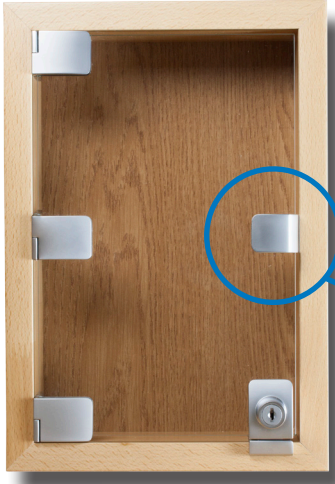


Left



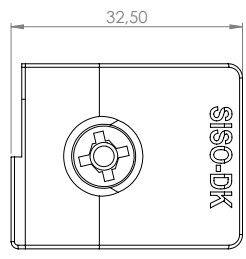
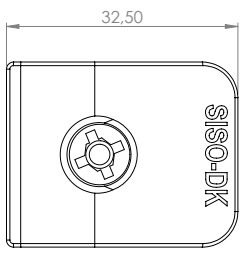
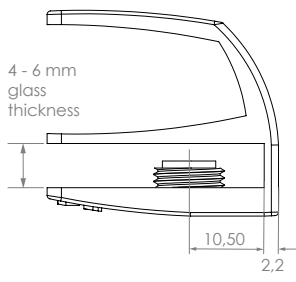
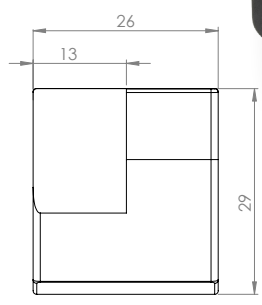
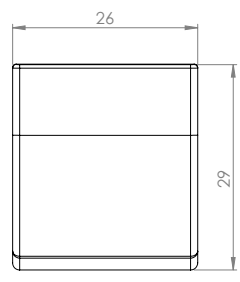
SINGLE & DOUBLE GLASS DOOR HANDLE »SQUARE«

- high quality furniture fittings



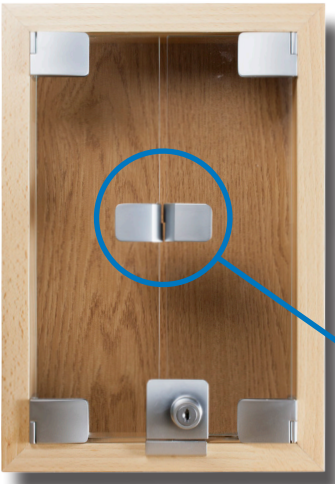
SINGLE DOOR HANDLE »SQUARE«

Material:	Zamak
Size:	26 x 34 mm
Glass thickness:	4 – 6 mm
Item No.:	
Chrome Plated	# 17.40.060
Alu finish	# 17.40.061
Black Anodized	# 17.40.062



Single

Double



DOUBLE DOOR HANDLE »SQUARE«

W/Side-wall cut to minimize the gab between the glass doors.	
Material:	Zamak
Size:	26 x 34 mm
Glass thickness:	4 – 6 mm
Item No.:	
Chrome Plated	# 17.40.080
Alu finish	# 17.40.081
Black Anodized	# 17.40.082



GLASS DOOR LOCK »SQUARE« F/SINGLE DOOR

GLASS DOOR LOCK »SQUARE« F/SINGLE DOOR

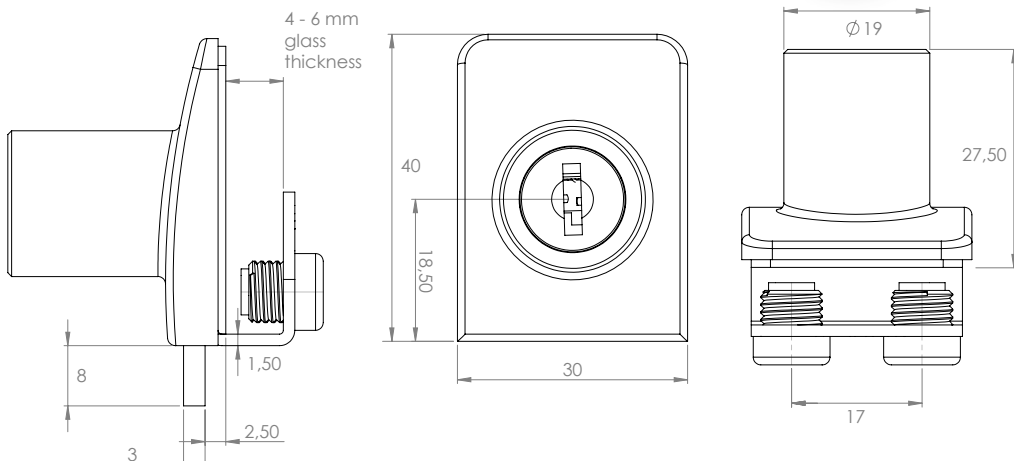
W/SISO oval metal keys. 400 key combinations or key alike. Also available with Master key & interchangeable cylinder.

Material: Zamak
 Size: 40 x 30 mm
 Glass thickness: 4 – 6 mm

Item No.:
 Chrome Plated # 14.09.520
 Alu finish # 14.09.521
 Black Anodized # 14.09.522



SINGLE DOOR LOCK W/
DOUBLE DOOR STRIKER



DOUBLE DOOR STRIKER »SQUARE« F/SINGLE DOOR LOCK

- high quality furniture fittings

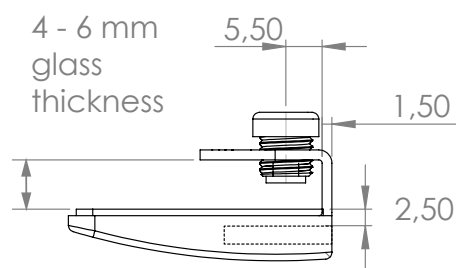
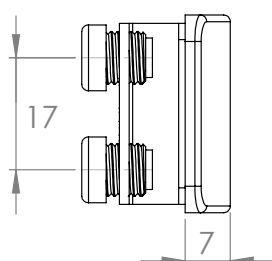
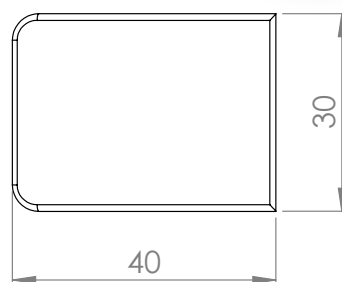
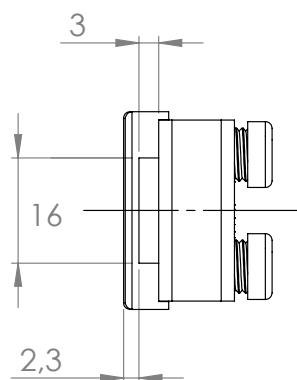


DOUBLE DOOR STRIKER »SQUARE« F/SINGLE DOOR LOCK

To be used with single door lock for double doors.

Material: Zamak
Size: 40 x 30 mm
Glass thickness: 4 – 6 mm

Item No.:
Chrome Plated # 14.09.530
Alu finish # 14.09.531
Black Anodized # 14.09.532

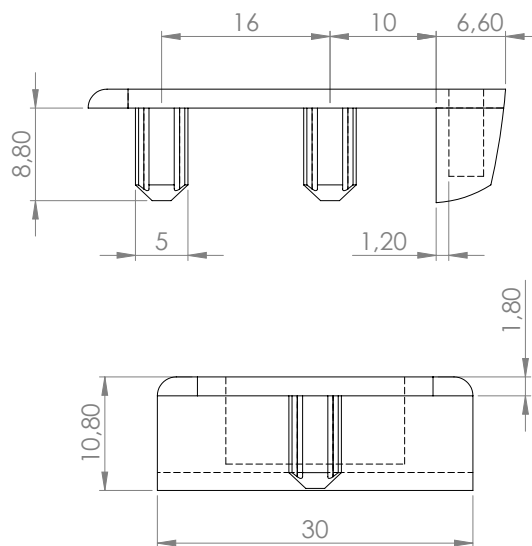
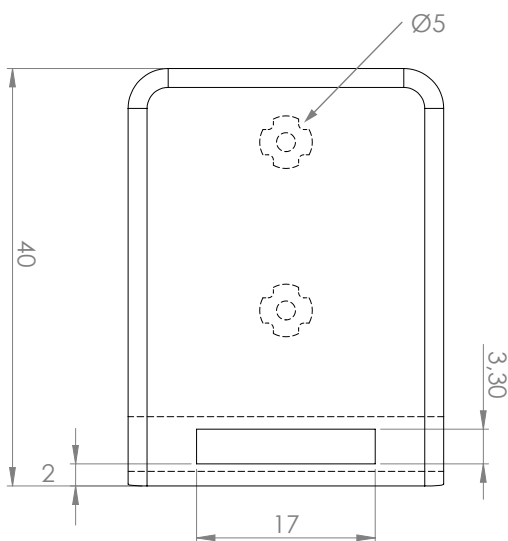
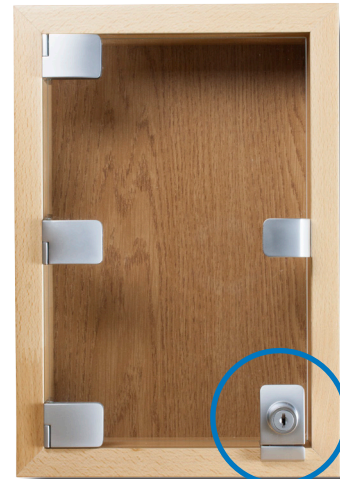


EDGE STRIKER »SQUARE« F/SINGLE DOOR

To be used when glass door lock is to be flush with the edge of the cabinet.
W/Knock in pins.

Material: Zamak
Size: 40 x 30 mm
Knock-in pins: Ø5 x 9 mm

Item No.:
Chrome Plated # 14.09.535
Alu finish # 14.09.536
Black Anodized # 14.09.537



GLASS DOOR LOCK »SQUARE« F/DOUBLE DOORS

- high quality furniture fittings

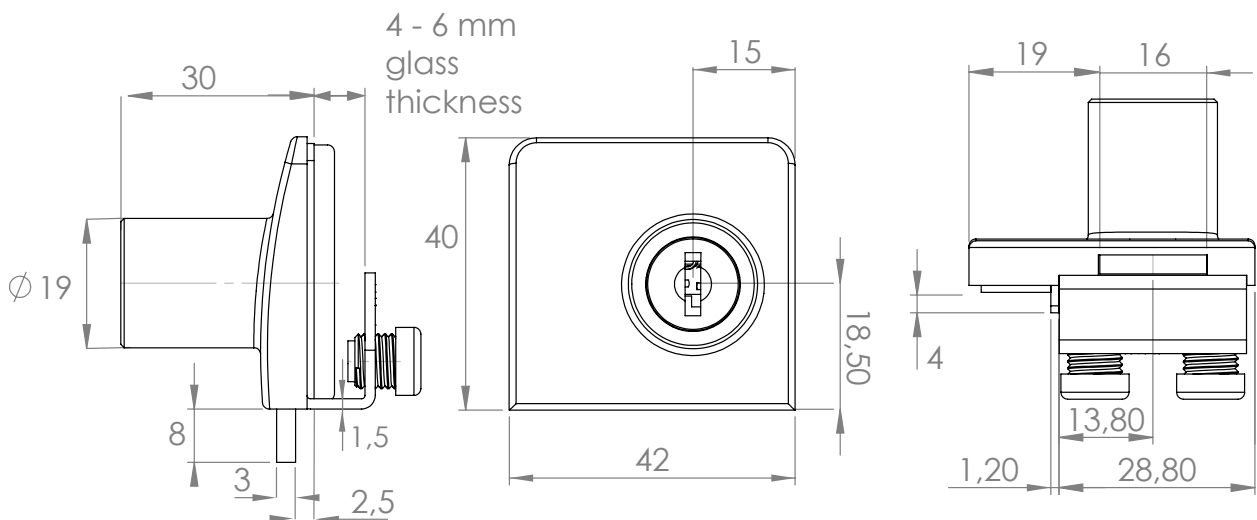


GLASS DOOR LOCK »SQUARE« F/DOUBLE DOORS

W/SISO oval metal keys. 400 key combinations or key alike. Also available with Master key & interchangeable cylinder.

Material: Zamak
Size: 40 x 42 mm
Glass thickness: 4 – 6 mm

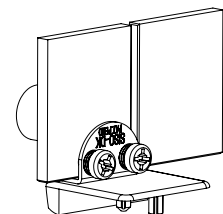
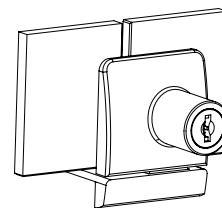
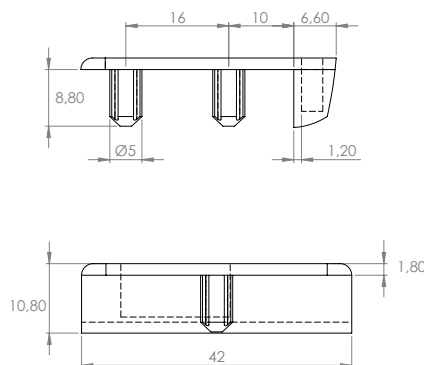
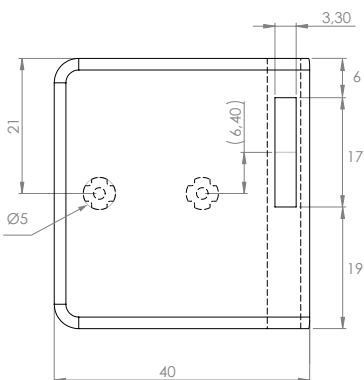
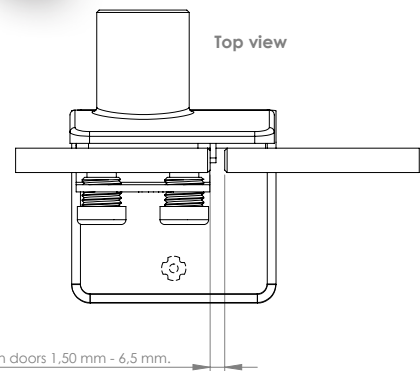
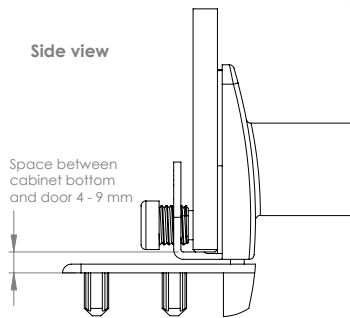
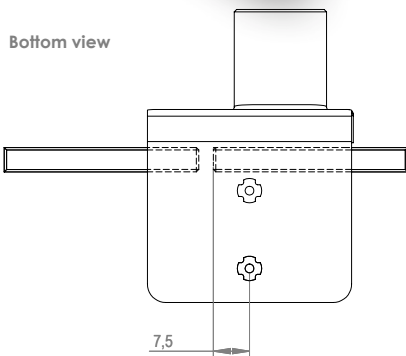
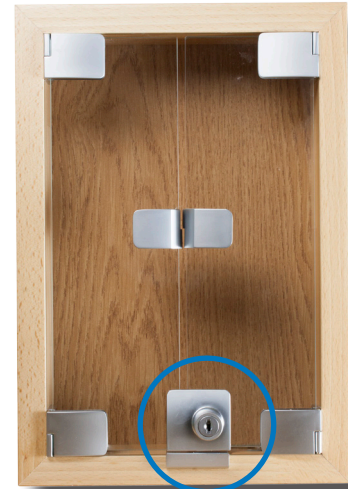
Item No.:
Chrome Plated # 14.09.555
Alu finish # 14.09.556
Black Anodized # 14.09.557



EDGE STRIKER »SQUARE« F/DOUBLE DOOR LOCK

To be used when glass door lock is to be flush with the edge of the cabinet. W/Knock in pins.

Material:	Zamak
Size:	40 x 42 mm
Knock-in pins:	Ø5 x 9 mm
Item No.:	
Chrome Plated	# 14.09.565
Alu finish	# 14.09.566
Black Anodized	# 14.09.567



GLASS DOOR HINGE »SQUARE« F/NARROW FRAMES

- high quality furniture fittings



TOP & BOTTOM HINGE »SQUARE« F/NARROW FRAMES

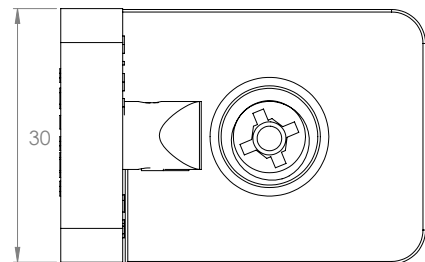
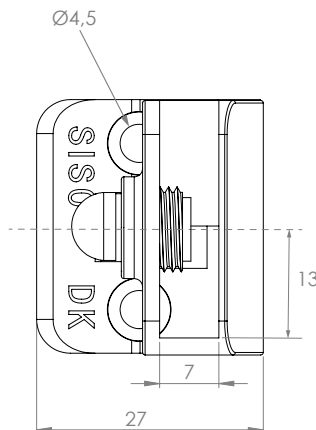
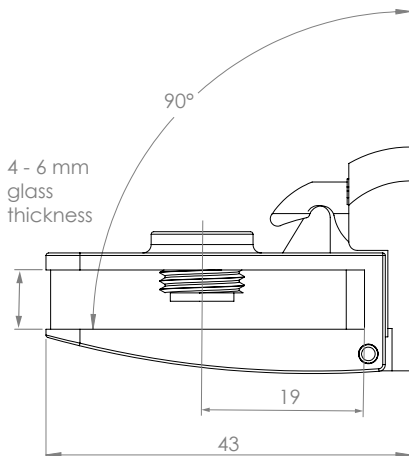
F/Wood/Glass. F/Inset doors. W/Catch function.
Ideal for cabinets with narrow frame

Material: Zamak
Size: 27 x 30 x 43 mm (D/H/L)
Glass thickness: 4 – 6 mm
Max door size: 1000 x 400 mm (H/W)
Opening: 90 or 180 DG

Item No.:
Chrome Plated # 15.06.215
Alu finish # 15.06.216
Black Anodized # 15.06.217



SHORT MOUNTING PLATE

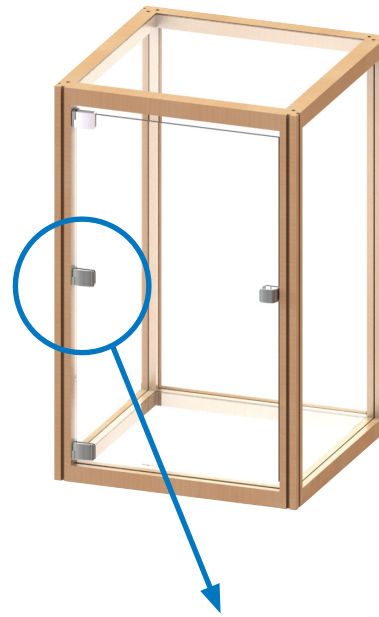


CENTRE HINGE »SQUARE« F/NARROW FRAMES

F/Wood/Glass. F/Inset doors. W/Catch function.
Ideal for cabinets with narrow frame

Material: Zamak
Size: 27 x 30 x 43 mm (D/H/L)
Glass thickness: 4 – 6 mm
Max door size: 1000 x 400 mm (H/W)
Opening: 90 or 180 DG

Item No.:
Chrome Plated # 15.06.235/260 (R/L)
Alu finish # 15.06.236/261 (R/L)
Black Anodized # 15.06.237/262 (R/L)



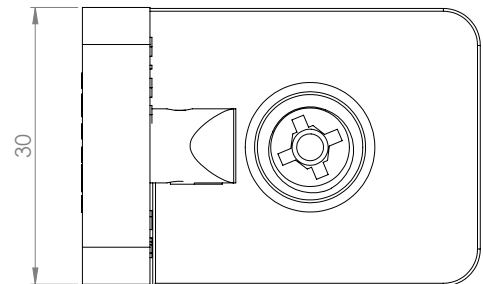
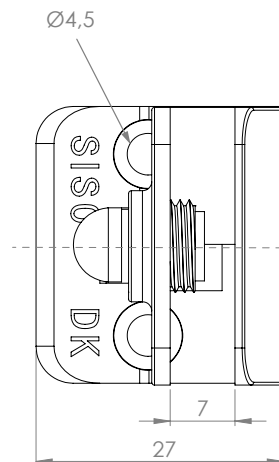
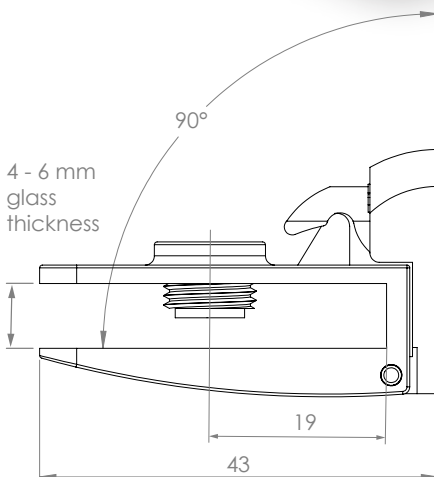
Right



Left



SHORT MOUNTING PLATE





Top & Bottom Hinge

Chrome Plated	# 15.06.210
Alu Finish	# 15.06.211
Black Anodized	# 15.06.212
Gold Plated	# 15.06.213*
Bronze Plated	# 15.06.214*

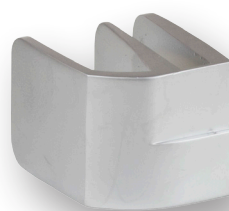
Centre Hinge R/L

Chrome Plated	# 15.06.230/255
Alu Finish	# 15.06.231/256
Black Anodized	# 15.06.232/257
Gold Plated	# 15.06.233/258*
Bronze Plated	# 15.06.234/259*



Handle Single Door

Chrome Plated	# 17.40.060
Alu Finish	# 17.40.061
Black Anodized	# 17.40.062
Gold Plated	# 17.40.063*
Bronze Plated	# 17.40.064*



Handle Double Doors

Chrome Plated	# 17.40.080
Alu Finish	# 17.40.081
Black Anodized	# 17.40.082
Gold Plated	# 17.40.083*
Bronze Plated	# 17.40.084*



Glass Door Lock f/ Single Doors

Chrome Plated	# 14.09.520
Alu Finish	# 14.09.521
Black Anodized	# 14.09.522
Gold Plated	# 14.09.523*
Bronze Plated	# 14.09.524*



Glass Door Lock f/ Double Doors

Chrome Plated	# 14.09.555
Alu Finish	# 14.09.556
Black Anodized	# 14.09.557
Gold Plated	# 14.09.558*
Bronze Plated	# 14.09.559*



Double Door Striker f/ Single Door Lock

Chrome Plated	# 14.09.530
Alu Finish	# 14.09.531
Black Anodized	# 14.09.532
Gold Plated	# 14.09.533*
Bronze Plated	# 14.09.534*



Edge Striker f/ Single Door Lock

Chrome Plated	# 14.09.535
Alu Finish	# 14.09.536
Black Anodized	# 14.09.537
Gold Plated	# 14.09.538*
Bronze Plated	# 14.09.539*



Edge Striker f/ Double Door Lock

Chrome Plated	# 14.09.565
Alu Finish	# 14.09.566
Black Anodized	# 14.09.567
Gold Plated	# 14.09.568*
Bronze Plated	# 14.09.569*



Top & Bottom Short Hinge

- Chrome Plated # 15.06.215
- Alu Finish # 15.06.216
- Black Anodized # 15.06.217
- Gold Plated # 15.06.219*
- Bronze Plated # 15.06.218*

* On request



Centre Short Hinge R/L

- Chrome Plated # 15.06.235/260
- Alu Finish # 15.06.236/261
- Black Anodized # 15.06.237/262
- Gold Plated # 15.06.238/263*
- Bronze Plated # 15.06.239/264*

SPARE PARTS

ZAMAK SCREW W/SOFT TIP F/HINGES & HANDLES



4mm Hex & PZD

- NPL # 15.06.243-1
- Black # 15.06.243-5

ZAMAK SCREW W/EXTENSION F/HINGES & HANDLES



4mm Hex & PZD

- NPL # 15.06.244-1
- Black # 15.06.244-2

ZAMAK SCREW W/SOFT TIP F/LOCKS



4mm Hex & PZD

- NPL # 14.09.238-5
- Black # 14.09.239

BLANK PASSION METAL KEYS



NPL # 14.04.108-9

CONCEPT »BADGE«



- NO DRILLING REQUIRED
- 4 - 6 mm GLASS
- FOR WOOD CABINETS
- HINGES, LOCKS & HANDLES IN SAME MATCHING »BADGE« DESIGN

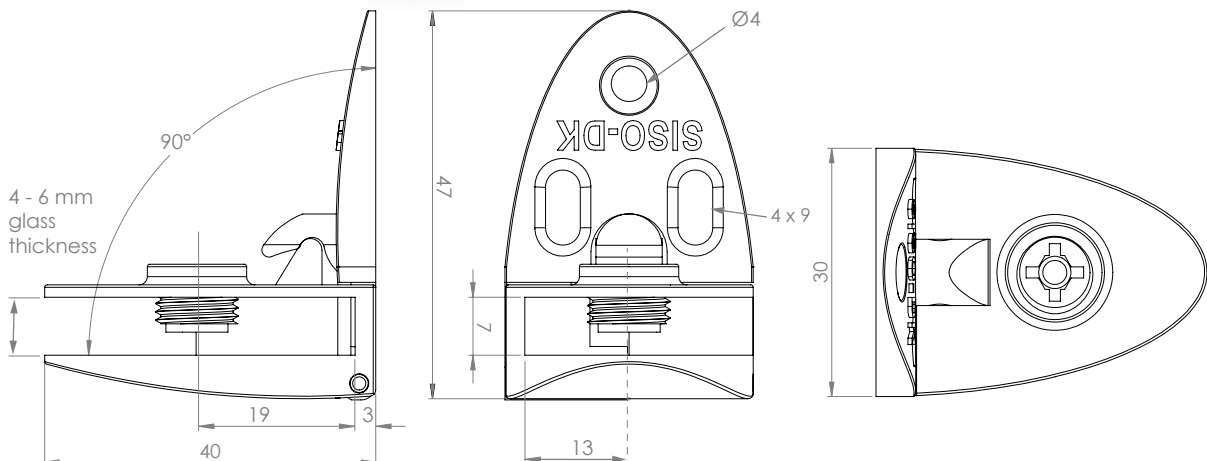
GLASS DOOR HINGE »BADGE«

TOP & BOTTOM HINGE »BADGE«

F/Wood/Glass. F/Inset doors. W/Catch function.

Material: Zamak
 Size: 47 x 30 x 40 mm (D/H/L)
 Glass thickness: 4 – 6 mm
 Max door size: 1000 x 400 mm (H/W)
 Opening: 90 or 180 DG

Item No:
 Chrome Plated # 15.06.200
 Alu finish # 15.06.201
 Black Anodized # 15.06.202





CENTRE HINGE »BADGE«

F/Wood/Glass. F/Inset doors. W/Catch function.

Material: Zamak
 Size: 47 x 30 x 40 mm (D/H/L)
 Glass thickness: 4 – 6 mm
 Max door size: 1000 x 400 mm (H/W)
 Opening: 90 or 180 DG

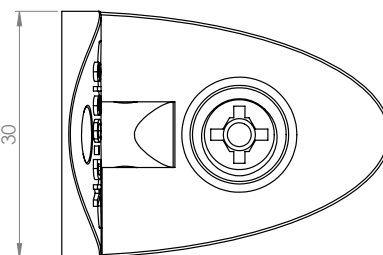
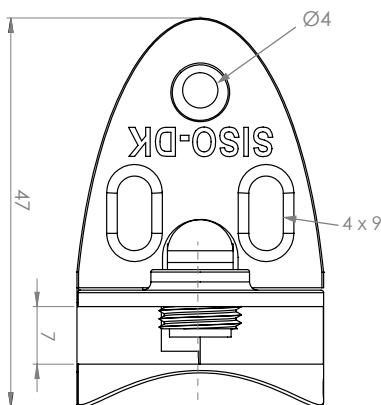
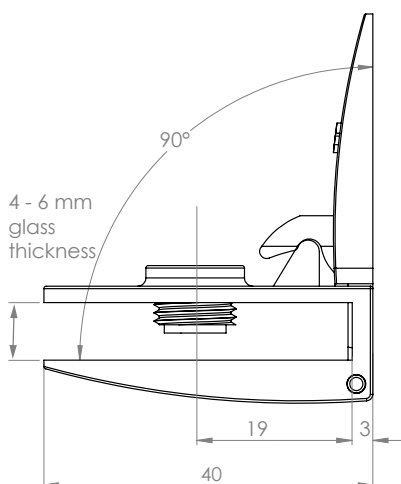
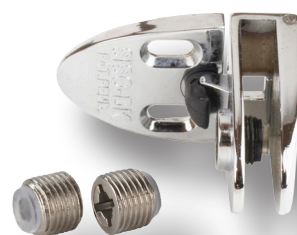
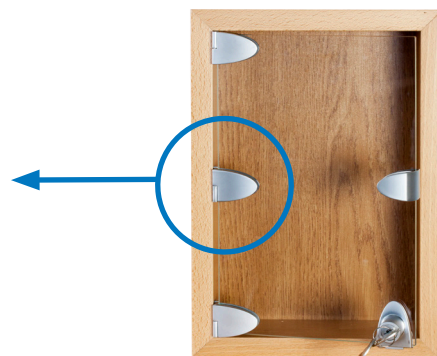
Item No:
 Chrome Plated # 15.06.220/245 R/L
 Alu finish # 15.06.221/246 R/L
 Black Anodized # 15.06.222/247 R/L



Right



Left

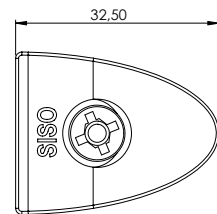
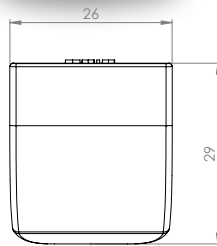


SINGLE & DOUBLE GLASS DOOR HANDLE »BADGE«

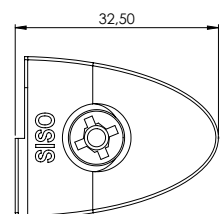
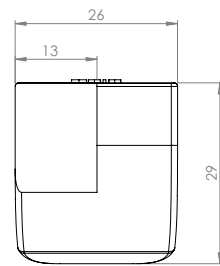
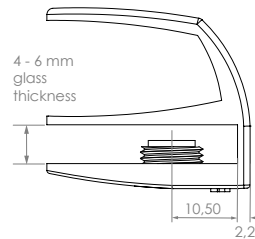
SINGLE DOOR HANDLE »BADGE«

Material: Zamak
 Size: 26 x 34 mm
 Glass thickness: 4 – 6 mm

Item No.:
 Chrome Plated # 17.40.050
 Alu finish # 17.40.051
 Black Anodized # 17.40.052



Single



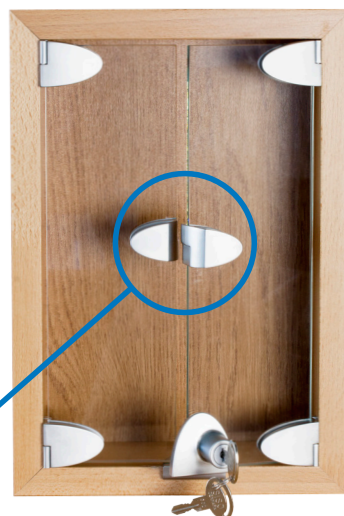
Double

DOUBLE DOOR HANDLE »BADGE«

W/Side-wall cut to minimize the gab between the glass doors.

Material: Zamak
 Size: 26 x 34 mm
 Glass thickness: 4 – 6 mm

Item No.:
 Chrome Plated # 17.40.070
 Alu finish # 17.40.071
 Black Anodized # 17.40.072



GLASS DOOR LOCK »BADGE« F/SINGLE DOOR

- high quality furniture fittings



GLASS DOOR LOCK »BADGE« F/SINGLE DOORS

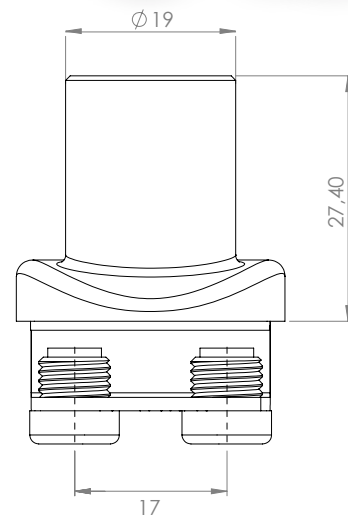
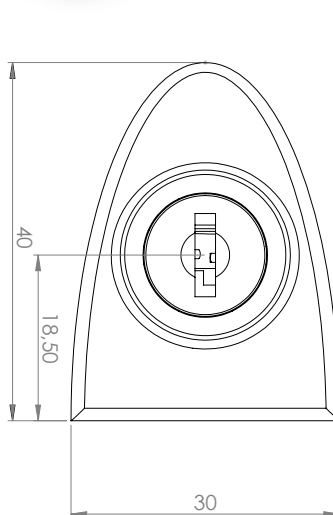
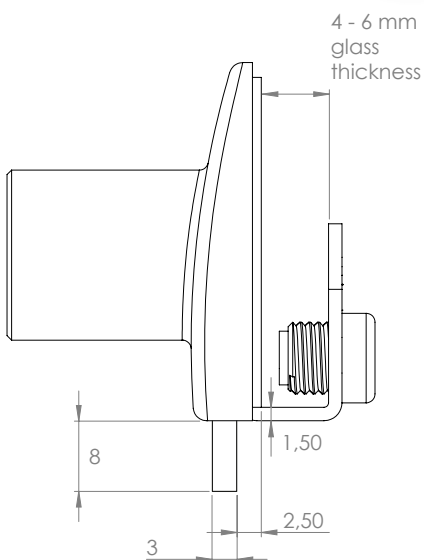
W/SISO oval metal keys. 400 key combinations or key alike. Also available with Master key & interchangeable cylinder.

Material: Zamak
 Size: 40 x 30 mm
 Glass thickness: 4 – 6 mm

Item No.:
 Chrome Plated # 14.09.500
 Alu finish # 14.09.501
 Black Anodized # 14.09.502



SINGLE DOOR LOCK W/
DOUBLE DOOR STRIKER

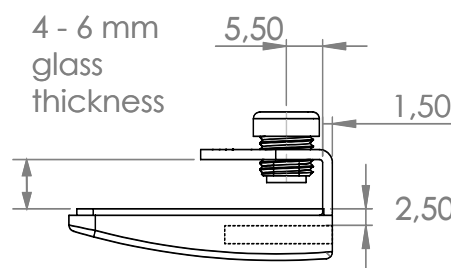
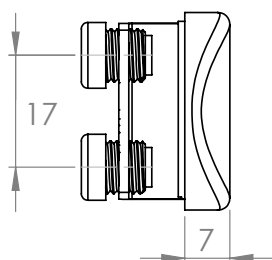
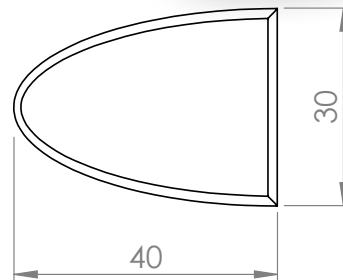
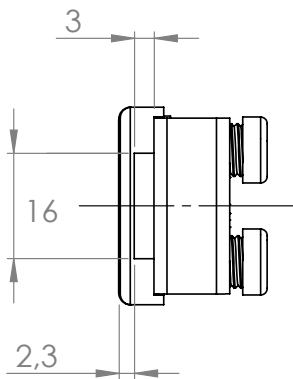


DOUBLE DOOR STRIKER »BADGE« F/SINGLE DOOR LOCK

DOUBLE DOOR STRIKER »BADGE« F/SINGLE DOOR LOCK

To be used with single door lock for double doors.

Material:	Zamak
Size:	40 x 30 mm
Glass thickness:	4 – 6 mm
Item No.:	
Chrome Plated	# 14.09.510
Alu finish	# 14.09.511
Black Anodized	# 14.09.512

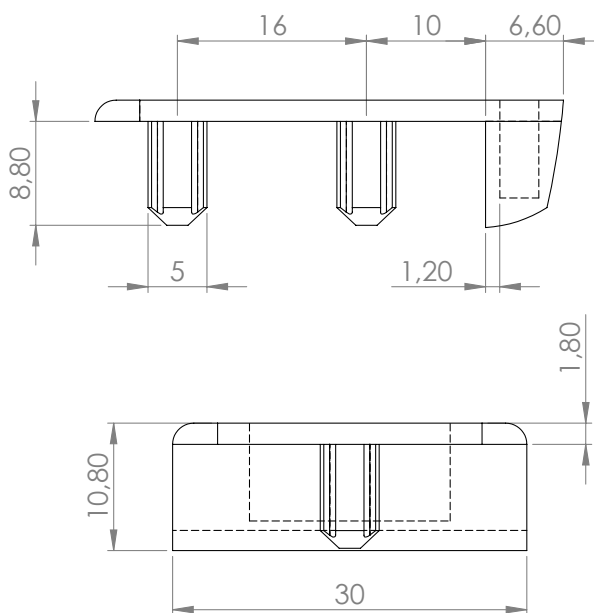
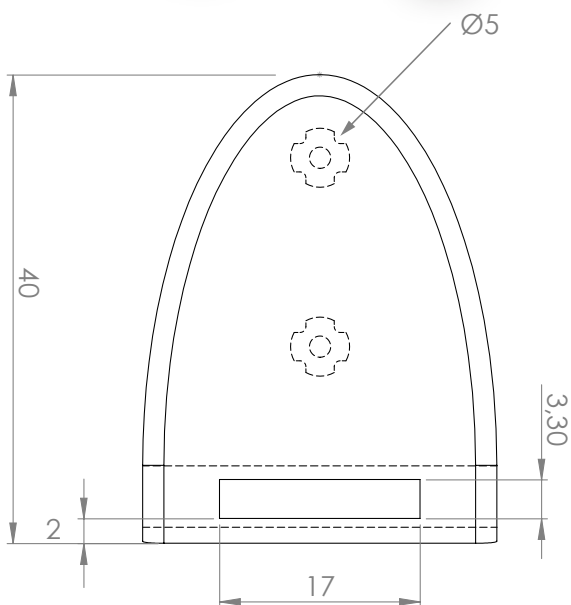


EDGE STRIKER »BADGE« F/SINGLE DOOR LOCK

To be used when glass door lock is to be flush with the edge of the cabinet. W/Knock in pins.

Material: Zamak
 Size: 40 x 30 mm
 Glass thickness: 4 – 6 mm
 Knock-in pins: Ø5 x 9 mm

Item No.:
 Chrome Plated # 14.09.515
 Alu finish # 14.09.516
 Black Anodized # 14.09.517



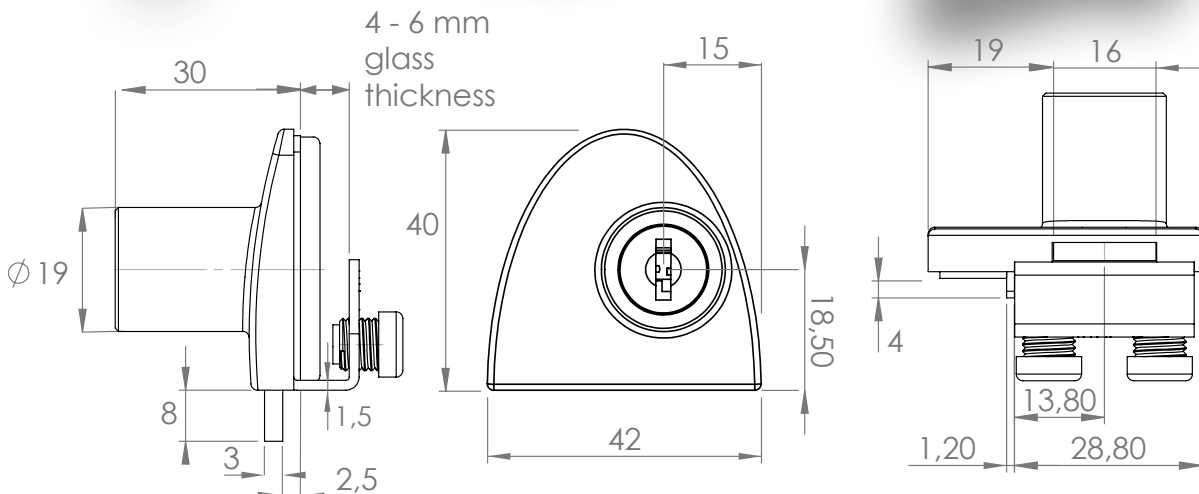
GLASS DOOR LOCK »BADGE« F/DOUBLE DOORS

GLASS DOOR LOCK »BADGE« F/DOUBLE DOORS

To be used with single door lock for double doors.

Material: Zamak
Size: 40 x 42 mm
Glass thickness: 4 – 6 mm

Item No.:
Chrome Plated # 14.09.540
Alu finish # 14.09.541
Black Anodized # 14.09.542



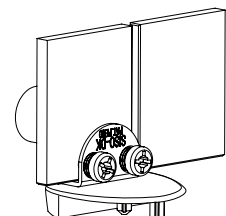
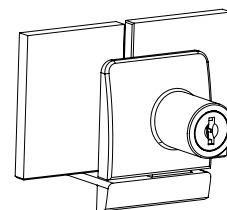
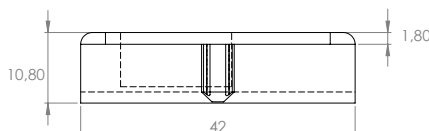
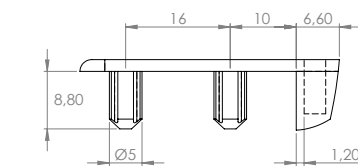
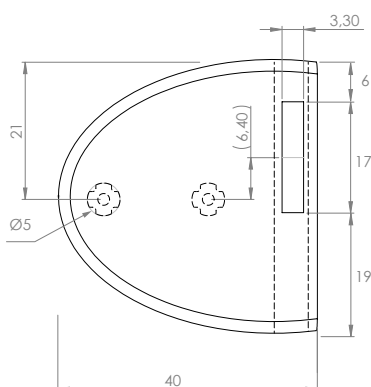
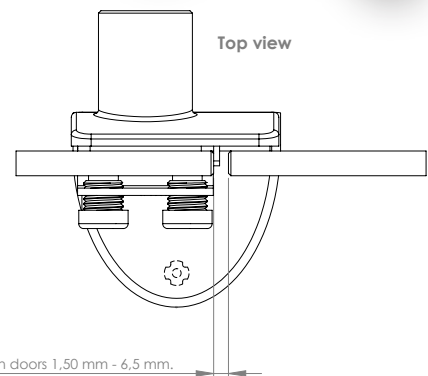
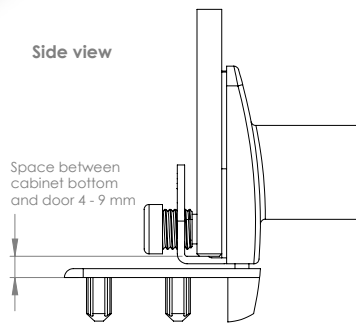
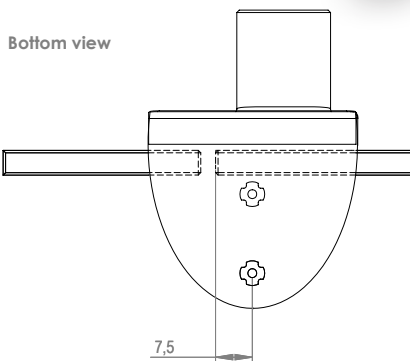


EDGE STRIKER »BADGE« F/DOUBLE DOOR LOCK

To be used with single door lock for double door lock to be flush with the edge of the cabinet. W/ Knock in pins.

Material: Zamak
 Size: 40 x 42 mm
 Glass thickness: 4 – 6 mm
 Knock-in pins: Ø5 x 9 mm

Item No.:
 Chrome Plated # 14.09.550
 Alu finish # 14.09.551
 Black Anodized # 14.09.552



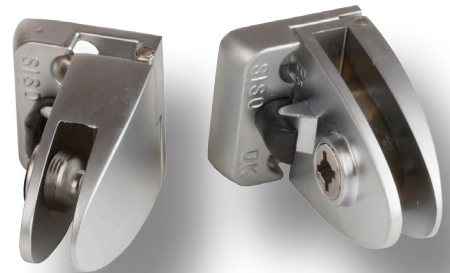
GLASS DOOR HINGE »BADGE« F/NARROW FRAMES

TOP & BOTTOM HINGE »BADGE« F/NARROW FRAMES

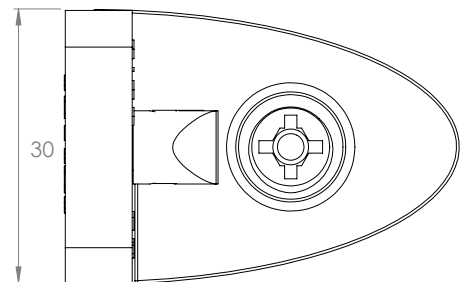
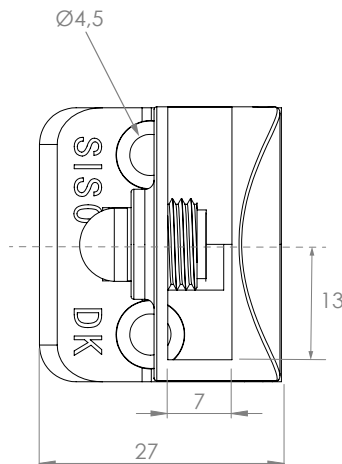
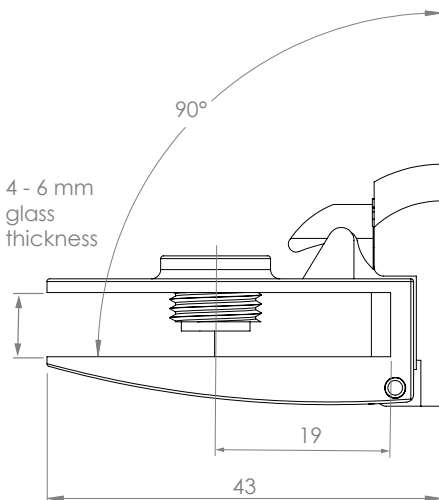
F/Wood/Glass. F/Inset doors. W/Catch function.
Ideal for cabinets with narrow frame

Material: Zamak
Size: 27 x 30 x 43 mm (D/H/L)
Glass thickness: 4 – 6 mm
Max door size: 1000 x 400 mm (H/W)
Opening: 90 or 180 DG

Item No.:
Chrome Plated # 15.06.205
Alu finish # 15.06.206
Black Anodized # 15.06.207



SHORT MOUNTING PLATE



GLASS DOOR HINGE »BADGE« F/NARROW FRAMES

- high quality furniture fittings

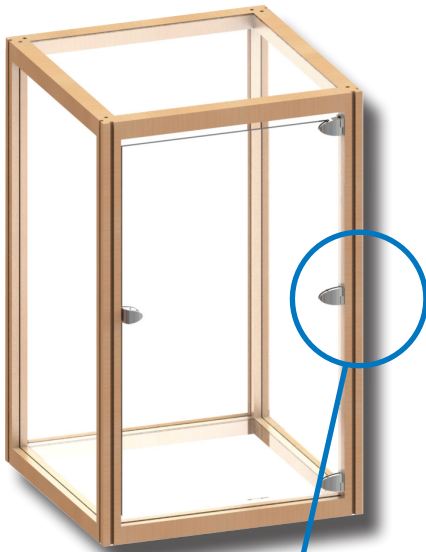


CENTRE HINGE »BADGE« F/NARROW FRAMES

F/Wood/Glass. F/Inset doors. W/Catch function.
Ideal for cabinets with narrow frame

Material: Zamak
Size: 27 x 30 x 43 mm (D/H/L)
Glass thickness: 4 – 6 mm
Max door size: 1000 x 400 mm (H/W)
Opening: 90 or 180 DG

Item No.:
Chrome Plated # 15.06.225/250
Alu finish # 15.06.226/251
Black Anodized # 15.06.227/252



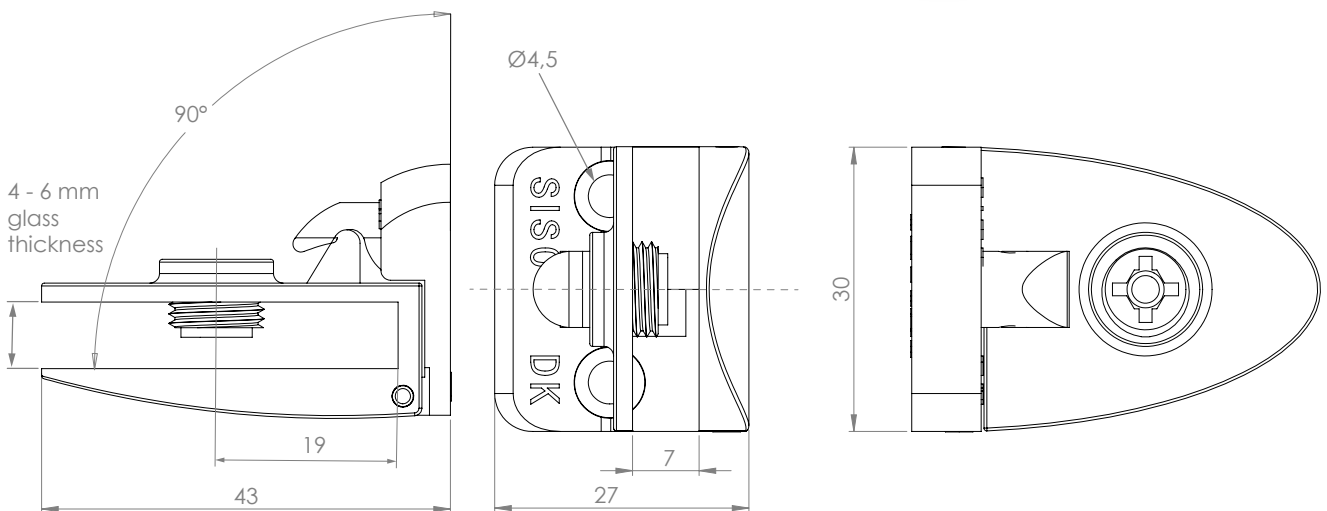
SHORT MOUNTING PLATE



Left



Right





Top & Bottom Hinge

Chrome Plated	# 15.06.200
Alu Finish	# 15.06.201
Black Anodized	# 15.06.202
Gold Plated	# 15.06.203*
Bronze Plated	# 15.06.204*

Centre Hinge R/L

Chrome Plated	# 15.06.220/245
Alu Finish	# 15.06.221/246
Black Anodized	# 15.06.222/247
Gold Plated	# 15.06.223/248*
Bronze Plated	# 15.06.224/249*



Handle Single Door

Chrome Plated	# 17.40.050
Alu Finish	# 17.40.051
Black Anodized	# 17.40.052
Gold Plated	# 17.40.053*
Bronze Plated	# 17.40.054*



Handle Double Doors

Chrome Plated	# 17.40.070
Alu Finish	# 17.40.071
Black Anodized	# 17.40.072
Gold Plated	# 17.40.073*
Bronze Plated	# 17.40.074*



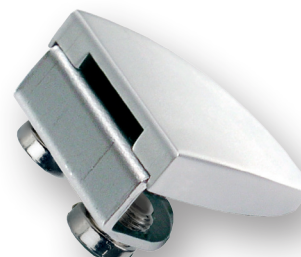
**Glass Door Lock
f/ Single Doors**

Chrome Plated	# 14.09.500
Alu Finish	# 14.09.501
Black Anodized	# 14.09.502
Gold Plated	# 14.09.503*
Bronze Plated	# 14.09.504*



**Glass Door Lock
f/ Double Doors**

Chrome Plated	# 14.09.540
Alu Finish	# 14.09.541
Black Anodized	# 14.09.542
Gold Plated	# 14.09.543*
Bronze Plated	# 14.09.544*



**Double Door Striker
f/ Single Door Lock**

Chrome Plated	# 14.09.510
Alu Finish	# 14.09.511
Black Anodized	# 14.09.512
Gold Plated	# 14.09.513*
Bronze Plated	# 14.09.514*



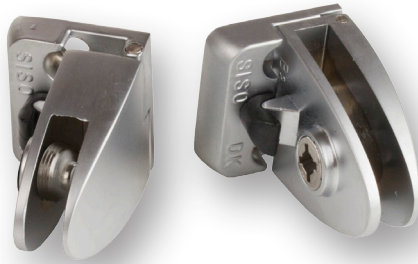
**Edge Striker
f/ Single Door Lock**

Chrome Plated	# 14.09.515
Alu Finish	# 14.09.516
Black Anodized	# 14.09.517
Gold Plated	# 14.09.518*
Bronze Plated	# 14.09.519*



**Edge Striker
f/ Double Door Lock**

Chrome Plated	# 14.09.550
Alu Finish	# 14.09.551
Black Anodized	# 14.09.552
Gold Plated	# 14.09.553*
Bronze Plated	# 14.09.554*



Top & Bottom Short Hinge

Chrome Plated	# 15.06.205
Alu Finish	# 15.06.206
Black Anodized	# 15.06.207
Gold Plated	# 15.06.208*
Bronze Plated	# 15.06.209*



Centre Short Hinge R/L

Chrome Plated	# 15.06.225/250
Alu Finish	# 15.06.226/251
Black Anodized	# 15.06.227/252
Gold Plated	# 15.06.228/253*
Bronze Plated	# 15.06.229/254*

* On request

SPARE PARTS

ZAMAK SCREW W/SOFT TIP F/HINGES & HANDLES



4mm Hex & PZD	
NPL	# 15.06.243-1
Black	# 15.06.243-5

ZAMAK SCREW W/EXTENSION F/HINGES & HANDLES



4mm Hex & PZD	
NPL	# 15.06.244-1
Black	# 15.06.244-2

ZAMAK SCREW W/SOFT TIP F/LOCKS



4mm Hex & PZD	
NPL	# 14.09.238-5
Black	# 14.09.239

BLANK PASSION METAL KEYS



NPL	# 14.04.108-9
-----	---------------

CONCEPT »U-SEE«



- UV-GLUEING REQUIRED
- 4 - 6,75 mm GLASS
- FOR GLASS CABINETS
- HINGES, LOCKS & STRIKERS IN SAME MATCHING »SQUARE« DESIGN

GLASS DOOR HINGE »U-SEE«

GLASS TO GLASS

- high quality furniture fittings



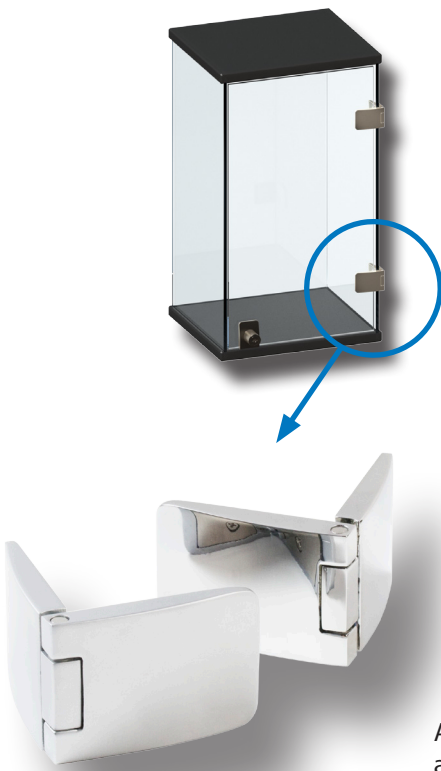
GLASS DOOR HINGE »U-SEE« GLASS TO GLASS

Zamak hinge, glass/glass. For UV-glue.
With built-in catch. Universal. No top or bottom.

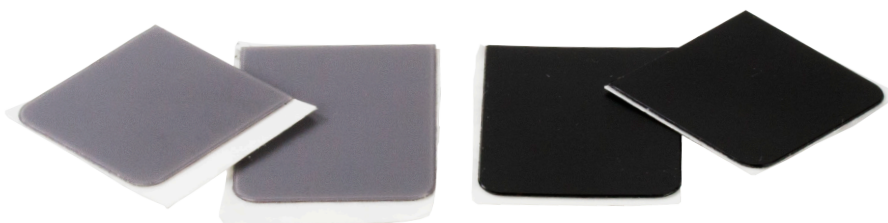
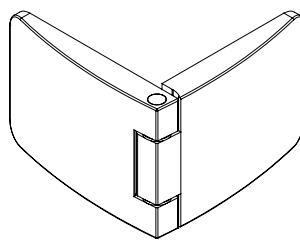
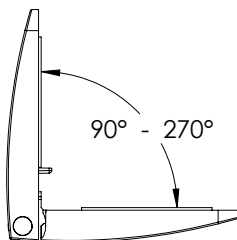
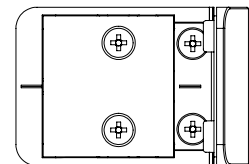
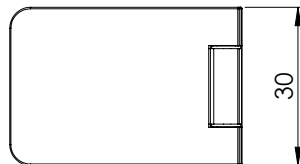
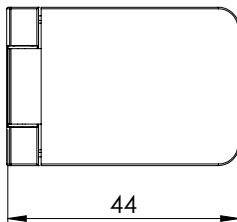
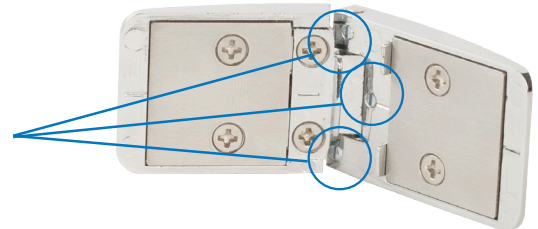
Material: Zamak & stainless steel
Size: 44 x 30 mm
Glass thickness: 4 - 6,75 mm

Item No:
Chrome Plated # 15.06.290
Alu finish # 15.06.291

Inclusive adhesive cover caps in grey and black color.



Adjustment screws for angle and tightness



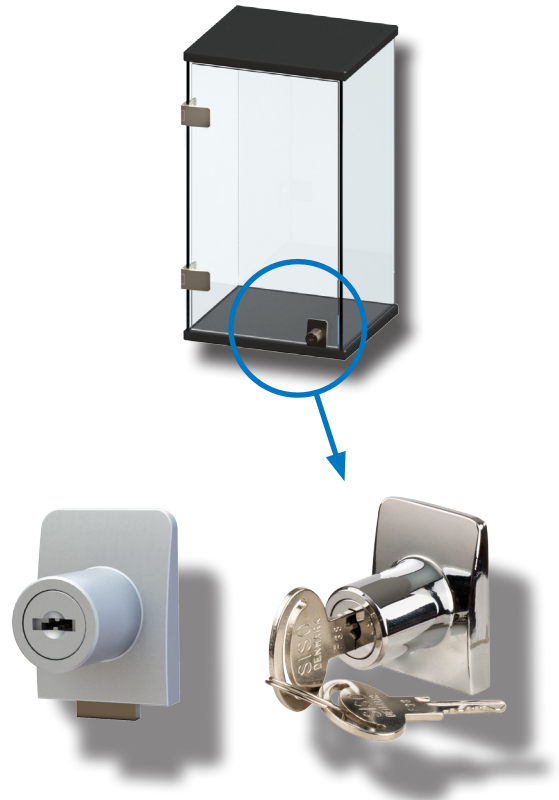
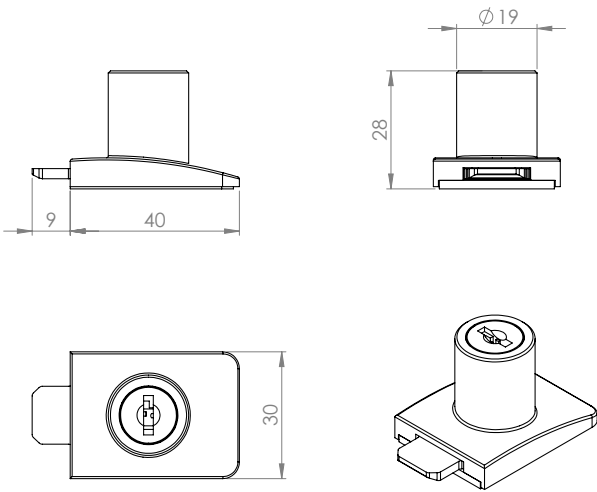
Adhesive cover caps in grey and black color.

SINGLE DOOR LOCK »U-SEE«

Zamak lock for UV-glue, W/SISO oval metal keys.
400 Key combinations. Master key & interchangeable cylinder on request.

Material: Zamak & stainless steel
Size: 40 x 30 mm
Glass thickness: 4 - 6,75 mm

Item No:
Chrome Plated # 14.09.600
Alu finish # 14.09.601

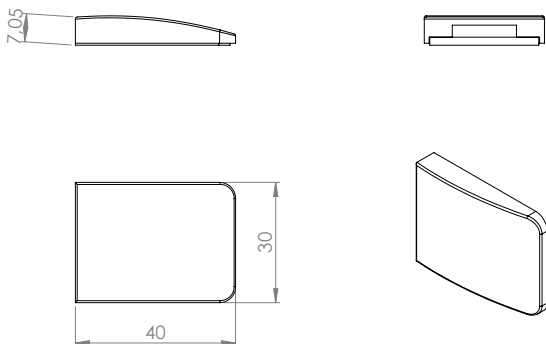


DOUBLE DOOR STRIKER »U-SEE«

Zamak double door striker for single door lock. For UV-glue.

Material: Zamak & stainless steel
Size: 40 x 30 mm
Glass thickness: 4 - 6,75 mm

Item No:
Chrome Plated # 14.09.610
Alu finish # 14.09.611



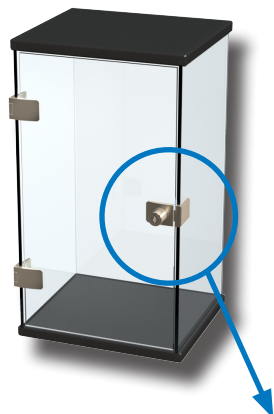
SINGLE DOOR LOCK W/
DOUBLE DOOR STRIKER

CORNER STRIKER »U-SEE« F/SINGLE DOOR LOCK

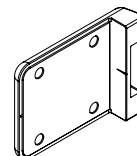
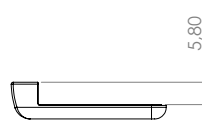
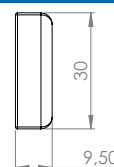
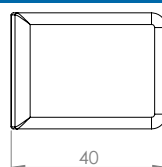
Zamak corner striker for single door lock. For UV-glue.

Material: Zamak & stainless steel
 Size: 40 x 30 mm
 Glass thickness: 4 - 5 or 6 - 6,75 mm

Item No:
 4 - 5 mm - Chrome Plated # 14.09.660
 4 - 5 mm - Alu finish # 14.09.661
 6 - 6,75 mm - Chrome Plated # 14.09.670
 6 - 6,75 mm - Alu finish # 14.09.671



SINGLE DOOR LOCK W/
CORNER STRIKER



BOTTOM STRIKER »U-SEE« F/SINGLE DOOR LOCK

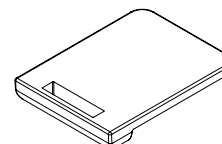
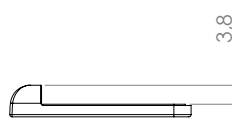
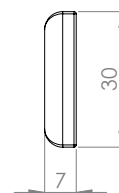
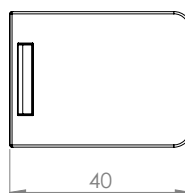
Zamak bottom striker for single door lock. For UV-glue.

Material: Zamak & stainless steel
 Size: 40 x 30 mm
 Glass thickness: 4 - 6,75 mm

Item No:
 Chrome Plated # 14.09.650
 Alu finish # 14.09.651



SINGLE DOOR LOCK W/BOTTOM STRIKER

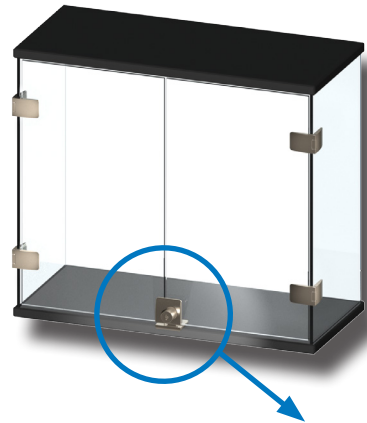
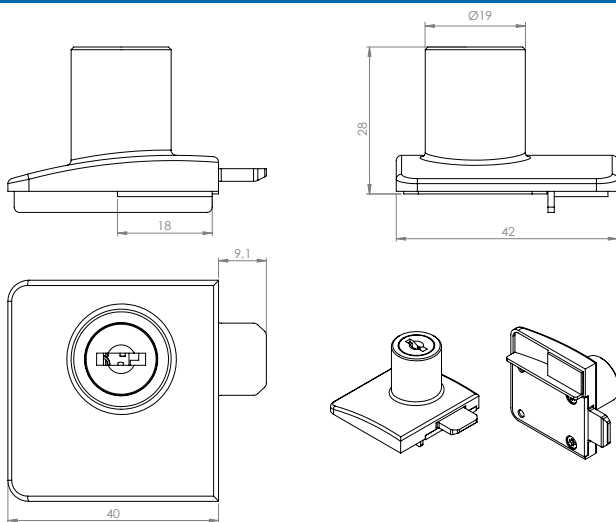


DOUBLE DOOR LOCK »U-SEE«

Zamak lock for UV-glue, W/SISO oval metal keys. 400 Key combinations. Master key & interchangeable cylinder on request.

Material: Zamak & stainless steel
 Size: 40 x 42 mm
 Glass thickness: 4 - 6,75 mm

Item No:
 Chrome Plated # 14.09.630
 Alu finish # 14.09.631

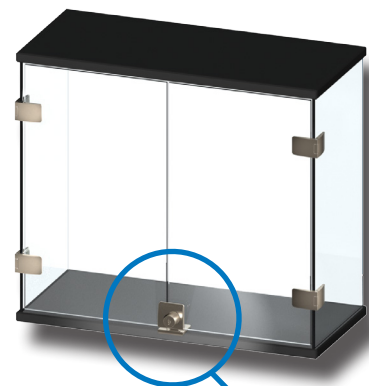
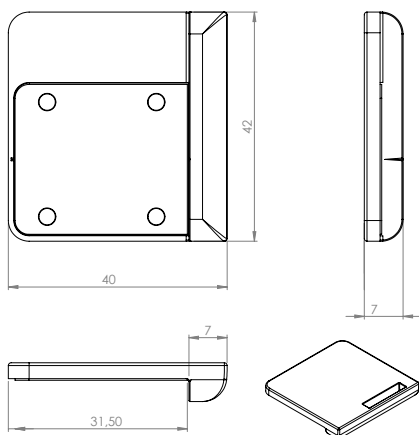


**BOTTOM STRIKER »U-SEE«
 F/DOUBLE DOOR LOCK**

Zamak Bottom striker for double door lock. For UV-glue.

Material: Zamak & stainless steel
 Size: 40 x 42 mm
 Glass thickness: 4 - 6,75 mm

Item No:
 Chrome Plated # 14.09.655
 Alu finish # 14.09.656



DOUBLE DOOR LOCK W/
 BOTTOM STRIKER FOR
 DOUBLE DOOR LOCK

CONCEPT »SEE-ME«



DESIGN REGISTERED

- DRILLING REQUIRED
- 4 - 6,75 mm GLASS
- FOR WOOD & GLASS CABINETS
- UNIVERSAL. NO TOP OR BOTTOM
- ONLY HINGES AVAILABLE. CAN BE USED WITH CONCEPT »SQUARE«

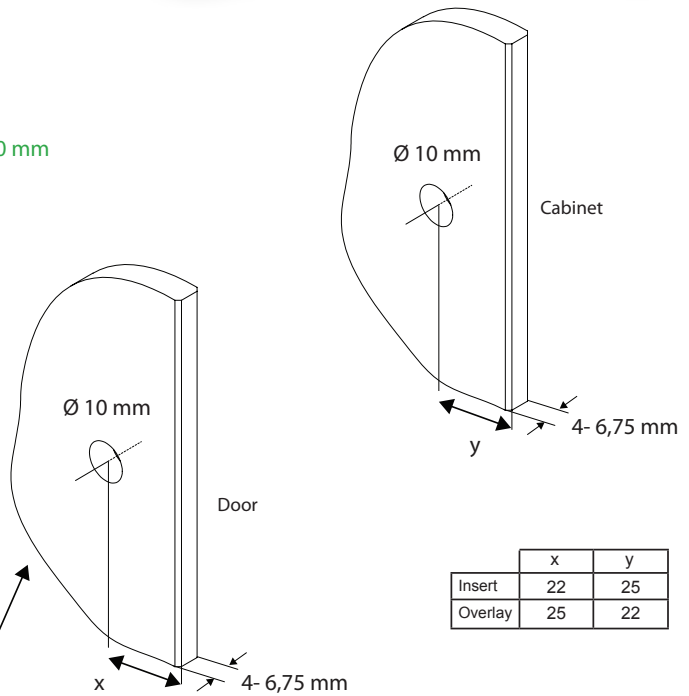
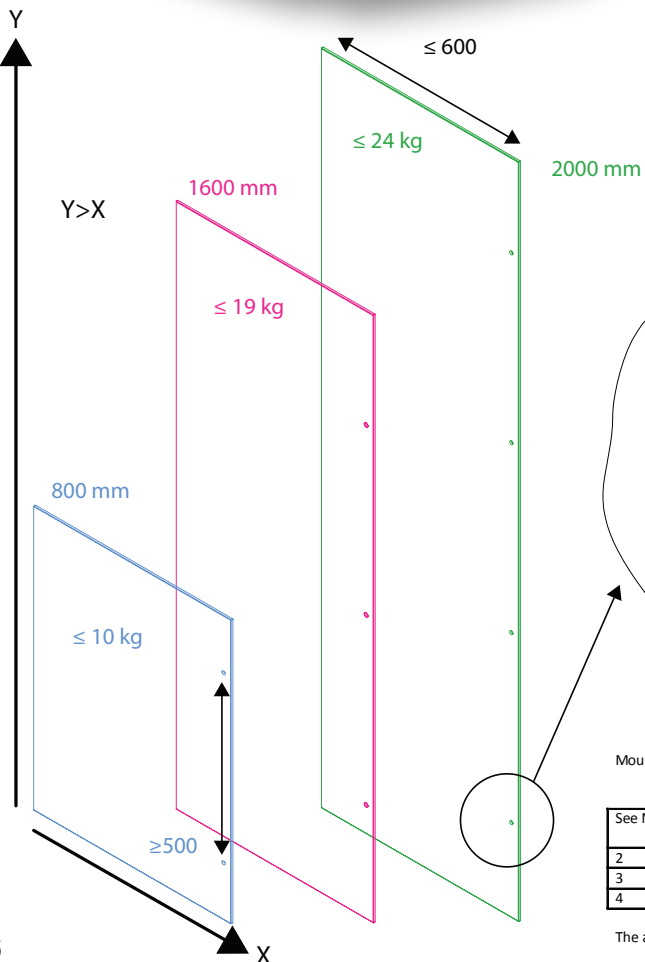
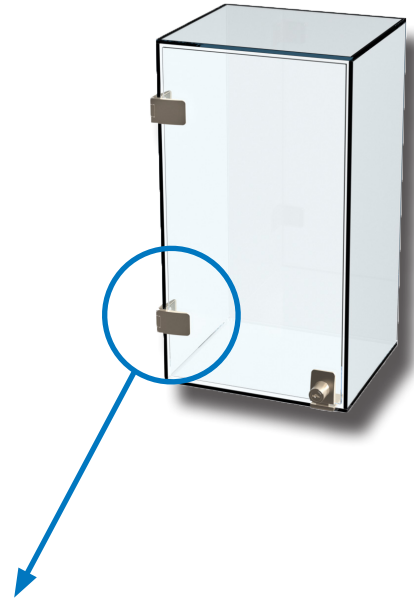
GLASS DOOR HINGE »SEE-ME« GLASS TO GLASS

GLASS DOOR HINGE »SEE-ME« GLASS TO GLASS

F/Glass/Glass or Wood/Glass. F/Inset & overlay doors. W/Catch function. Universal. No left/right or top/bottom

Material: Zamak
 Size: 44 x 44 x 30 mm (D/L/H)
 Glass thickness: 4 – 6,75 mm
 Drilling: Ø10 mm
 Max door size: 2000 x 600 mm (H/W)
 Opening: 180 DG

Item No.:
 Chrome Plated # 15.06.270
 Alu finish # 15.06.271
 Black Anodized # 15.06.272



	x	y
Insert	22	25
Overlay	25	22

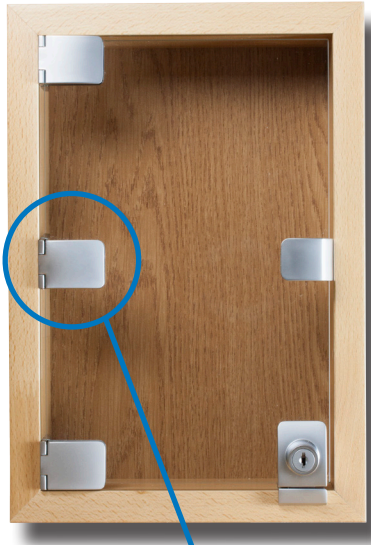
Mounting instruction: **500 mm. between hinges (center).**
 (Glass height must be larger than the width)

See Me pcs.	Glass width in mm. (Max.)	Glass height in mm. (Max.)	Glass thickness in mm.	Weight Max.
2	600	800	4 - 6,76	10 kg.
3	600	1600	4 - 6,76	19 kg.
4	600	2000	4 - 6,76	24 kg.

The above will be our guideline for the hinge. Measurements are for the glass door.

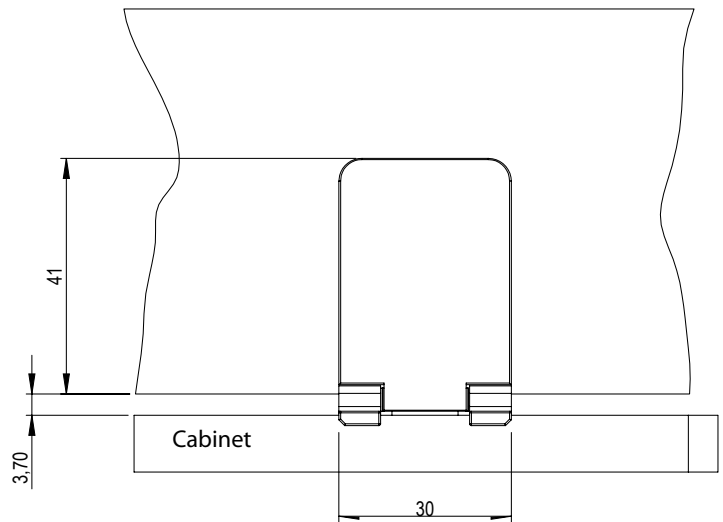
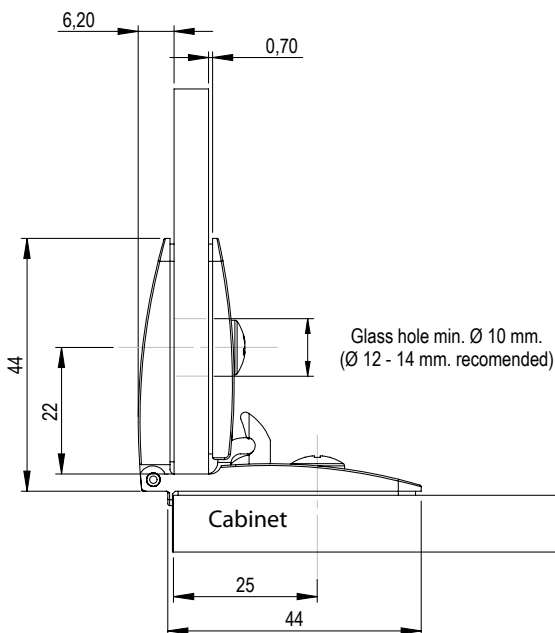
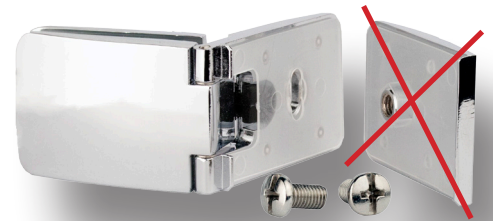
GLASS DOOR HINGE »SEE-ME« WOOD TO GLASS

- high quality furniture fittings

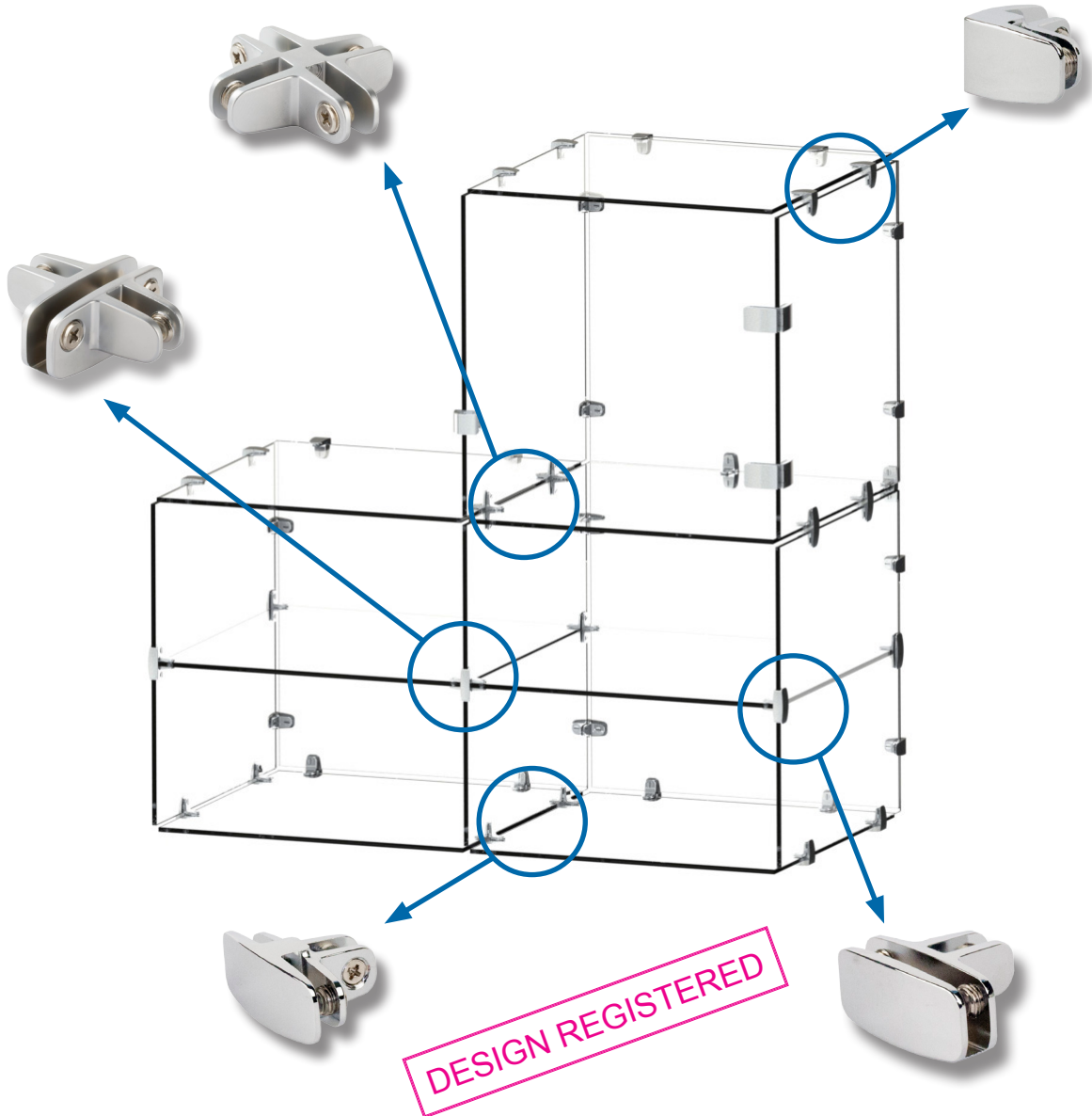


GLASS DOOR HINGE »SEE-ME« WOOD TO GLASS

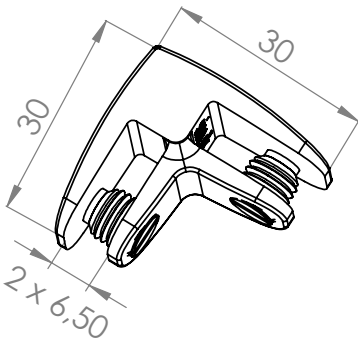
The "See-Me" glass to glass hinge can also be used for wooden side panels. Just leave out the front/cover plate.



CONCEPT »CONNECT«



- NO DRILLING REQUIRED
- 4 - 6 mm GLASS
- FOR GLASS CABINETS
- CAN BE USED WITH CONCEPT "SEE-ME"
& "U-SEE"



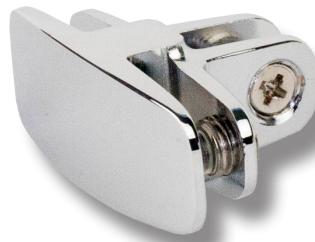
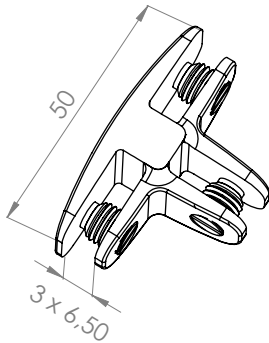
GLASS CONNECTOR 2-WAY 90°

Specification:

Material: Zamak
 Glass thickness: 4-6 mm
 Size: 30 x 30 x 25 (H) mm
 W/Zamak screw with soft tip

Chrome plated # 22.10.105
 Alu finish # 22.10.106

Other finishes on request.



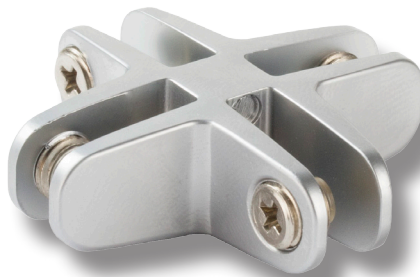
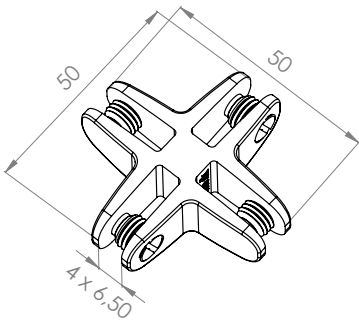
GLASS CONNECTOR 3-WAY T-JOINT

Specification:

Material: Zamak
 Glass thickness: 4-6 mm
 50 x 30 x 25 mm height
 W/Zamak screw with soft tip

Chrome plated # 22.10.115
 Alu finish # 22.10.116

Other finishes on request.



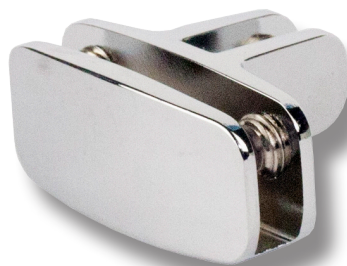
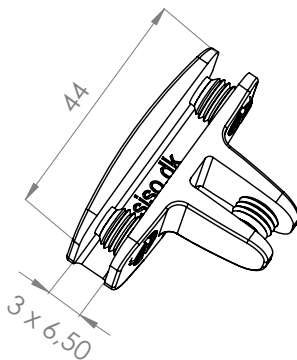
GLASS CONNECTOR 4-WAY 90°

Specification:

Material: Zamak
 Glass thickness: 4-6 mm
 50 x 50 x 25 mm height
 W/Zamak screw with soft tip

Chrome plated # 22.10.125
 Alu finish # 22.10.126

Other finishes on request.



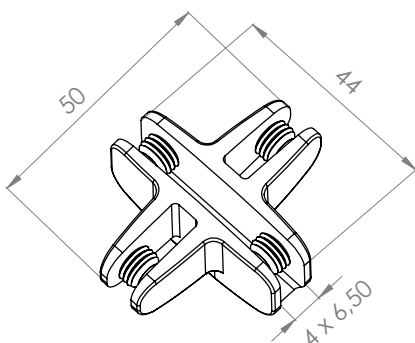
GLASS CONNECTOR 3-WAY CLOSED T-JOINT

Specification:

Material: Zamak
 Glass thickness: 4-6 mm
 50 x 44 x 25 mm
 Closed end - bottom/top connector
 W/Zamak screw with soft tip

Chrome plated # 22.10.135
 Alu finish # 22.10.136

Other finishes on request.



GLASS CONNECTOR 4-WAY CLOSED 90°

Specification:

Material: Zamak
 Glass thickness: 4-6 mm
 50 x 44 x 25 mm
 Closed end - bottom/top connector
 W/Zamak screw with soft tip

Chrome plated # 22.10.144
 Alu finish # 22.10.145

Other finishes on request.

»U-SEE«



»U-SEE« Double door lock
 Chrome Plated # 14.09.630
 Alu Finish # 14.09.631



»U-SEE« Single door lock
 Chrome Plated # 14.09.600
 Alu Finish # 14.09.601



»U-SEE« Hinge
 Chrome Plated # 15.06.290
 Alu Finish # 15.06.291



»U-SEE« Bottom striker
 double door
 Chrome Plated # 14.09.655
 Alu Finish # 14.09.656



»U-SEE« Bottom striker
 single door
 Chrome Plated # 14.09.650
 Alu Finish # 14.09.651



»U-SEE« Double door striker
 Chrome Plated # 14.09.610
 Alu Finish # 14.09.611



»U-SEE« Corner striker
 Chrome Plated # 14.09.660 f/4-5 mm glass
 Alu Finish # 14.09.661 f/4-5 mm glass
 Chrome Plated # 14.09.670 f/6-6,75 mm glass
 Alu Finish # 14.09.671 f/6-6,75 mm glass

»SEE-ME« HINGE GLASS TO GLASS



»SEE-ME« Hinge

Chrome Plated # 15.06.270
 Alu Finish # 15.06.271
 Black Anodized # 15.06.272

GLASS CONNECTORS »CONNECT«



Glass Connector 90°

Chrome Plated # 22.10.105
 Alu Finish # 22.10.106



Glass Connector
 3 way T- joint

Chrome Plated # 22.10.115
 Alu Finish # 22.10.116



Glass Connector
 4 way joint 90°

Chrome Plated # 22.10.125
 Alu Finish # 22.10.126



Glass Connector
 3 way closed T- joint

Chrome Plated # 22.10.135
 Alu Finish # 22.10.136



Glass Connector
 4 way closed joint 90°

Chrome Plated # 22.10.144
 Alu Finish # 22.10.145



- high quality furniture fittings

DESIGN REGISTERED

SISO A/S

Mileparken 11 Phone: (+45) 45 830 900
DK - 2740 Skovlunde Fax: (+45) 45 830 444 - 45 830 440
Denmark E-mail: siso@siso.dk Web: www.siso.dk